



US00D723039S

(12) **United States Design Patent**  
**Kang et al.**

(10) **Patent No.:** **US D723,039 S**  
(45) **Date of Patent:** **\*\* Feb. 24, 2015**

- (54) **CASE FOR PORTABLE TABLET PC**
- (71) Applicants: **Tae Won Kang**, Yangpyeong-gun (KR);  
**Yun Sang Nam**, Seoul (KR)
- (72) Inventors: **Tae Won Kang**, Yangpyeong-gun (KR);  
**Yun Sang Nam**, Seoul (KR)
- (\*\*) Term: **14 Years**
- (21) Appl. No.: **29/476,235**
- (22) Filed: **Dec. 12, 2013**
- (30) **Foreign Application Priority Data**

Jun. 12, 2013 (KR) ..... 30-2013-0030351

- (51) **LOC (10) Cl.** ..... **14-02**
- (52) **U.S. Cl.**  
USPC ..... **D14/440**

- (58) **Field of Classification Search**  
CPC ... G06F 1/1601; G06F 1/1626; G06F 1/1633;  
G06F 1/1675; G06F 1/1679; G02F 1/1306;  
G02F 1/133; G02F 1/133308; G02F 1/153;  
G02F 1/1533; G02F 2001/133317; H04M  
1/185; H04M 1/0252; H04B 1/3888  
USPC ..... D14/250, 251, 253, 240, 217, 496, 440,  
D14/203.3, 203.4, 203.5, 203.8, 341, 318;  
D3/218, 215, 201, 294, 289, 900;  
220/4.02; 248/309.1; 361/679.56;  
379/426, 433.11, 455; 455/575.1,  
455/575.8, 457.1; 190/100; 206/305, 320,  
206/45.2; D21/469; 312/240; D13/102,  
D13/101, 103, 107, 108, 199; 136/206, 243,  
136/244, 245, 252; 320/101, 102, 114, 115,  
320/120

See application file for complete search history.

(56) **References Cited**

**U.S. PATENT DOCUMENTS**

- D118,197 S \* 12/1939 Trussell ..... D19/26
- D323,348 S \* 1/1992 Tooker ..... D19/26

- D449,166 S \* 10/2001 Shapiro ..... D3/303
- 6,476,311 B1 \* 11/2002 Lee et al. .... 136/244
- D479,191 S \* 9/2003 Peress et al. .... D13/102
- D510,316 S \* 10/2005 Hayakawa ..... D13/102
- D600,699 S \* 9/2009 Johnston et al. .... D14/440
- D649,185 S \* 11/2011 Bakrania ..... D19/26
- D650,736 S \* 12/2011 Wharram ..... D13/102
- D652,373 S \* 1/2012 Sasada et al. .... D13/102
- D663,261 S \* 7/2012 Cheung ..... D13/102
- D663,262 S \* 7/2012 Cheung ..... D13/102
- 8,245,843 B1 \* 8/2012 Wu ..... 206/320
- D674,801 S \* 1/2013 Wharram ..... D14/440
- D678,293 S \* 3/2013 Meehan ..... D14/440
- D678,884 S \* 3/2013 Phillips et al. .... D14/440
- D684,978 S \* 6/2013 Phillips et al. .... D14/440
- D688,249 S \* 8/2013 Wharram ..... D14/440
- D688,250 S \* 8/2013 Phillips et al. .... D14/440
- 2010/0300909 A1 \* 12/2010 Hung ..... 206/320

\* cited by examiner

*Primary Examiner* — Cynthia Underwood

(74) *Attorney, Agent, or Firm* — Cantor Colburn LLP

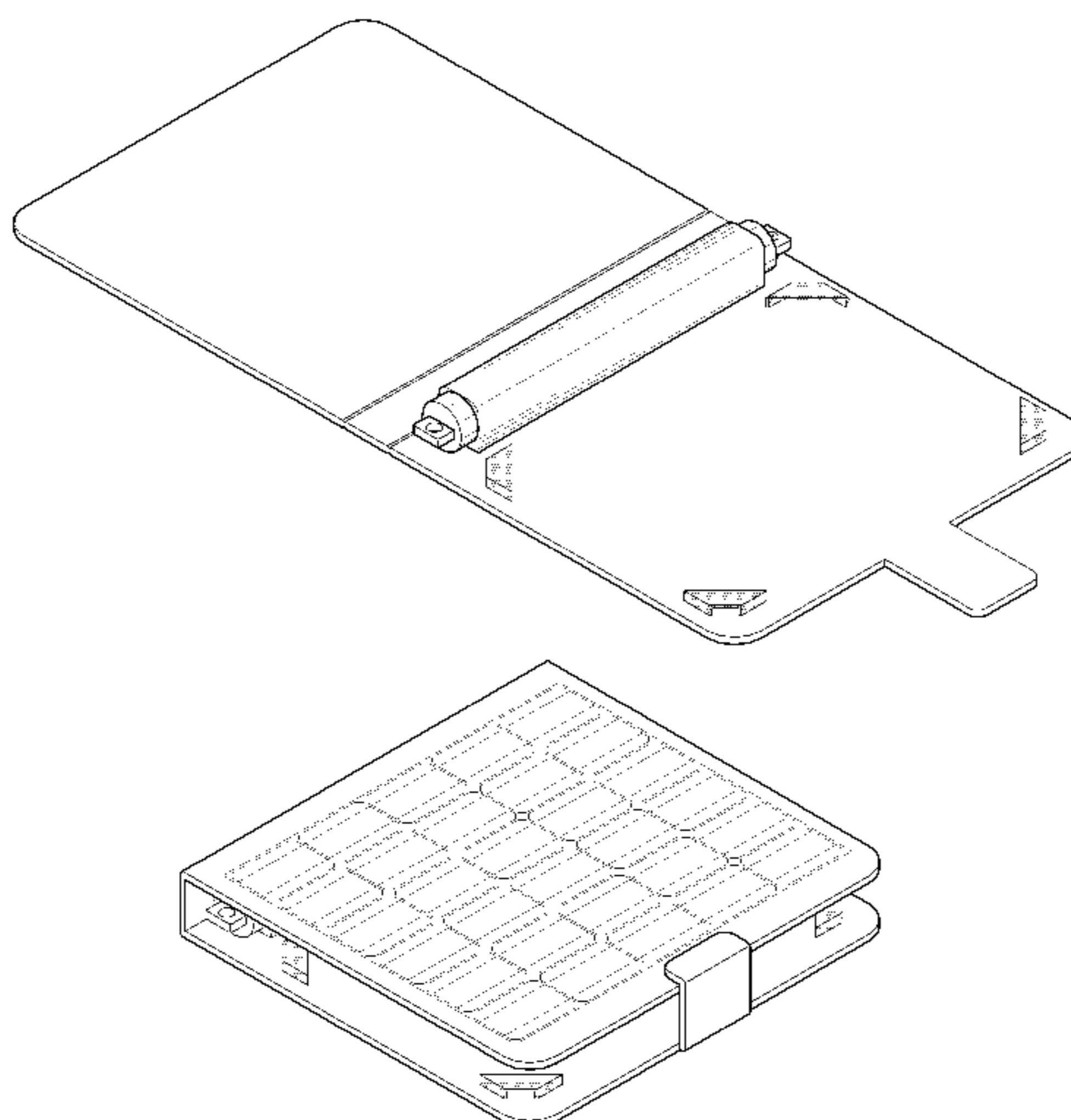
(57) **CLAIM**

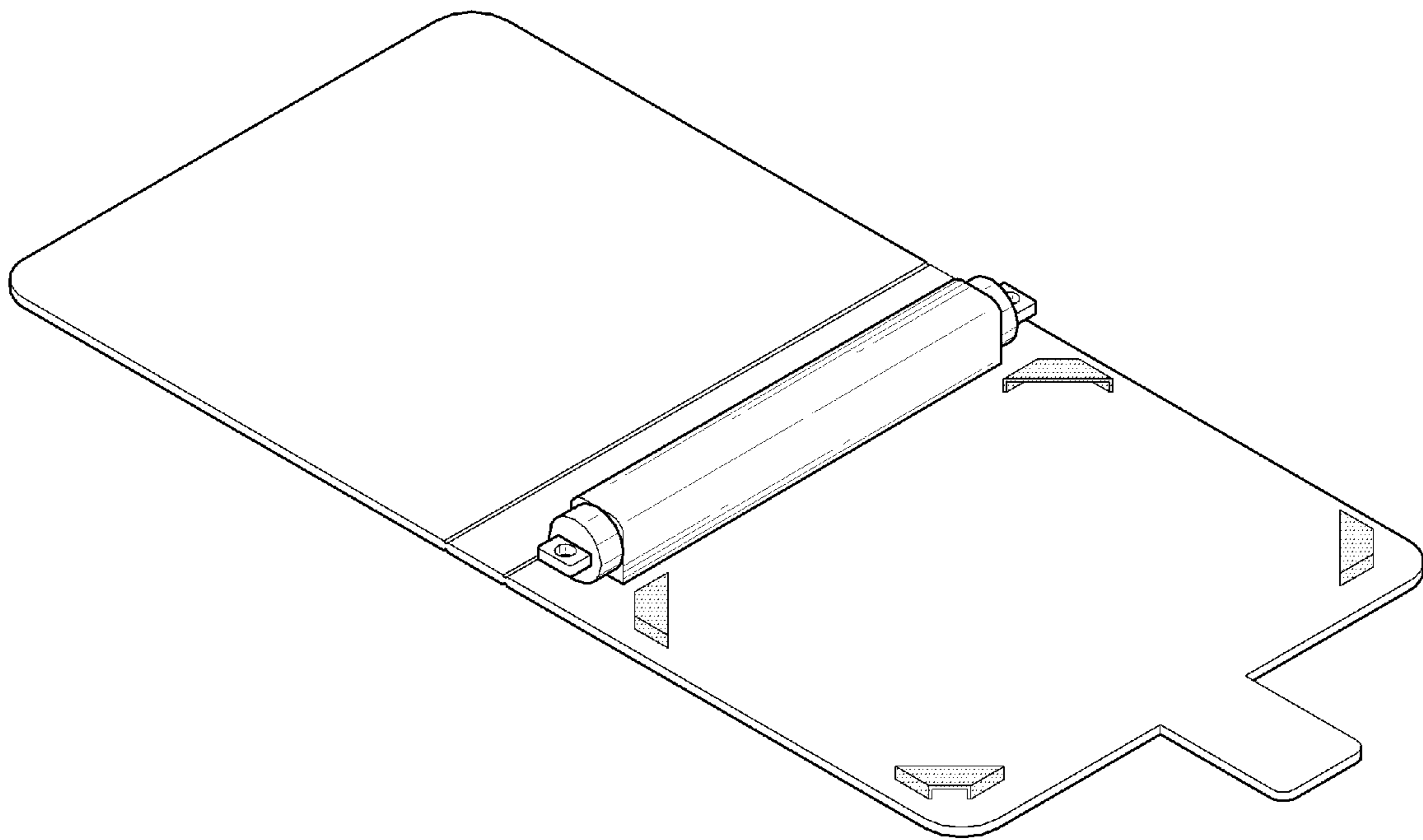
The ornamental design for a case for portable tablet PC, as shown and described.

**DESCRIPTION**

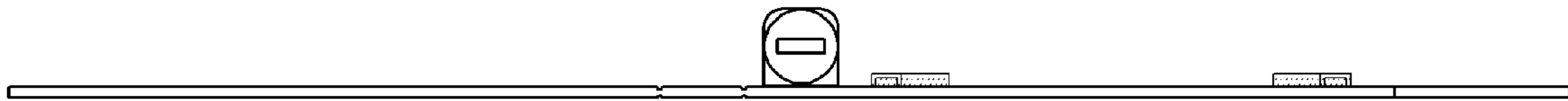
FIG. 1 is a perspective view of a case for portable tablet PC showing our new design;  
 FIG. 2 is a front view thereof;  
 FIG. 3 is a rear view thereof;  
 FIG. 4 is a left side view thereof;  
 FIG. 5 is a right side view thereof;  
 FIG. 6 is a top plan view thereof;  
 FIG. 7 is a bottom plan view thereof;  
 FIG. 8 is a perspective view thereof shown in a folded configuration of use; and,  
 FIG. 9 is a top plan view thereof shown in an environment of use.  
 The broken lines represent an environment of use and form no part of the claim.

**1 Claim, 7 Drawing Sheets**

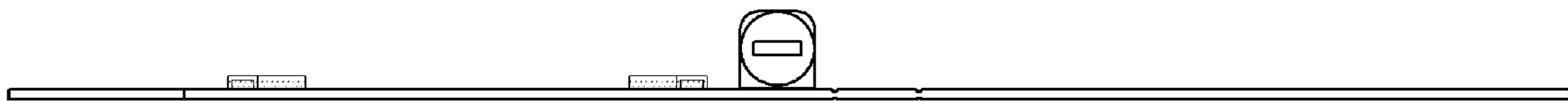




*FIG. 1*



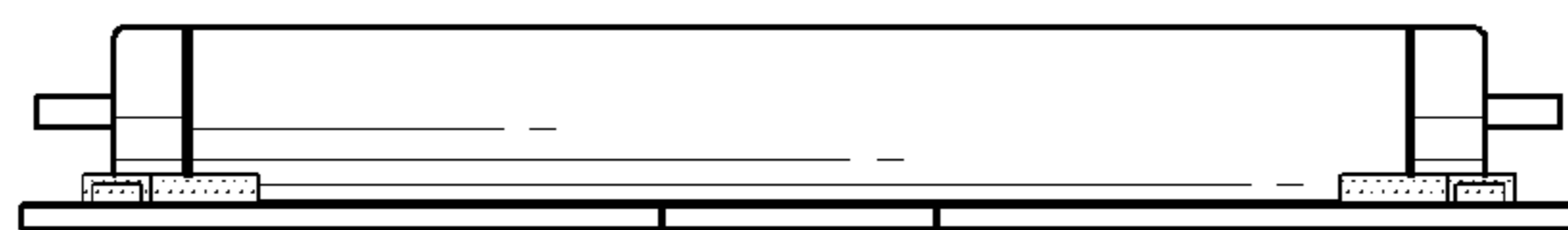
*FIG. 2*



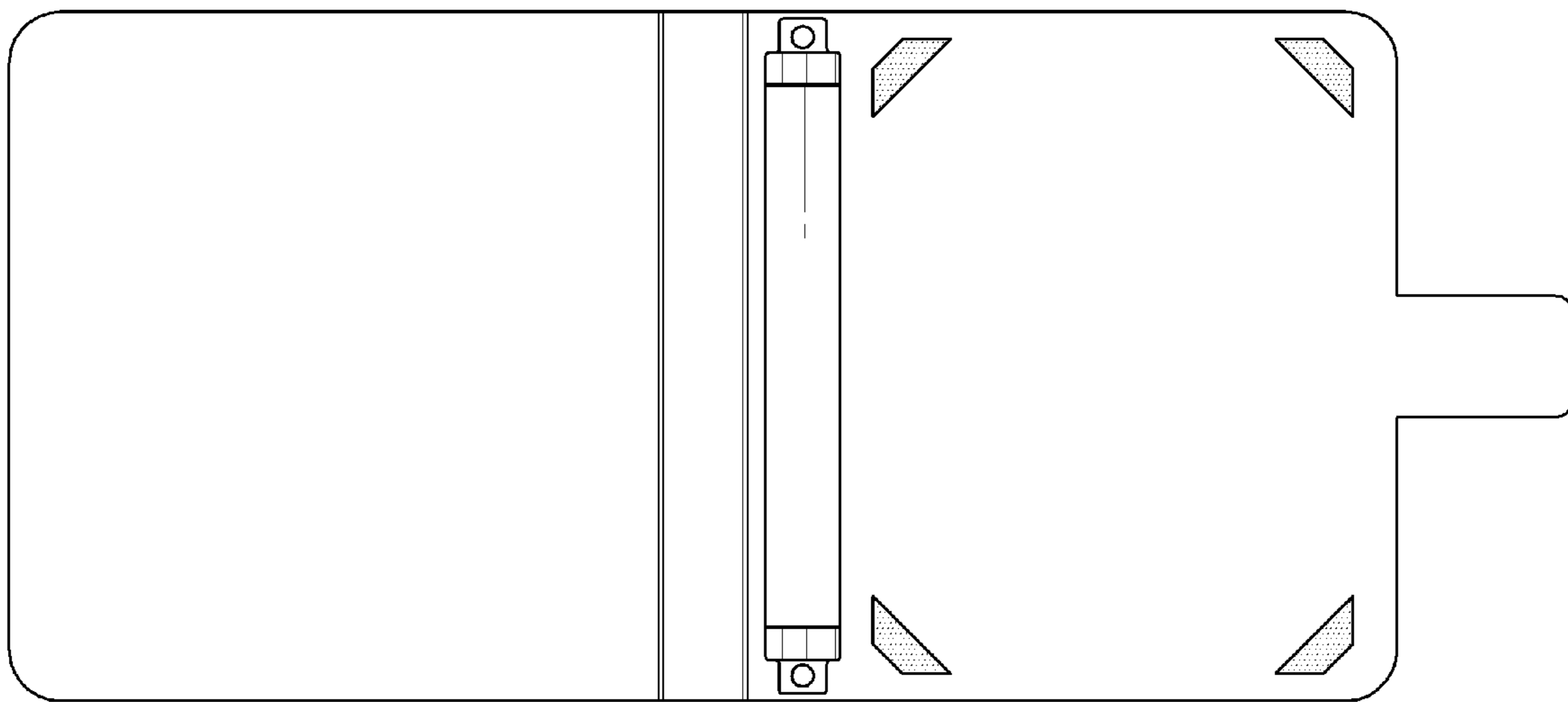
*FIG. 3*



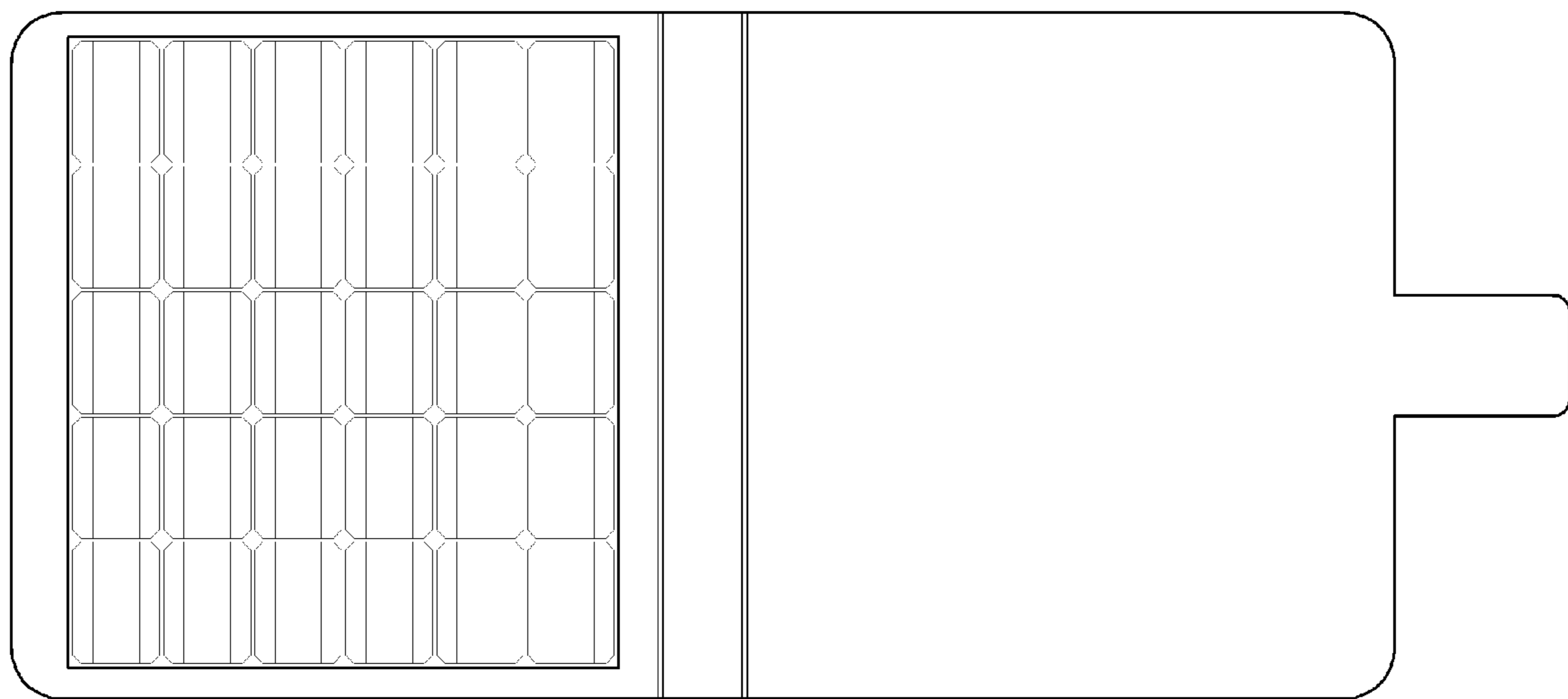
*FIG. 4*



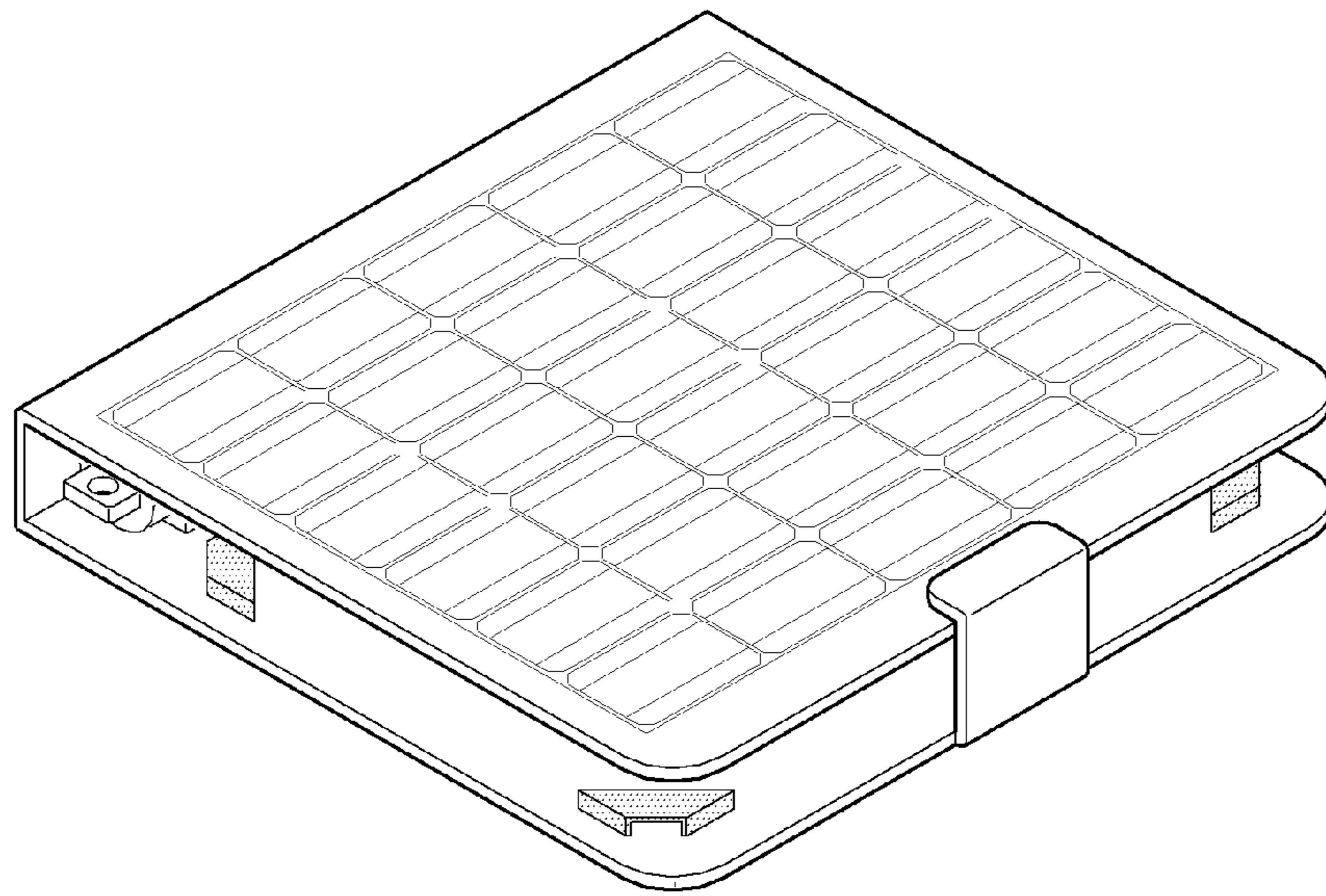
*FIG. 5*



*FIG. 6*



*FIG. 7*



*FIG.8*

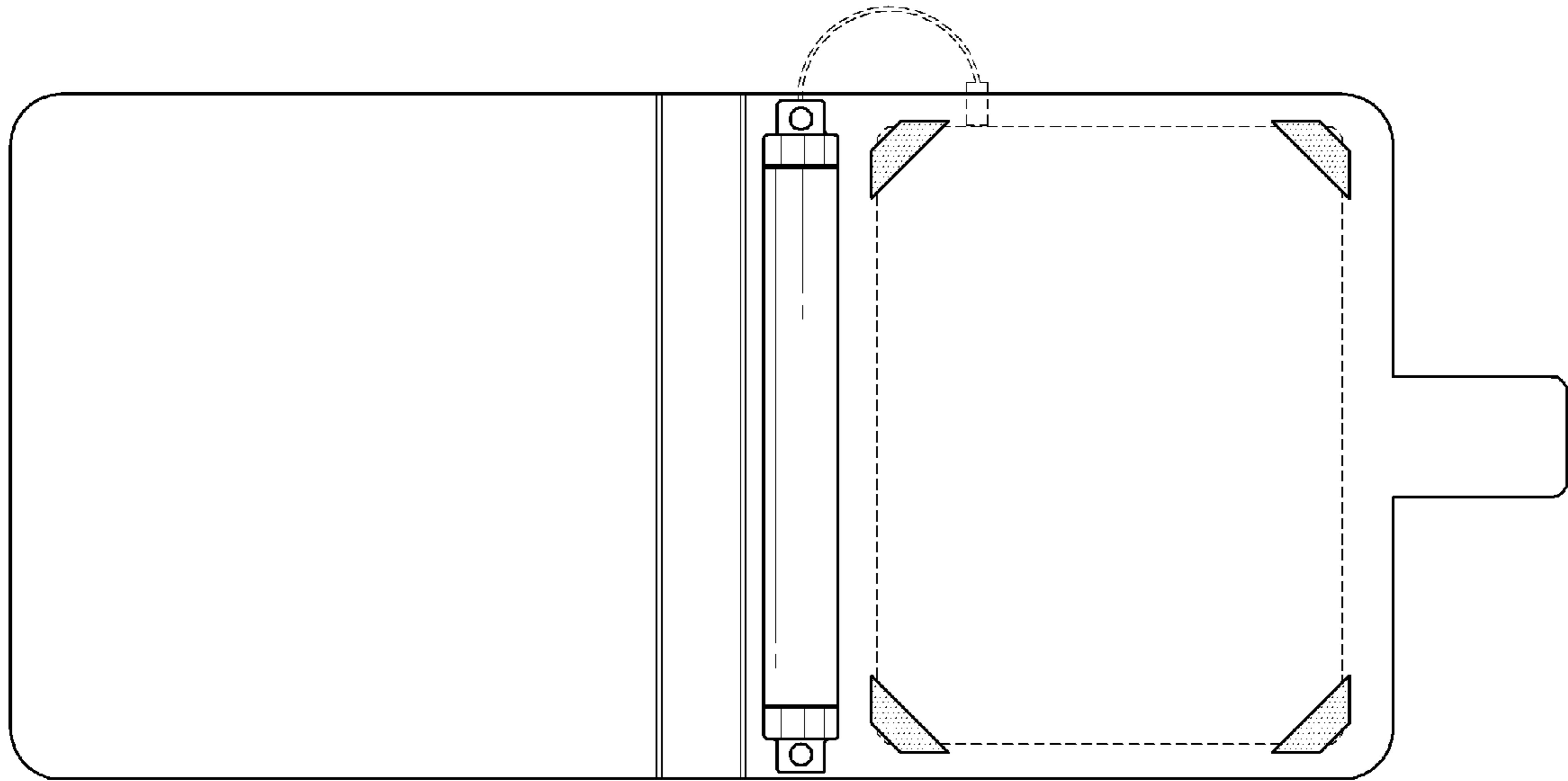


FIG.9