



US00D723036S

(12) **United States Design Patent**
Longo et al.

(10) **Patent No.:** **US D723,036 S**

(45) **Date of Patent:** **** Feb. 24, 2015**

(54) **STYLUS HOLDER**

(71) Applicant: **Microsoft Corporation**, Redmond, WA (US)

(72) Inventors: **Sheila A. Longo**, Seattle, WA (US); **Jan Raken**, Seattle, WA (US); **Young Soo Kim**, Seattle, WA (US); **David Lane**, Sammamish, WA (US)

(73) Assignee: **Microsoft Corporation**, Redmond, WA (US)

(**) Term: **14 Years**

(21) Appl. No.: **29/491,228**

(22) Filed: **May 19, 2014**

(51) **LOC (10) Cl.** **14-02**

(52) **U.S. Cl.**
USPC **D14/432**; D14/411

(58) **Field of Classification Search**
USPC D8/61; D14/411; D19/35, 36, 41-51, D19/54-58; 401/55, 99, 100, 104-107, 196, 401/197, 202, 208, 209, 213, 192, 195, 401/243; 708/107; 345/179, 173; 178/19.01; 700/94
See application file for complete search history.

(56) **References Cited**

U.S. PATENT DOCUMENTS

2,627,448	A *	2/1953	Horton	346/139 R
3,957,273	A *	5/1976	Bons	369/170
4,186,405	A *	1/1980	Pelensky et al.	346/140.1
5,215,237	A *	6/1993	Wu	224/230
6,527,442	B2 *	3/2003	Carroll	378/189
6,854,681	B2 *	2/2005	Kish	242/380
D584,313	S *	1/2009	Pittel et al.	D14/434
7,575,137	B1 *	8/2009	Lederer et al.	224/601
D616,447	S *	5/2010	Smith	D14/411
D639,808	S *	6/2011	Smith	D14/411

D662,500	S *	6/2012	OQuin	D14/411
D700,909	S *	3/2014	Bowser	D14/432
2005/0055861	A1 *	3/2005	McAnulty	40/654.01

* cited by examiner

Primary Examiner — Austin Murphy

(74) *Attorney, Agent, or Firm* — Banner & Witcoff, Ltd.

(57) **CLAIM**

The ornamental design for a stylus holder, as shown and described.

DESCRIPTION

FIG. 1 is a front isometric view of a stylus holder showing our new design;

FIG. 2 is a front view thereof;

FIG. 3 is a rear view thereof;

FIG. 4 is a left side view thereof;

FIG. 5 is a right side view thereof;

FIG. 6 is a top view thereof;

FIG. 7 is bottom view thereof;

FIG. 8 is a front isometric view of a stylus holder of FIGS. 1-7 showing features disclaimed;

FIG. 9 is a front view thereof;

FIG. 10 is a rear view thereof;

FIG. 11 is a left side view thereof;

FIG. 12 is a right side view thereof;

FIG. 13 is a top view thereof;

FIG. 14 is a bottom view thereof;

FIG. 15 is a front isometric view of a stylus holder of FIGS. 8-14 with the broken line features omitted for clarity;

FIG. 16 is a front view thereof;

FIG. 17 is a rear view thereof;

FIG. 18 is a left side view thereof;

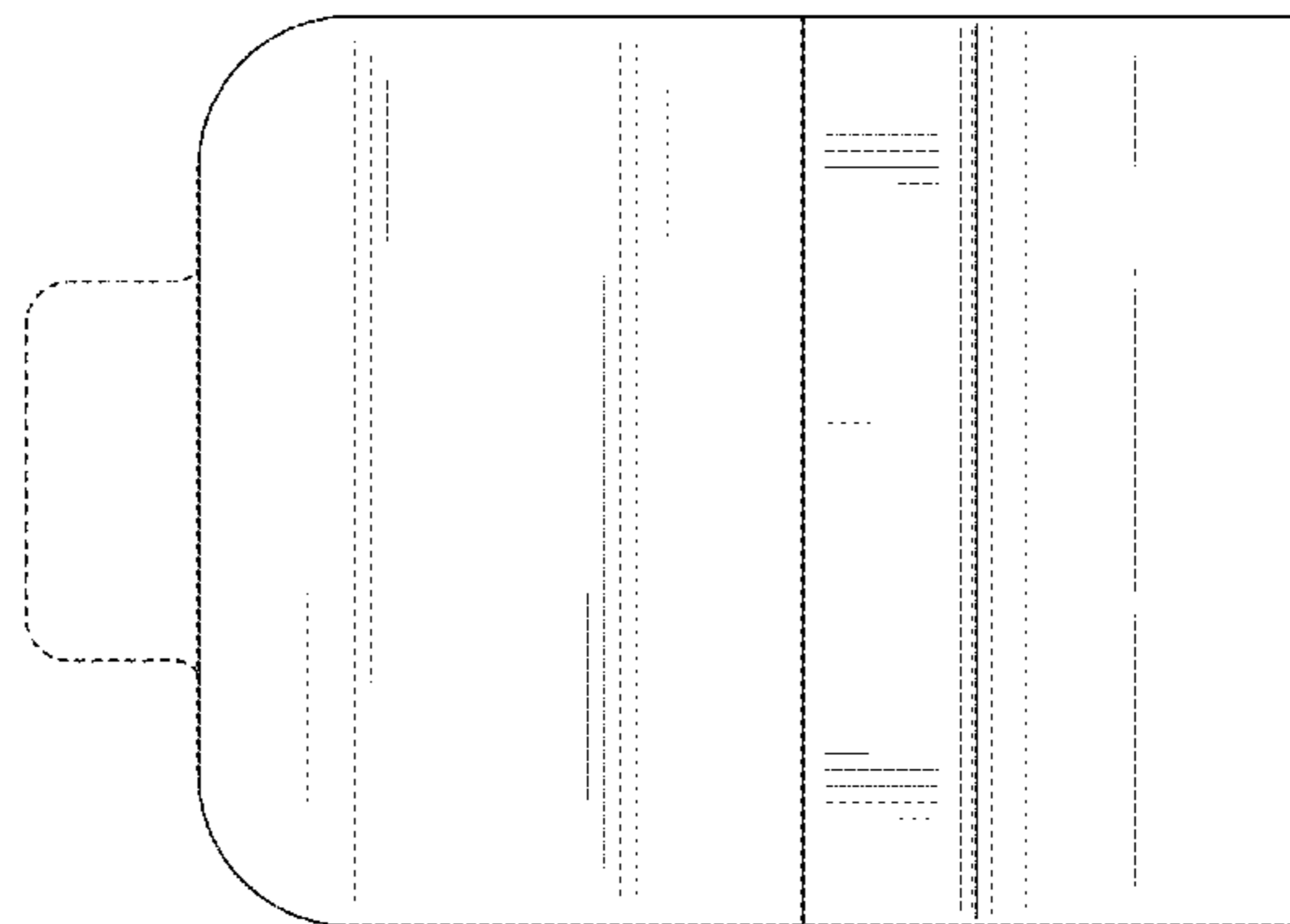
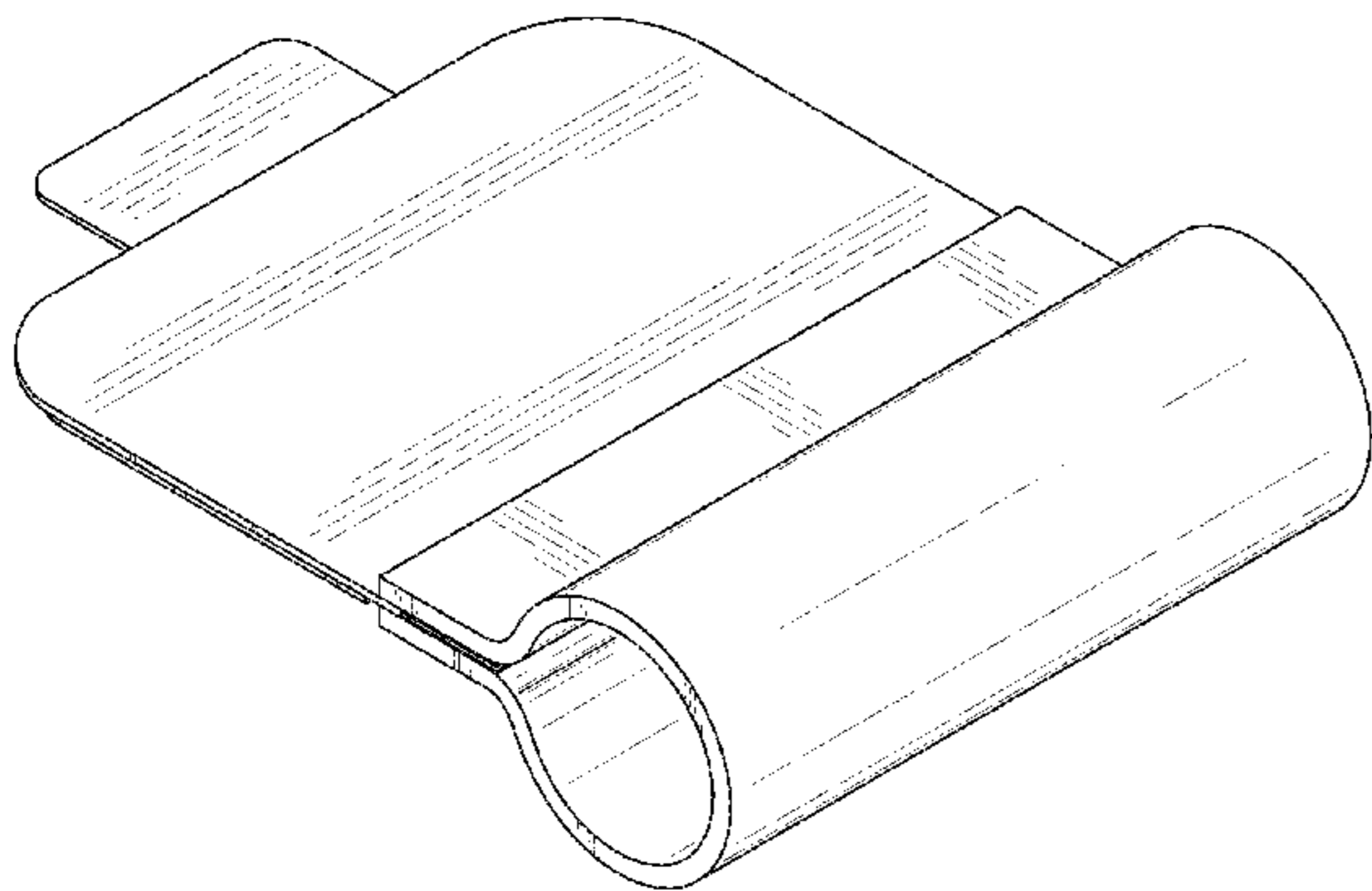
FIG. 19 is a right side view thereof;

FIG. 20 is a top view thereof; and,

FIG. 21 is a bottom view thereof.

The broken line showing of various features of the stylus holder in FIGS. 8-14 are for environmental purposes only and form no part of the claimed design.

1 Claim, 15 Drawing Sheets



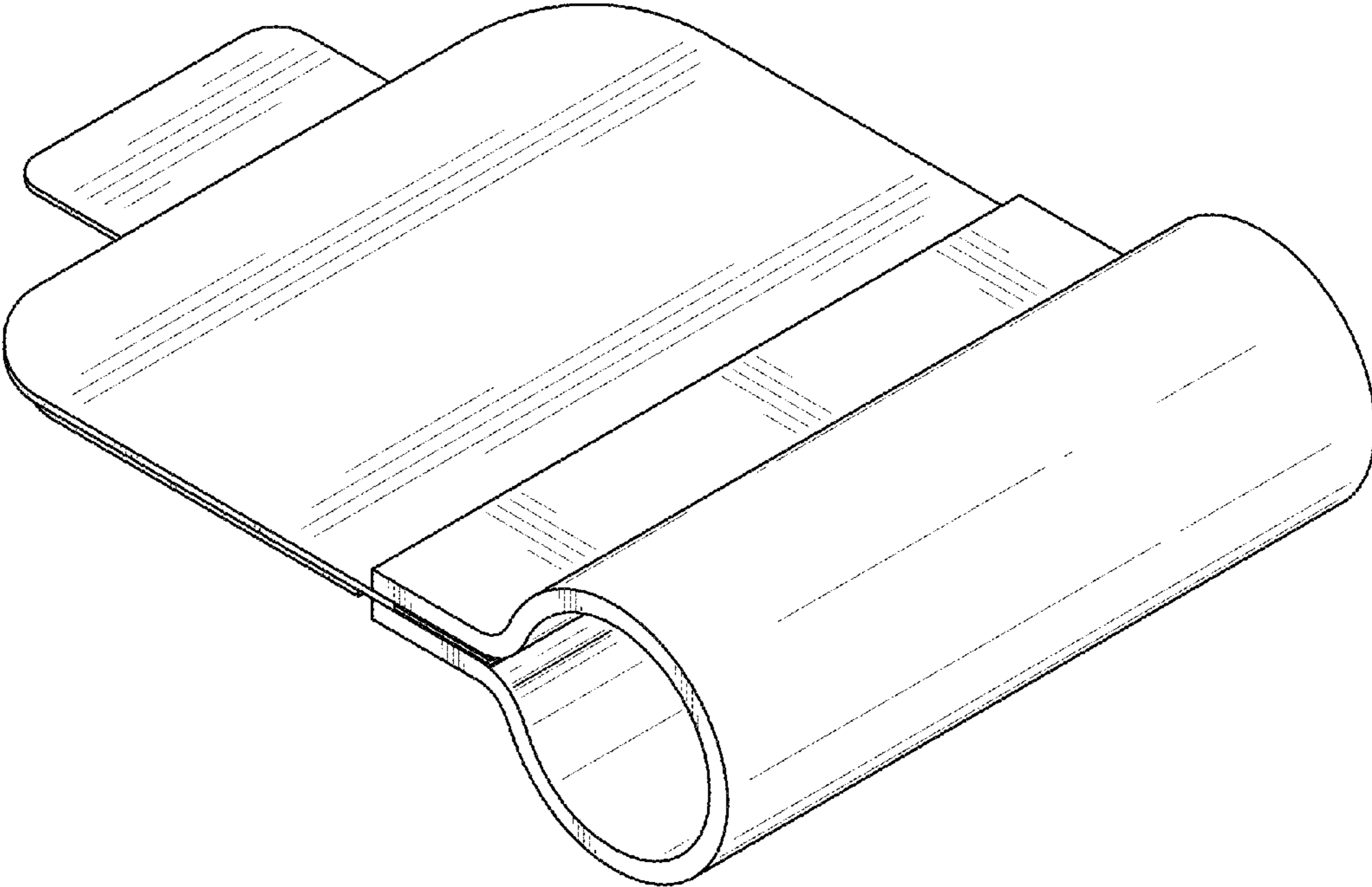


FIG. 1

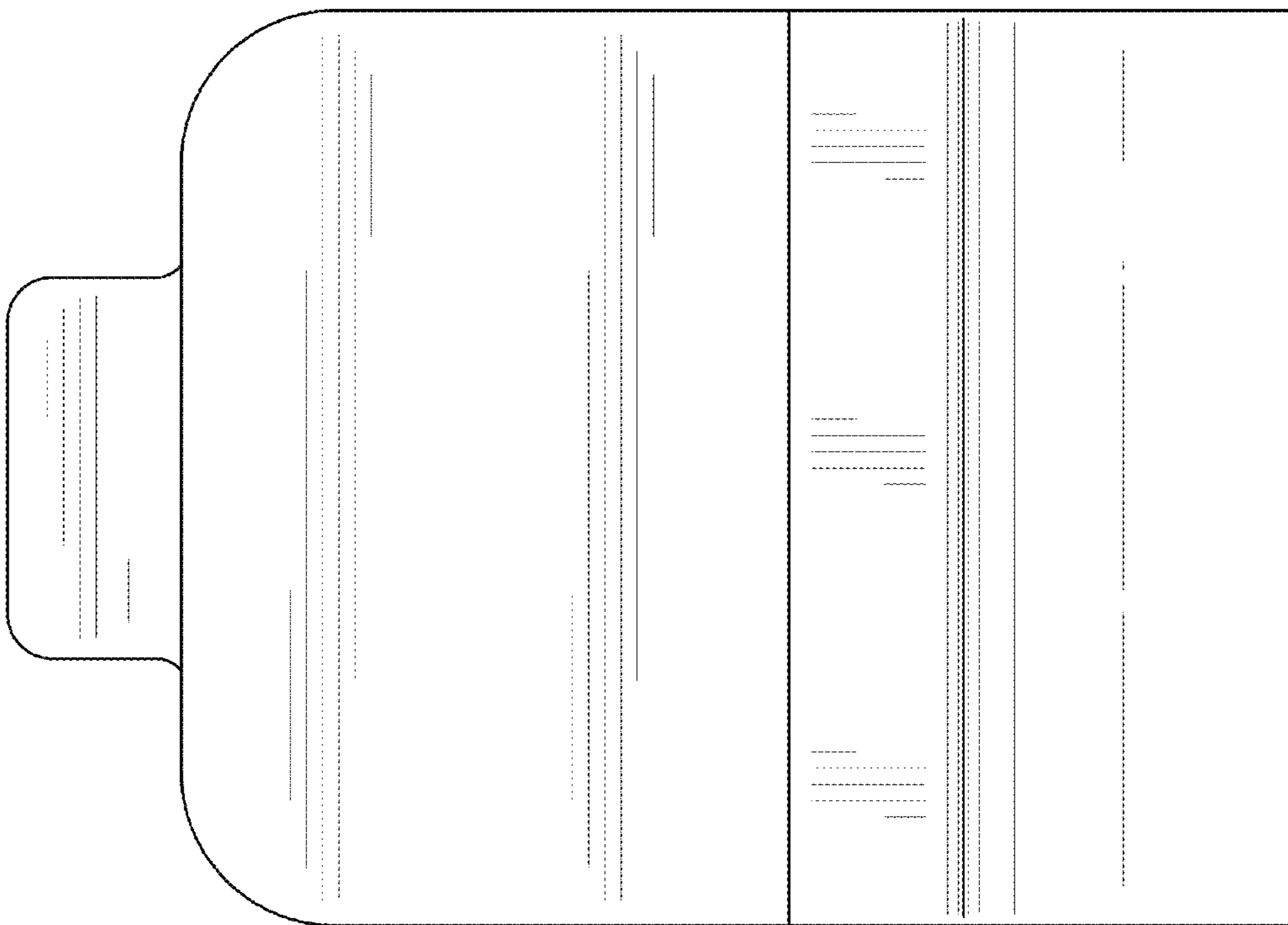


FIG. 2

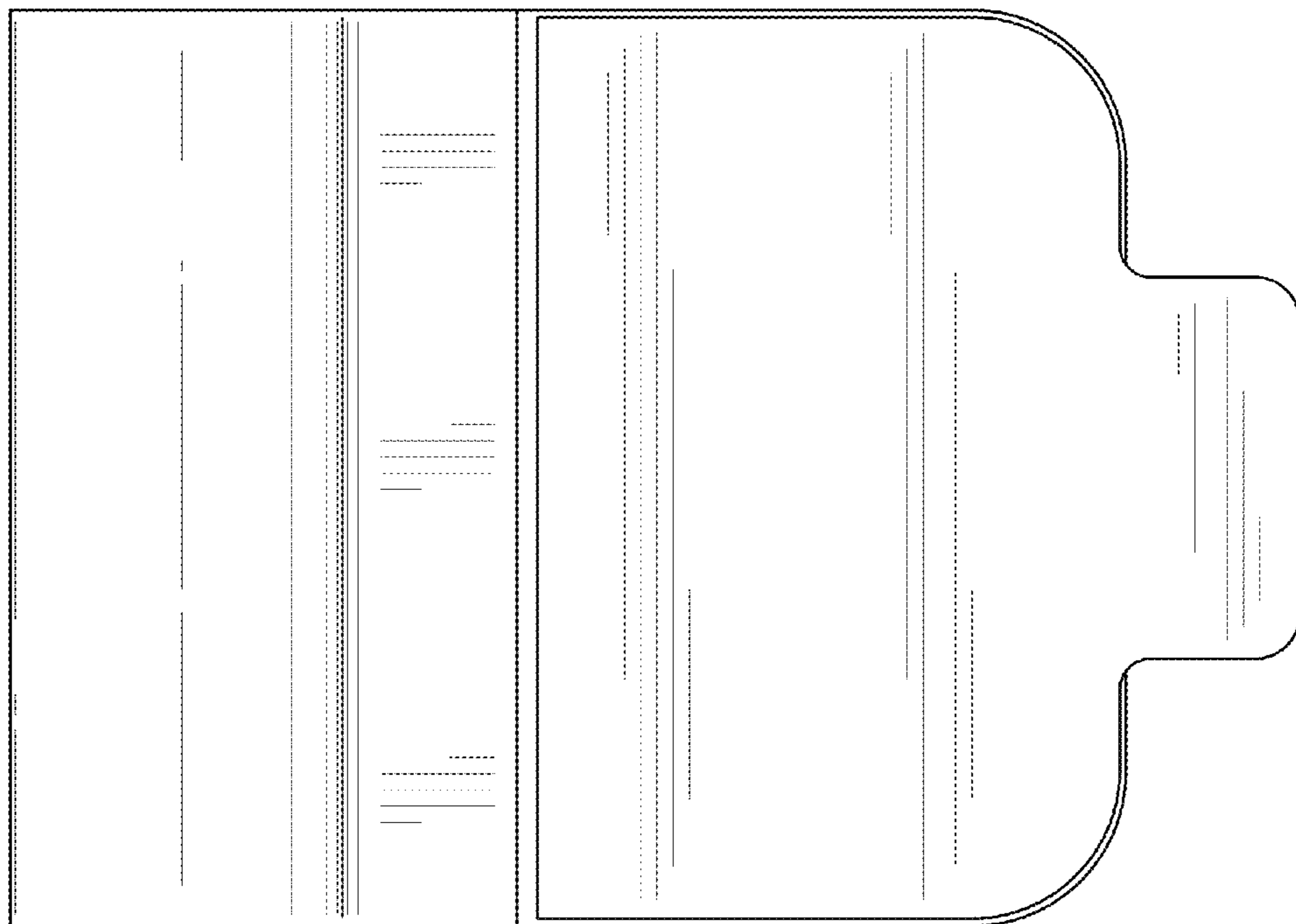


FIG. 3

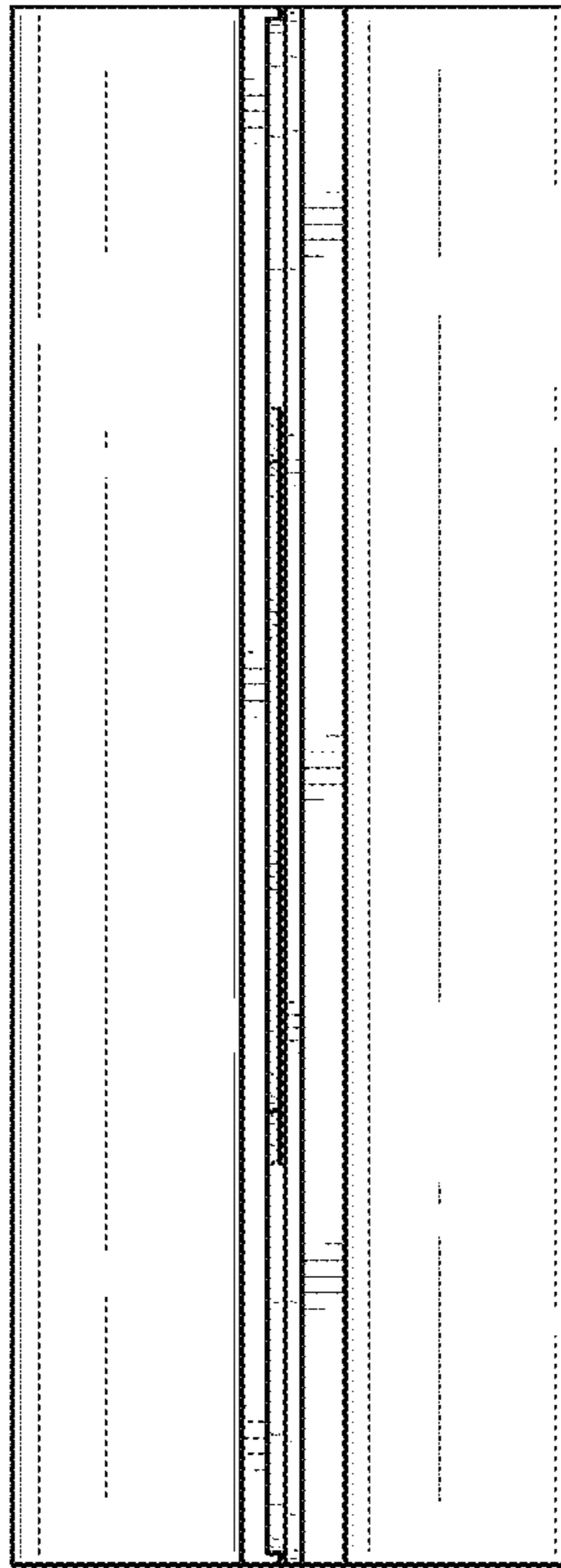


FIG. 4

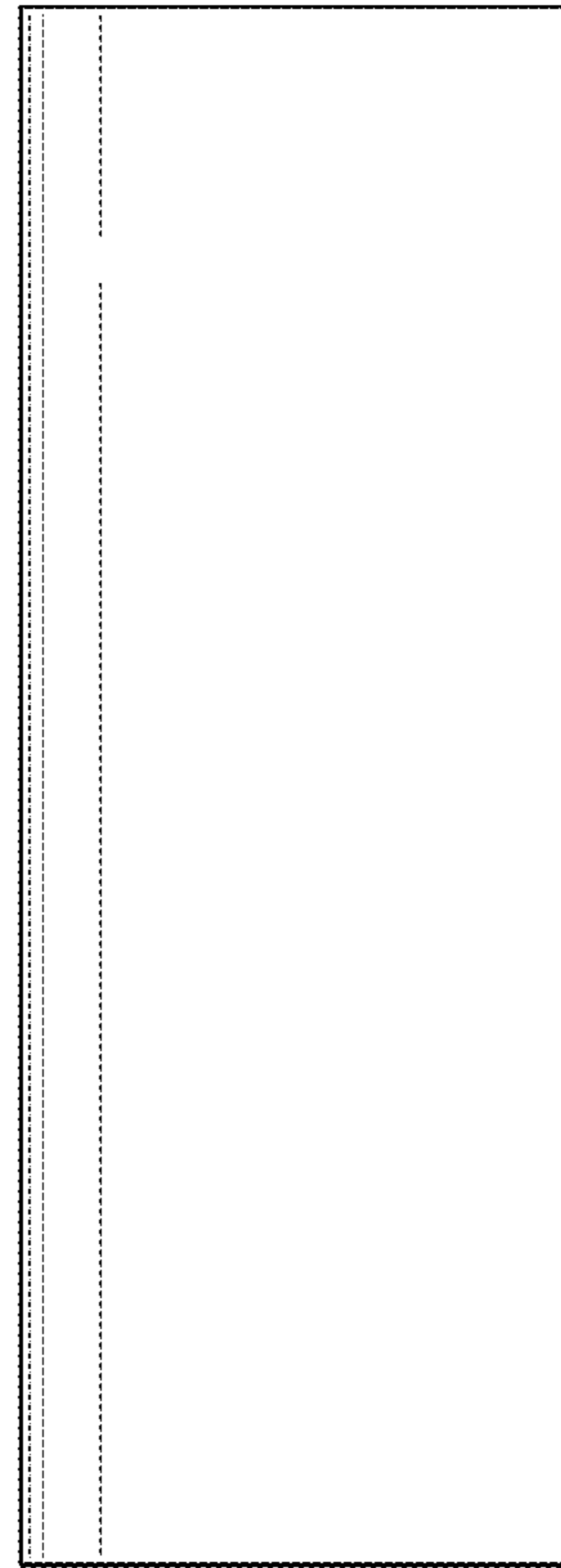


FIG. 5

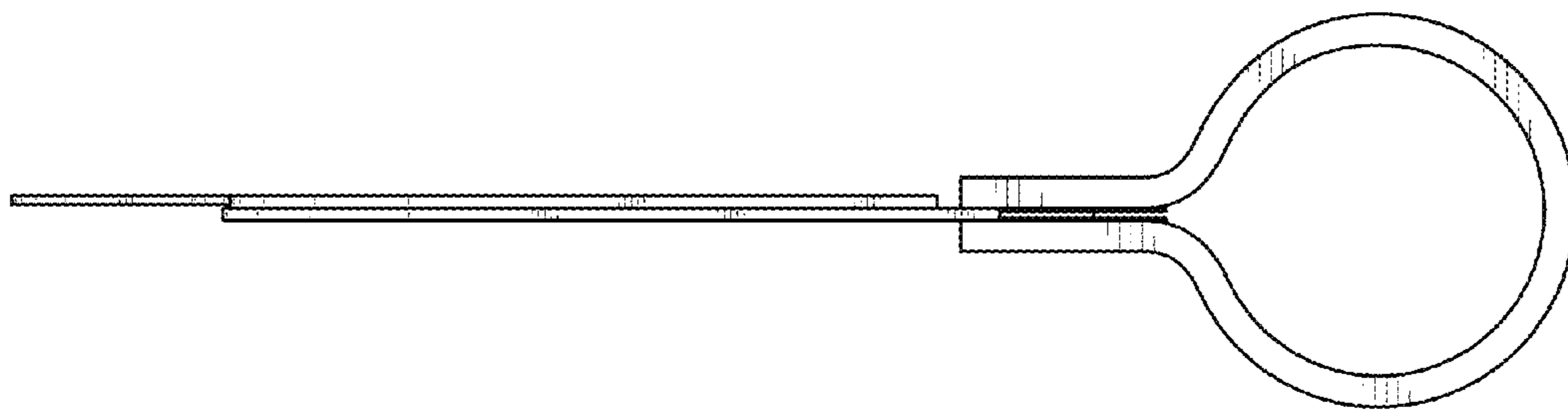


FIG. 6

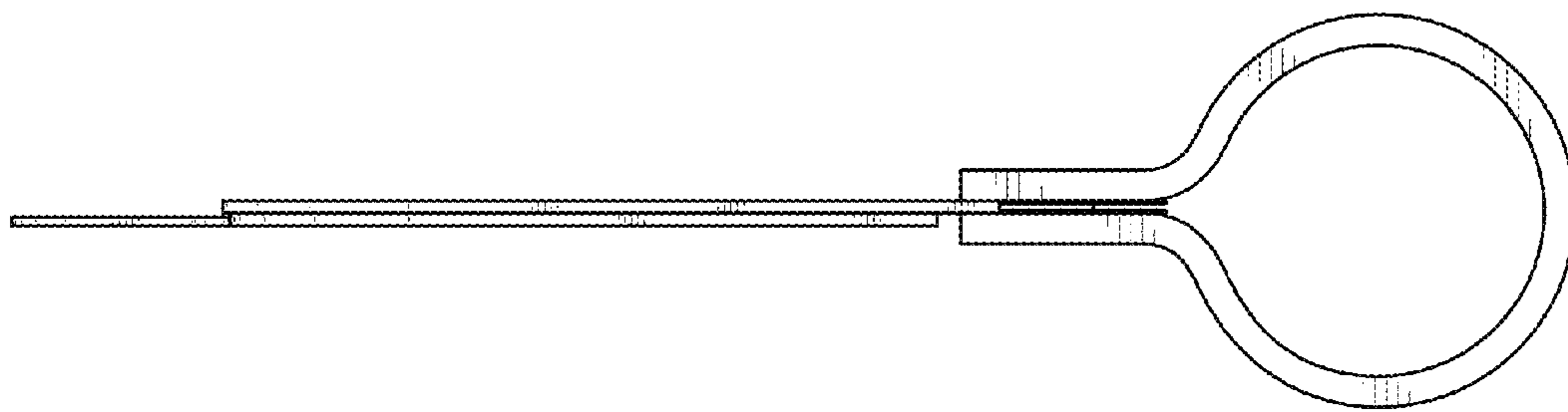


FIG. 7

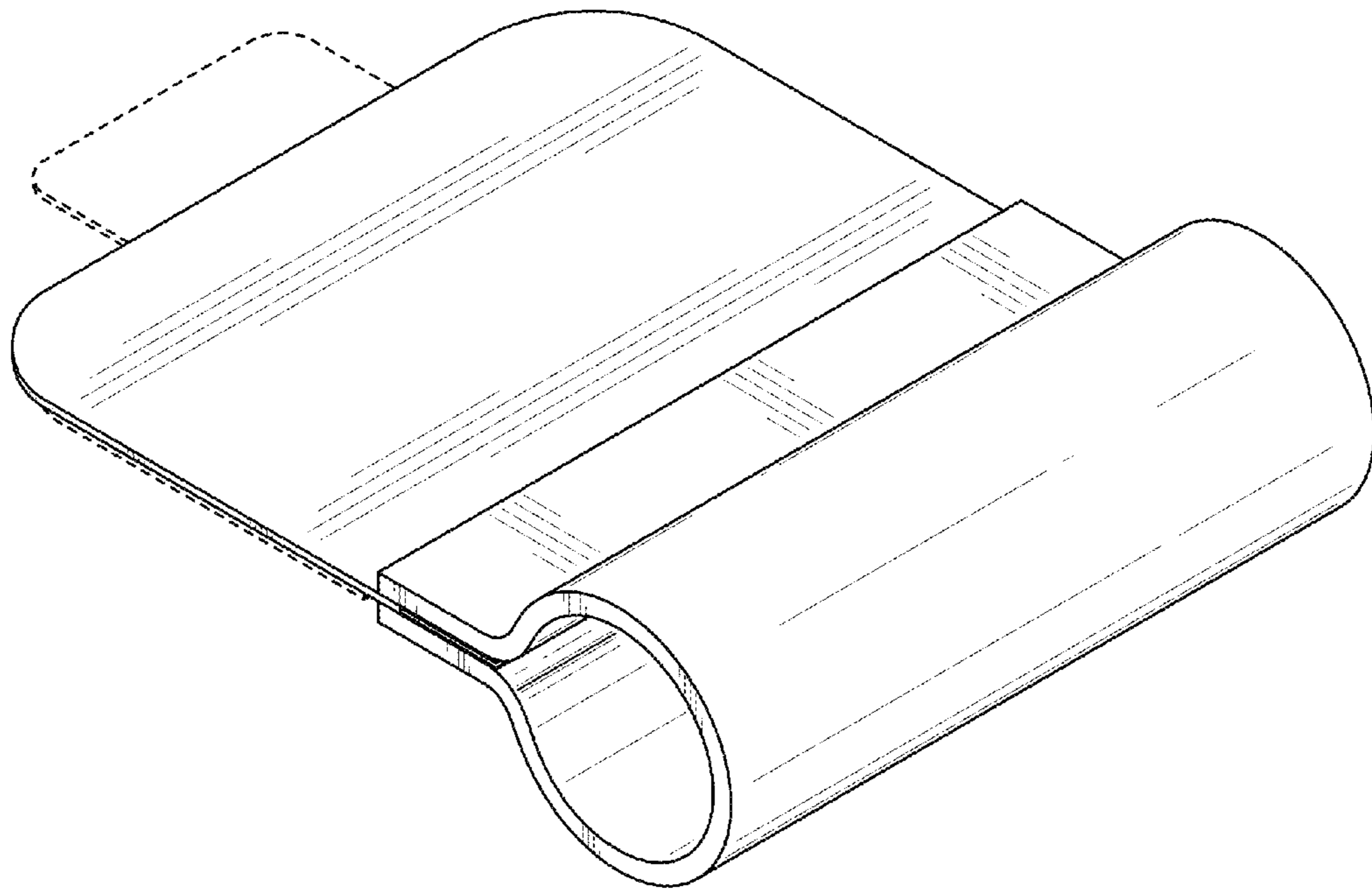


FIG. 8

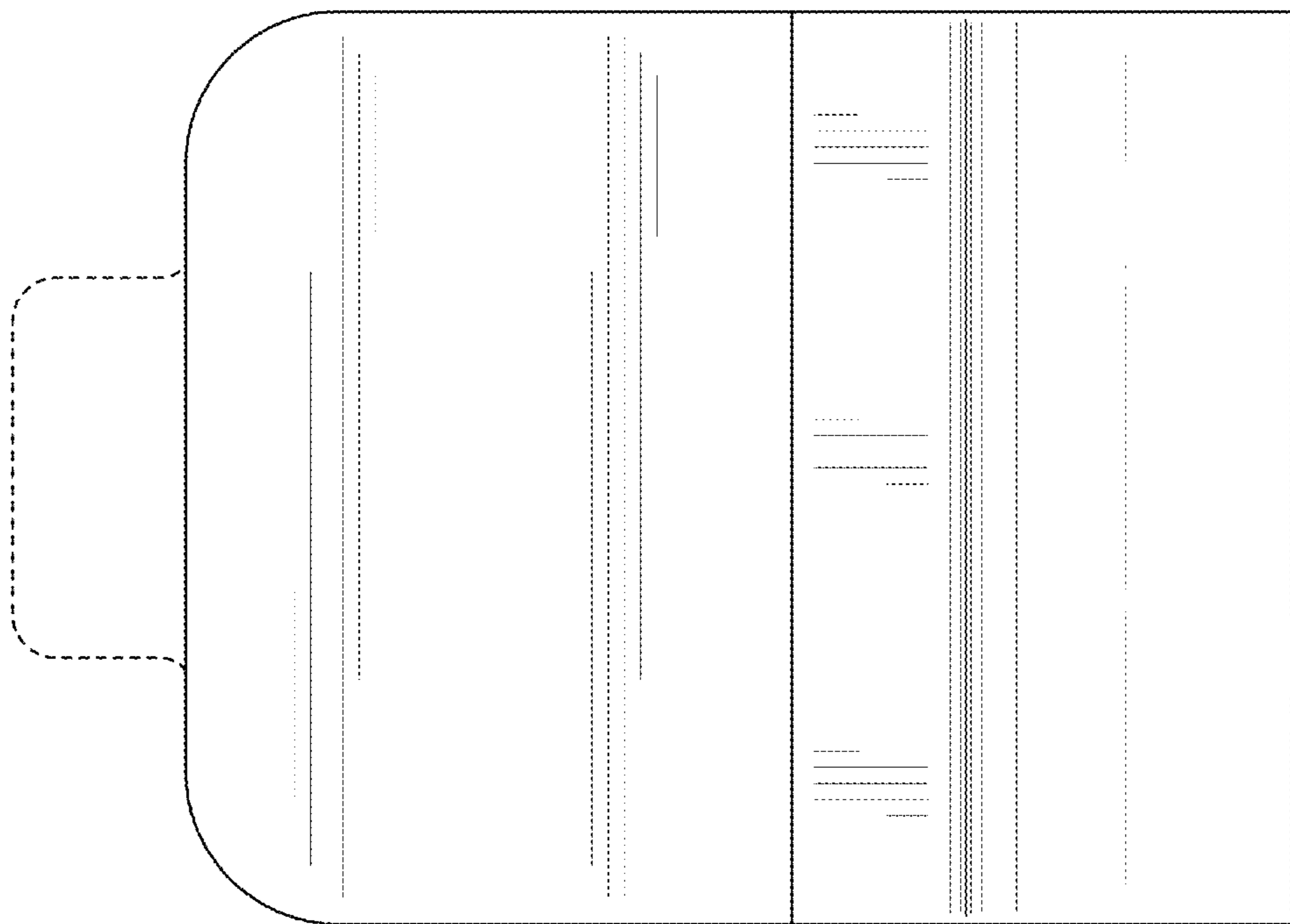


FIG. 9

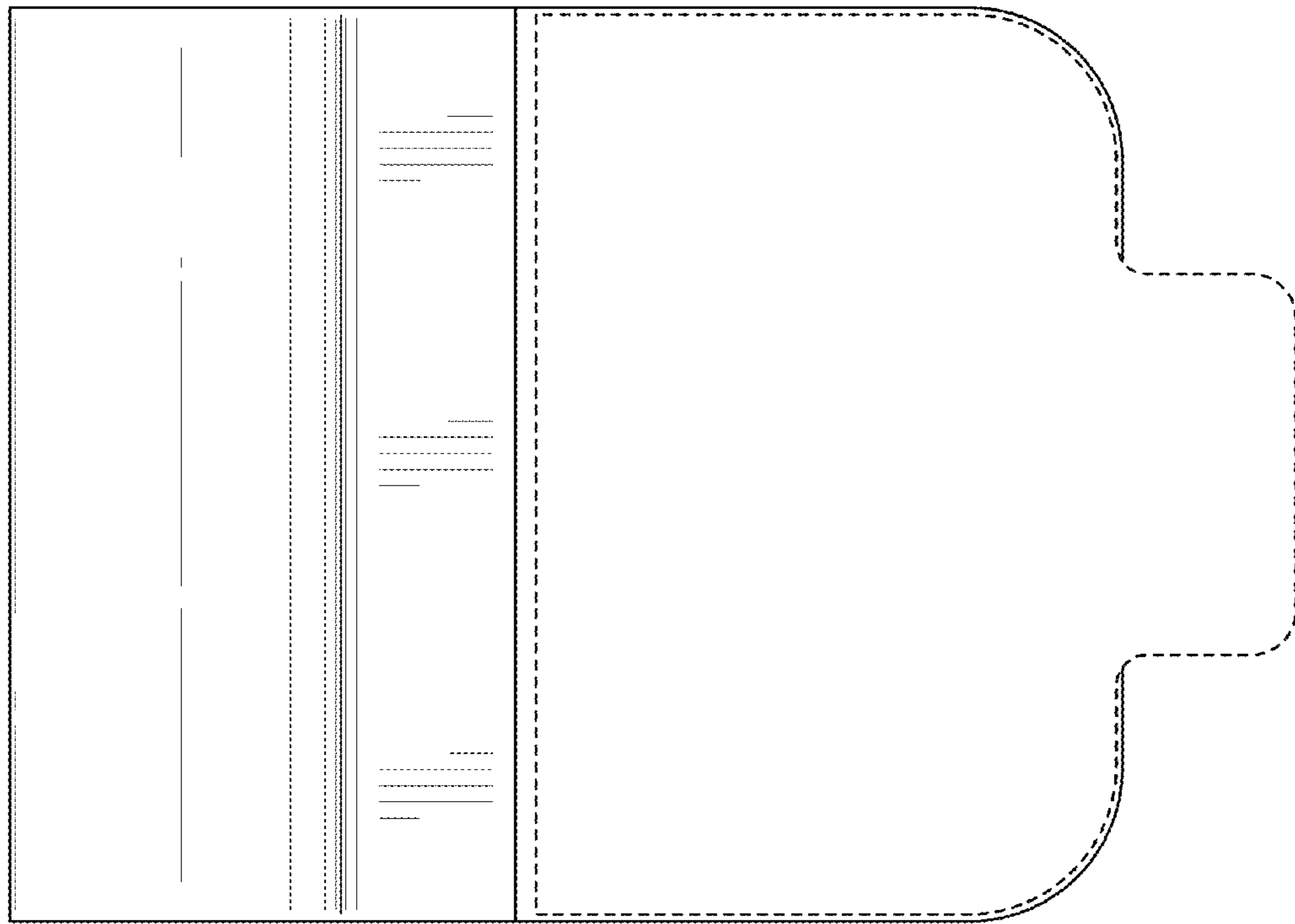


FIG. 10

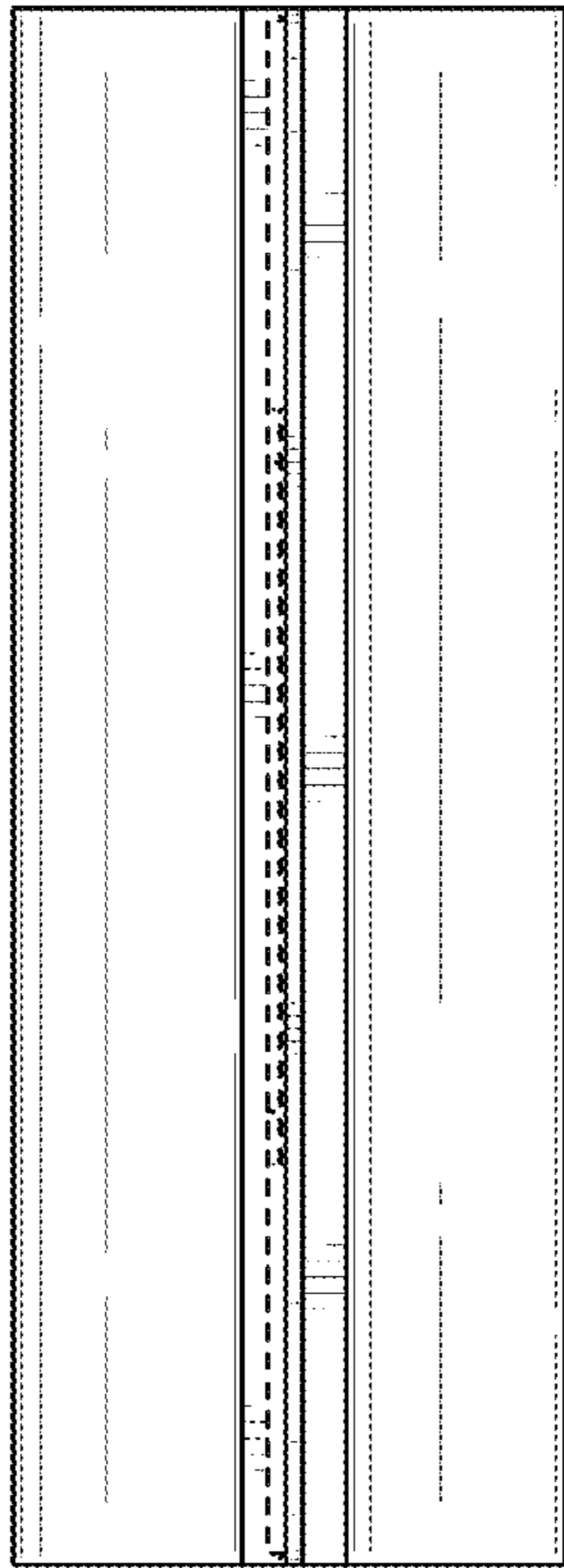


FIG. 11

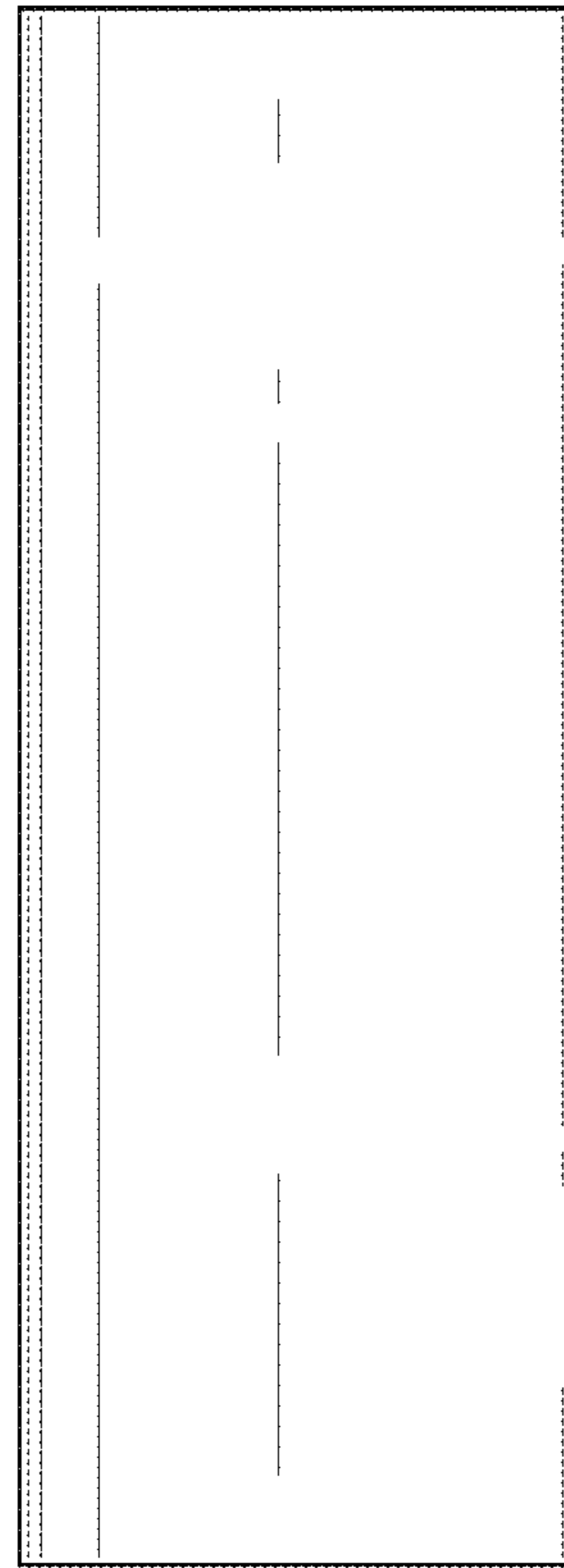


FIG. 12

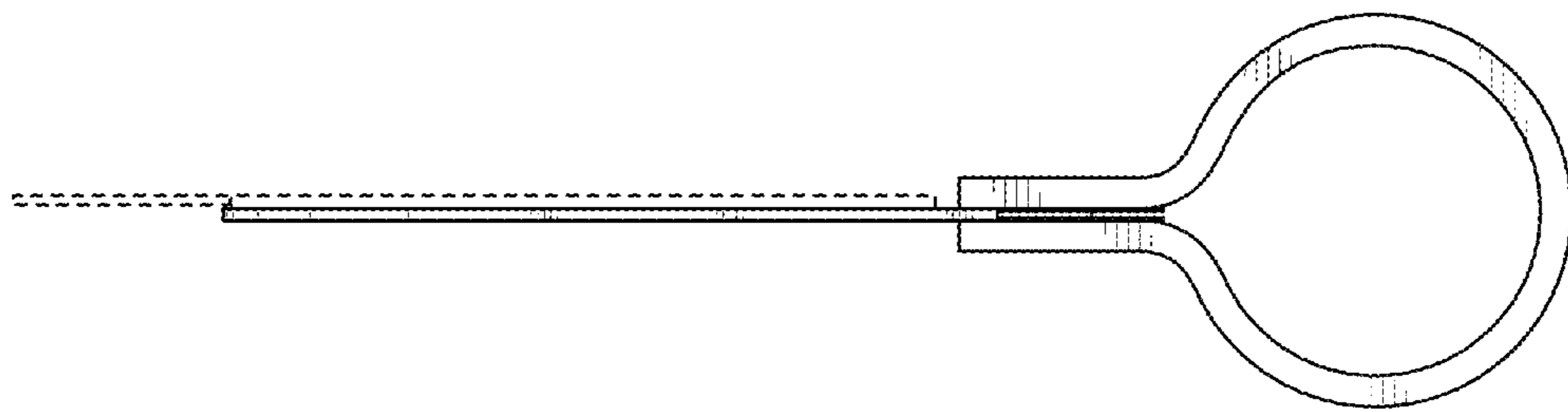


FIG. 13

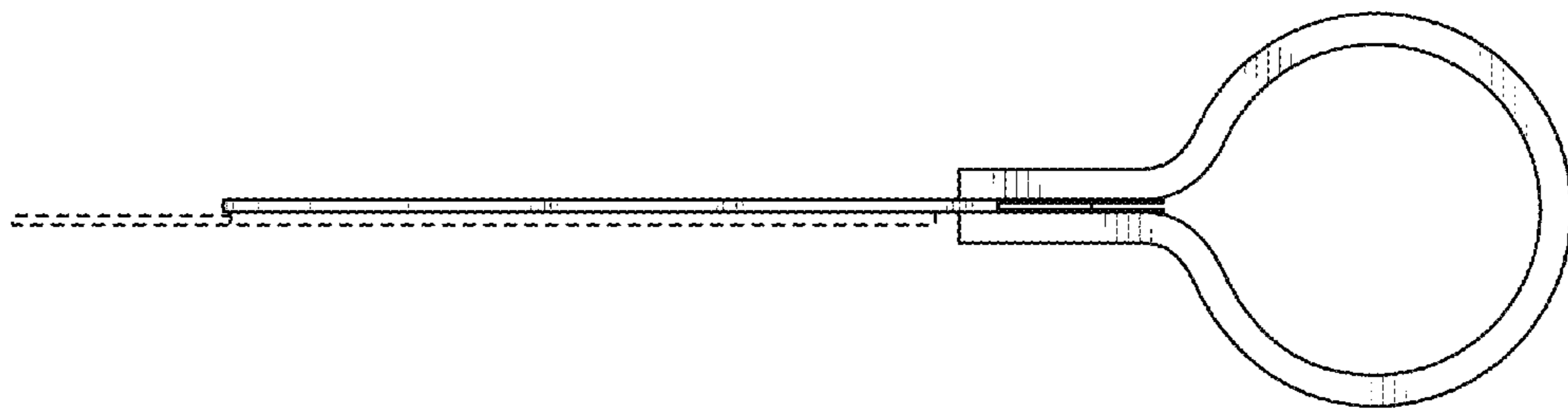


FIG. 14

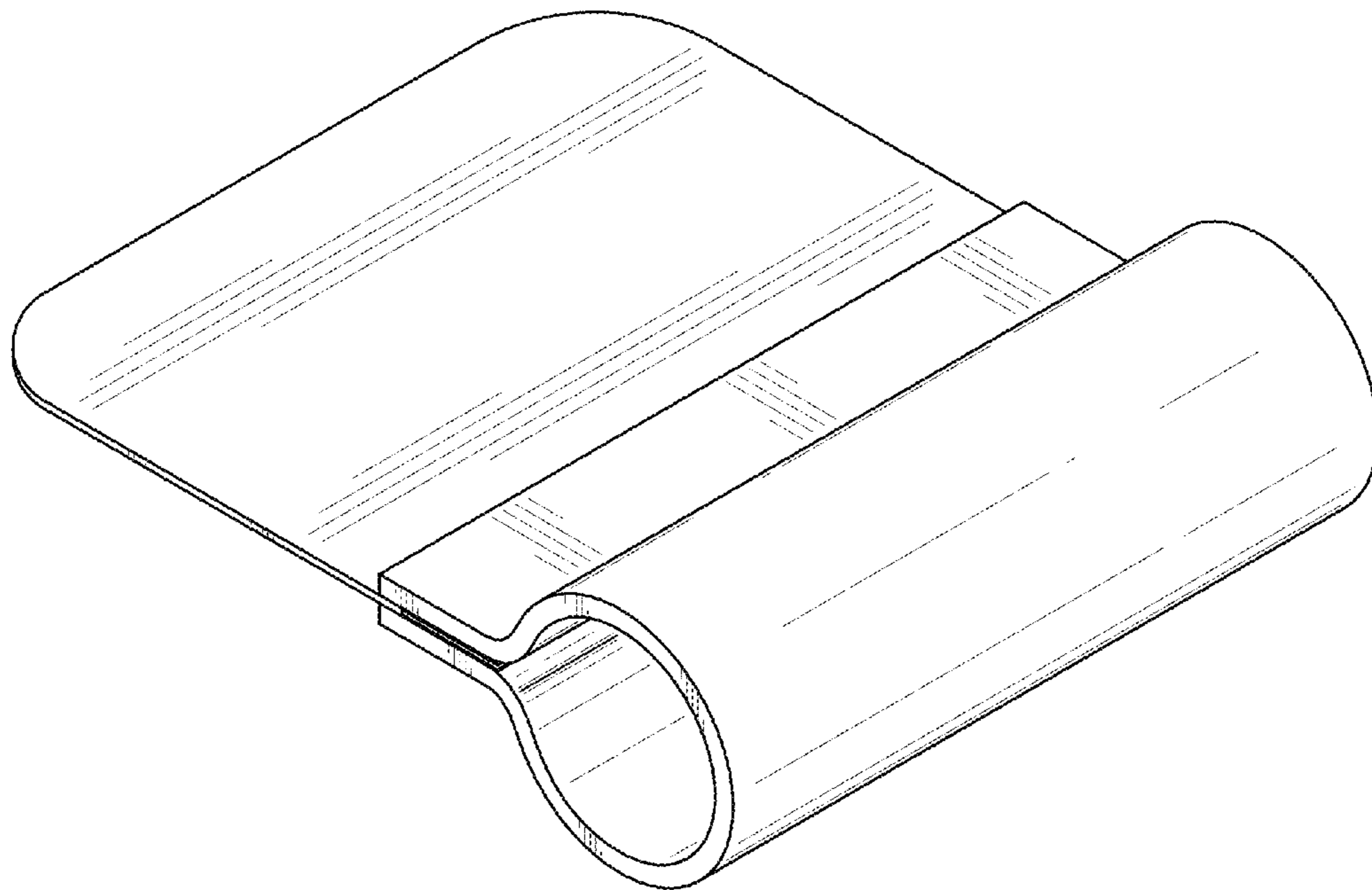


FIG. 15

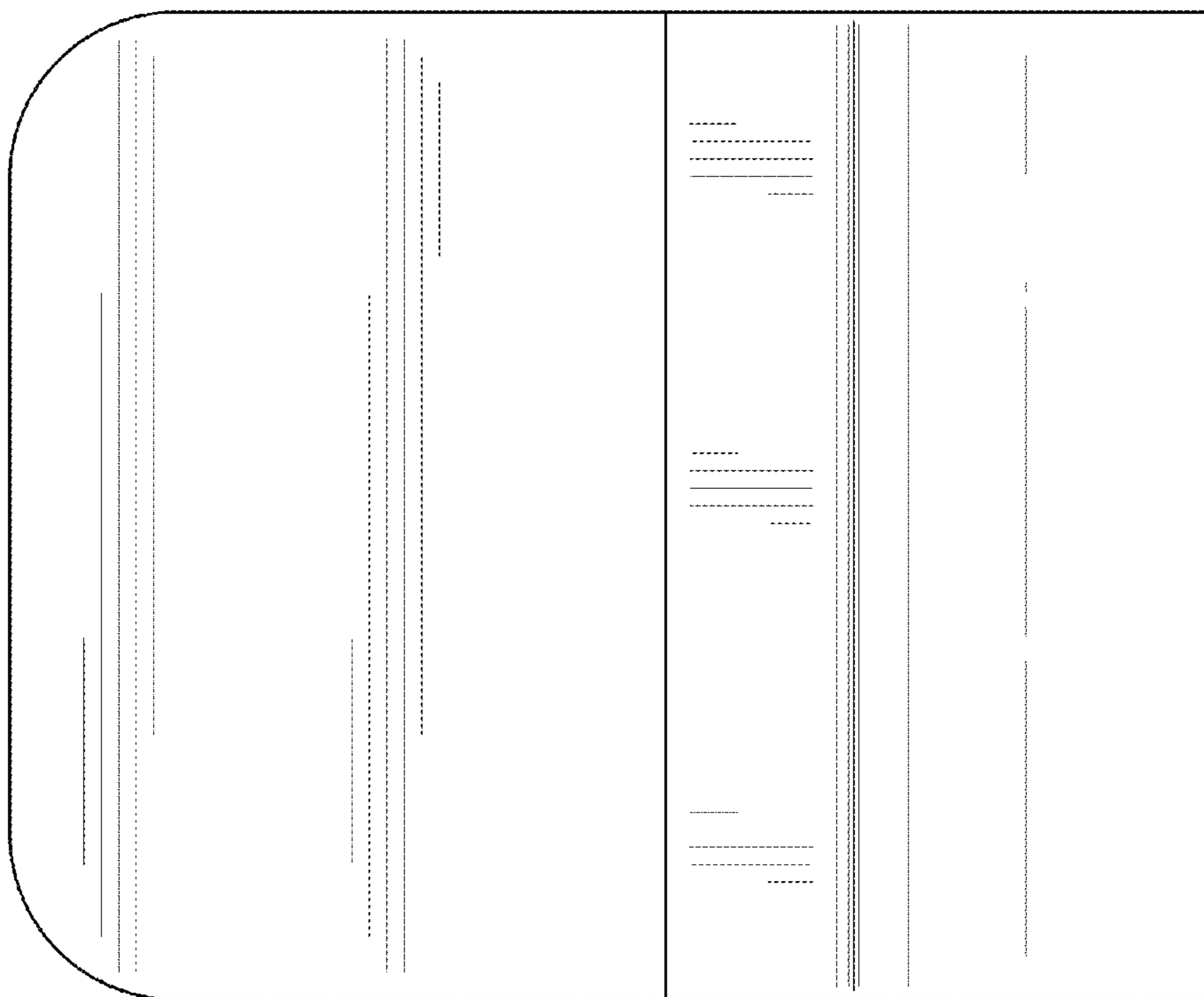


FIG. 16

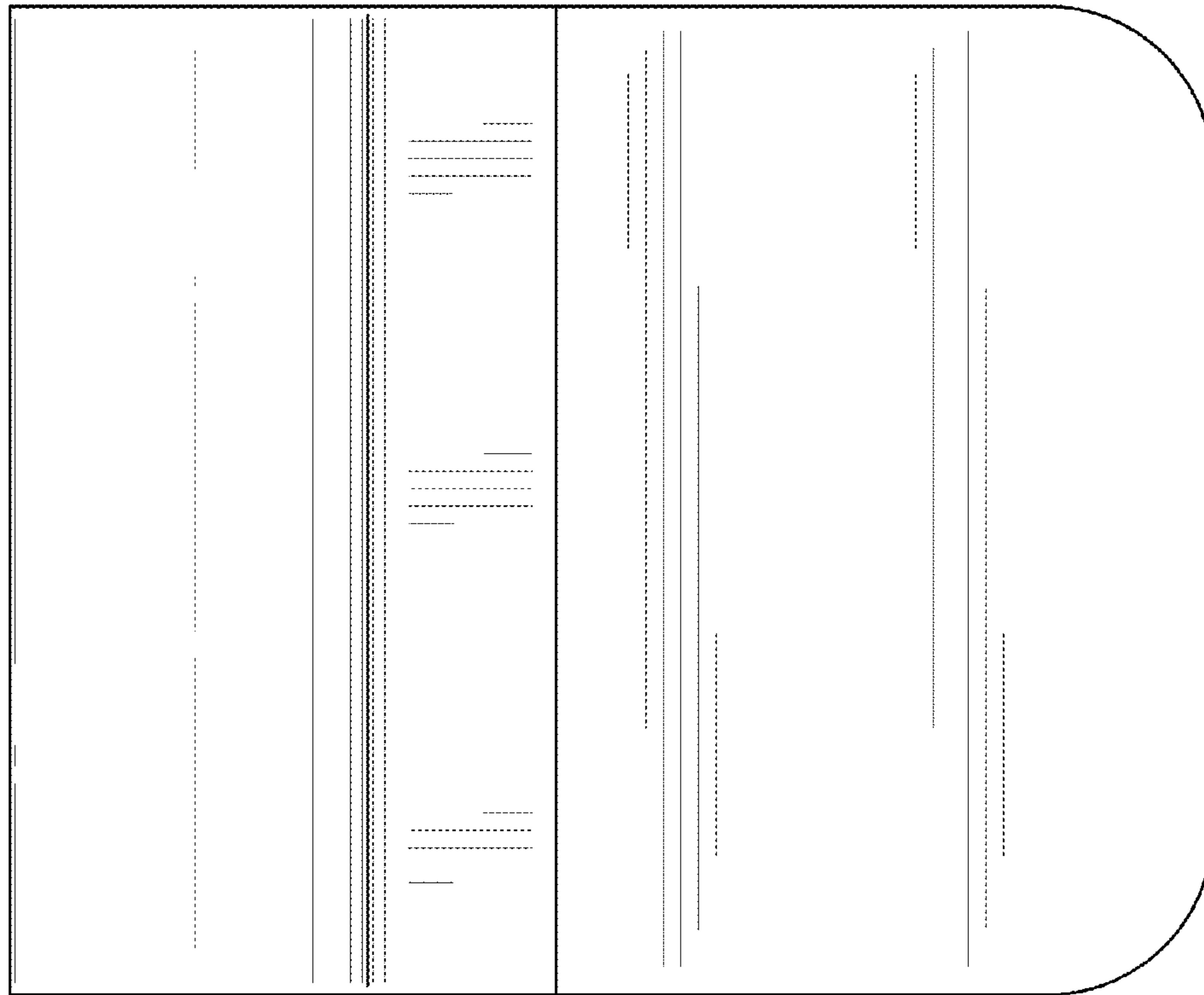


FIG. 17

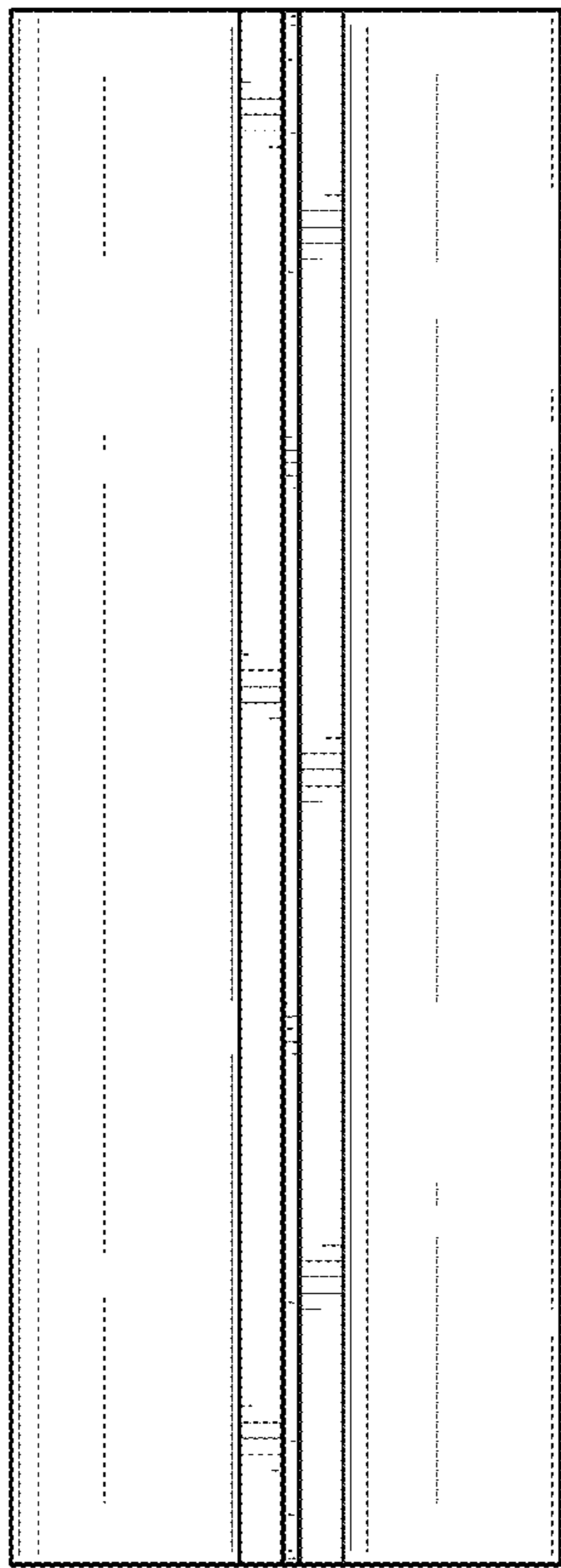


FIG. 18

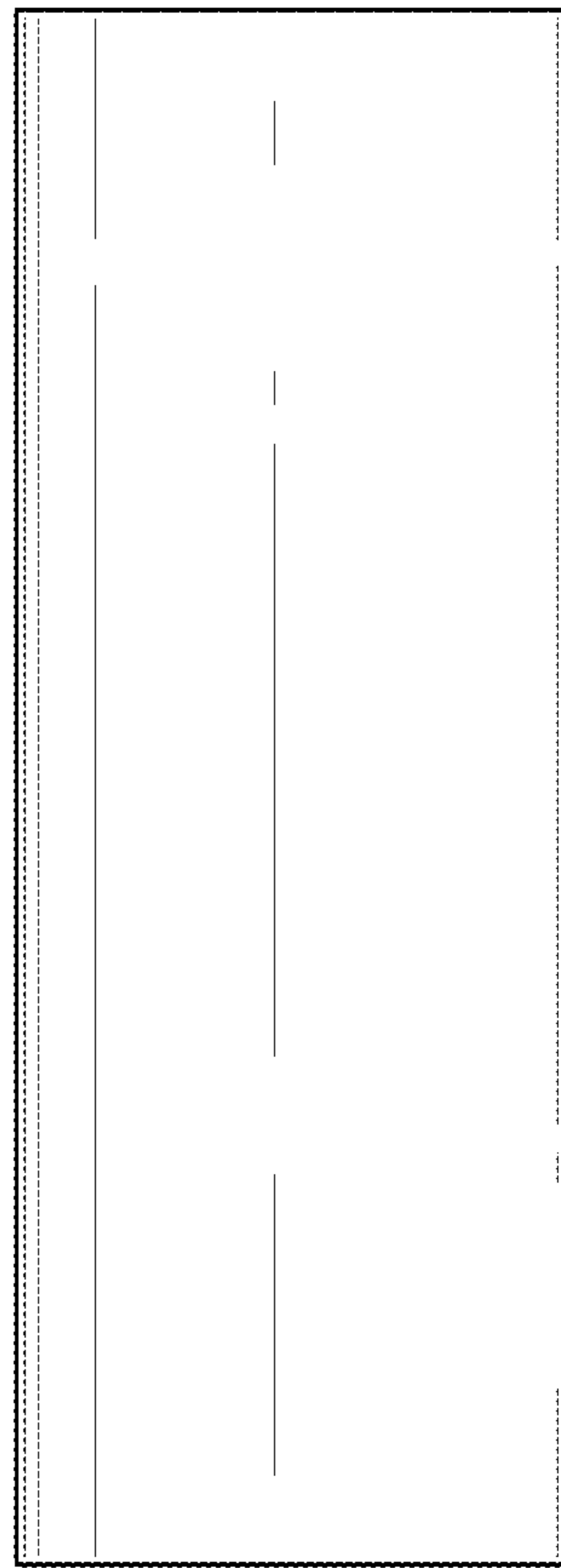


FIG. 19

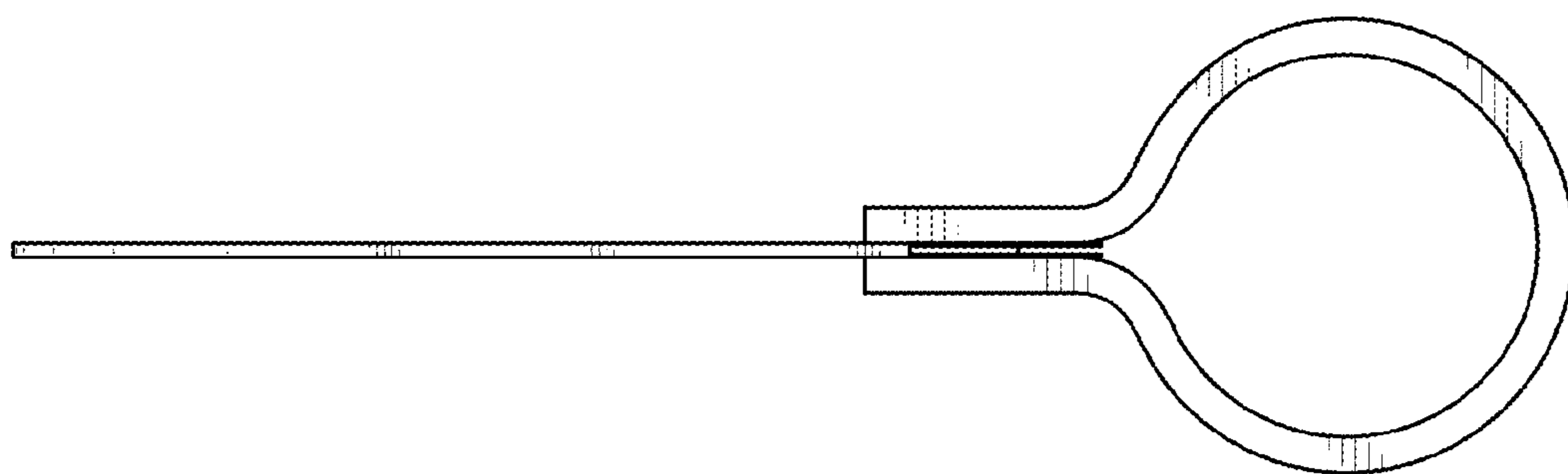


FIG. 20

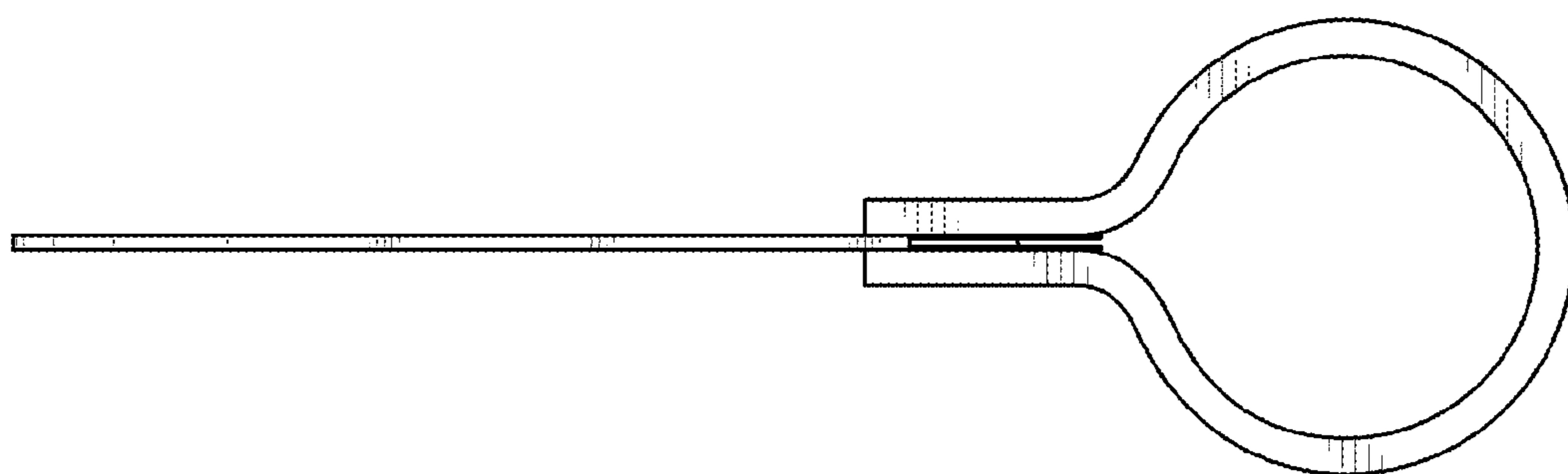


FIG. 21