



US00D723035S

(12) **United States Design Patent**  
**Taniho et al.**

(10) **Patent No.:** **US D723,035 S**

(45) **Date of Patent:** **\*\* Feb. 24, 2015**

(54) **SCANNER**

(71) Applicant: **PFU Limited**, Kahoku-shi, Ishikawa (JP)

(72) Inventors: **Kiichi Taniho**, Kahoku (JP); **Shigeru Yonemura**, Kahoku (JP); **Toshiki Satoji**, Milan (IT); **Takashi Kirimoto**, Milan (IT)

(73) Assignee: **PFU Limited**, Ishikawa (JP)

(\*\*) Term: **14 Years**

(21) Appl. No.: **29/499,542**

(22) Filed: **Aug. 15, 2014**

(30) **Foreign Application Priority Data**

Apr. 15, 2014 (JP) ..... 2014-008235

(51) **LOC (10) Cl.** ..... **14-02**

(52) **U.S. Cl.**  
USPC ..... **D14/422**

(58) **Field of Classification Search**  
USPC ..... D14/420, 422, 425, 462-470, 424, 389, D14/125, 399; D18/54, 55, 50, 53, 36-39, D18/14, 18-21, 49, 46, 52, 56, 51, 54.4; D13/164, 168; 358/400, 401, 448, 474, 358/486-488, 496, 497, 494, 473, 302, 468, 358/498; 382/312, 317, 321, 315; 400/613, 400/613.1-613.4, 690.1-690.4, 691-694, 400/88, 175; 399/107, 379, 380, 211, 212; 235/462.11, 462.41, 472.01, 470, 235/462.43; 361/680, 681; 378/177, 187, 378/188; 101/93.4, 269; 355/78; D24/165, D24/169, 186; 600/502, 503, 499, 494, 490, 600/485, 500, 492, 480, 493, 495, 479; 128/900; 16/286; 347/104, 109, 5; 271/186, 225, 126, 121, 137, 138

See application file for complete search history.

(56) **References Cited**

U.S. PATENT DOCUMENTS

D186,474 S \* 10/1959 Robbins ..... D18/39  
D293,578 S \* 1/1988 Matsumoto et al. .... D18/55  
D295,416 S \* 4/1988 Glaberson ..... D14/422  
D302,812 S \* 8/1989 Hiroki ..... D14/422  
D314,212 S \* 1/1991 Komada et al. .... D18/40  
D329,862 S \* 9/1992 Watanabe et al. .... D16/208  
5,236,265 A \* 8/1993 Saito et al. .... 400/88  
D339,372 S \* 9/1993 Kando ..... D18/50  
D339,576 S \* 9/1993 Sawada et al. .... D14/462

(Continued)

FOREIGN PATENT DOCUMENTS

JP 1466220 4/2013

*Primary Examiner* — Susan Moon Lee

(74) *Attorney, Agent, or Firm* — RatnerPrestia

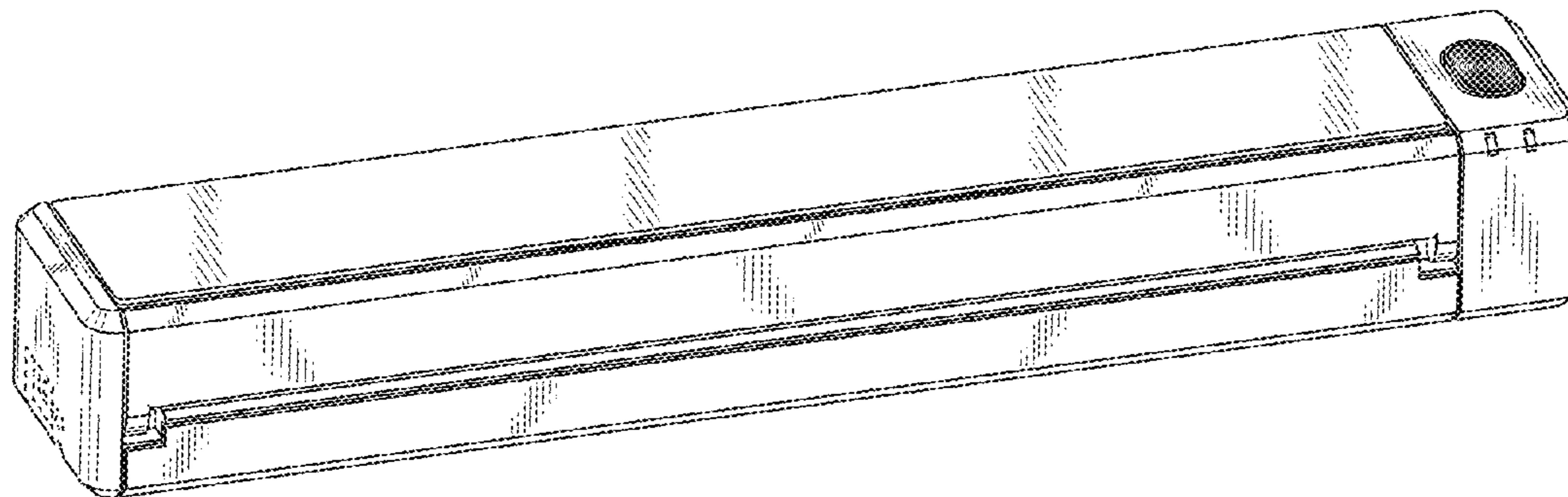
(57) **CLAIM**

The ornamental design for a scanner, as shown and described.

**DESCRIPTION**

FIG. 1 is a front perspective view of a scanner showing our new design;  
FIG. 2 is a front view thereof;  
FIG. 3 is a rear view thereof;  
FIG. 4 is a top plan view thereof;  
FIG. 5 is a bottom plan view thereof;  
FIG. 6 is a left side view thereof;  
FIG. 7 is a right side view thereof;  
FIG. 8 is an enlarged fragmentary top plan view thereof, taken along line 8-8 and in the direction of arrows in FIG. 4;  
FIG. 9 is another perspective view of the scanner with both catch and paper feed trays shown in an open position; and,  
FIG. 10 is another perspective view of the scanner with a paper feed tray shown in an open position.  
Broken lines and entirely unshaded portions contained within broken line are not claimed.

**1 Claim, 7 Drawing Sheets**



(56)

**References Cited**

U.S. PATENT DOCUMENTS

D340,232 S *	10/1993	Yoshida	.....	D14/422	D401,614 S *	11/1998	Moriyama	.....	D18/36
D345,353 S *	3/1994	Dietrich	.....	D14/462	D415,128 S *	10/1999	Kitera	.....	D14/422
D352,731 S *	11/1994	Sugimoto	.....	D18/50	D435,849 S *	1/2001	Tasi	.....	D14/422
D361,084 S *	8/1995	Yamanaka et al.	.....	D18/50	D636,775 S *	4/2011	Kuroda et al.	.....	D14/422
D361,554 S *	8/1995	Mochizuki et al.	.....	D14/422	D636,776 S *	4/2011	Kuroda et al.	.....	D14/422
D362,267 S *	9/1995	Yamanaka et al.	.....	D18/50	D637,191 S *	5/2011	Kuroda et al.	.....	D14/422
D363,733 S *	10/1995	Sugimoto	.....	D18/50	D638,018 S *	5/2011	Kuroda et al.	.....	D14/422
D372,467 S *	8/1996	Lee	.....	D14/422	D644,265 S *	8/2011	Inada et al.	.....	D18/50
					D686,212 S *	7/2013	Yamano et al.	.....	D14/422
					8,587,845 B2 *	11/2013	Yonemura et al.	.....	358/498
					D709,071 S *	7/2014	Kato et al.	.....	D14/422

\* cited by examiner

FIG. 1

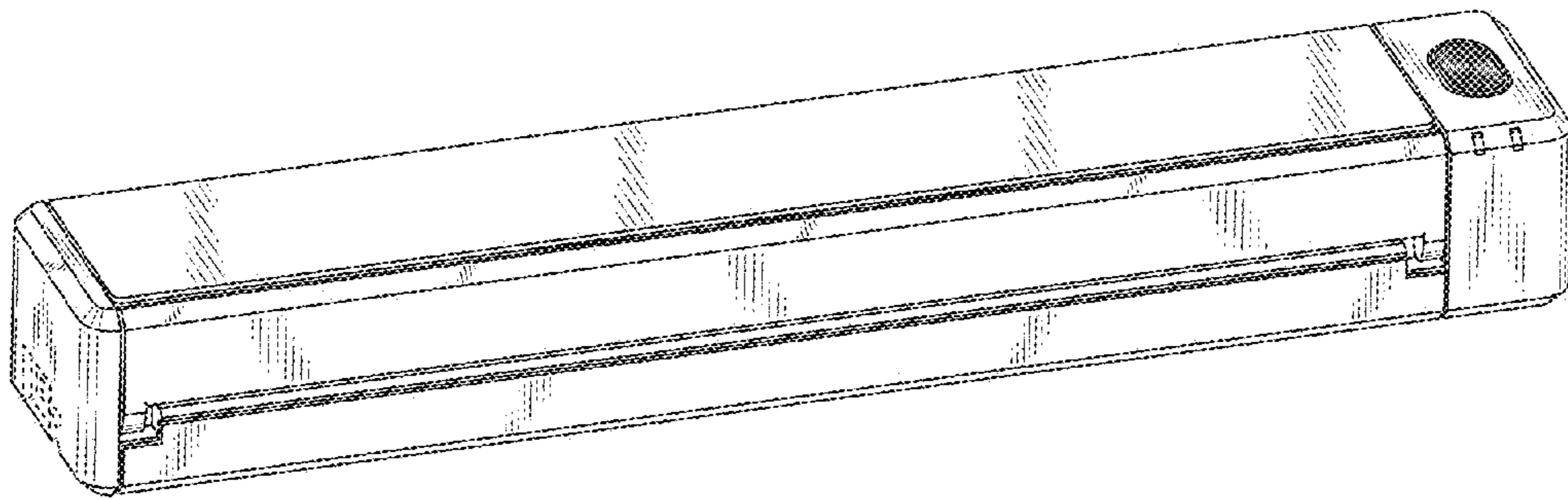


FIG. 2

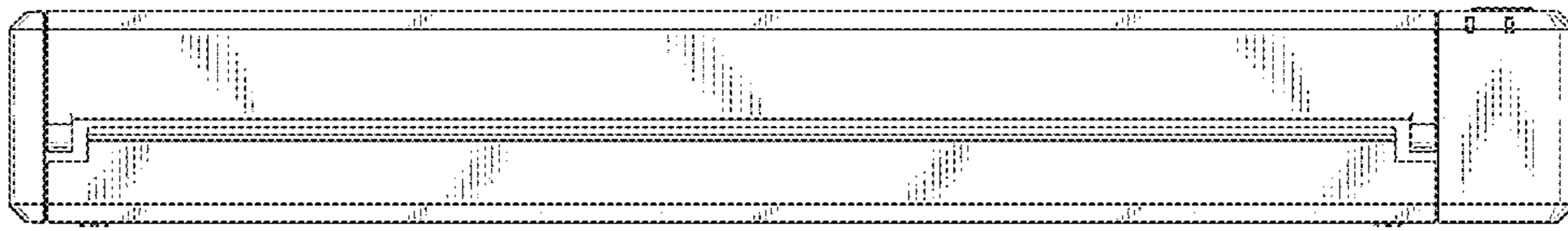


FIG. 3

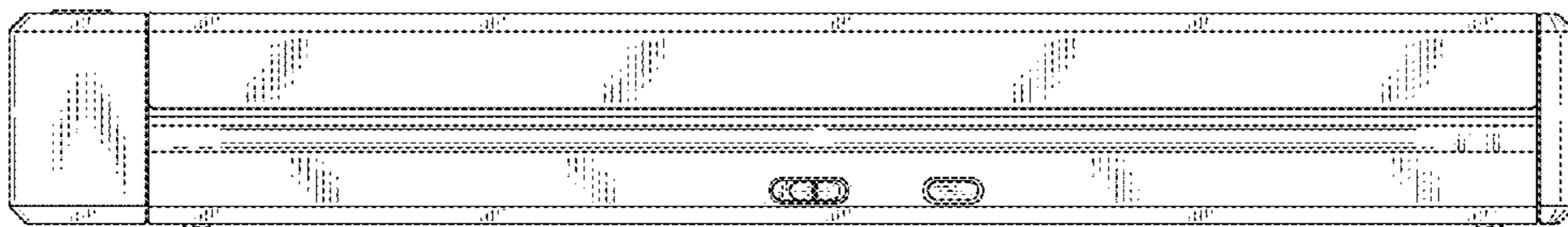


FIG. 4

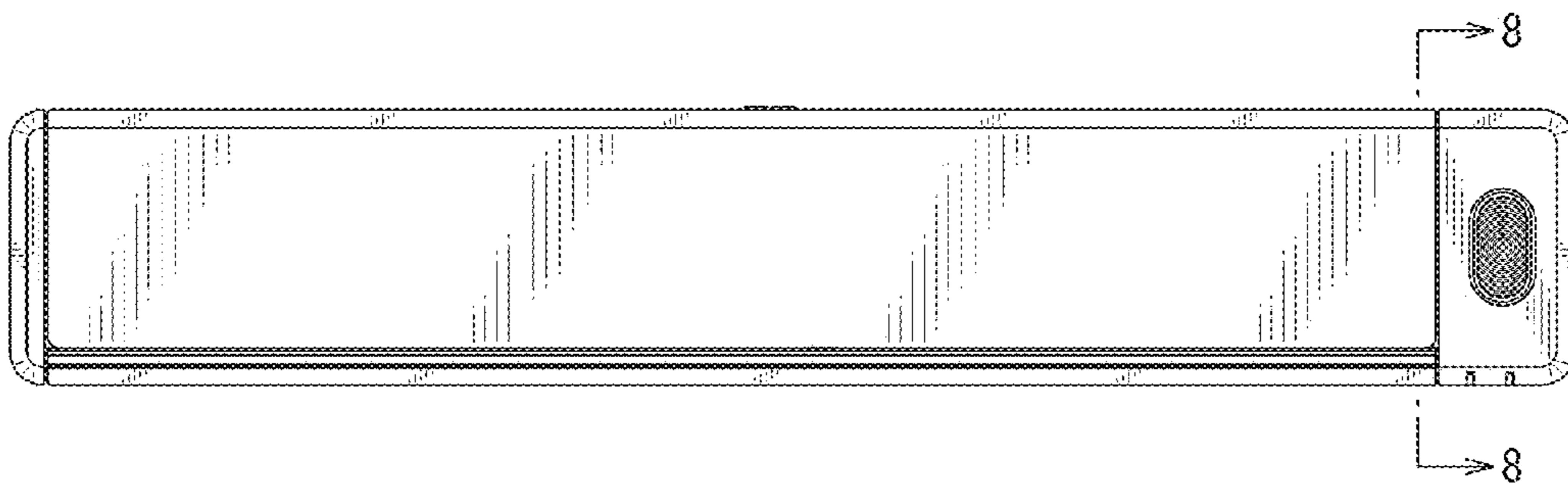


FIG. 5

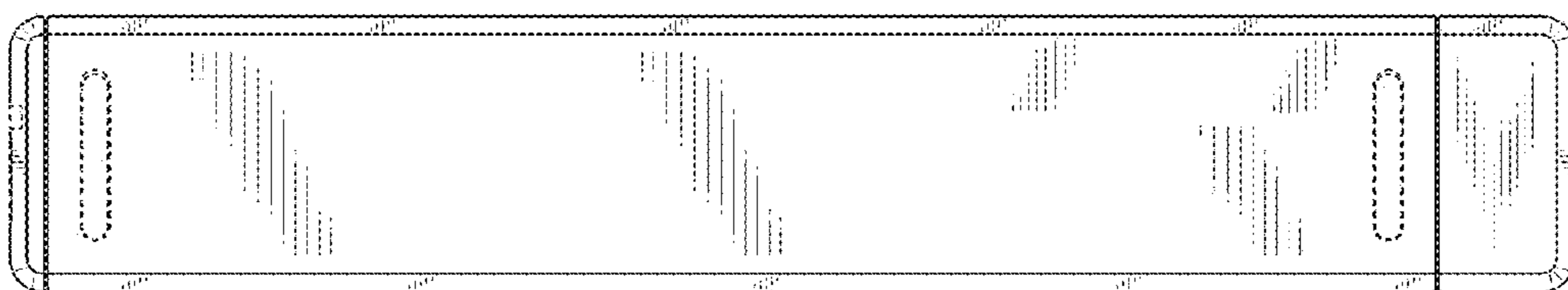


FIG. 6

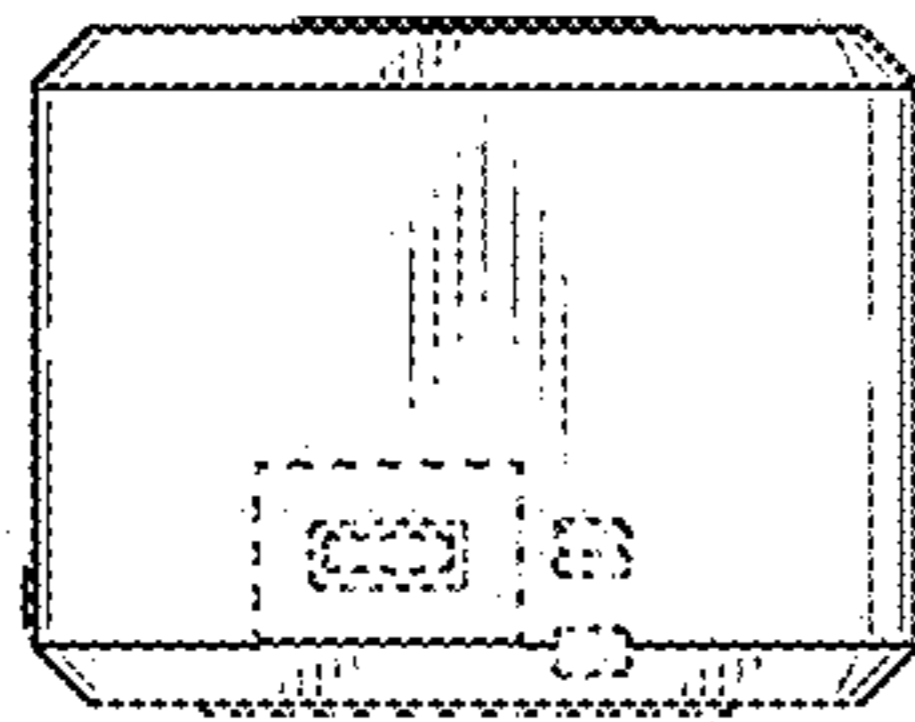


FIG. 7

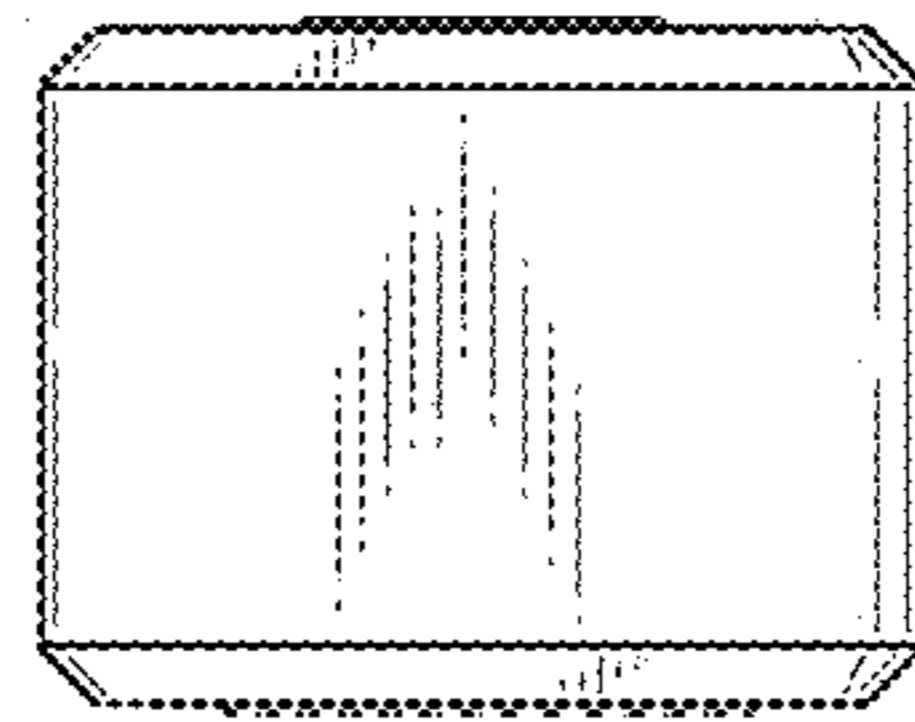


FIG. 8

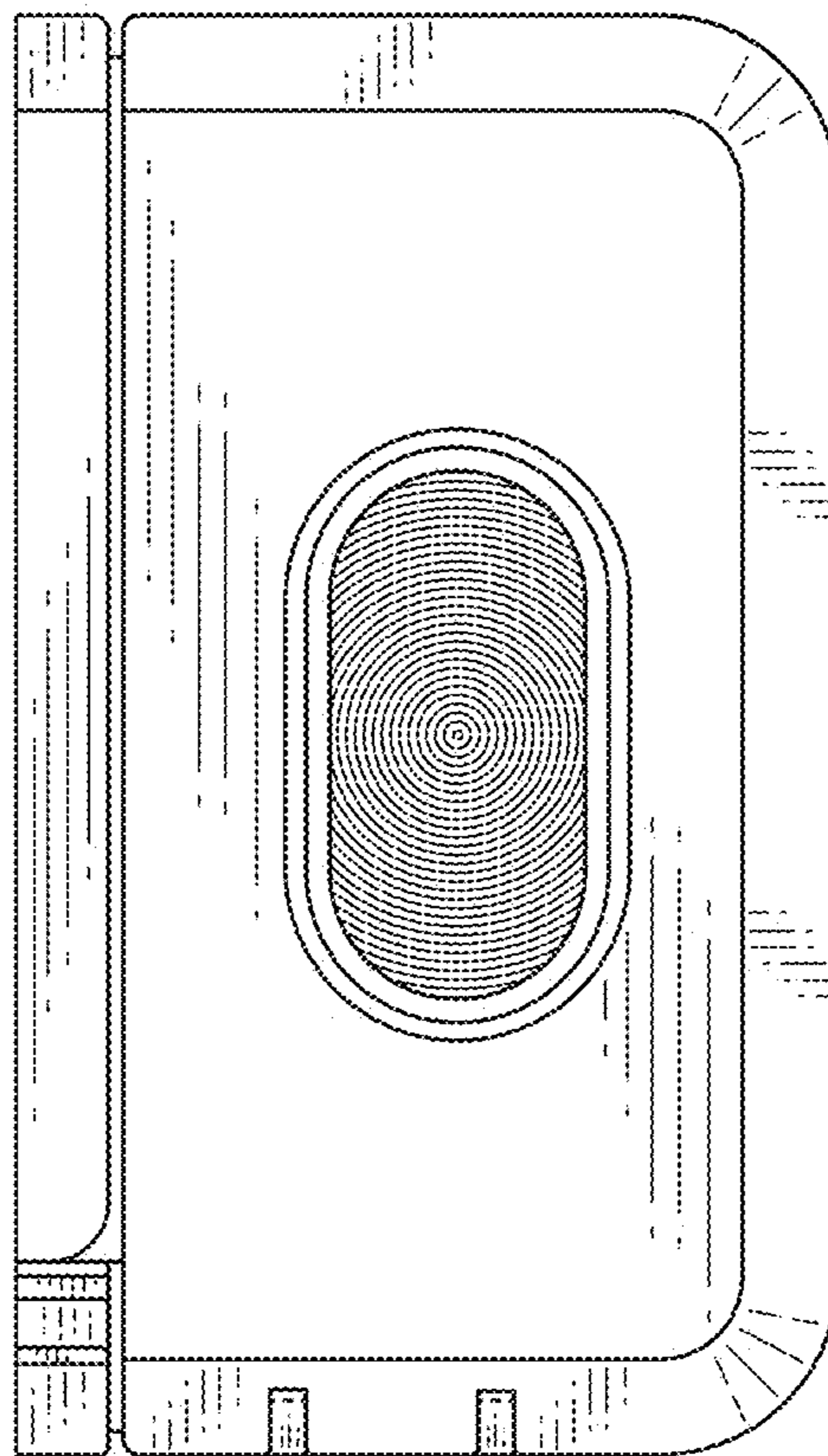


FIG. 9

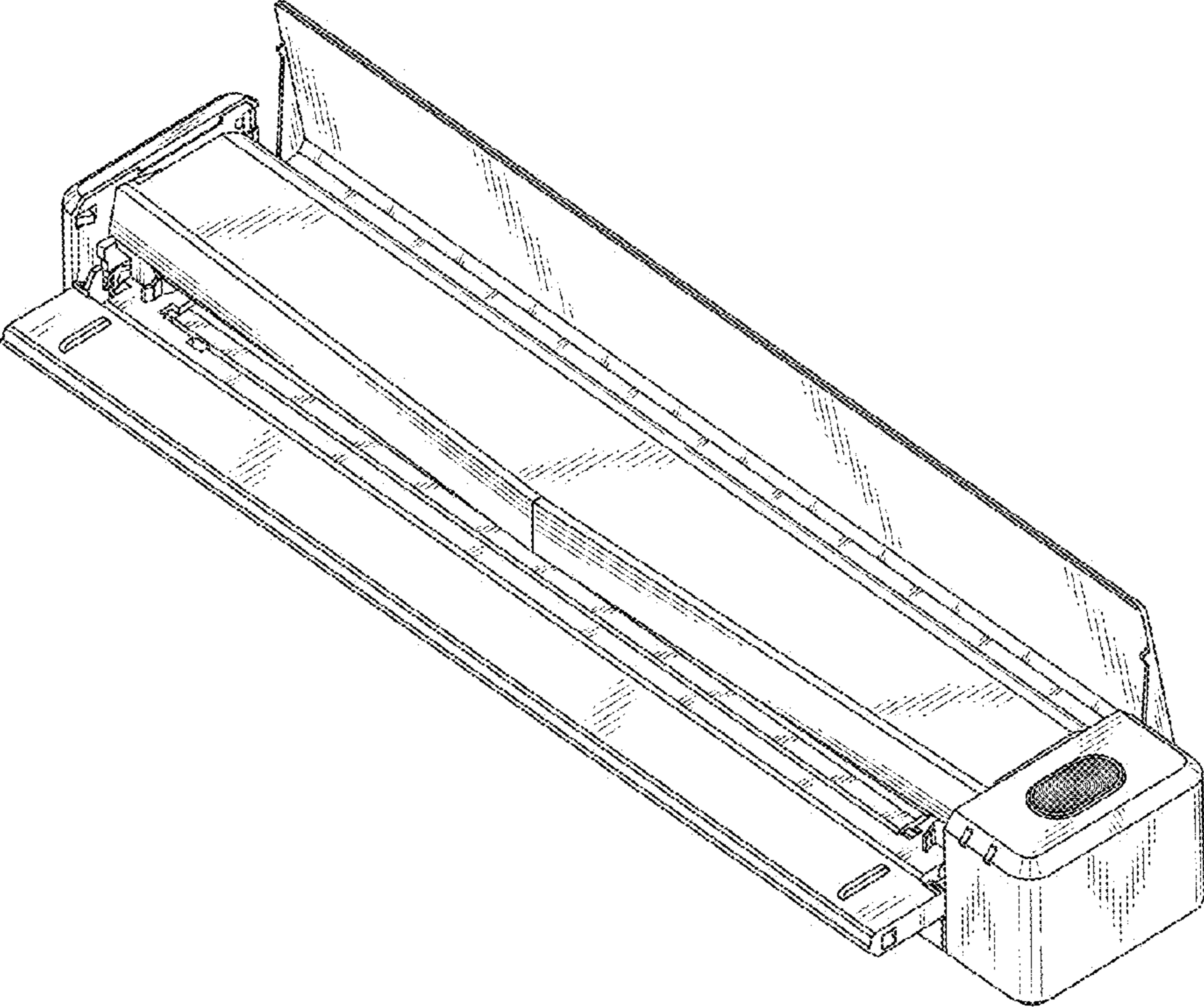




FIG. 10

