



US00D723034S

(12) **United States Design Patent**  
**Chin et al.**

(10) **Patent No.:** **US D723,034 S**  
(45) **Date of Patent:** **\*\* Feb. 24, 2015**

(54) **IMAGING DEVICE**

(56) **References Cited**

(71) Applicant: **Hewlett-Packard Development Company, L.P.**, Houston, TX (US)

U.S. PATENT DOCUMENTS

(72) Inventors: **Chung Chiet Edwin Chin**, Singapore (SG); **Yu Ri Kim**, Singapore (SG); **Binhai Guo**, Singapore (SG); **Shanthamallappa Kiran Kattesomanahalli**, Singapore (SG); **Nick Su**, Singapore (SG)

D289,291	S	*	4/1987	Kapper	.....	D14/389
D311,393	S	*	10/1990	Weaver et al.	.....	D14/420
D318,658	S	*	7/1991	Stoddard et al.	.....	D14/430
D334,922	S	*	4/1993	Meyerson et al.	.....	D14/429
5,496,992	A	*	3/1996	Madan et al.	.....	235/472.02
5,736,726	A	*	4/1998	VanHorn et al.	.....	235/472.02
D400,199	S	*	10/1998	Fitch et al.	.....	D14/428
5,850,078	A	*	12/1998	Giordano et al.	.....	235/462.27
D435,557	S	*	12/2000	Eisenberg et al.	.....	D14/428
D460,075	S	*	7/2002	Destefano et al.	.....	D14/428

(73) Assignee: **Hewlett-Packard Development Company, L.P.**, Houston, TX (US)

(Continued)

(\*\*) Term: **14 Years**

*Primary Examiner* — Susan Moon Lee

(21) Appl. No.: **29/481,043**

(57) **CLAIM**

The ornamental design for an “imaging device,” as shown and described.

(22) Filed: **Jan. 31, 2014**

(51) **LOC (10) Cl.** ..... **14-02**

(52) **U.S. Cl.**  
USPC ..... **D14/422**

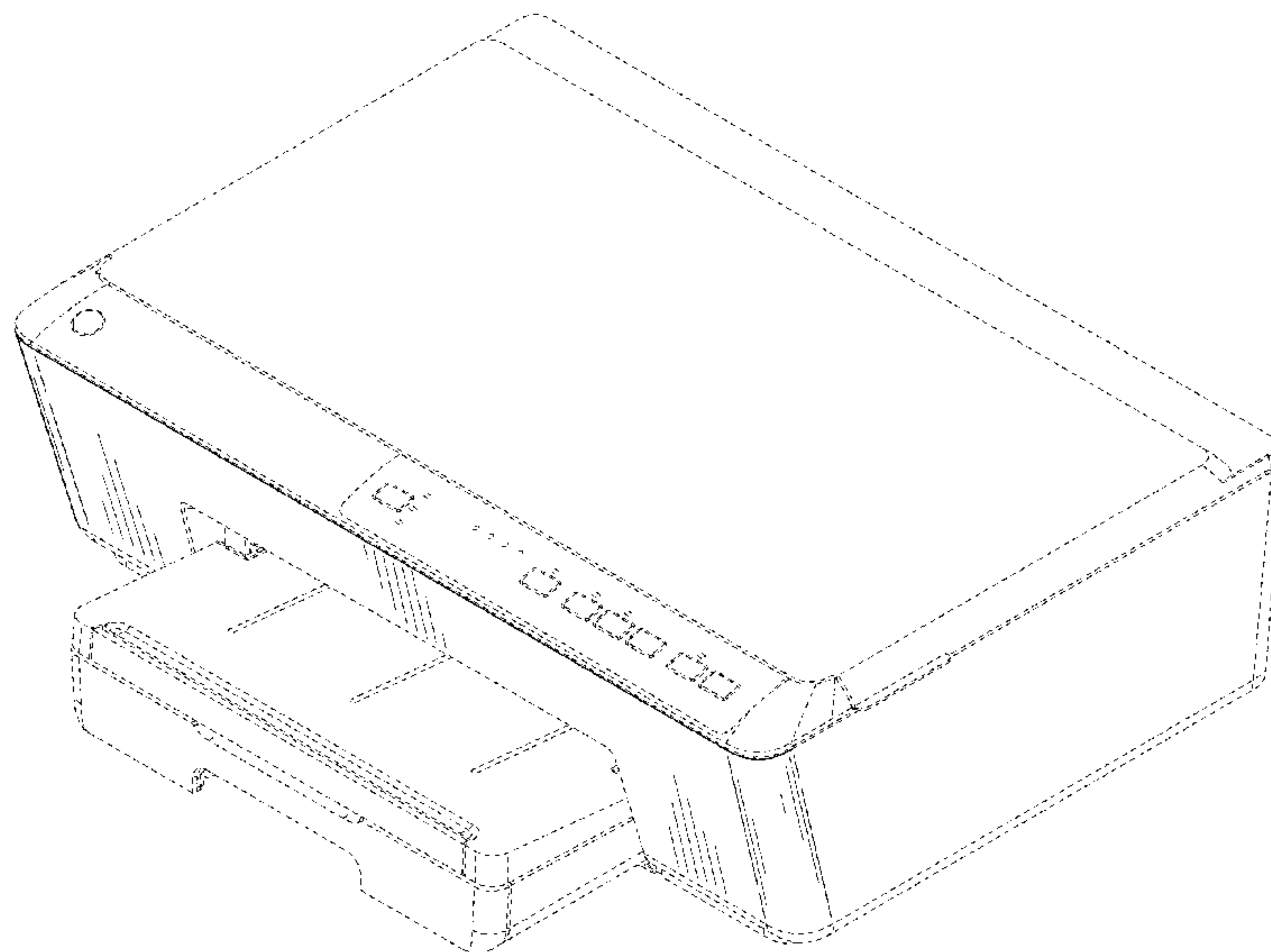
**DESCRIPTION**

(58) **Field of Classification Search**  
USPC ..... D14/420, 422, 425, 462–470, 424, 389, D14/125, 399; D18/54, 55, 50, 53, 36–39, D18/14, 18–21, 49, 46, 52, 56, 51, 54.4; D13/164, 168; 358/400, 401, 448, 474, 358/486–488, 496, 497, 494, 473, 302, 468, 358/498; 382/312, 317, 321, 315; 400/613, 400/613.1–613.4, 690.1–690.4, 691–694, 400/88, 175; 399/107, 379, 380, 211, 212; 235/462.11, 462.41, 472.01, 470, 235/462.43; 361/680, 681; 378/177, 187, 378/188; 101/93.4, 269; 355/78; D24/165, D24/169, 186; 600/502, 503, 499, 494, 490, 600/485, 500, 492, 480, 493, 495, 479; 128/900; 16/286; 347/104, 109, 5; 271/186, 225, 126, 121, 137, 138

FIG. 1 is a front right perspective view of an imaging device. FIG. 2 is a front left perspective view of the imaging device of FIG. 1. FIG. 3 is a front view of the imaging device of FIG. 1. FIG. 4 is a rear view of the imaging device of FIG. 1. FIG. 5 is a right side view of the imaging device of FIG. 1. FIG. 6 is a left side view of the imaging device of FIG. 1. FIG. 7 is a top view of the imaging device of FIG. 1. FIG. 8 is a bottom view of the imaging device of FIG. 1. FIG. 9 is a rear right perspective view of the imaging device of FIG. 1; and, FIG. 10 is a rear left perspective view of the imaging device of FIG. 1. Broken lines and unshaded portions contained within broken lines are not claimed.

See application file for complete search history.

**1 Claim, 9 Drawing Sheets**



(56)

References Cited

U.S. PATENT DOCUMENTS

D494,593 S *	8/2004	Wulff et al. ....	D14/429	D613,296 S *	4/2010	Hattori .....	D14/453
D509,829 S *	9/2005	MacGregor .....	D14/453	D614,627 S *	4/2010	Lerner et al. ....	D14/429
D512,427 S *	12/2005	Choi et al. ....	D14/428	D617,799 S *	6/2010	Odhe et al. ....	D14/420
D518,482 S *	4/2006	Hodges et al. ....	D14/426	7,743,997 B2 *	6/2010	Copeland et al. ....	235/472.01
7,051,943 B2 *	5/2006	Leone et al. ....	235/462.45	D626,550 S *	11/2010	Julien .....	D14/341
7,161,470 B2 *	1/2007	Berquist et al. ....	340/10.31	D633,095 S *	2/2011	Cullen et al. ....	D14/453
D539,294 S *	3/2007	Croley et al. ....	D14/453	D676,850 S *	2/2013	Minafo et al. ....	D14/429
D540,333 S *	4/2007	Croley et al. ....	D14/453	D692,004 S *	10/2013	Man .....	D14/428
D544,485 S *	6/2007	Chen et al. ....	D14/428	D697,067 S *	1/2014	Minafo et al. ....	D14/429
D558,624 S *	1/2008	Perez et al. ....	D10/104.1	D699,727 S *	2/2014	Dean .....	D14/429
D558,768 S *	1/2008	Jenkins et al. ....	D14/428	2004/0046027 A1 *	3/2004	Leone et al. ....	235/462.13
D571,808 S *	6/2008	Dorr et al. ....	D14/429	2004/0069851 A1 *	4/2004	Grunes et al. ....	235/435
D583,822 S *	12/2008	Matsumoto et al. ....	D14/453	2007/0158429 A1 *	7/2007	Bhatia et al. ....	235/462.45
D604,303 S *	11/2009	Boyd .....	D14/453	2009/0090780 A1 *	4/2009	Clark et al. ....	235/462.01
D612,854 S *	3/2010	Arnold et al. ....	D14/429	2009/0289116 A1 *	11/2009	Copeland et al. ....	235/440
				2009/0321524 A1 *	12/2009	Bellows et al. ....	235/462.45
				2010/0170952 A1 *	7/2010	Mangaroo et al. ....	235/462.45
				2012/0228384 A1 *	9/2012	Boyd .....	235/472.01

\* cited by examiner

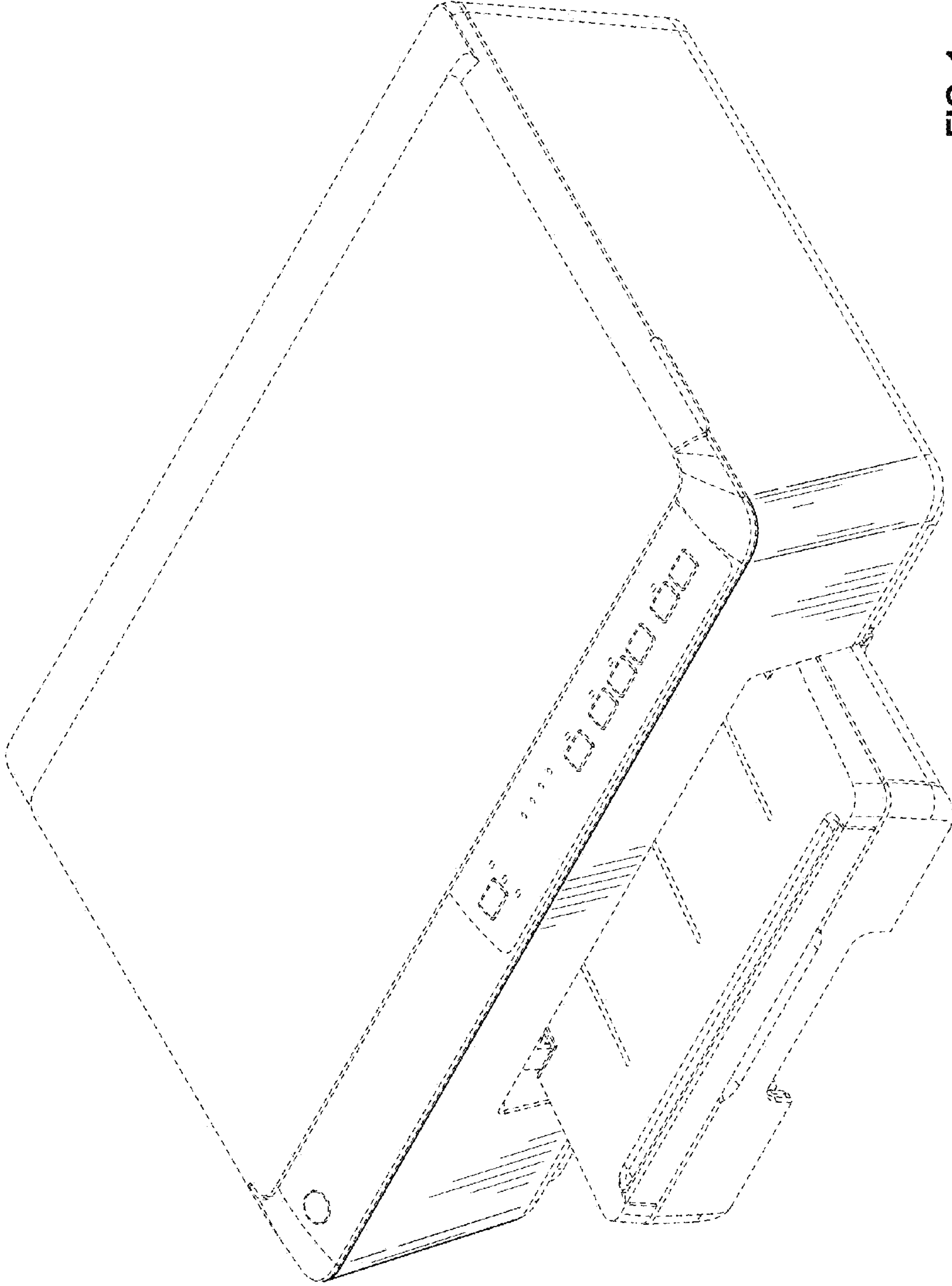


FIG. 1

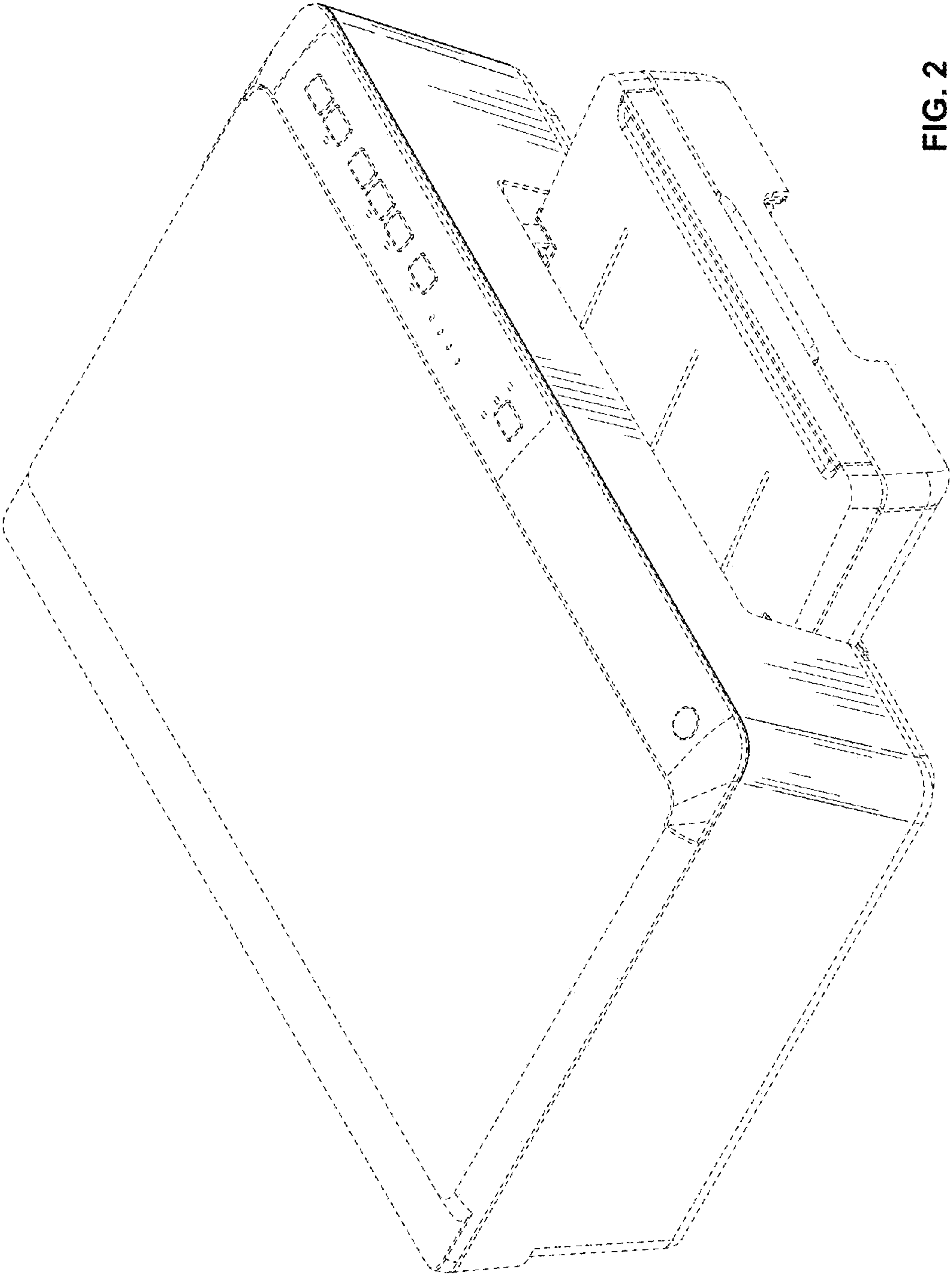


FIG. 2



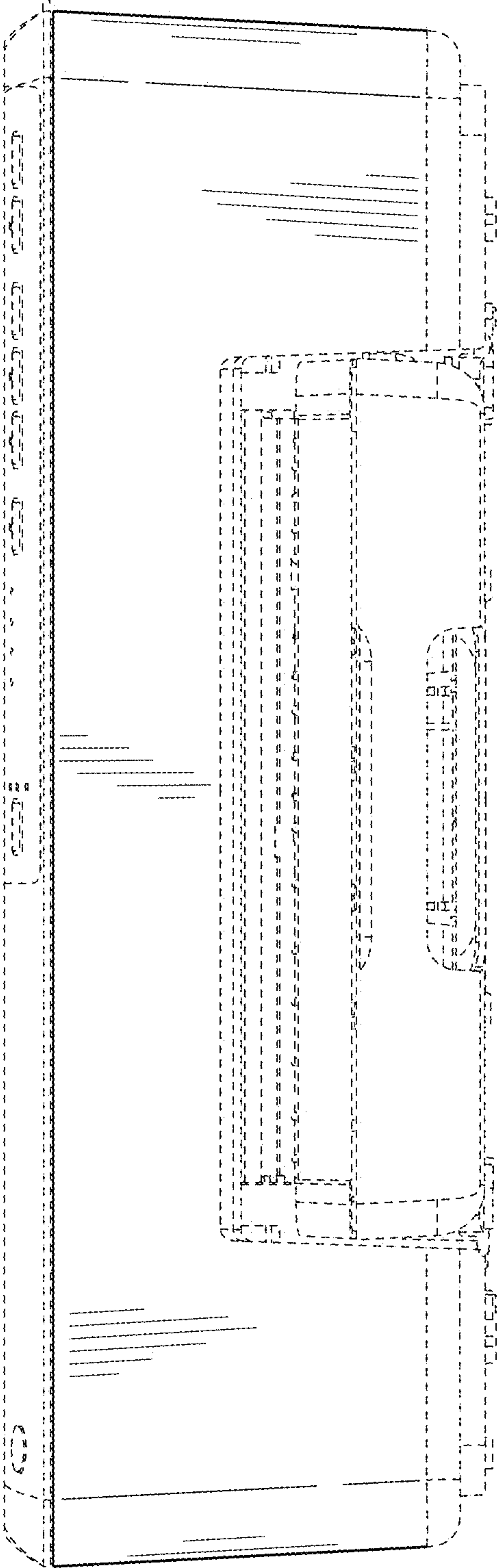


FIG. 3

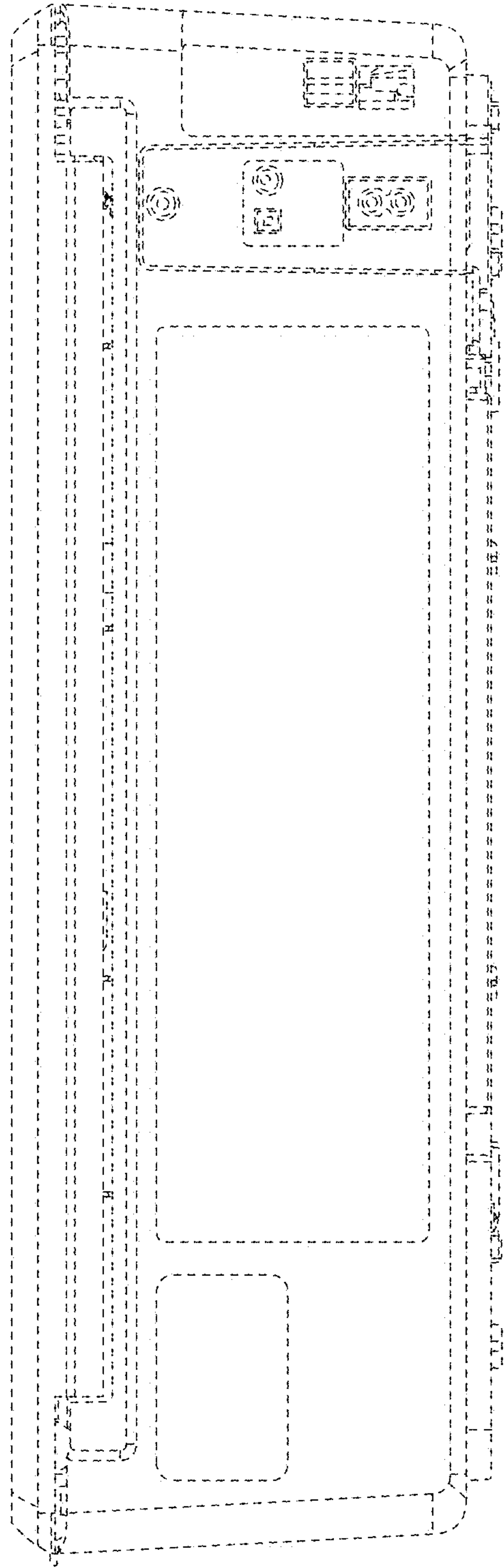


FIG. 4

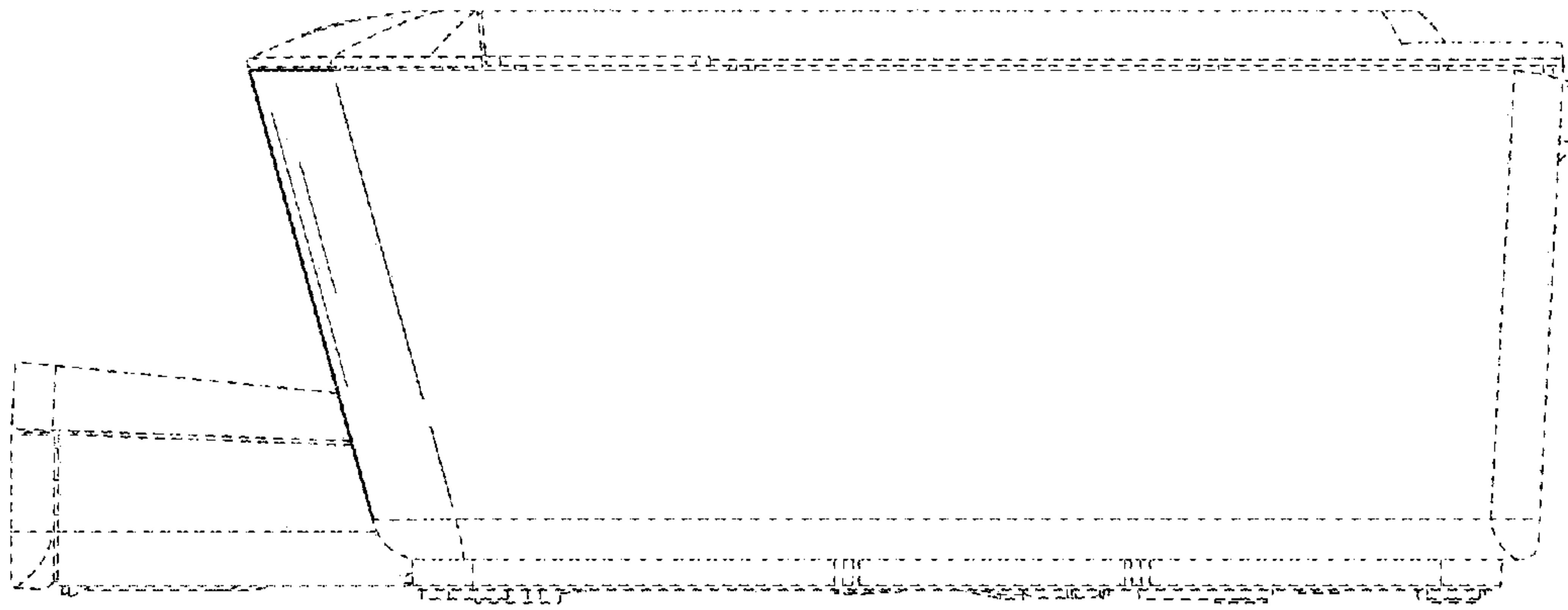


FIG. 5

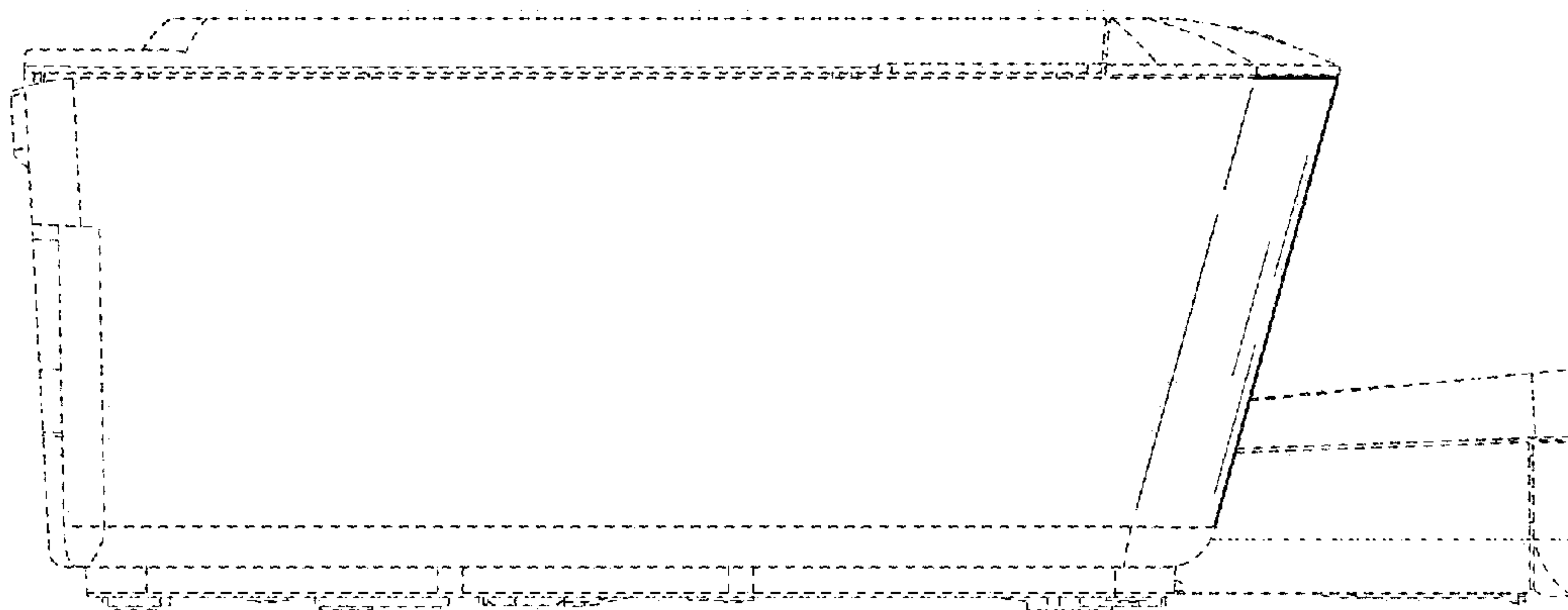


FIG. 6

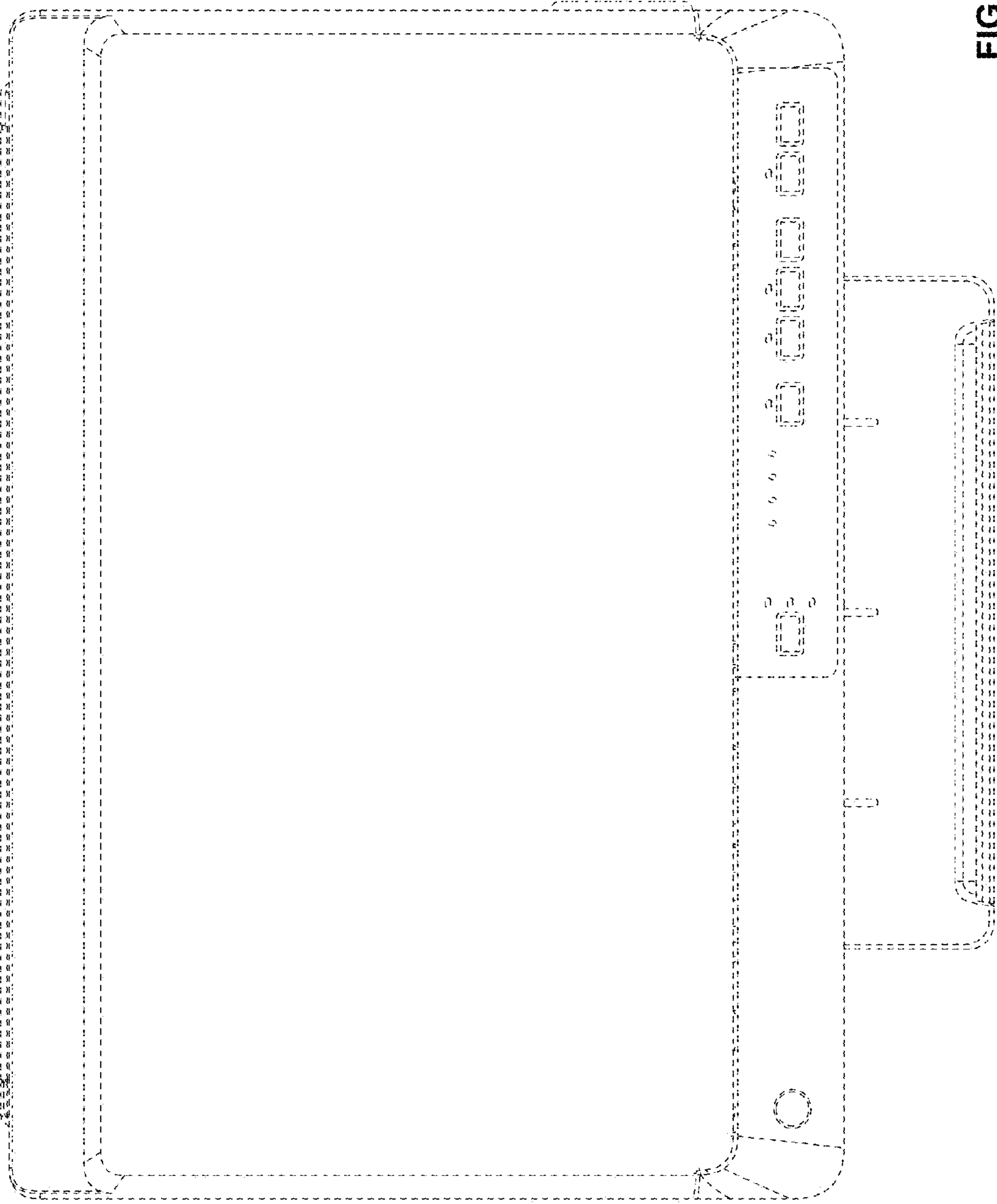


FIG. 7



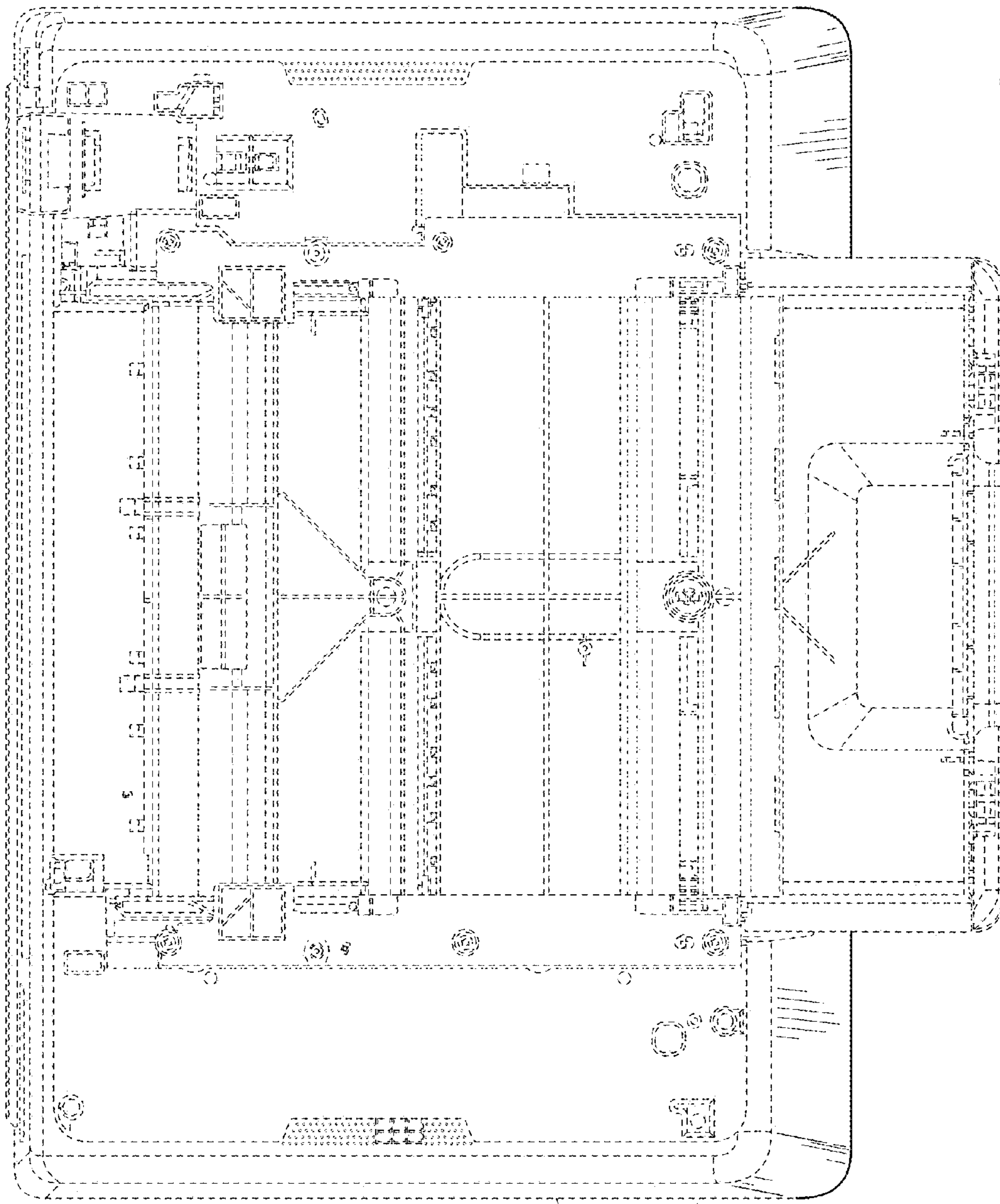


FIG. 8

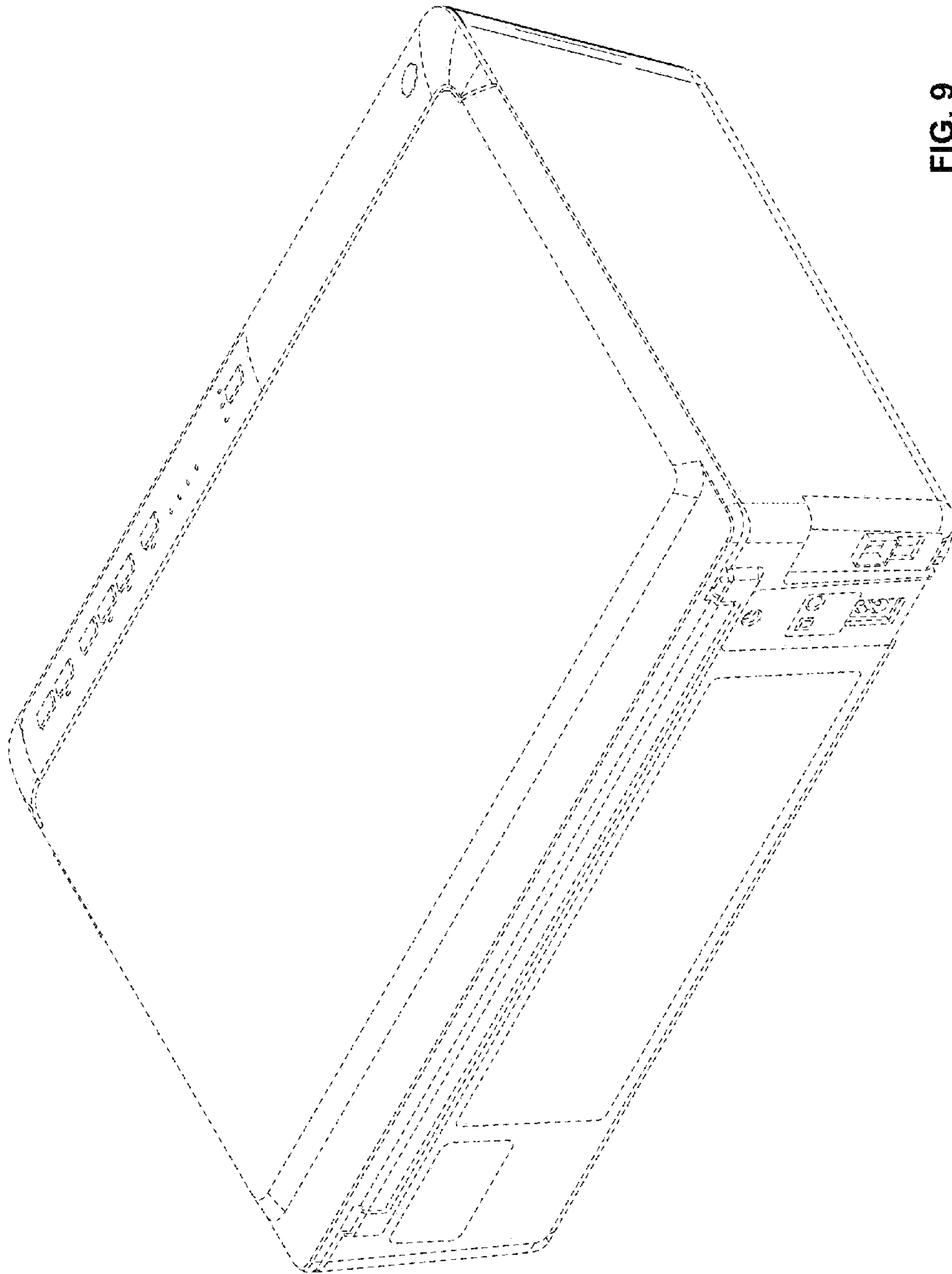


FIG. 9

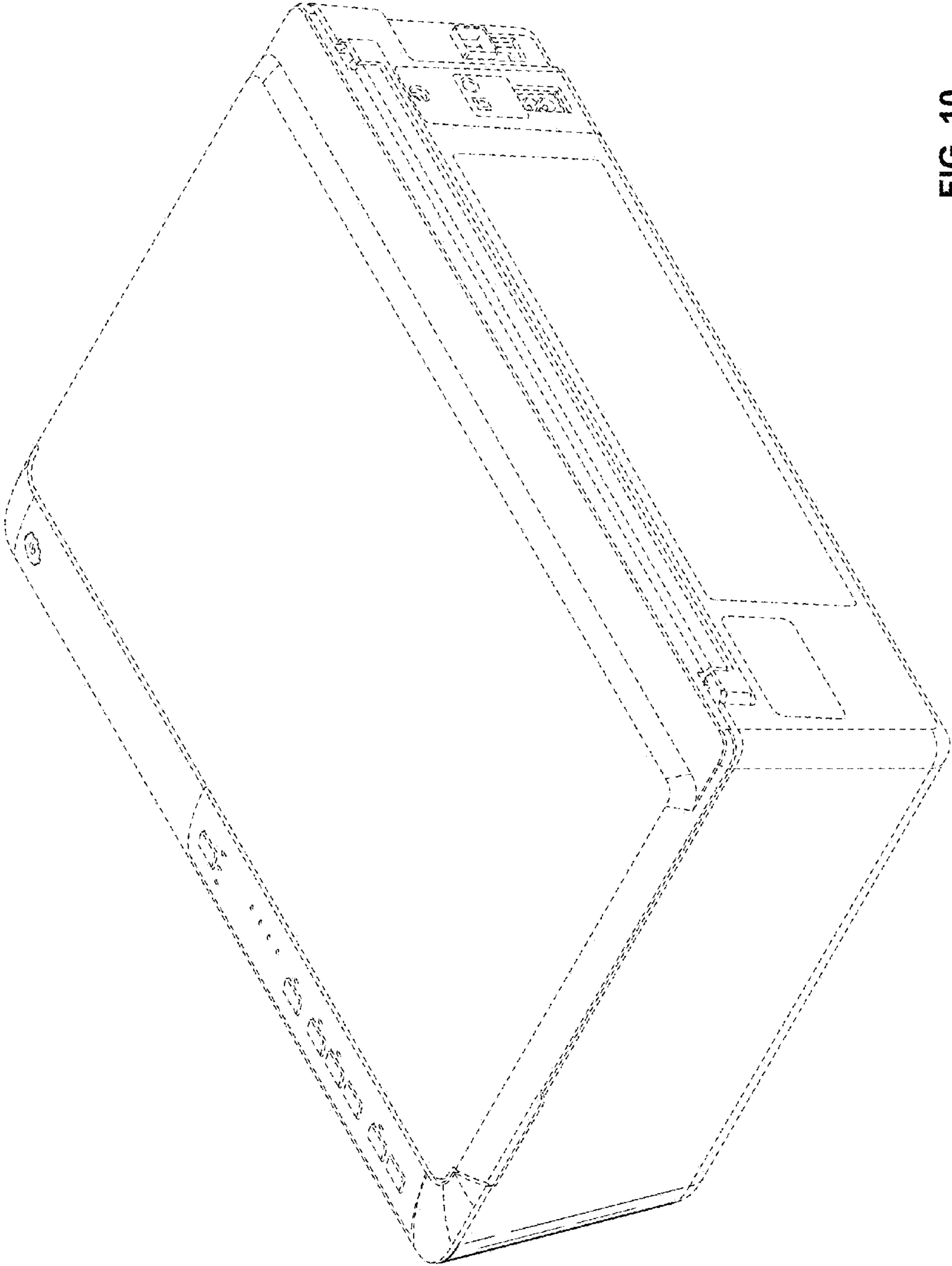


FIG. 10