



US00D723033S

(12) **United States Design Patent**
Hook

(10) **Patent No.:** **US D723,033 S**
(45) **Date of Patent:** **** Feb. 24, 2015**

(54) **JOYSTICK**

(71) Applicant: **Michael Hoock**, Lonato (IT)

(72) Inventor: **Michael Hoock**, Lonato (IT)

(73) Assignee: **NACCO Materials Handling Group, Inc.**, Fairview, OR (US)

(**) Term: **14 Years**

(21) Appl. No.: **29/487,005**

(22) Filed: **Apr. 4, 2014**

(51) **LOC (10) Cl.** **14-03**

(52) **U.S. Cl.**
USPC **D14/412**

(58) **Field of Classification Search**
USPC D14/217, 218, 356, 388, 389, 400, 401,
D14/412-416, 432-434, 454, 496;
D21/324, 332, 333; D34/27, 35; 463/1,
463/30, 36-38, 46, 47; 345/156-161, 905;
D12/174, 178-180; D8/300, 303;
D15/138, 142; 74/489, 502.2, 523,
74/551.8, 551.9; D13/168
See application file for complete search history.

(56) **References Cited**

U.S. PATENT DOCUMENTS

D413,880 S * 9/1999 Barnes et al. D14/416
D526,757 S * 8/2006 Bergman et al. D34/35
D536,153 S * 1/2007 Niebuhr et al. D34/35

D570,856 S * 6/2008 Forester D14/456
D577,359 S * 9/2008 Cigarini D14/416
D589,461 S * 3/2009 Gastelum et al. D13/168
D606,100 S * 12/2009 Kobayashi et al. D15/28
D606,566 S * 12/2009 Kobayashi et al. D15/28
D628,216 S * 11/2010 Ulbrich et al. D15/28
D629,766 S * 12/2010 Stepanian D13/174
D658,179 S * 4/2012 Ikeda et al. D14/401
D658,634 S * 5/2012 Son et al. D14/218
D659,140 S * 5/2012 Ikeda et al. D14/401
D661,280 S * 6/2012 Asaka et al. D14/172
D664,212 S * 7/2012 Sogabe D21/329
D667,015 S * 9/2012 Ferrari et al. D14/456
D697,066 S * 1/2014 Chung et al. D14/391
D709,498 S * 7/2014 Morris et al. D14/401
2005/0034549 A1 * 2/2005 Braud 74/473.1

* cited by examiner

Primary Examiner — Keli L Hill

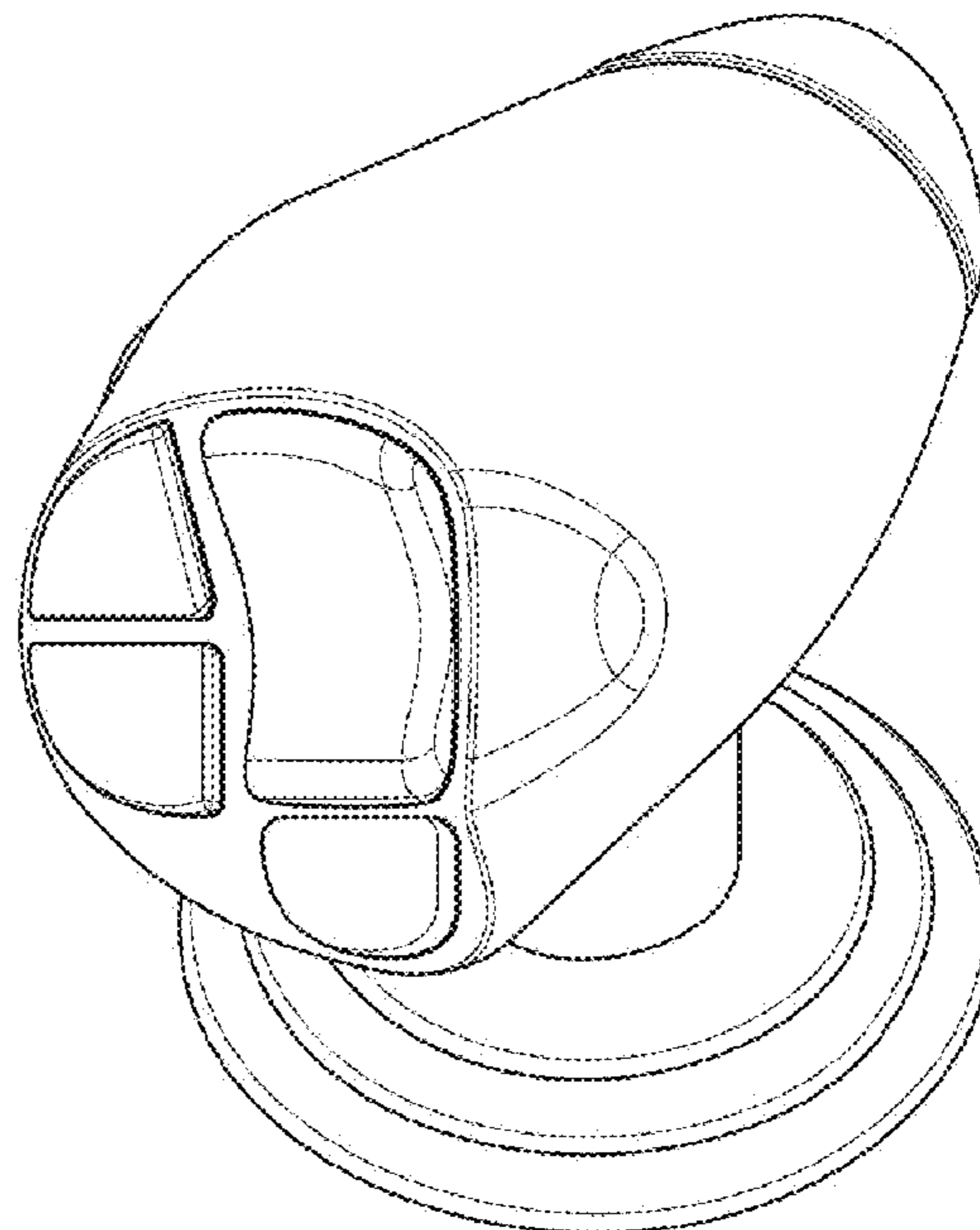
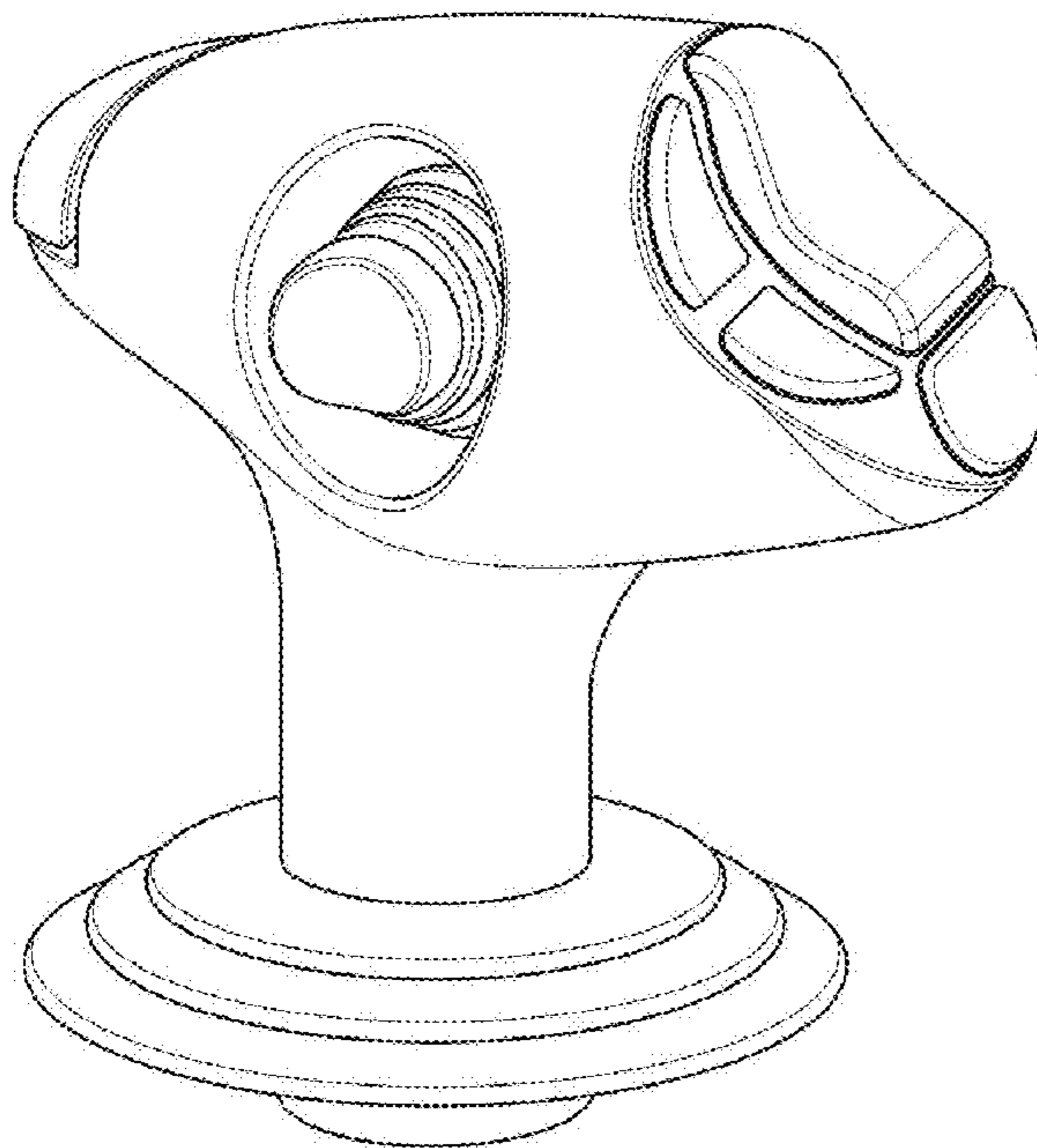
(57) **CLAIM**

I claim the ornamental design for joystick, as shown and described.

DESCRIPTION

FIG. 1 is a left-side elevation view of a first configuration for a joystick;
FIG. 2 is a top view of the joystick of FIG. 1;
FIG. 3 is a rear view of the joystick of FIG. 1;
FIG. 4 is a left, rear isometric view of the joystick of FIG. 1; and,
FIG. 5 is a right, rear isometric view of the joystick of FIG. 1.

1 Claim, 5 Drawing Sheets



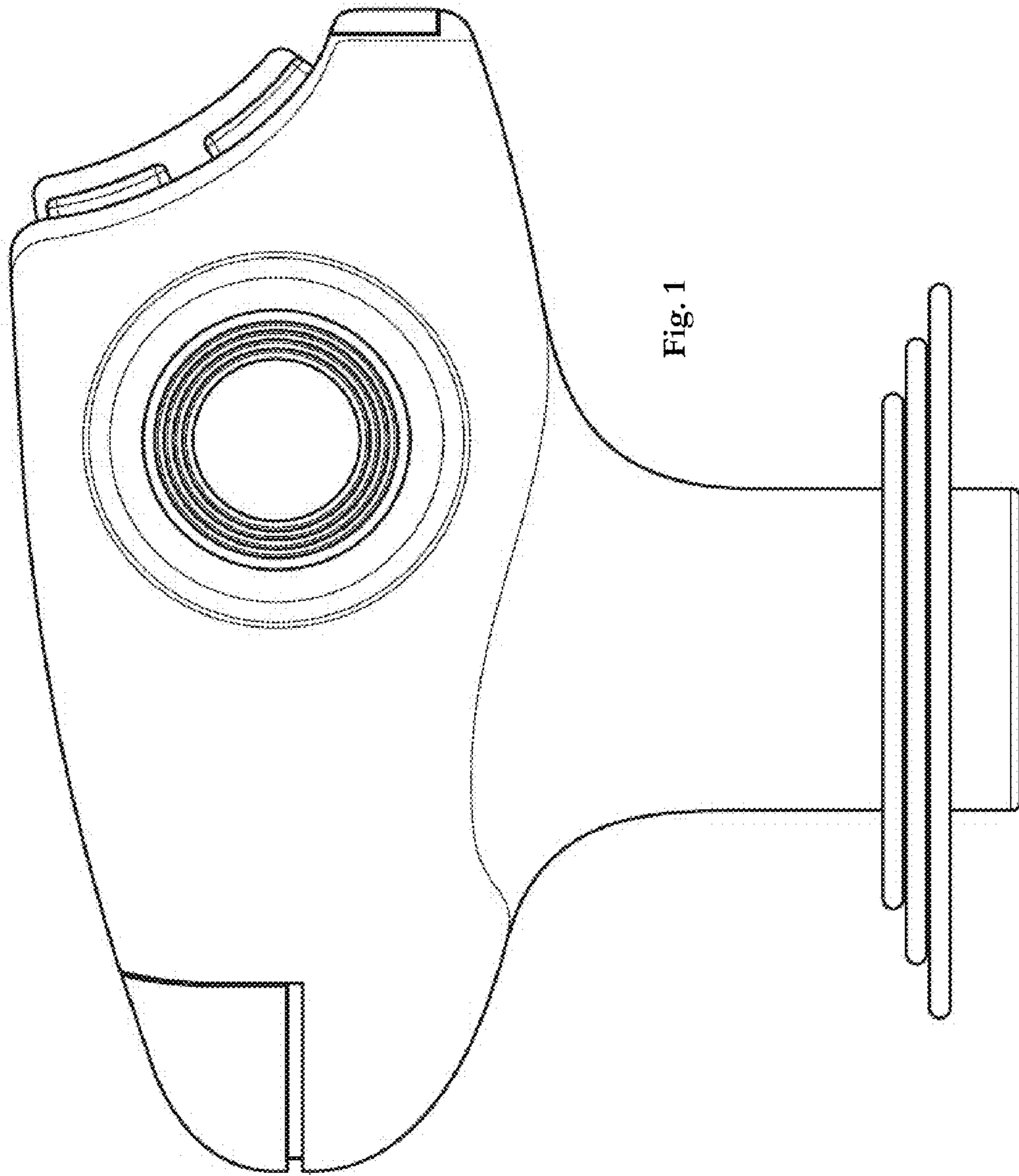


Fig. 1

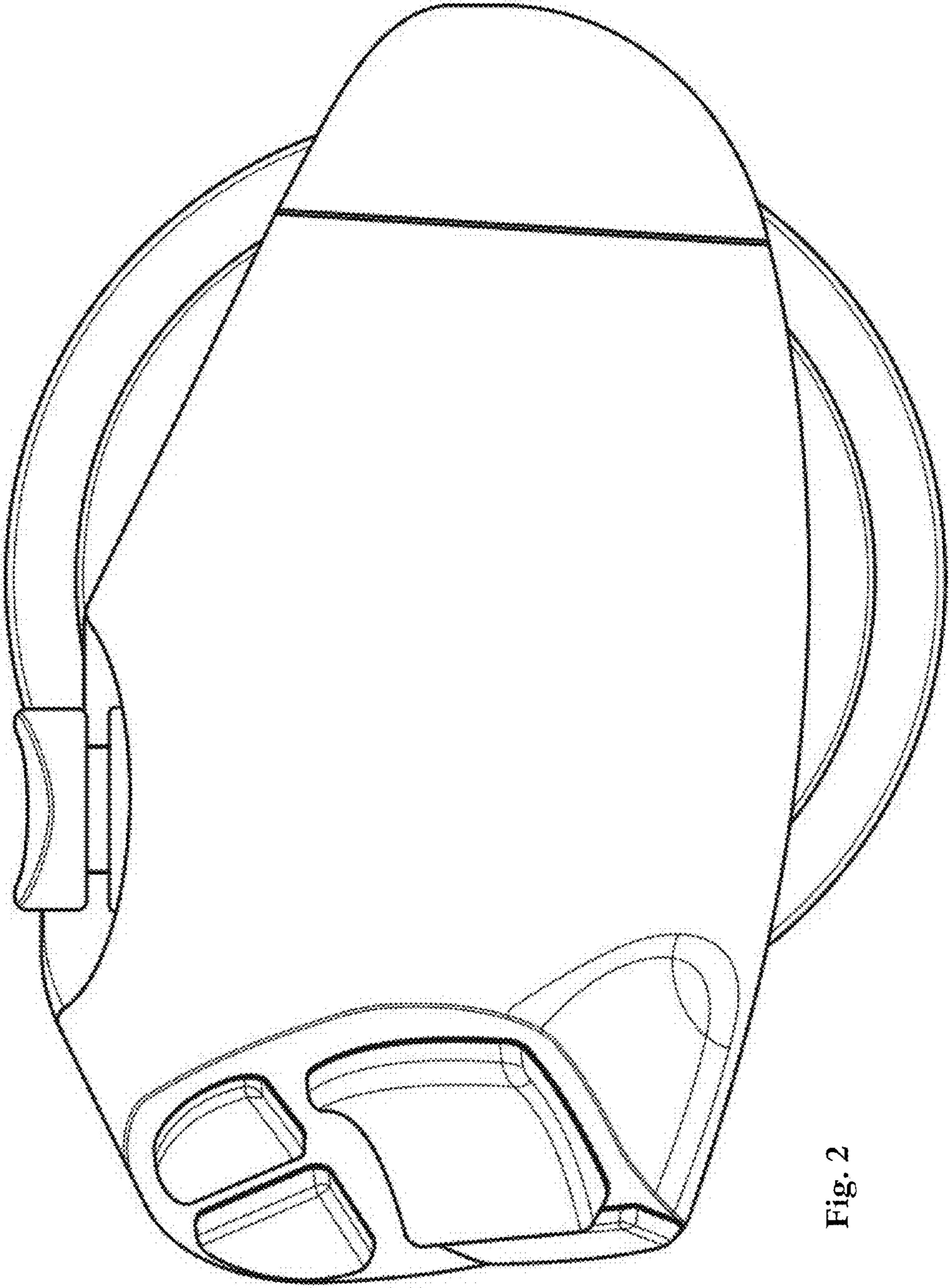


Fig. 2

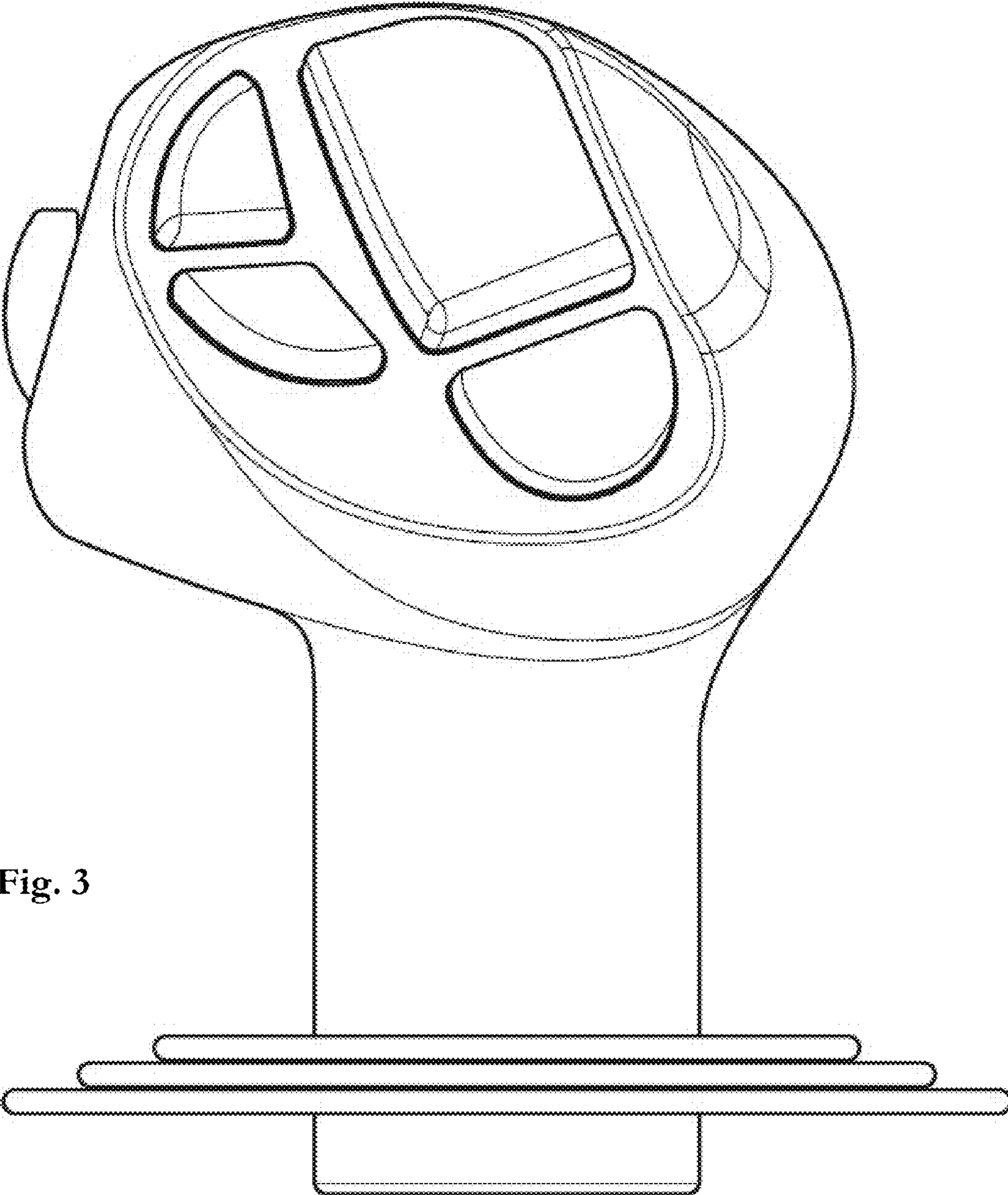


Fig. 3

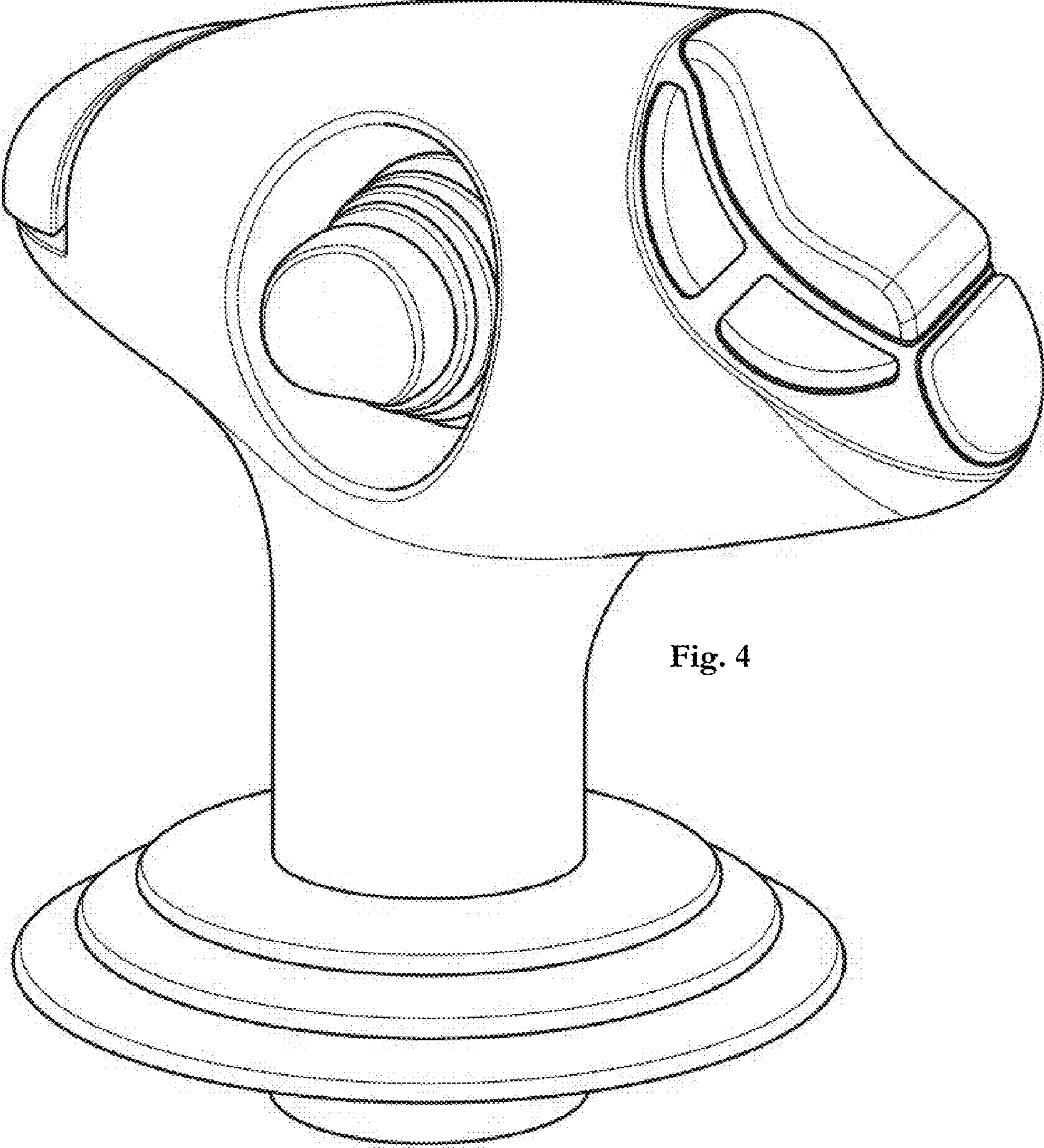


Fig. 4

Fig. 5

