



US00D723031S

(12) **United States Design Patent**
Rawal

(10) **Patent No.:** **US D723,031 S**
(45) **Date of Patent:** **** Feb. 24, 2015**

(54) **ELECTRONIC DEVICE AND SWIPE CARD COMBINATION**

(76) Inventor: **Niraj Ashok Rawal**, Hicksville, NY (US)

(**) Term: **14 Years**

(21) Appl. No.: **29/379,973**

(22) Filed: **Nov. 29, 2010**

(51) **LOC (10) Cl.** **14-02**

(52) **U.S. Cl.**
USPC **D14/385**

(58) **Field of Classification Search**
USPC D14/387, 388, 390, 399-401, 454, 455, D14/218, 392, 393, 341, 346, 383, 385; 341/22-28; 463/37; 345/168, 169; 455/556.1, 566, 575.1, 575.3, 575.4
See application file for complete search history.

(56) **References Cited**

U.S. PATENT DOCUMENTS

D270,061	S	*	8/1983	Ackeret	D6/308
5,015,830	A	*	5/1991	Masuzawa et al.	235/441
5,601,489	A	*	2/1997	Komaki	463/44
D390,542	S	*	2/1998	Fushiya et al.	D14/387
D392,965	S	*	3/1998	Copeland et al.	D14/387
D394,427	S	*	5/1998	Copeland et al.	D14/387
D394,428	S	*	5/1998	Copeland et al.	D14/387
D422,976	S	*	4/2000	Su	D14/385
D423,470	S	*	4/2000	Neifer et al.	D14/385
D426,237	S	*	6/2000	Wranne	D14/385
D426,833	S	*	6/2000	Vanelli	D14/387
D445,422	S	*	7/2001	Hsin	D14/385
D451,508	S	*	12/2001	Liston et al.	D14/385
D451,509	S	*	12/2001	Liston et al.	D14/385
D467,921	S	*	12/2002	Lin	D14/385
D478,906	S	*	8/2003	Richter	D14/387
D515,082	S	*	2/2006	Moskaluk et al.	D14/341
D522,512	S	*	6/2006	Little et al.	D14/385

7,159,763	B2	*	1/2007	Yap et al.	235/375
D580,438	S	*	11/2008	Kuchler	D14/385
D594,865	S	*	6/2009	Fahrendorff	D14/385
7,562,219	B2	*	7/2009	Lazaridis et al.	713/168
D637,189	S	*	5/2011	Hemming et al.	D14/385
D641,017	S	*	7/2011	Meng	D14/341
D650,381	S	*	12/2011	Park et al.	D14/341
D657,361	S	*	4/2012	Goodwin et al.	D14/434
D681,639	S	*	5/2013	Cruz et al.	D14/385
2012/0008268	A1	*	1/2012	Jiang et al.	361/679.4

* cited by examiner

Primary Examiner — Deanna L Pratt

(57) **CLAIM**

I claim the ornamental design for a electronic device and swipe card combination, substantially as shown and described.

DESCRIPTION

FIG. 1 is a front perspective view of the electronic device and swipe card combination in accordance with the present design.

FIG. 2 is a back perspective view of the electronic device and swipe card combination.

FIG. 3 is a front view of the electronic device and swipe card combination.

FIG. 4 is a back view of the electronic device and swipe card combination.

FIG. 5 is a front view of the swipe card.

FIG. 6 is a back view of the swipe card.

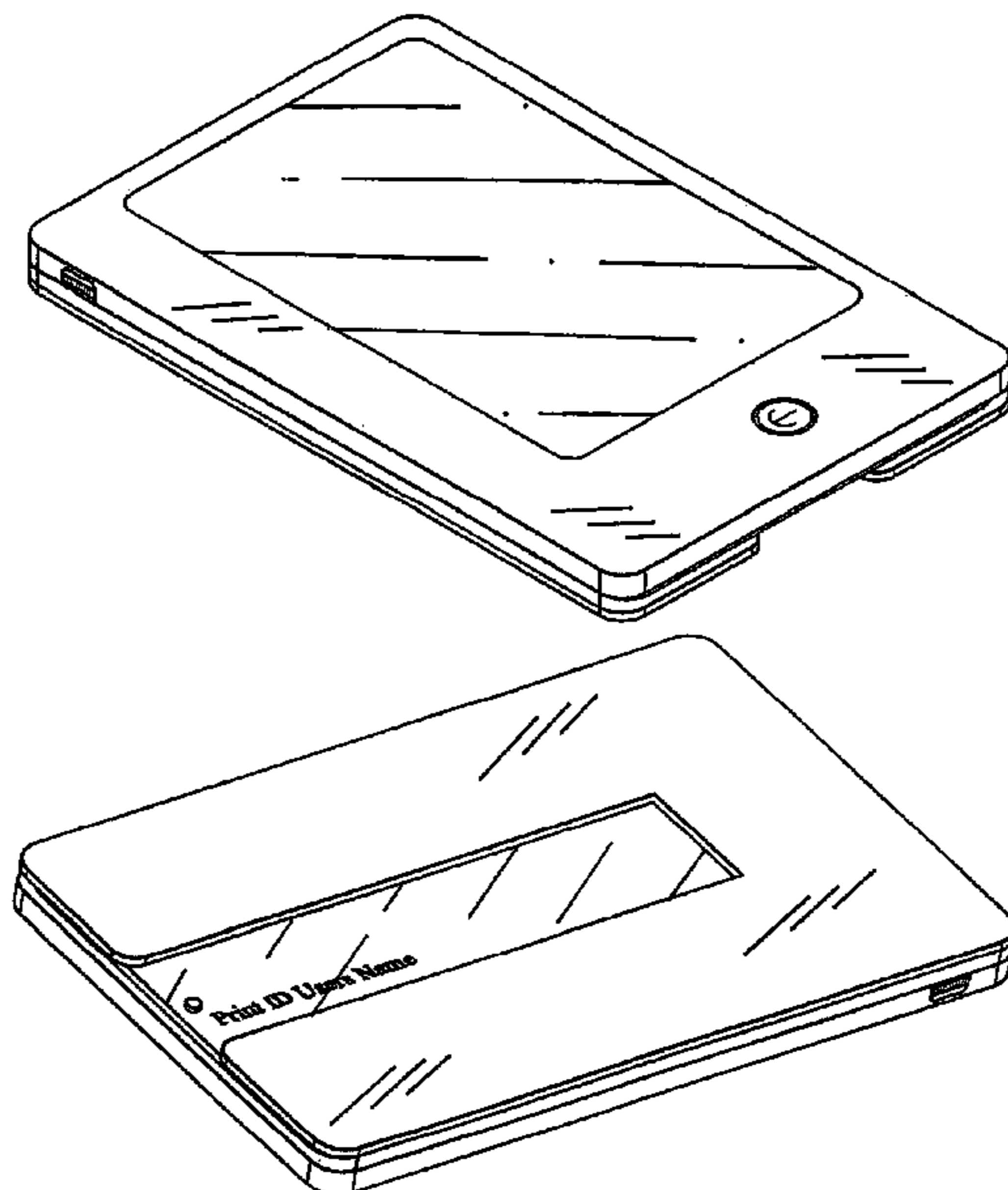
FIG. 7 is a top view of the electronic device and swipe card combination.

FIG. 8 is a bottom view of the electronic device and swipe card combination.

FIG. 9 is a left view of the electronic device and swipe card combination; and,

FIG. 10 is a right view of the electronic device and swipe card combination.

1 Claim, 4 Drawing Sheets



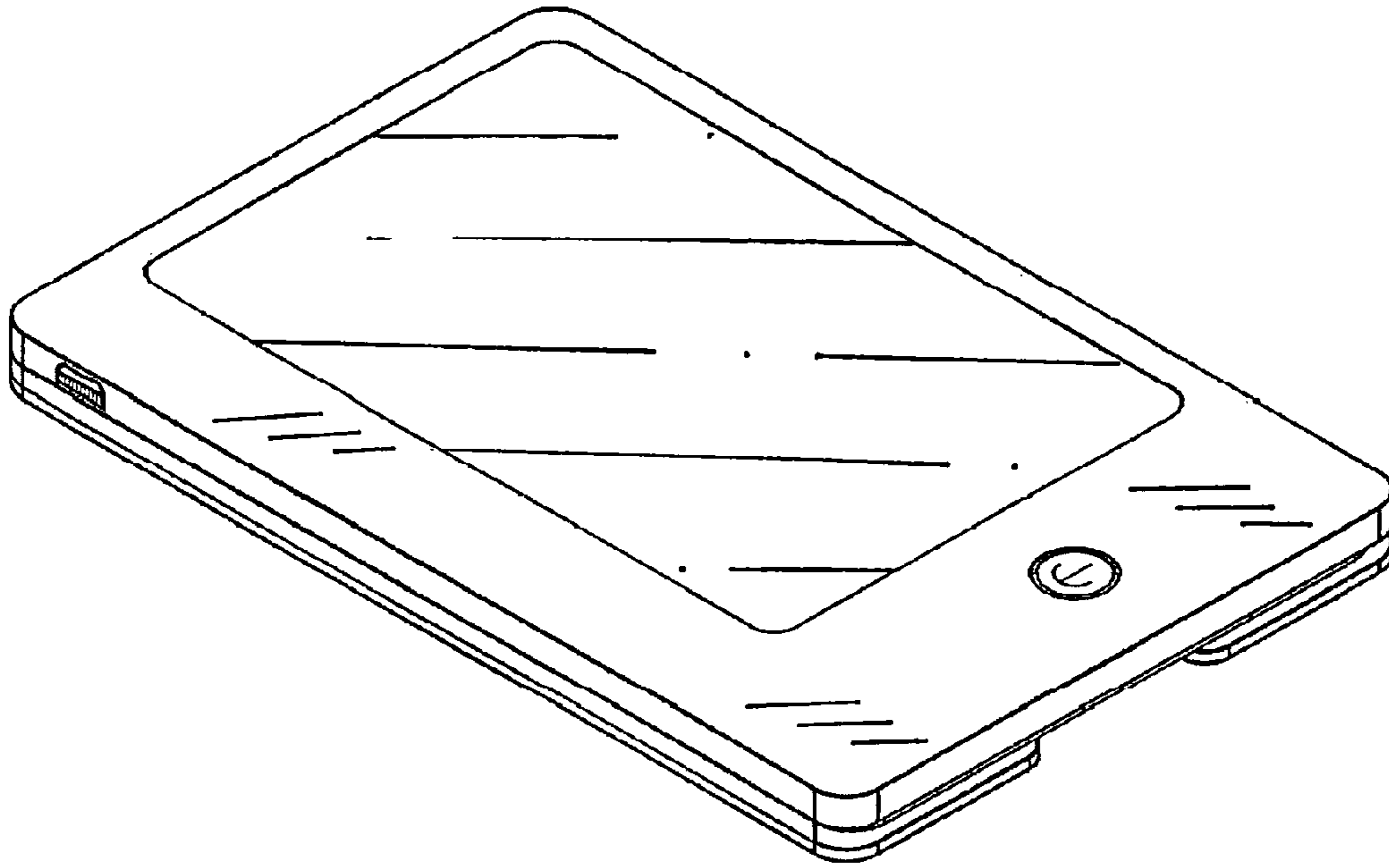


FIG. 1

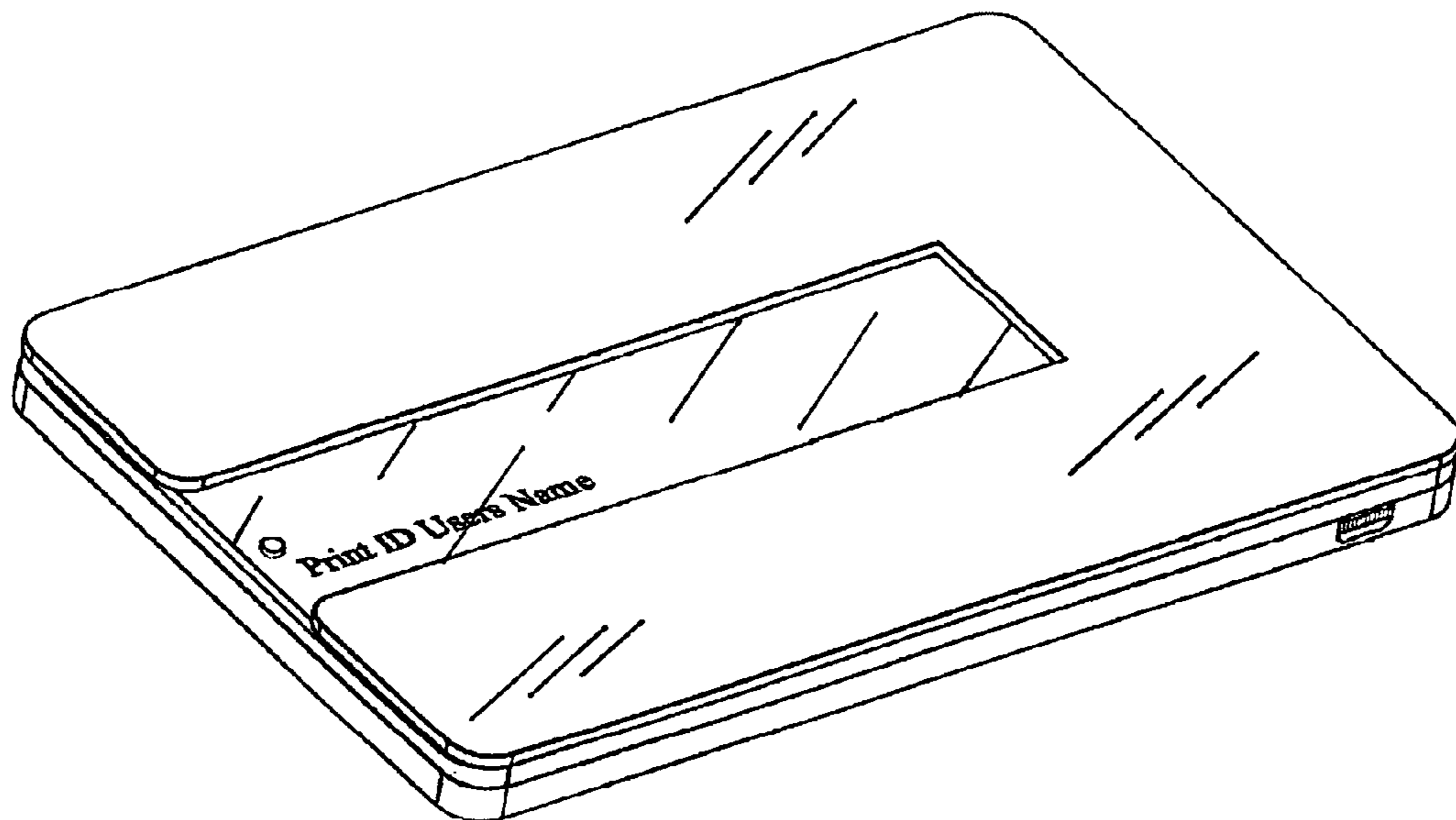


FIG. 2

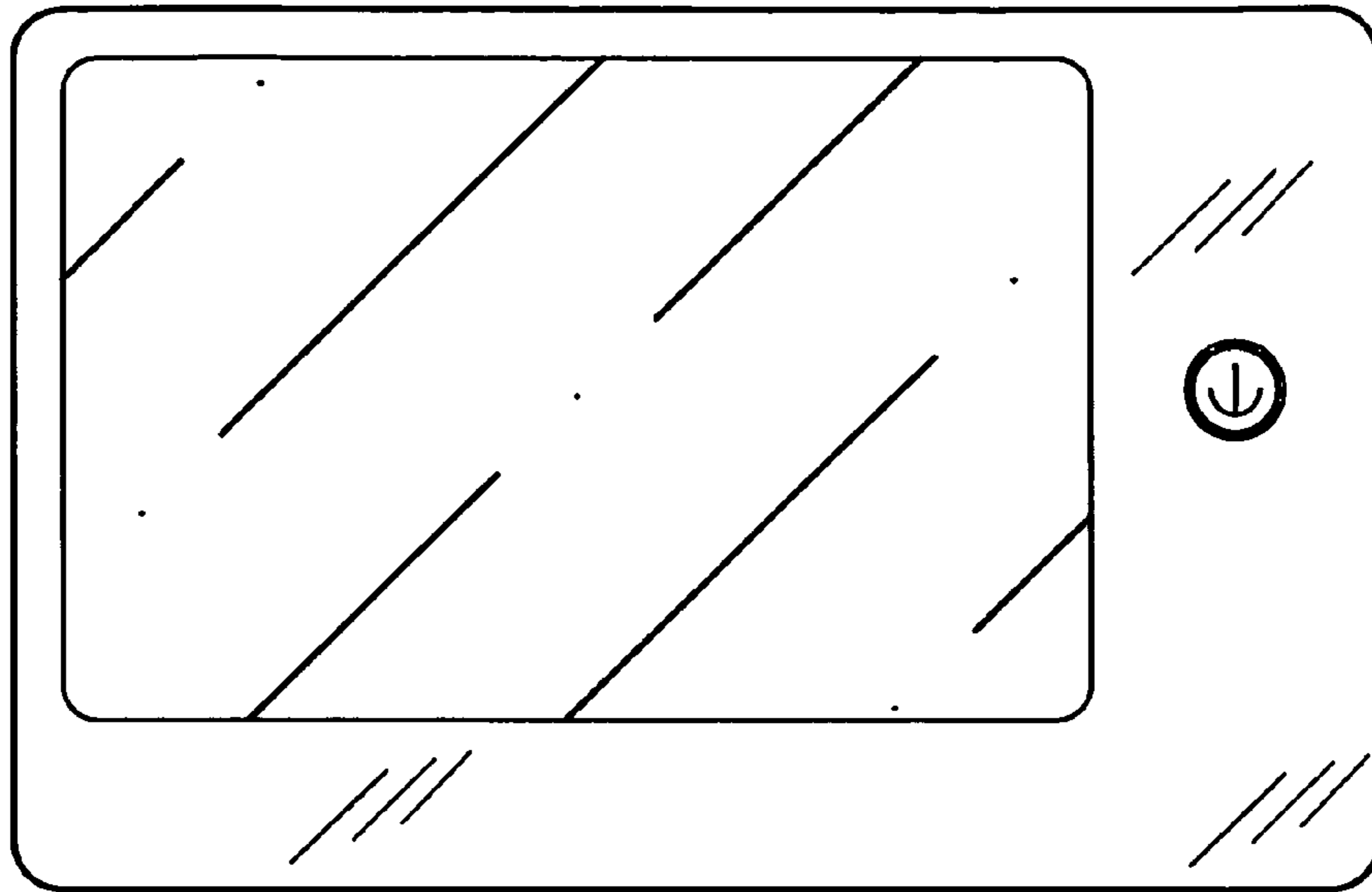


FIG. 3

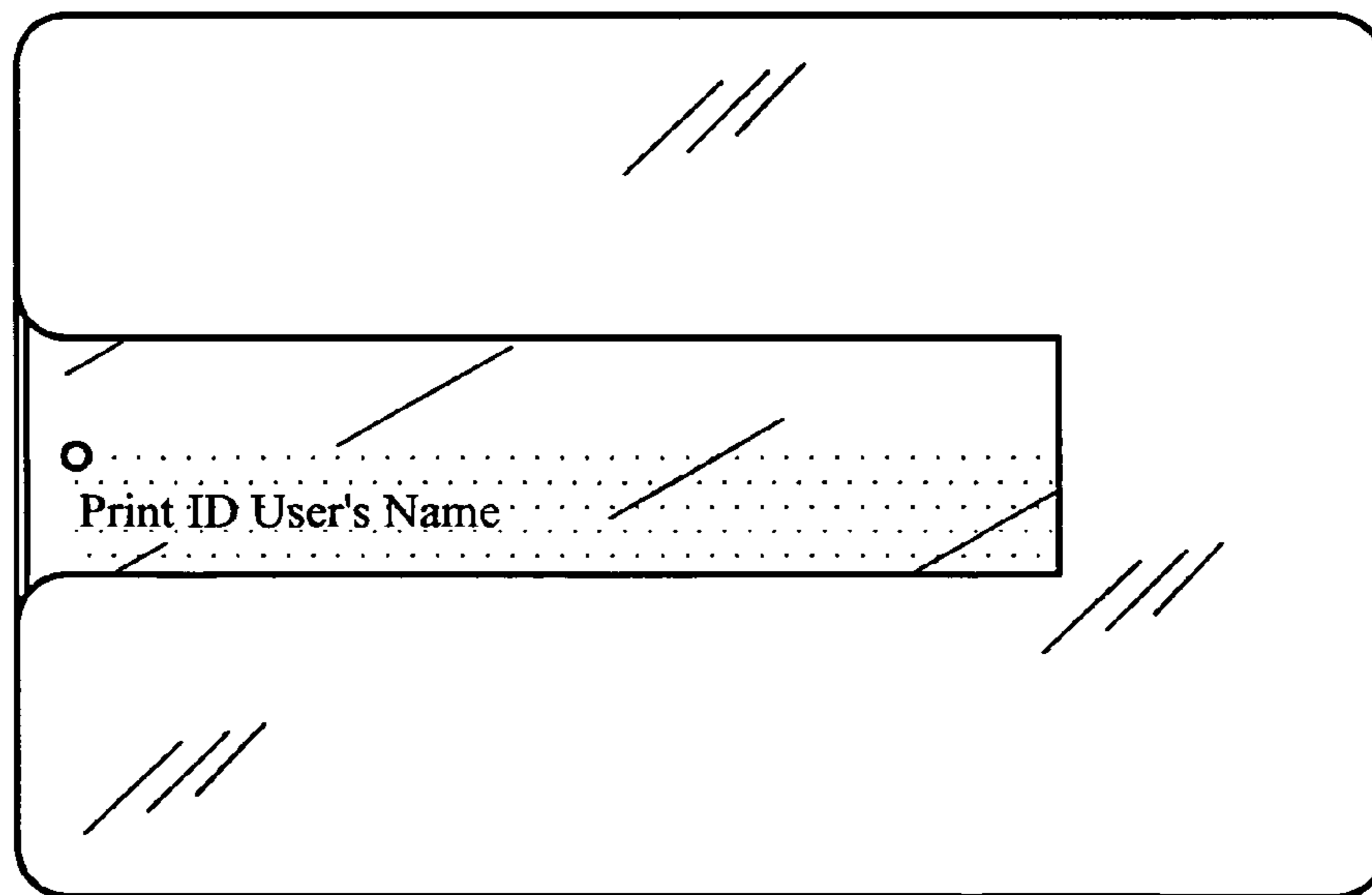


FIG. 4

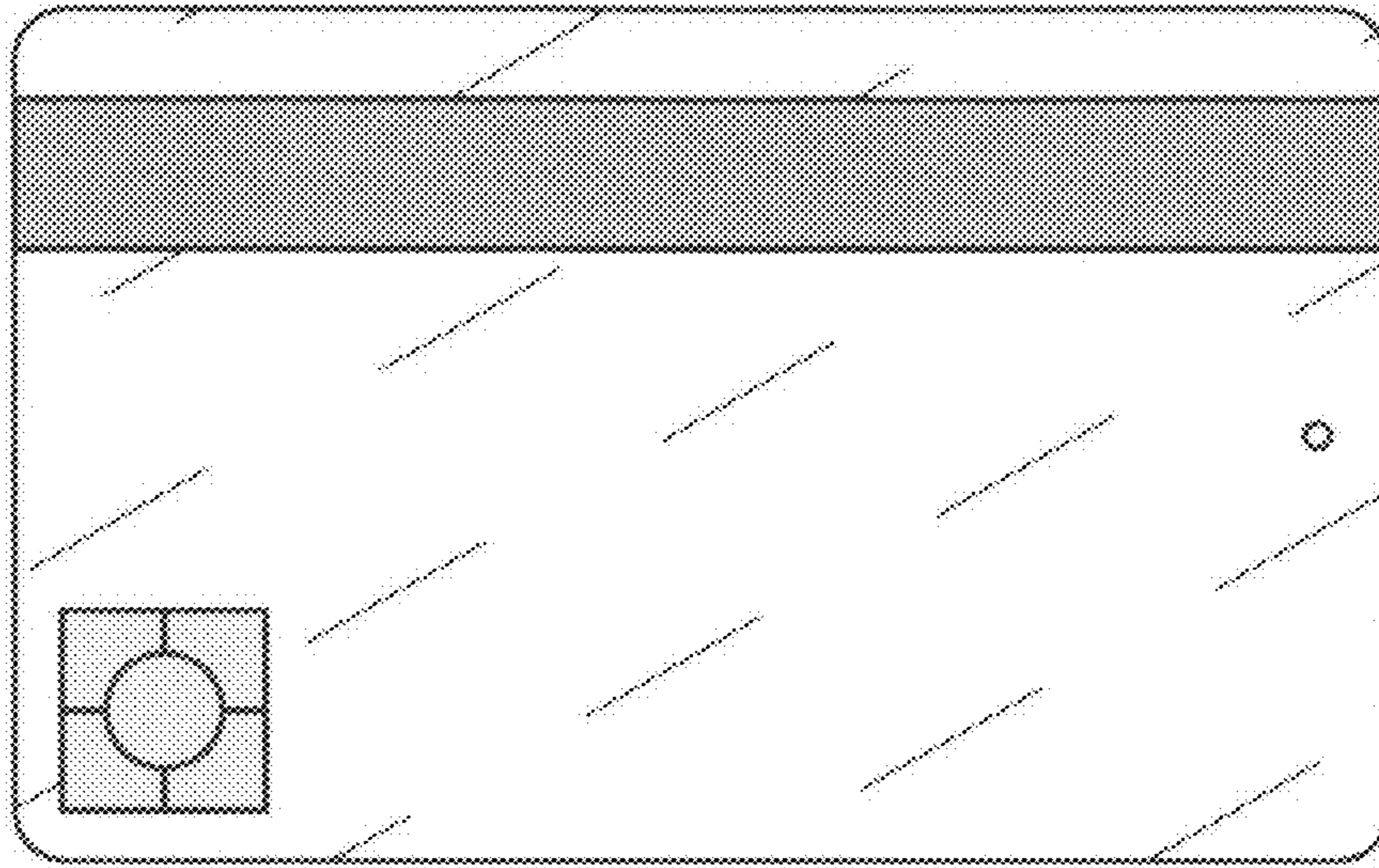


FIG. 5

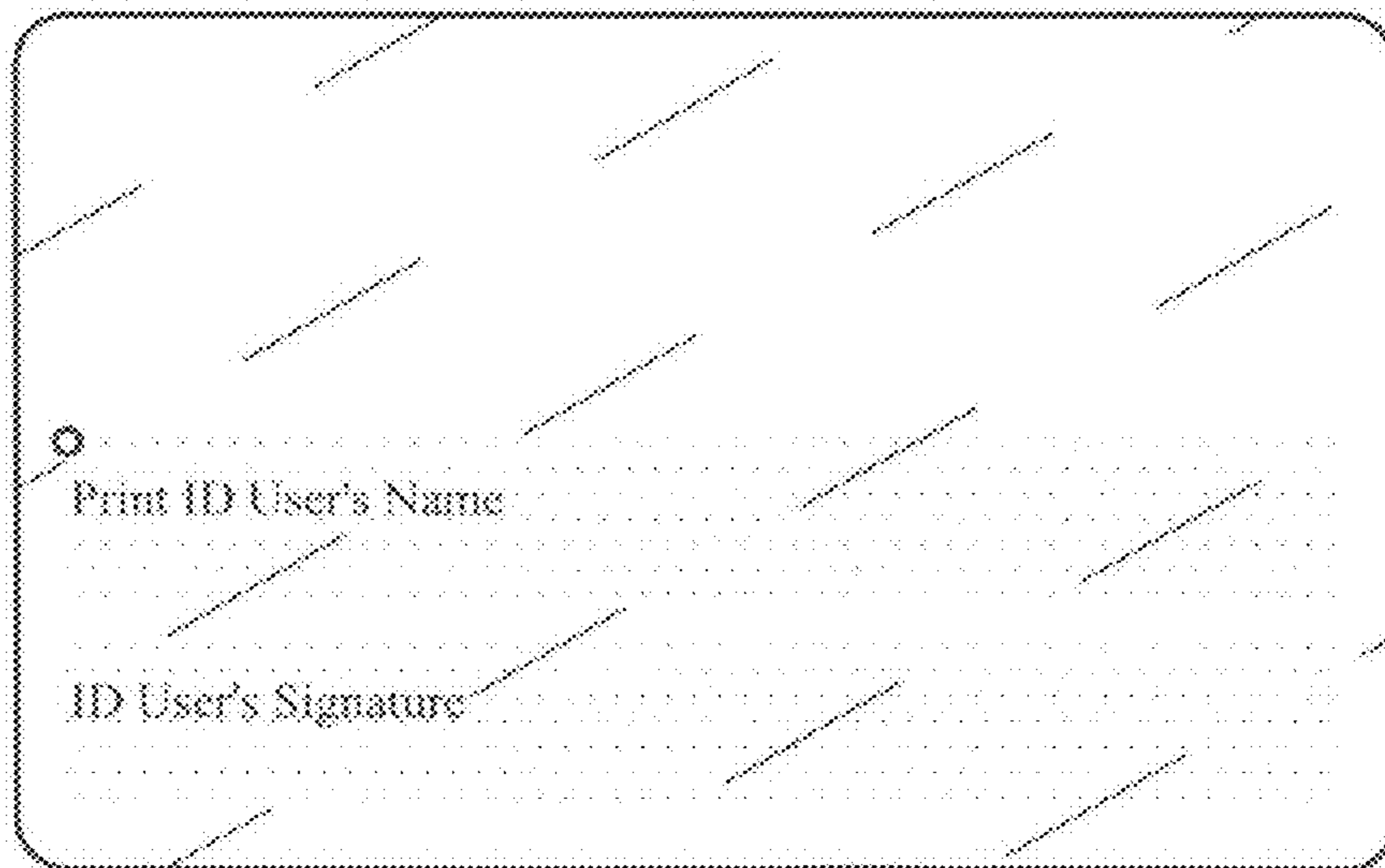


FIG. 6

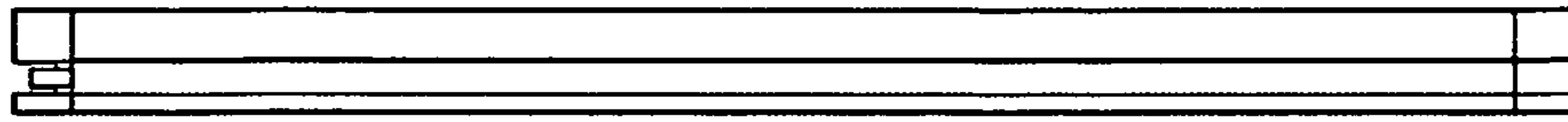


FIG. 7

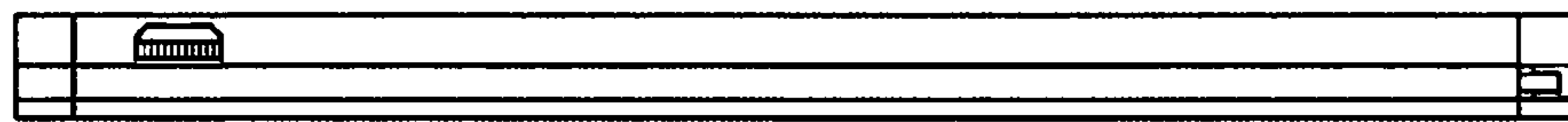


FIG. 8

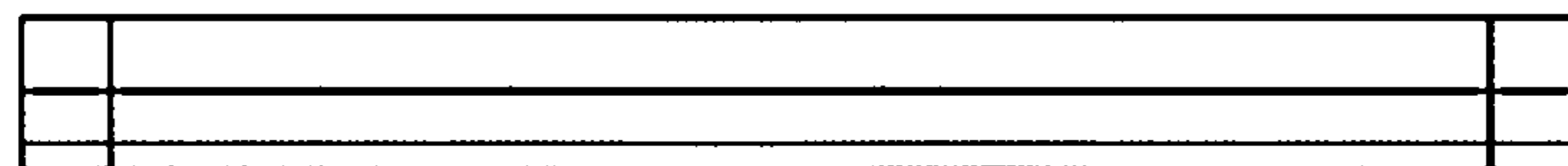


FIG. 9

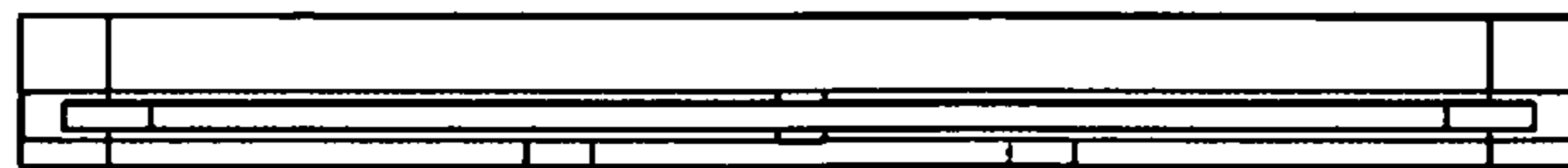


FIG. 10