



US00D723029S

(12) **United States Design Patent**
Seoc et al.

(10) **Patent No.:** **US D723,029 S**
(45) **Date of Patent:** **** Feb. 24, 2015**

(54) **COMPUTER INTEGRATED WITH A MONITOR**

(71) Applicant: **Samsung Electronics Co., Ltd.**,
Suwon-Si (KR)

(72) Inventors: **Ho-Young Seoc**, Yongin (KR); **Ji-Sang Park**, Yongin (KR); **Yeo-Wan Yun**,
Seongnam (KR)

(73) Assignee: **Samsung Electronics Co., Ltd.**,
Suwon-Si (KR)

(**) Term: **14 Years**

(21) Appl. No.: **29/458,197**

(22) Filed: **Jun. 17, 2013**

(30) **Foreign Application Priority Data**

Dec. 24, 2012 (KR) 30-2012-0061853

(51) **LOC (10) Cl.** **14-02**

(52) **U.S. Cl.**
USPC **D14/336**

(58) **Field of Classification Search**
USPC D14/371-375, 125-129, 336, 337, 341;
341/12; 345/104, 156, 168, 173;
348/180, 184, 325, 739; 349/1, 2, 11,
349/62; 361/679.05-679.07, 679.21;
D6/300, 308, 310

See application file for complete search history.

(56) **References Cited**

U.S. PATENT DOCUMENTS

D270,061 S	8/1983	Ackeret
D284,084 S	6/1986	Ferrara, Jr.
D306,583 S	3/1990	Krolopp et al.
D333,574 S	3/1993	Ackeret
D337,569 S	7/1993	Kando
5,267,123 A	11/1993	Boothroyd et al.
5,887,723 A	3/1999	Myles et al.

D416,238 S	11/1999	Irie et al.
6,067,224 A	5/2000	Nobuchi
6,259,597 B1	7/2001	Anzai et al.
D460,759 S	7/2002	West et al.
D463,797 S	10/2002	Andre et al.
6,519,139 B2	2/2003	Kambayashi
D476,005 S *	6/2003	Peng et al. D14/375

(Continued)

FOREIGN PATENT DOCUMENTS

KR	3005506890000	1/2010
KR	3005544080000	2/2010

(Continued)

OTHER PUBLICATIONS

Design U.S. Appl. No. 29/416,029 Applicant: Min-Jung Kim, et al.,
filed Mar. 16, 2012 entitled Tablet Computer.

(Continued)

Primary Examiner — Freda S Nunn

(74) *Attorney, Agent, or Firm* — Wood, Herron & Evans,
LLP

(57) **CLAIM**

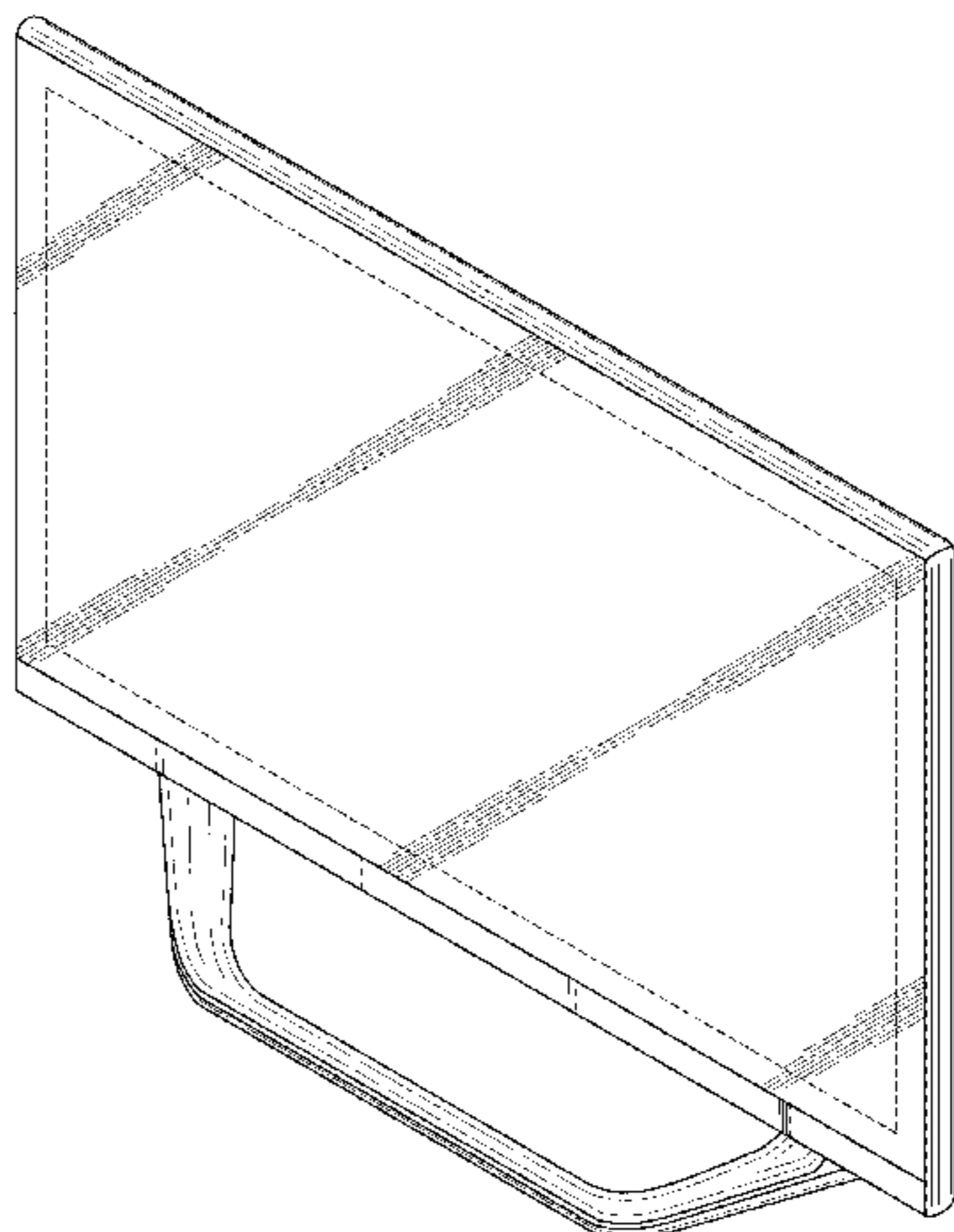
The ornamental design for a computer integrated with a monitor, as shown and described.

DESCRIPTION

FIG. 1 is a top front perspective view of a computer integrated with a monitor showing our new design;
FIG. 2 is a front view thereof;
FIG. 3 is a rear view thereof;
FIG. 4 is a left side view thereof;
FIG. 5 is a right side view thereof;
FIG. 6 is a top view thereof; and,
FIG. 7 is a bottom view thereof.

The broken lines illustrating portions of the computer integrated with a monitor are for environmental purposes only and form no part of the claimed design.

1 Claim, 5 Drawing Sheets



(56)

References Cited

U.S. PATENT DOCUMENTS

D483,367 S	*	12/2003	Olson et al.	D14/375	D651,597 S	1/2012	Lee et al.
D490,420 S		5/2004	Solomon et al.		D651,598 S	1/2012	Kim et al.
6,775,129 B1		8/2004	Ghosh et al.		D651,599 S	1/2012	Kim et al.
6,781,819 B2		8/2004	Yang et al.		D651,600 S	1/2012	Lee et al.
6,785,128 B1		8/2004	Yun		D652,415 S	1/2012	Lee et al.
D499,704 S		12/2004	Song		D652,416 S	1/2012	Park et al.
6,829,140 B2		12/2004	Shimano et al.		D652,417 S	1/2012	Lee et al.
D500,991 S		1/2005	Niitsu		D652,831 S	1/2012	Lee et al.
D504,889 S		5/2005	Andre et al.		D654,073 S	2/2012	Li
D514,568 S	*	2/2006	Huang et al.	D14/375	D654,468 S	2/2012	Duan et al.
D517,545 S		3/2006	Buckel et al.		D654,498 S	2/2012	Hwang et al.
D532,791 S		11/2006	Kim		D654,893 S	2/2012	Jung
D540,790 S		4/2007	Kim et al.		D657,785 S	4/2012	Lee et al.
D558,460 S		1/2008	Yu et al.		D658,173 S	4/2012	Kim
D563,804 S		3/2008	Kimura et al.		D659,692 S	5/2012	Jung et al.
D564,511 S		3/2008	Akhtar		D661,294 S	6/2012	Park et al.
D579,930 S		11/2008	Maskatia		D661,295 S	6/2012	Park et al.
D584,738 S		1/2009	Kim et al.		D661,299 S	6/2012	Kim et al.
D587,710 S		3/2009	Han		D661,300 S	6/2012	Kim et al.
D588,126 S		3/2009	Chiang et al.		D661,301 S	6/2012	Kim et al.
D589,511 S		3/2009	Han		D661,302 S	6/2012	Fukasawa et al.
D589,958 S		4/2009	Han		D663,281 S	7/2012	Hwang
D590,374 S		4/2009	Madonna et al.		D663,298 S	7/2012	Song et al.
D592,212 S		5/2009	Hamada et al.		D664,532 S	7/2012	Lee
D592,214 S		5/2009	Bradford		D664,533 S	7/2012	Lee et al.
7,542,284 B1		6/2009	Wilson, Sr.		D664,534 S	7/2012	Lee et al.
D601,138 S		9/2009	Solomon et al.		D664,535 S	7/2012	Lee et al.
D602,014 S		10/2009	Andre et al.		D664,540 S	7/2012	Kim et al.
D602,487 S		10/2009	Maskatia		D664,954 S	8/2012	Kim et al.
D604,291 S		11/2009	Andre et al.		D664,955 S	8/2012	Kim et al.
D605,628 S		12/2009	Ando		D666,198 S	8/2012	Van Den Nieuwenhuizen et al.
D606,539 S		12/2009	Liao et al.		D667,396 S	9/2012	Koh
D606,961 S		12/2009	Aarras		D667,397 S	9/2012	Koh
D610,582 S		2/2010	Sugitani et al.		D667,398 S	9/2012	Koh
D611,364 S		3/2010	Lenz et al.		D667,399 S	9/2012	Koh
D613,510 S		4/2010	Tzeng et al.		D667,825 S	9/2012	Jung
D613,951 S		4/2010	Tang et al.		D668,650 S	10/2012	Han
D616,440 S		5/2010	Lee		D668,651 S	10/2012	Kim et al.
D616,886 S		6/2010	Andre et al.		D669,070 S	10/2012	Hsu et al.
D617,793 S		6/2010	Chiang et al.		D669,074 S	* 10/2012	Chiu D14/371
D622,270 S		8/2010	Andre et al.		D669,468 S	10/2012	Akana et al.
D624,914 S		10/2010	Wang		D669,469 S	10/2012	Kang
D625,306 S		10/2010	Miyawaki		D670,286 S	11/2012	Akana et al.
D626,124 S		10/2010	Chyan et al.		D670,692 S	11/2012	Akana et al.
D626,437 S		11/2010	Lee et al.		D671,111 S	11/2012	Kim et al.
D627,667 S		11/2010	Lenz et al.		D671,514 S	11/2012	Kim et al.
D628,913 S		12/2010	Cheng		D671,536 S	11/2012	Fukasawa et al.
D629,771 S		12/2010	Haspil et al.		D671,539 S	11/2012	Kim et al.
D629,799 S		12/2010	Andre et al.		D672,344 S	12/2012	Li
D630,636 S		1/2011	Jeon et al.		D672,345 S	12/2012	Li
D631,455 S		1/2011	Kim et al.		D672,768 S	12/2012	Huang et al.
D631,469 S		1/2011	Demskie et al.		D673,561 S	1/2013	Hyun et al.
D631,961 S		2/2011	Held		D673,950 S	1/2013	Li et al.
D633,498 S		3/2011	Andre et al.		D674,384 S	1/2013	Zhang
D634,318 S		3/2011	Buckle et al.		D674,538 S	1/2013	Macko et al.
D634,745 S		3/2011	Park et al.		D675,203 S	1/2013	Yang
7,916,889 B2		3/2011	Takakusaki		D676,538 S	2/2013	Fehring
D636,391 S		4/2011	Shen et al.		D677,181 S	3/2013	Lenz et al.
D636,769 S		4/2011	Wood et al.		D677,255 S	3/2013	McManigal et al.
D636,770 S		4/2011	Li		D677,660 S	3/2013	Groene et al.
D638,392 S		5/2011	Price et al.		D678,271 S	3/2013	Chiu
D638,412 S		5/2011	Lee		D680,533 S	4/2013	Song et al.
D639,226 S		6/2011	Juergens et al.		D682,264 S	5/2013	Kim et al.
D639,804 S		6/2011	Hwang et al.		D682,821 S	5/2013	Kim et al.
D639,805 S		6/2011	Song et al.		D682,822 S	5/2013	Kim et al.
D639,806 S		6/2011	Lee et al.		D682,823 S	5/2013	Park et al.
D640,220 S		6/2011	Shyu et al.		D682,824 S	5/2013	Kim et al.
D640,255 S		6/2011	Lee et al.		D682,825 S	5/2013	Kim et al.
D641,018 S		7/2011	Lee et al.		D682,826 S	5/2013	Kim et al.
7,986,983 B2		7/2011	Harmon et al.		D682,827 S	5/2013	Park et al.
D645,465 S		9/2011	Lin et al.		D682,828 S	5/2013	Kim et al.
D645,833 S		9/2011	Seflic et al.		D686,202 S	7/2013	Lee et al.
D646,902 S		10/2011	Woo et al.		D686,203 S	7/2013	Lee et al.
D650,381 S		12/2011	Park et al.		D687,029 S	7/2013	Park et al.
D651,206 S		12/2011	Kim et al.		D687,430 S	8/2013	Park et al.
					D687,818 S	8/2013	Lee et al.
					D687,819 S	8/2013	Jung et al.
					D687,824 S	8/2013	Chun et al.
					D687,825 S	8/2013	Lee et al.

(56)

References Cited

U.S. PATENT DOCUMENTS

D687,826	S	8/2013	Jeon et al.
D687,827	S	8/2013	Song et al.
D687,831	S	8/2013	Kim
D688,236	S	8/2013	Lee
D689,046	S	9/2013	Park et al.
D692,423	S	10/2013	Kim et al.
2003/0048595	A1	3/2003	Hsieh et al.
2003/0151888	A1	8/2003	Chien et al.
2005/0018396	A1	1/2005	Nakajima et al.
2005/0041378	A1	2/2005	Hamada et al.
2009/0201254	A1*	8/2009	Rais 345/168
2009/0231292	A1	9/2009	Hsieh et al.
2011/0074740	A1	3/2011	Liu
2011/0294555	A1	12/2011	Happonen et al.
2012/0092195	A1	4/2012	Lin

FOREIGN PATENT DOCUMENTS

KR	3005639120000	6/2010
KR	3005639130000	6/2010
KR	3005680110000	7/2010
KR	3005804720000	11/2010
KR	3005869900000	1/2011
KR	3005942330000	3/2011
KR	3005958550000	4/2011
KR	3005985190000	5/2011
KR	3005994750000	5/2011
KR	3006004150000	5/2011
KR	3006004300000	5/2011
KR	3006013110001	6/2011
KR	3006013130000	6/2011
KR	3006013160000	6/2011
KR	3006013170000	6/2011
KR	3006046440000	7/2011
KR	3006052790000	7/2011
KR	3006052810000	7/2011
KR	3006052820000	7/2011
KR	3006052830000	7/2011
KR	3006059710000	7/2011
KR	3006063210000	7/2011
KR	3006064090000	7/2011
KR	3006083610000	8/2011
KR	3006083630000	8/2011
KR	3006083640000	8/2011
KR	3006083650000	8/2011
KR	3006083710000	8/2011
KR	3006083730000	8/2011
KR	3006085180000	8/2011

OTHER PUBLICATIONS

Design U.S. Appl. No. 29/416,032 Applicant: Min-Jung Kim, et al., filed Mar. 16, 2012 entitled Tablet Computer.

Design U.S. Appl. No. 29/418,670 Applicant: Byeong-Yong Song, et al., filed Apr. 19, 2012 entitled Tablet Computer.

Design U.S. Appl. No. 29/419,893 Applicant: Ik-Sang Kim, et al., filed May 2, 2012 entitled Slate Computer.

Design U.S. Appl. No. 29/419,907 Applicant: Ik-Sang Kim, et al., filed May 2, 2012 entitled Slate Computer.

Design U.S. Appl. No. 29/420,669 Applicant: Woo-Teik Lim, et al., filed May 11, 2012 entitled Tablet Computer.

Design U.S. Appl. No. 29/425,977 Applicant: Ji-Sang Park, et al., filed Jun. 28, 2012 entitled Tablet Computer.

Design U.S. Appl. No. 29/425,978 Applicant: Woo-Teik Lim, et al., filed Jun. 28, 2012 entitled Tablet Computer.

Design U.S. Appl. No. 29/427,736 Applicant: Min-Jung Kim, et al., filed Jul. 21, 2012 entitled Tablet Computer.

Design U.S. Appl. No. 29/431,774 Applicant: Sang-Eun Lee, et al., filed Sep. 11, 2012 entitled Tablet Computer.

Design U.S. Appl. No. 29/435,870 Inventor: Son-Young Lee, et al., filed Oct. 30, 2012 entitled Portable Computer.

Design U.S. Appl. No. 29/435,889 Inventor: Dong-Seok Lee, et al., filed Oct. 30, 2012 entitled Portable Computer.

Design U.S. Appl. No. 29/438,934 Inventor: Ik-Sang Kim, et al., filed Dec. 5, 2012 entitled Slate Computer.

Design U.S. Appl. No. 29/438,948 Inventor: Chung-Ha Kim, et al., filed Dec. 5, 2012 entitled Portable Computer.

Design U.S. Appl. No. 29/438,951 Inventor: Chung-Ha Kim, et al., filed Dec. 5, 2012 entitled Portable Computer.

Design U.S. Appl. No. 29/441,093 Inventor: Chang-Ho Lee, et al., filed Dec. 31, 2012 entitled Portable Computer.

Design U.S. Appl. No. 29/441,101 Inventor: Chang-Ho Lee, et al., filed Dec. 31, 2012 entitled Portable Computer.

Design U.S. Appl. No. 29/441,112 Inventor: Chang-Ho Lee, et al., filed Dec. 31, 2012 entitled Portable Computer.

Design U.S. Appl. No. 29/441,114 Inventor: Chang-Ho Lee, et al., filed Dec. 31, 2012 entitled Portable Computer.

Design U.S. Appl. No. 29/441,179 Inventor: Chang-Ho Lee, et al., filed Jan. 2, 2013 entitled Portable Computer.

Design U.S. Appl. No. 29/452,297 Inventor: Min-Hee Lee, et al., filed Apr. 15, 2013 entitled Notebook Computer.

Design U.S. Appl. No. 29/452,583 Inventor: Seung-Ho Jung, et al., filed Apr. 18, 2013 entitled Portable Computer.

Design U.S. Appl. No. 29/452,586 Inventor: Seung-Ho Jung, et al., filed Apr. 18, 2013 entitled Portable Computer.

Design U.S. Appl. No. 29/452,852 Inventor: Son-Young Lee, et al., filed Apr. 18, 2013 entitled Portable Computer.

Design U.S. Appl. No. 29/452,588 Inventor: Chung-Ha Kim, et al., filed Apr. 18, 2013 entitled Portable Computer.

Design U.S. Appl. No. 29/452,592 Inventor: Son-Young Lee, et al., filed Apr. 18, 2013 entitled Portable Computer.

Design U.S. Appl. No. 29/452,593 Inventor: Woo-Teik Lim, et al., filed Apr. 18, 2013 entitled Slate Computer.

Design U.S. Appl. No. 29/452,594 Inventor: Son-Young Lee, et al., filed Apr. 18, 2013 entitled Portable Computer.

Design U.S. Appl. No. 29/452,595 Inventor: Ho-Young Seoc, et al., filed Apr. 18, 2013 entitled Slate Computer.

Design U.S. Appl. No. 29/452,601 Inventor: Ji-Sang Park, et al., filed Apr. 18, 2013 entitled Portable Computer.

Design U.S. Appl. No. 29/456,501 Inventor: Se-Hun Oh, et al., filed May 31, 2013 entitled Portable Computer.

Design U.S. Appl. No. 29/457,839 Inventor: Son-Young Lee, et al., filed Jun. 13, 2013 entitled Portable Computer.

Design U.S. Appl. No. 29/457,846 Inventor: Son-Young Lee, et al., filed Jun. 13, 2013 entitled Body of Portable Computer.

Design U.S. Appl. No. 29/457,848 Inventor: Son-Young Lee, et al., filed Jun. 13, 2013 entitled Portable Computer.

Design U.S. Appl. No. 29/457,852 Inventor: Son-Young Lee, et al., filed Jun. 13, 2013 entitled Body of Portable Computer.

Design U.S. Appl. No. 29/457,859 Inventor: Son-Young Lee, et al., filed Jun. 13, 2013 entitled Portable Computer.

Design U.S. Appl. No. 29/457,864 Inventor: Son-Young Lee, et al., filed Jun. 13, 2013 entitled Portable Computer.

Design U.S. Appl. No. 29/457,867 Inventor: Son-Young Lee, et al., filed Jun. 13, 2013 entitled Portable Computer.

Design U.S. Appl. No. 29/457,870 Inventor: Son-Young Lee, et al., filed Jun. 13, 2013 entitled Body of Portable Computer.

Design U.S. Appl. No. 29/457,871 Inventor: Son-Young Lee, et al., filed Jun. 13, 2013 entitled Display for a Portable Computer.

Design U.S. Appl. No. 29/457,873 Inventor: Son-Young Lee, et al., filed Jun. 13, 2013 entitled Portable Computer.

Design U.S. Appl. No. 29/457,874 Inventor: Won-Suk Chung, et al., filed Jun. 13, 2013 entitled Body of Portable Computer.

Design U.S. Appl. No. 29/457,875 Inventor: Son-Young Lee, et al., filed Jun. 13, 2013 entitled Display for a Portable Computer.

Design U.S. Appl. No. 29/458,191 Inventor: Ji-Eun Myung, et al., filed Jun. 28, 2013 entitled Portable Computer.

Design U.S. Appl. No. 29/458,200 Inventor: Ji-Eun Myung, et al., filed Jun. 28, 2013 entitled Body of Portable Computer.

Design U.S. Appl. No. 29/458,204 Inventor: Ji-Eun Myung, et al., filed Jun. 28, 2013 entitled Portable Computer.

Design U.S. Appl. No. 29/458,206 Inventor: Ji-Eun Myung, et al., filed Jun. 28, 2013 entitled Body of Portable Computer.

Design U.S. Appl. No. 29/458,207 Inventor: Ji-Eun Myung, et al., filed Jun. 28, 2013 entitled Display for a Portable Computer.

(56)

References Cited

OTHER PUBLICATIONS

Design U.S. Appl. No. 29/458,277 Inventor: Ji-Eun Myung, et al.,
filed Jun. 28, 2013 entitled Display for a Portable Computer.
Design U.S. Appl. No. 29/458,285 Inventor: Ji-Eun Myung, et al.,
filed Jun. 28, 2013 entitled Display for a Portable Computer.

Design U.S. Appl. No. 29/458,289 Inventor: Ji-Eun Myung, et al.,
filed Jun. 28, 2013 entitled Body of Portable Computer.

Design U.S. Appl. No. 29/452,587 Inventor: Sung-Jin Yum, et al.,
filed Apr. 18, 2013 entitled Portable Computer.

Design U.S. Appl. No. 29/458,186 Inventor: Ji-Eun Myung, et al.,
filed Jun. 28, 2013 entitled Portable Computer.

* cited by examiner

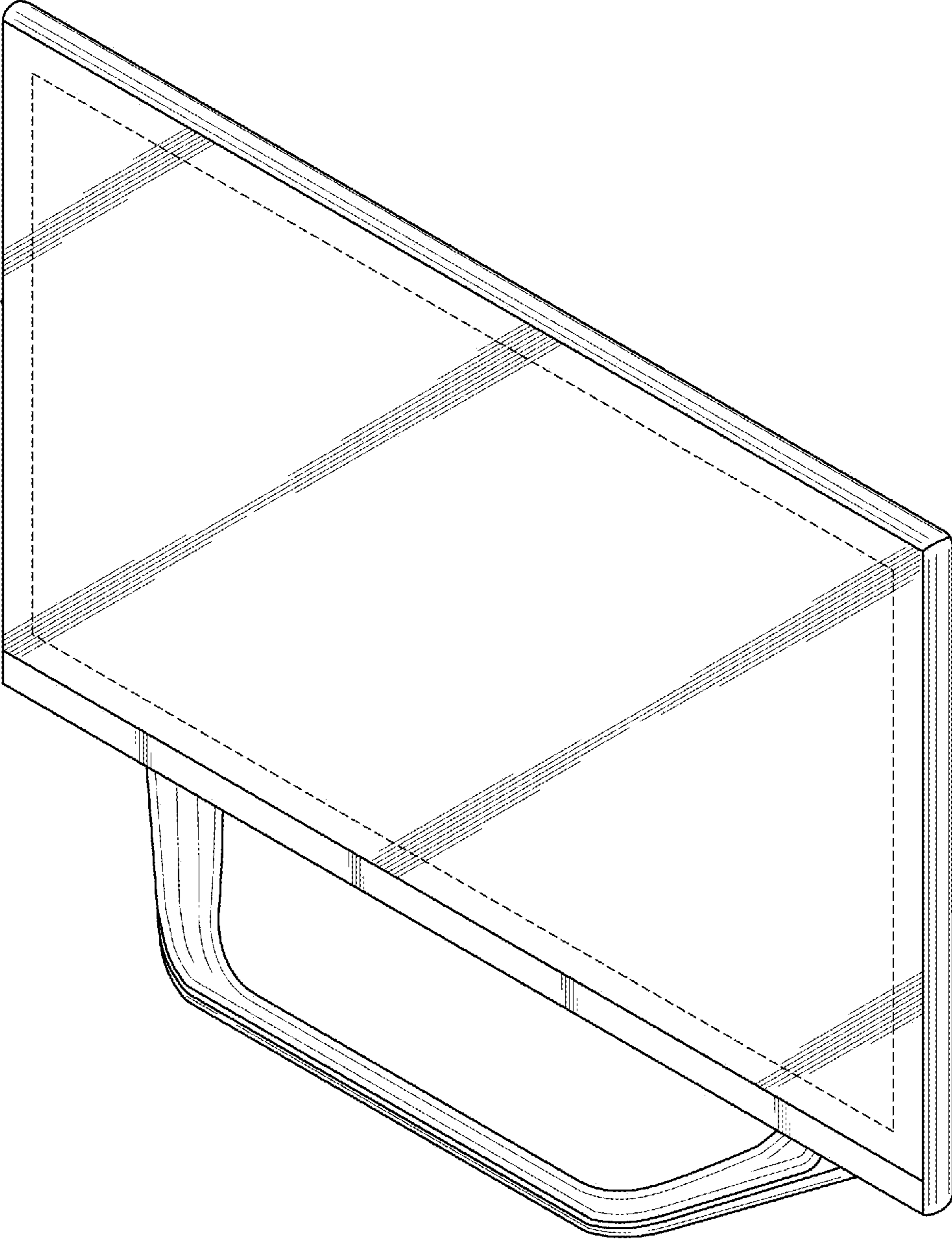


FIG. 1

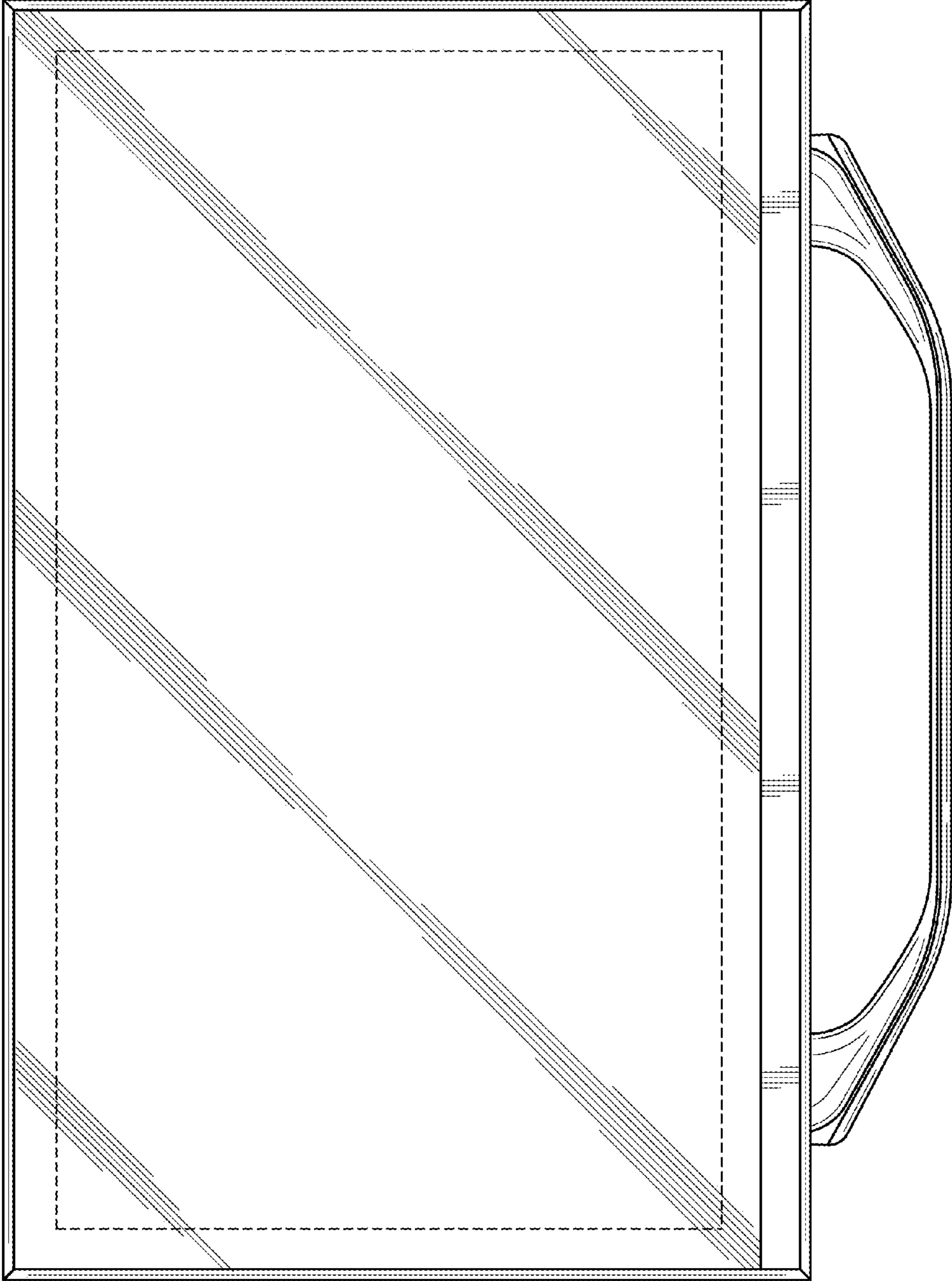


FIG.2

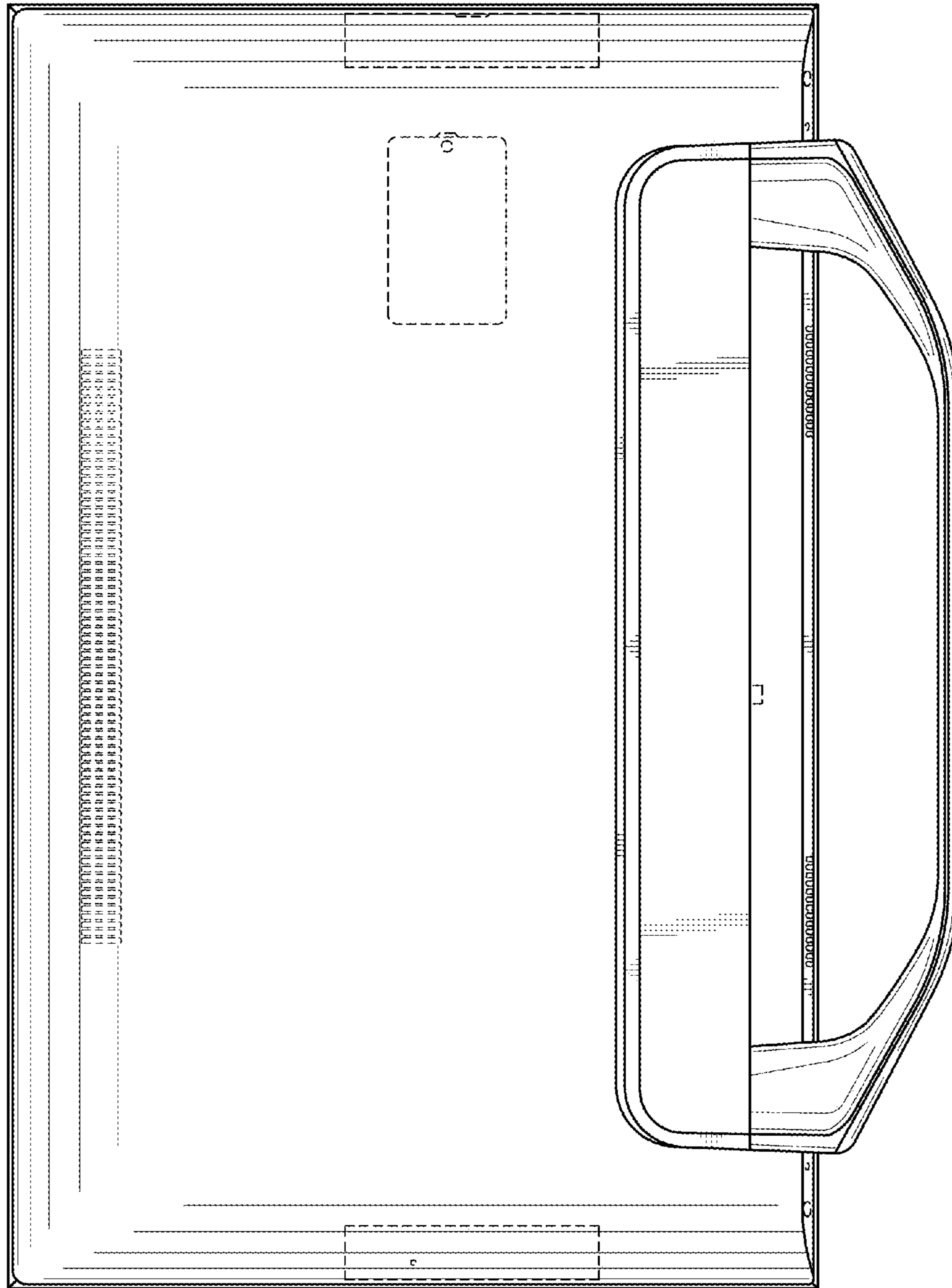


FIG.3

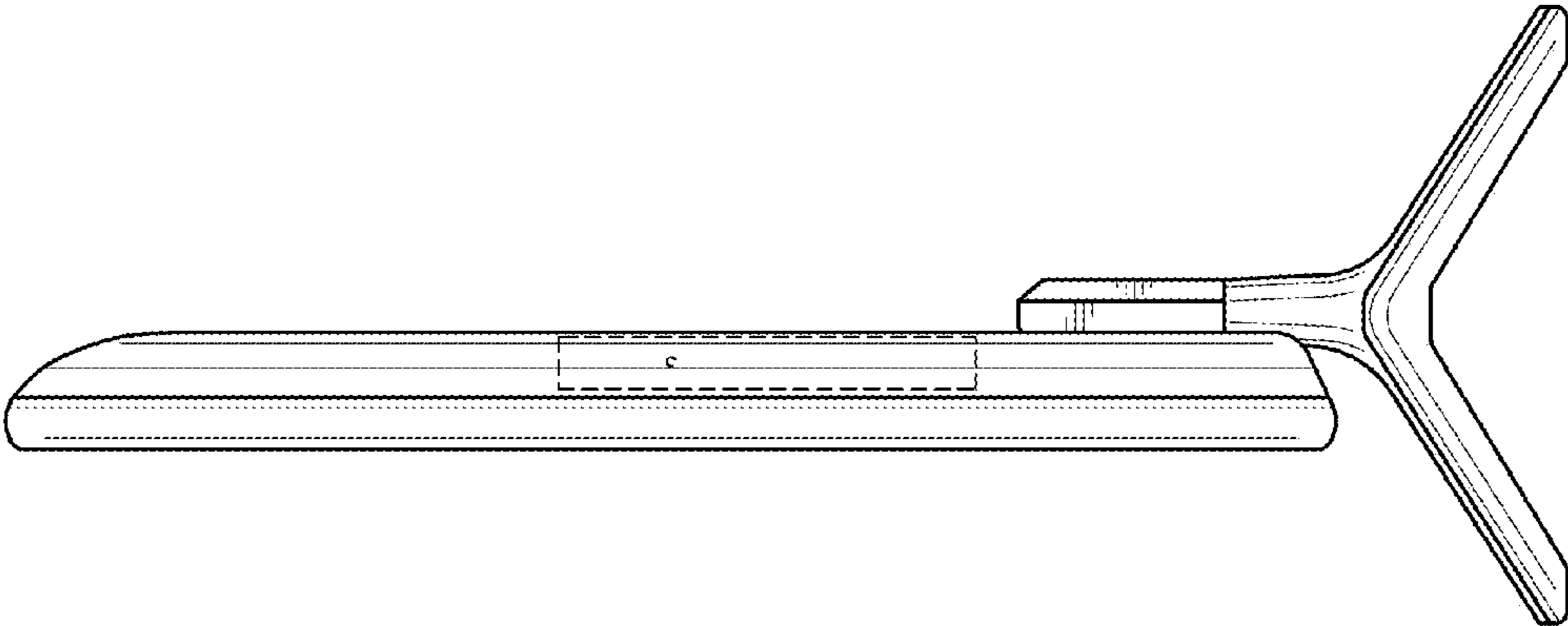


FIG.5

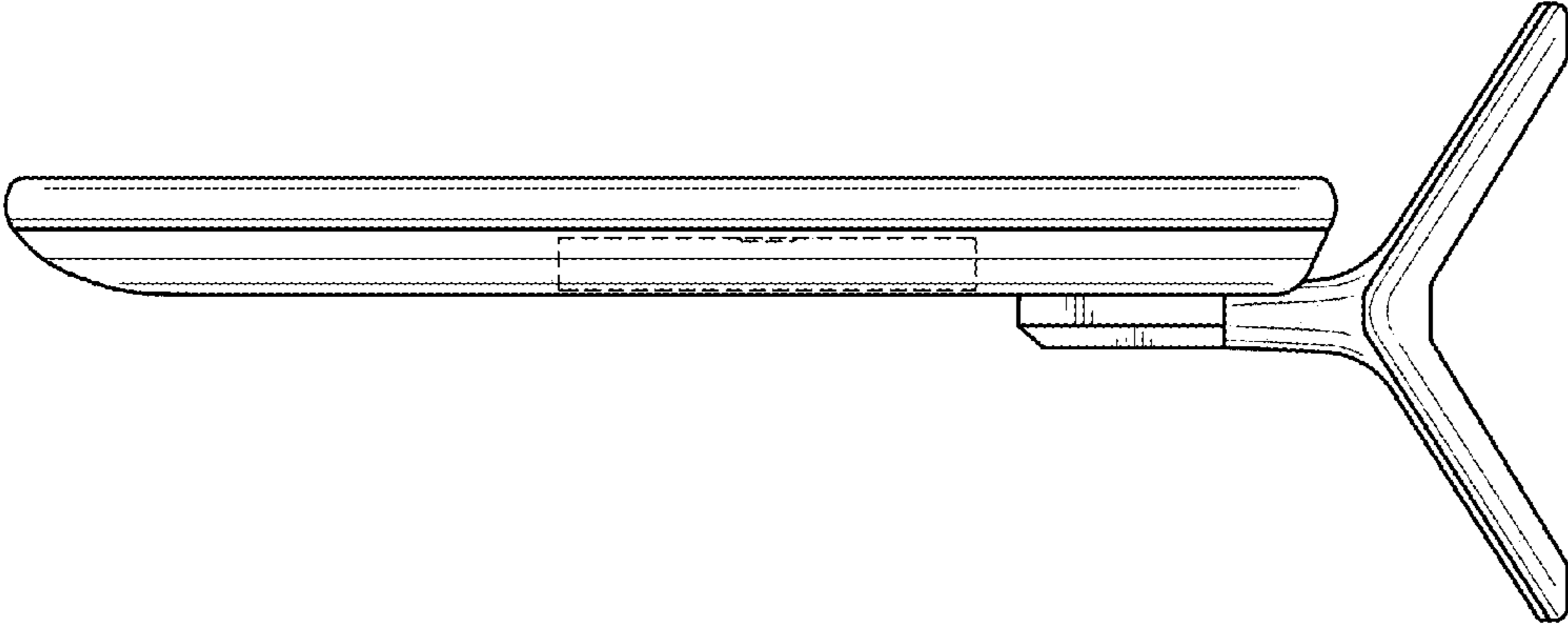


FIG.4

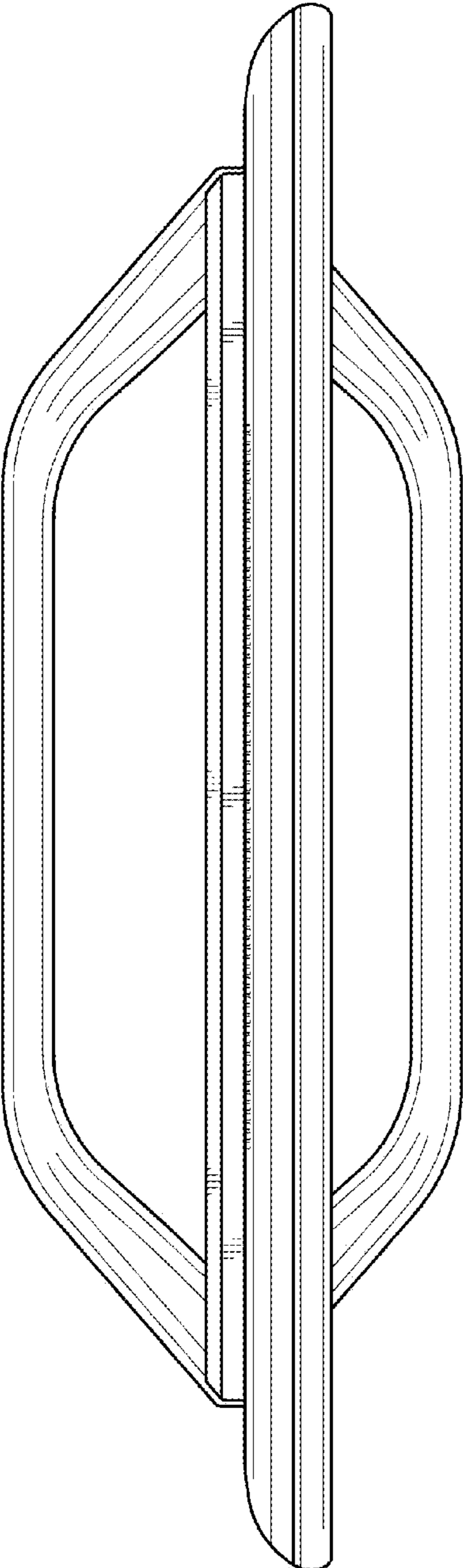


FIG. 6

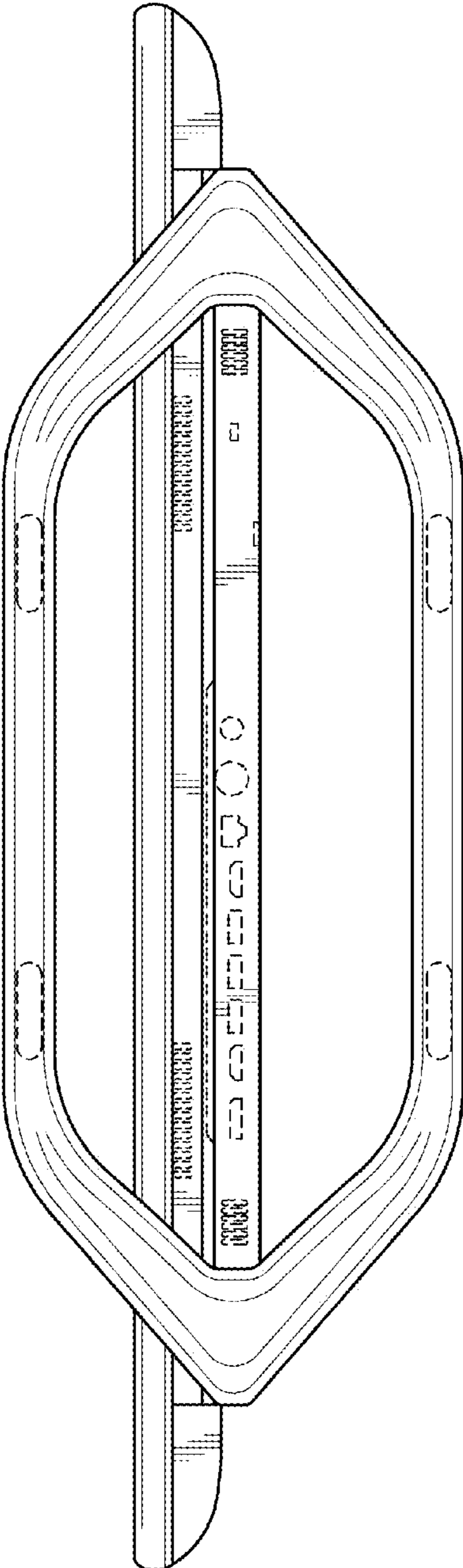


FIG. 7