



US00D723028S

(12) **United States Design Patent**  
**Leonard et al.**

(10) **Patent No.:** **US D723,028 S**  
(45) **Date of Patent:** **\*\* Feb. 24, 2015**

(54) **INFORMATION HANDLING SYSTEM HOUSING**

6,480,373 B1 \* 11/2002 Landry et al. .... 361/679.06  
D626,547 S \* 11/2010 Li et al. .... D14/316  
2005/0063145 A1 \* 3/2005 Homer et al. .... 361/683

(71) Applicant: **Dell Products L.P.**, Round Rock, TX (US)

\* cited by examiner

(72) Inventors: **Brian Hargrove Leonard**, Austin, TX (US); **Sung Kyun Bai**, Austin, TX (US); **Mark Menendez**, Austin, TX (US)

*Primary Examiner* — Freda S Nunn  
(74) *Attorney, Agent, or Firm* — Terrile, Cannatti, Chambers & Holland, LLP; Robert W. Holland

(73) Assignee: **Dell Products L.P.**, Round Rock, TX (US)

(57) **CLAIM**  
We claim the ornamental design for an information handling system housing, as shown and described.

(\*\*) Term: **14 Years**

**DESCRIPTION**

(21) Appl. No.: **29/484,470**

FIG. 1 is a front perspective view of the information handling system housing in a closed position comprising the present invention;

(22) Filed: **Mar. 10, 2014**

FIG. 2 is a front view thereof;

(51) **LOC (10) Cl.** ..... **14-02**

FIG. 3 is a right side view thereof;

(52) **U.S. Cl.**

FIG. 4 is a left side view thereof;

USPC ..... **D14/316**

FIG. 5 is a back view thereof;

(58) **Field of Classification Search**

FIG. 6 is a top view thereof;

USPC ..... D14/315–328, 341, 345; D18/1, 2, 7, D18/11; 235/145 A, 145 R; 341/22, 23; 345/104, 156, 168, 169, 173; 361/679.08, 679.09, 679.11, 679.26, 361/679.27; 16/367

FIG. 7 is a bottom view thereof;

See application file for complete search history.

FIG. 8 is a front perspective view thereof in an open position;

(56) **References Cited**

**U.S. PATENT DOCUMENTS**

5,900,848 A \* 5/1999 Haneda et al. .... 345/1.1  
6,464,195 B1 \* 10/2002 Hildebrandt ..... 248/460

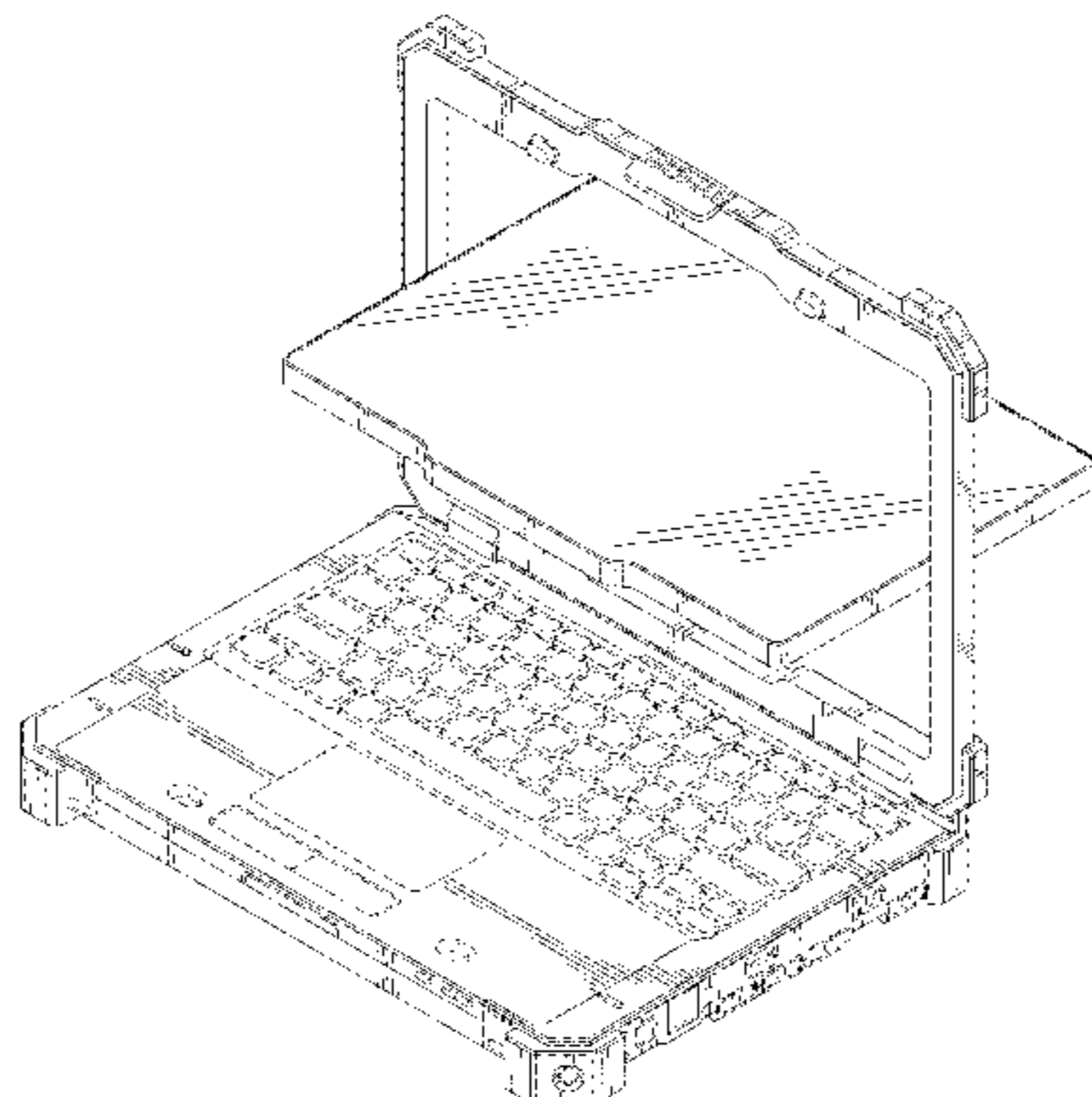
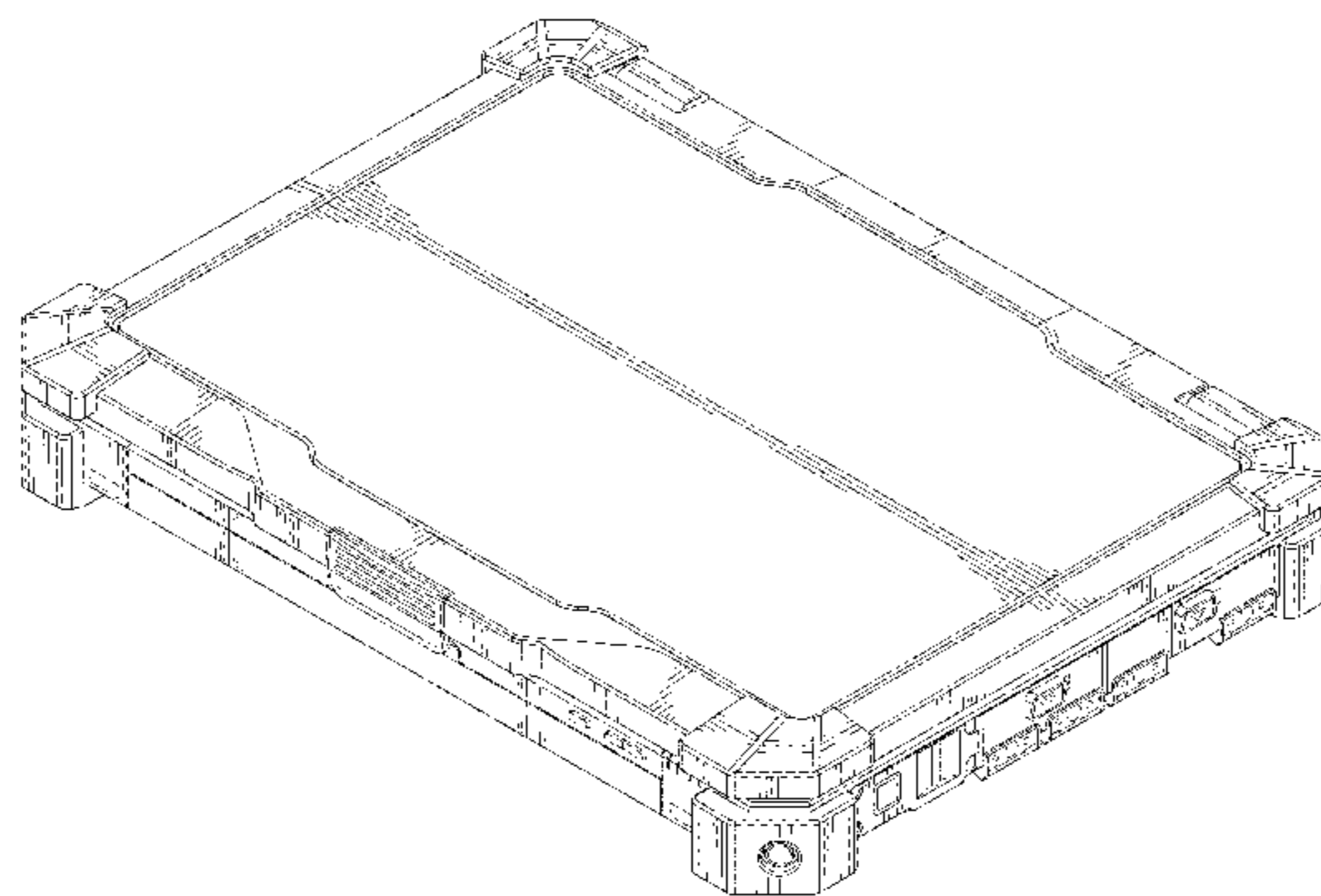
FIG. 9 is a front perspective view thereof with a display portion in a partially-transitioned open position;

FIG. 10 is a rear perspective view thereof with a display oriented to close in a tablet position; and,

FIG. 11 is a front perspective view thereof in a closed position.

Broken lines shown in the drawings illustrate portions of the information handling system housing, and form no part of the claimed design.

**1 Claim, 9 Drawing Sheets**



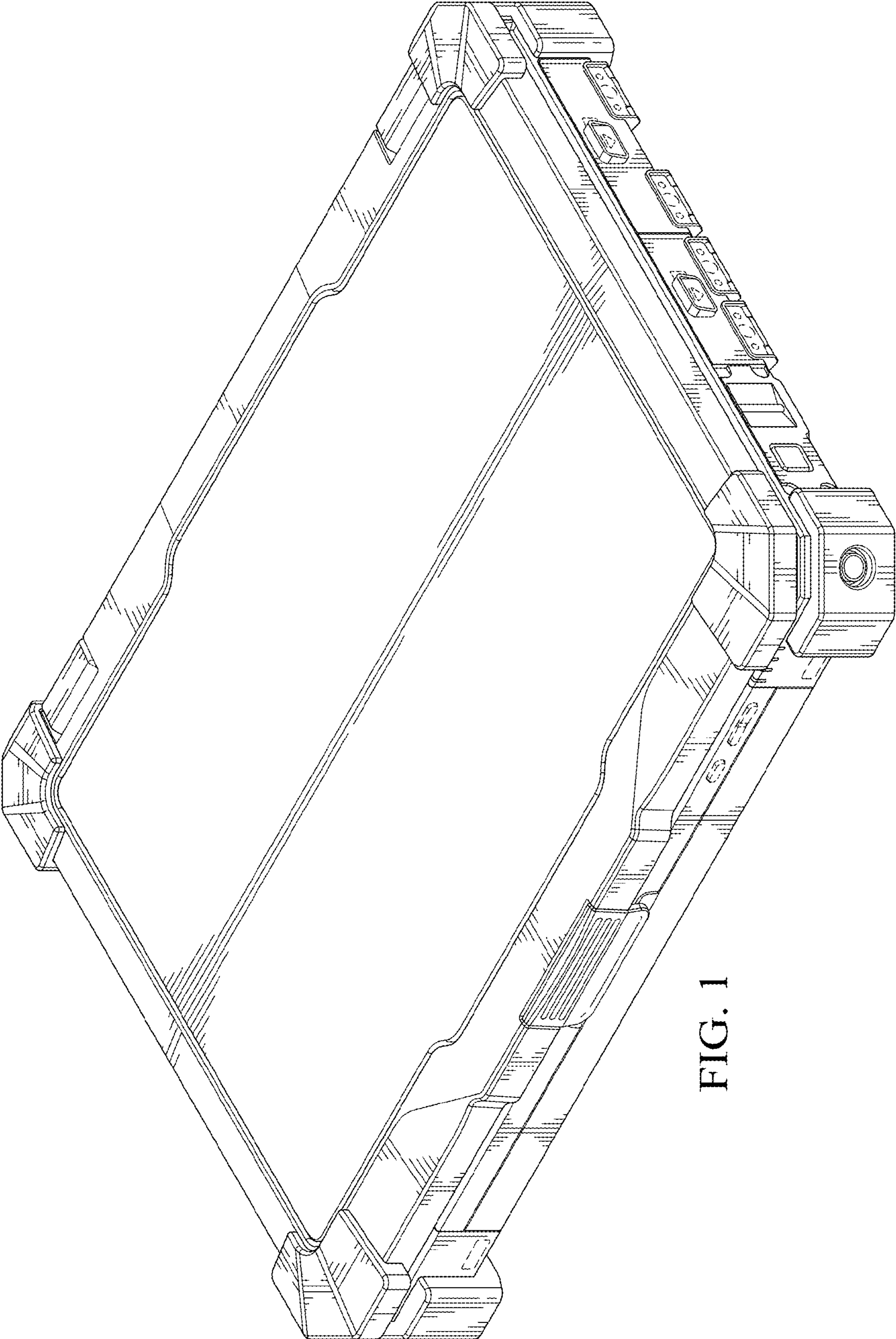


FIG. 1

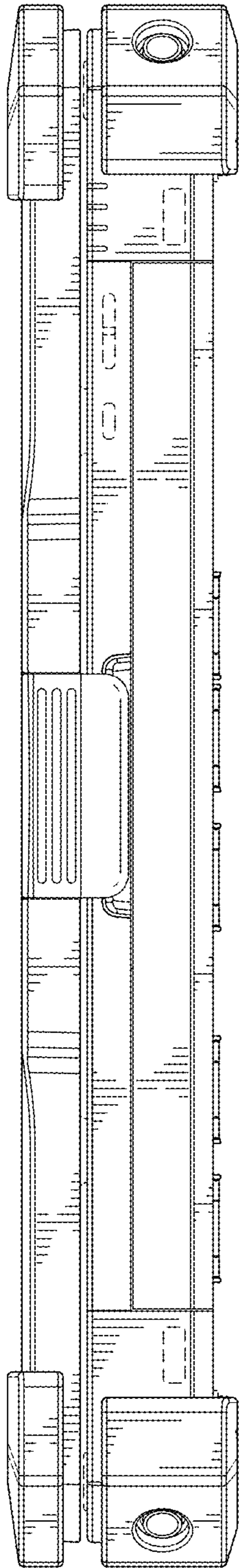


FIG. 2

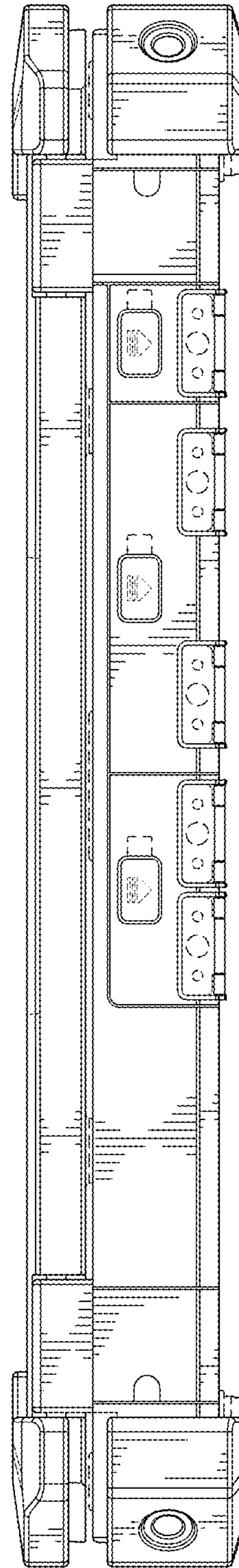


FIG. 3

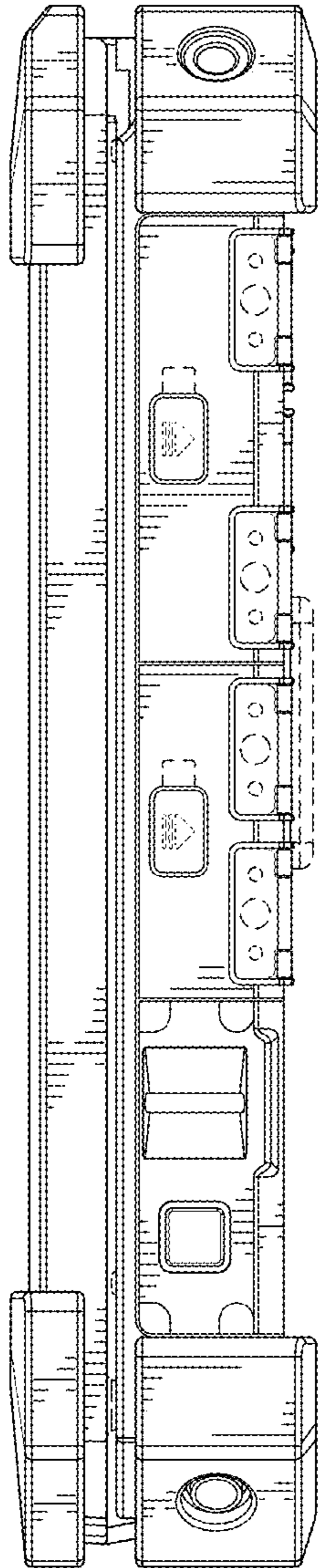


FIG. 4

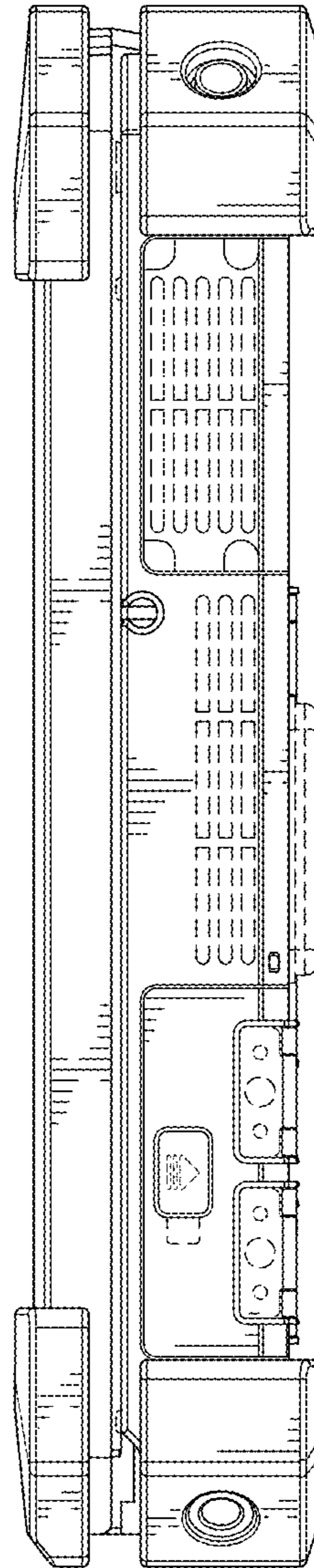


FIG. 5

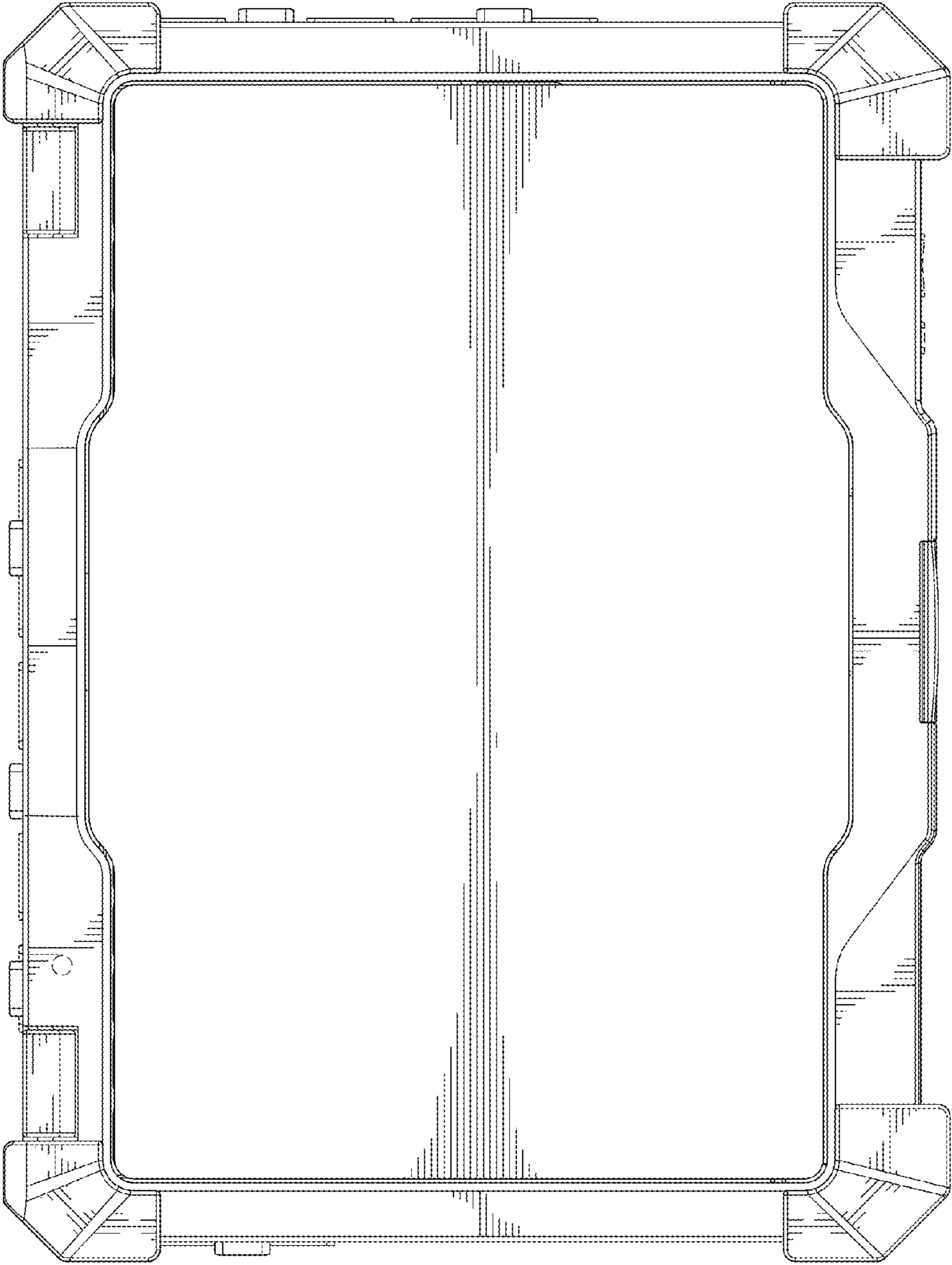


FIG. 6

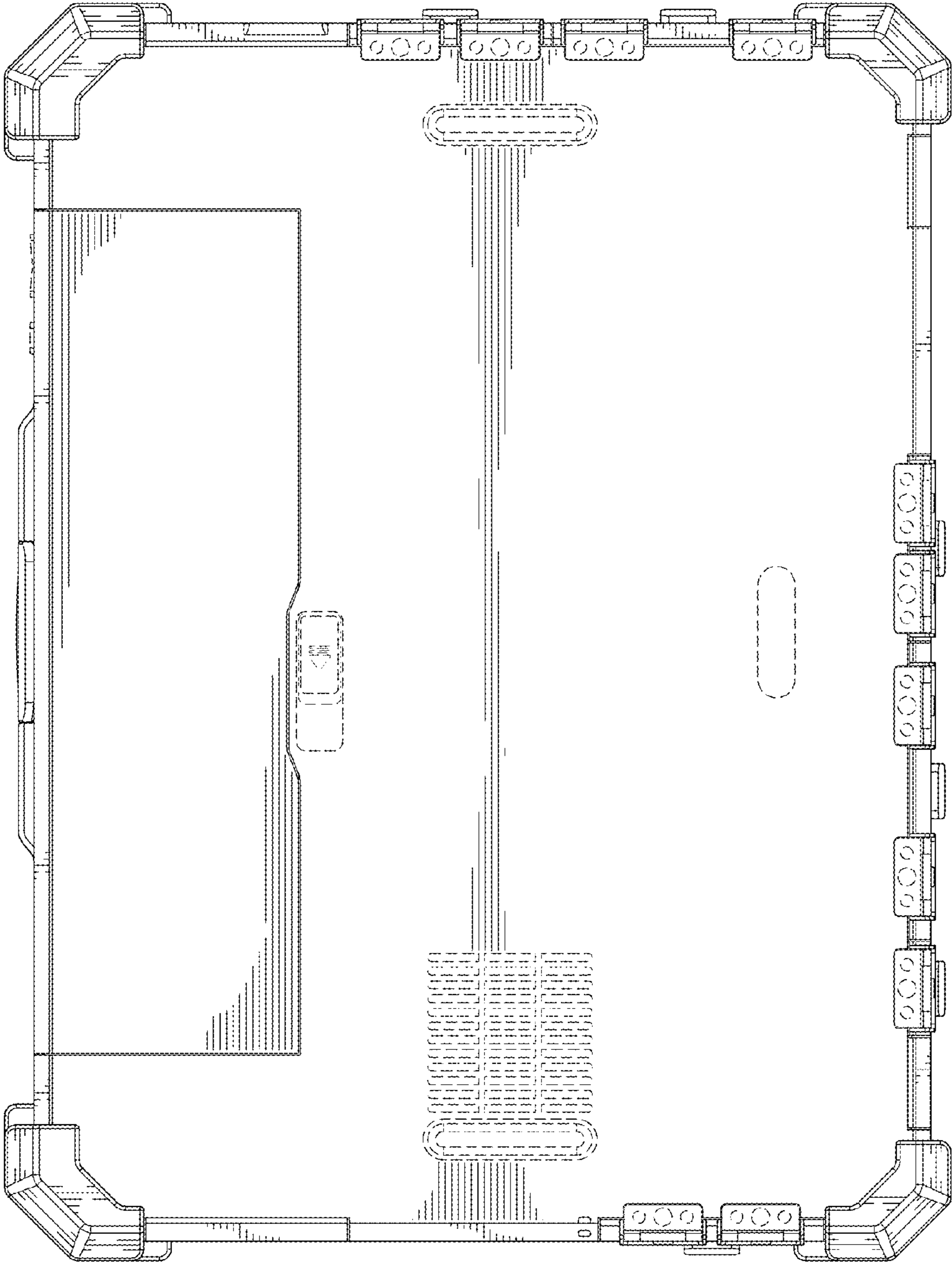


FIG. 7

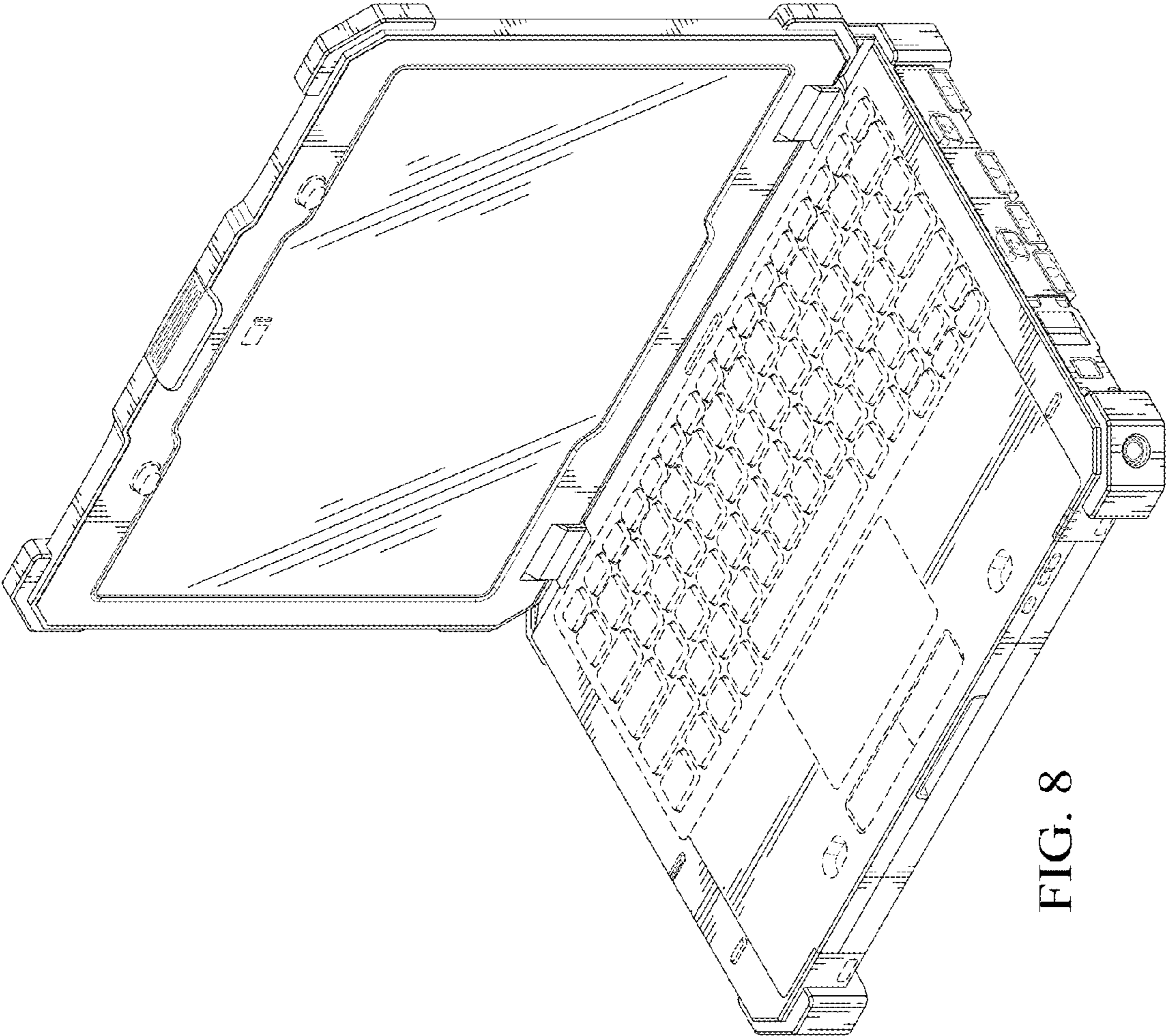


FIG. 8

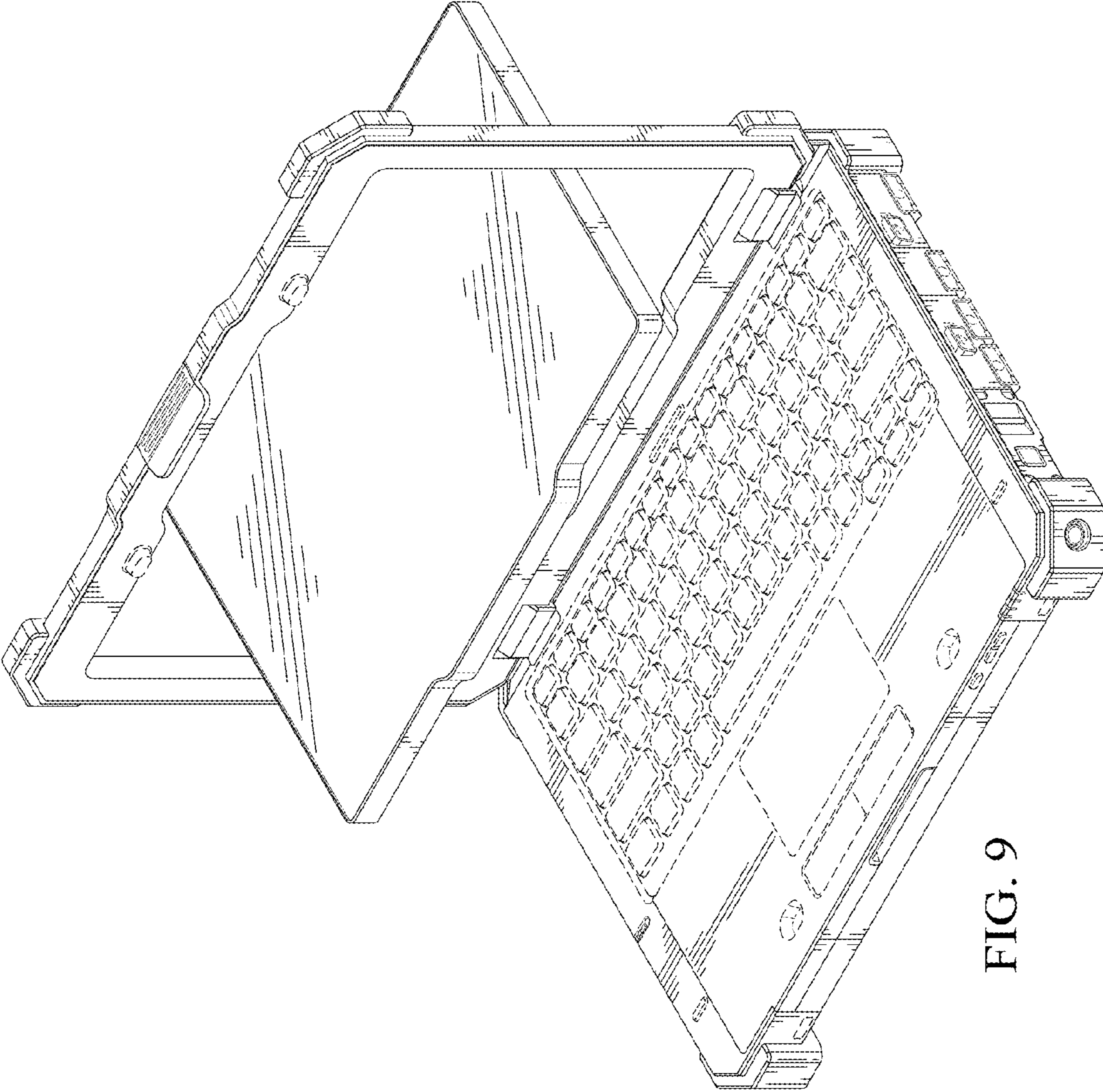


FIG. 9



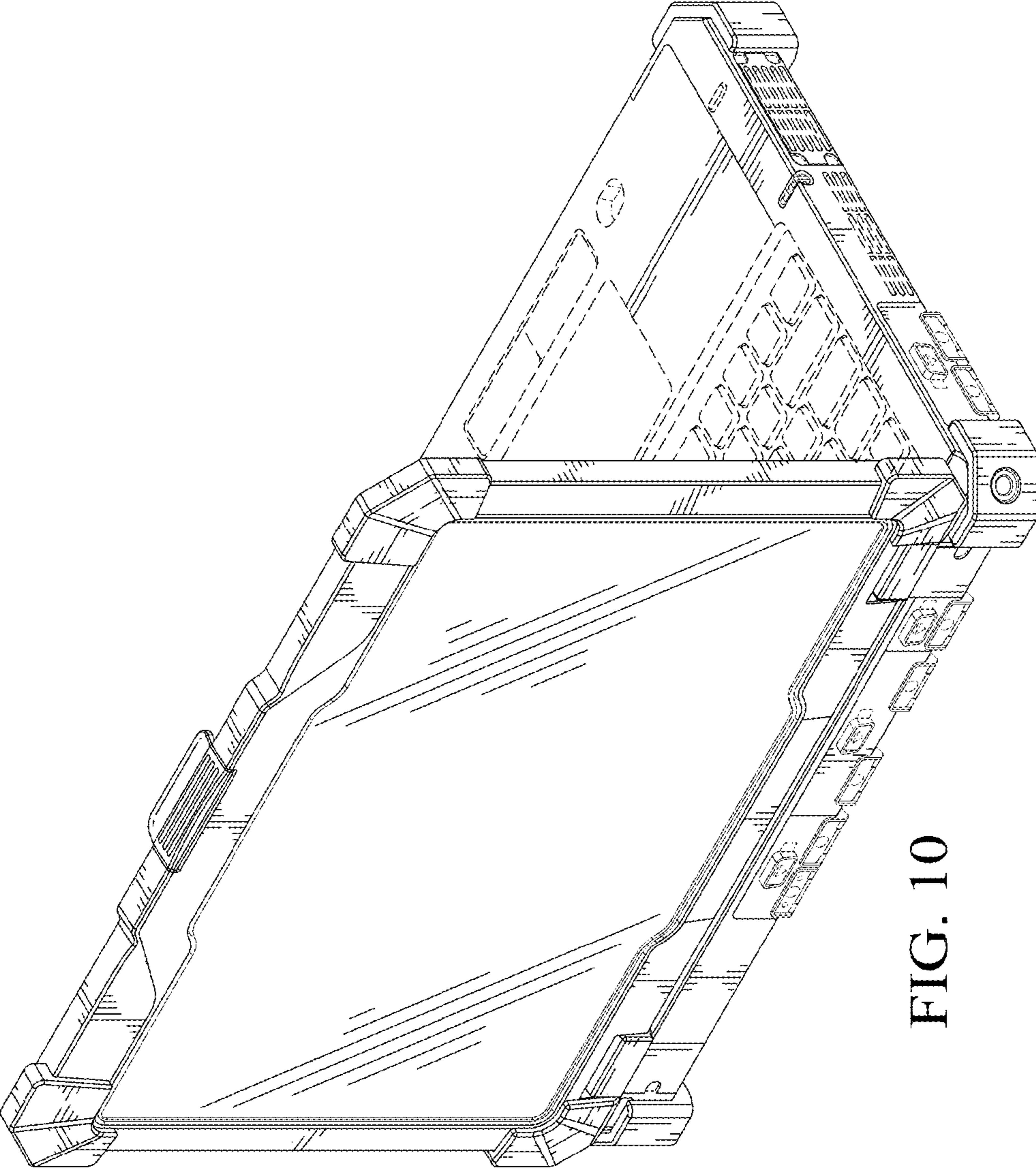


FIG. 10

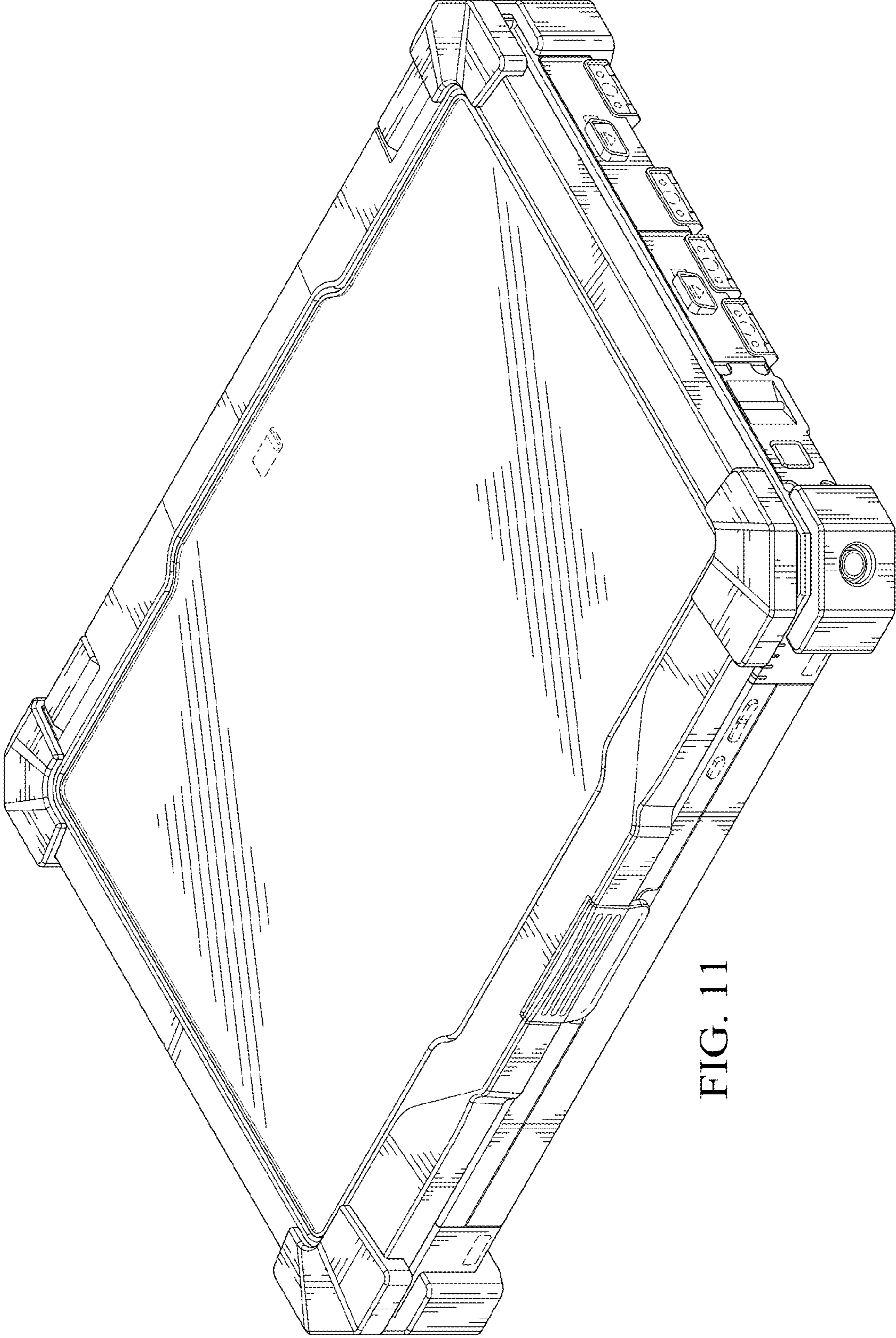


FIG. 11