



US00D723025S

(12) **United States Design Patent**
Birgeoglu

(10) **Patent No.:** **US D723,025 S**
(45) **Date of Patent:** **** Feb. 24, 2015**

(54) **KIOSK**

DESCRIPTION

- (71) Applicant: **Zivelo LLC**, Gas City, IN (US)
- (72) Inventor: **Zubair Birgeoglu**, Gas City, IN (US)
- (73) Assignee: **Zivelo LLC**, Scottsdale, AZ (US)
- (**) Term: **14 Years**
- (21) Appl. No.: **29/432,551**
- (22) Filed: **Sep. 17, 2012**
- (51) **LOC (10) Cl.** **14-02**
- (52) **U.S. Cl.**
USPC **D14/307**
- (58) **Field of Classification Search**
CPC G06Q 20/18
USPC D14/307, 306, 305, 304, 303, 302, 900,
D14/901, 902; D13/163, 162; D20/10;
D10/108; D21/332, 325; 187/395, 396;
361/679.02, 679.21
See application file for complete search history.

(56) **References Cited**

U.S. PATENT DOCUMENTS

- D327,766 S 7/1992 Swaine et al.
- D350,566 S 9/1994 Pearson

(Continued)

Primary Examiner — George D Kirschbaum

Assistant Examiner — Kendra L Hamilton

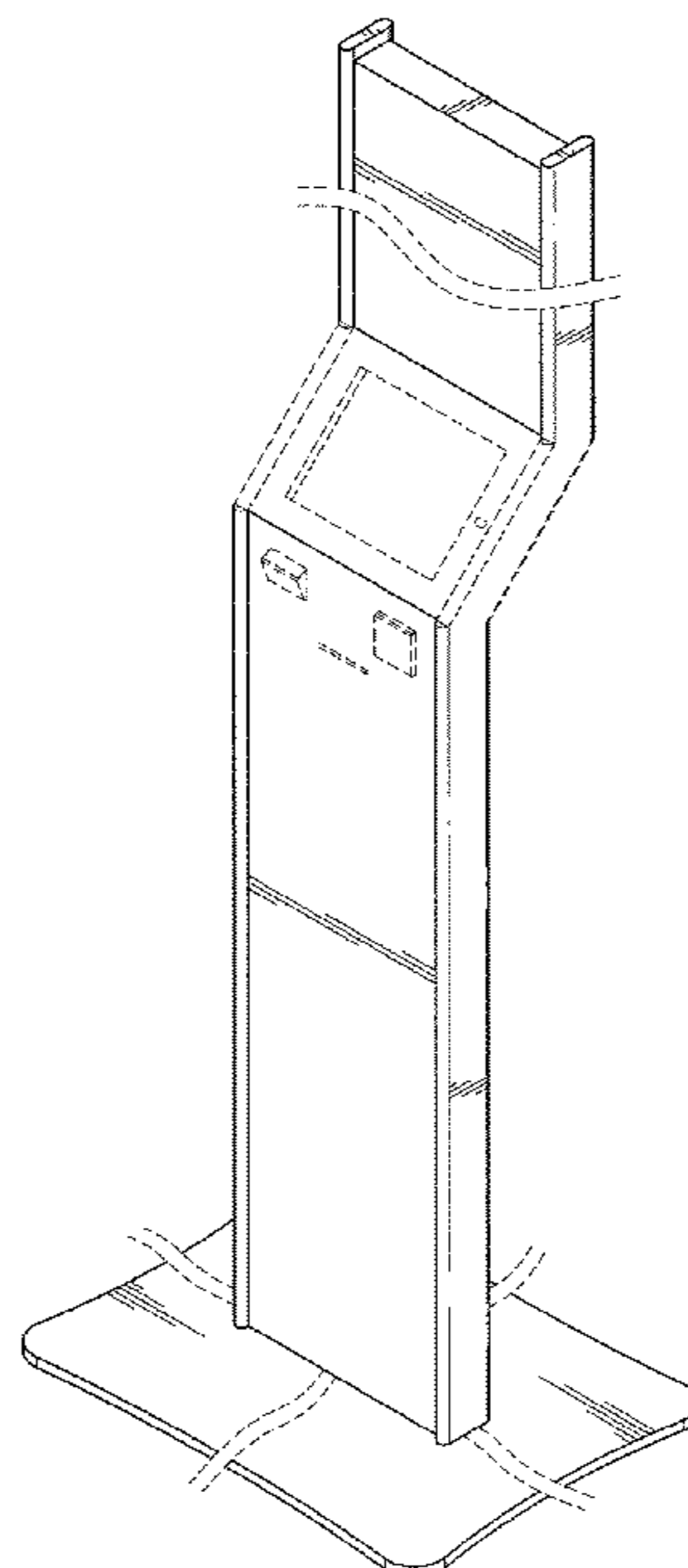
(74) *Attorney, Agent, or Firm* — Mintz Levin Cohn Ferris
Glovsky and Popeo, P.C.

(57) **CLAIM**

The ornamental design for a kiosk, as shown and described.

FIG. 1 is a top, front, and right side perspective of a first embodiment of a kiosk embodying my new design.
 FIG. 2 is a top, back, and right side perspective of the embodiment of FIG. 1.
 FIG. 3 is a front view of the embodiment of FIG. 1.
 FIG. 4 is a back view of the embodiment of FIG. 1.
 FIG. 5 is a right side view of the embodiment of FIG. 1.
 FIG. 6 is a left side view of the embodiment of FIG. 1.
 FIG. 7 is a top view of the embodiment of FIG. 1.
 FIG. 8 is a bottom view of the embodiment of FIG. 1.
 FIG. 9 is a top, front, and right side perspective of a second embodiment of a kiosk embodying my new design.
 FIG. 10 is a top, back, and right side perspective of the embodiment of FIG. 9.
 FIG. 11 is a front view of the embodiment of FIG. 9.
 FIG. 12 is a back view of the embodiment of FIG. 9.
 FIG. 13 is a right side view of the embodiment of FIG. 9.
 FIG. 14 is a left side view of the embodiment of FIG. 9.
 FIG. 15 is a top view of the embodiment of FIG. 9.
 FIG. 16 is a bottom view of the embodiment of FIG. 9.
 FIG. 17 is a top, front, and right side perspective of a third embodiment of a kiosk embodying my new design.
 FIG. 18 is a top, back, and right side perspective of the embodiment of FIG. 17.
 FIG. 19 is a front view of the embodiment of FIG. 17.
 FIG. 20 is a back view of the embodiment of FIG. 17.
 FIG. 21 is a right side view of the embodiment of FIG. 17.
 FIG. 22 is a left side view of the embodiment of FIG. 17.
 FIG. 23 is a top view of the embodiment of FIG. 17; and,
 FIG. 24 is a bottom view of the embodiment of FIG. 17.
 The portions of the Figures shown in broken lines disclose environmental structure and form no part of the claimed design.

1 Claim, 21 Drawing Sheets



(56)

References Cited

U.S. PATENT DOCUMENTS

D357,495 S	4/1995	Skaggs et al.		D646,269 S	10/2011	Crick, Jr. et al.
D360,764 S *	8/1995	Collins	D6/396	D648,818 S	11/2011	Zalar
D377,012 S	12/1996	Oslund		D653,835 S	2/2012	Strempack et al.
D377,784 S	2/1997	Wilson		D661,124 S	6/2012	Curbbun et al.
D378,082 S *	2/1997	Wilson	D14/302	D661,291 S	6/2012	Renukanand et al.
D389,522 S	1/1998	Hesselbach et al.		D661,292 S	6/2012	Kuroda et al.
D397,562 S	9/1998	DePottay et al.		D661,293 S	6/2012	Kuroda et al.
D403,670 S	1/1999	Liao		D662,329 S	6/2012	Arko et al.
D415,330 S	10/1999	King		D665,555 S	8/2012	Lee et al.
D417,440 S *	12/1999	Wilson	D14/374	D669,464 S	10/2012	Birgeoglu
D417,893 S	12/1999	Hunter et al.		D669,891 S	10/2012	Bowles et al.
D436,999 S	1/2001	Cronley		D675,608 S	2/2013	Ono
D442,560 S	5/2001	Price et al.		D675,610 S	2/2013	Ono
D468,134 S	1/2003	Oikawa		D676,038 S	2/2013	Masuda et al.
D473,554 S *	4/2003	Landerholm et al.	D14/302	D681,639 S	5/2013	Cruz et al.
D493,816 S	8/2004	Butler		D692,885 S	11/2013	Cruz
D503,120 S *	3/2005	Sato et al.	D10/93	D695,285 S	12/2013	Smith et al.
D504,892 S	5/2005	Chen et al.		D697,062 S	1/2014	Nagai et al.
D518,480 S *	4/2006	Zheng et al.	D14/307	D702,675 S	4/2014	Jones
D585,943 S *	2/2009	Pymm et al.	D20/10	D702,676 S	4/2014	Smith et al.
D587,296 S	2/2009	Kuramochi		D705,213 S	5/2014	Smith et al.
D587,700 S *	3/2009	Corti et al.	D14/307	D707,674 S *	6/2014	Daniel
D590,387 S *	4/2009	Chen	D14/307	D707,676 S	6/2014	Azuma
D594,068 S	6/2009	Hsu		D707,677 S	6/2014	Azuma
D605,189 S	12/2009	Kuroda		D708,459 S	7/2014	Heirakuji et al.
D621,513 S *	8/2010	Cinqualbree	D24/185	D709,952 S *	7/2014	Logan et al.
D627,397 S	11/2010	Horn et al.		D711,472 S	8/2014	Rotelli, III et al.
D637,595 S	5/2011	Mizusugi		2002/0124271 A1	9/2002	Herrmann et al.
D639,800 S *	6/2011	Magruder	D14/307	2002/0198034 A1	12/2002	Wang
				2007/0143341 A1	6/2007	Brownell et al.
				2009/0289104 A1	11/2009	Yoneda
				2011/0192681 A1	8/2011	Johnson et al.

* cited by examiner

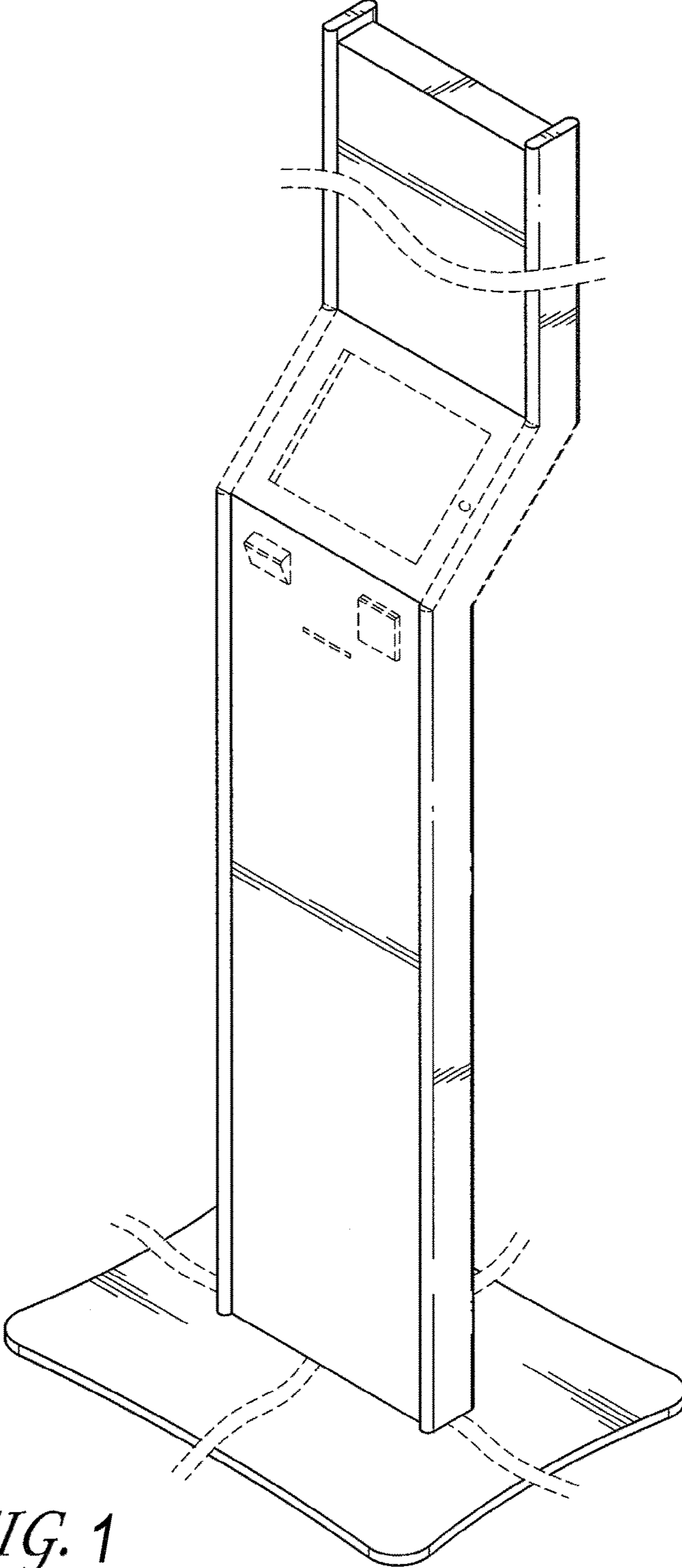


FIG. 1

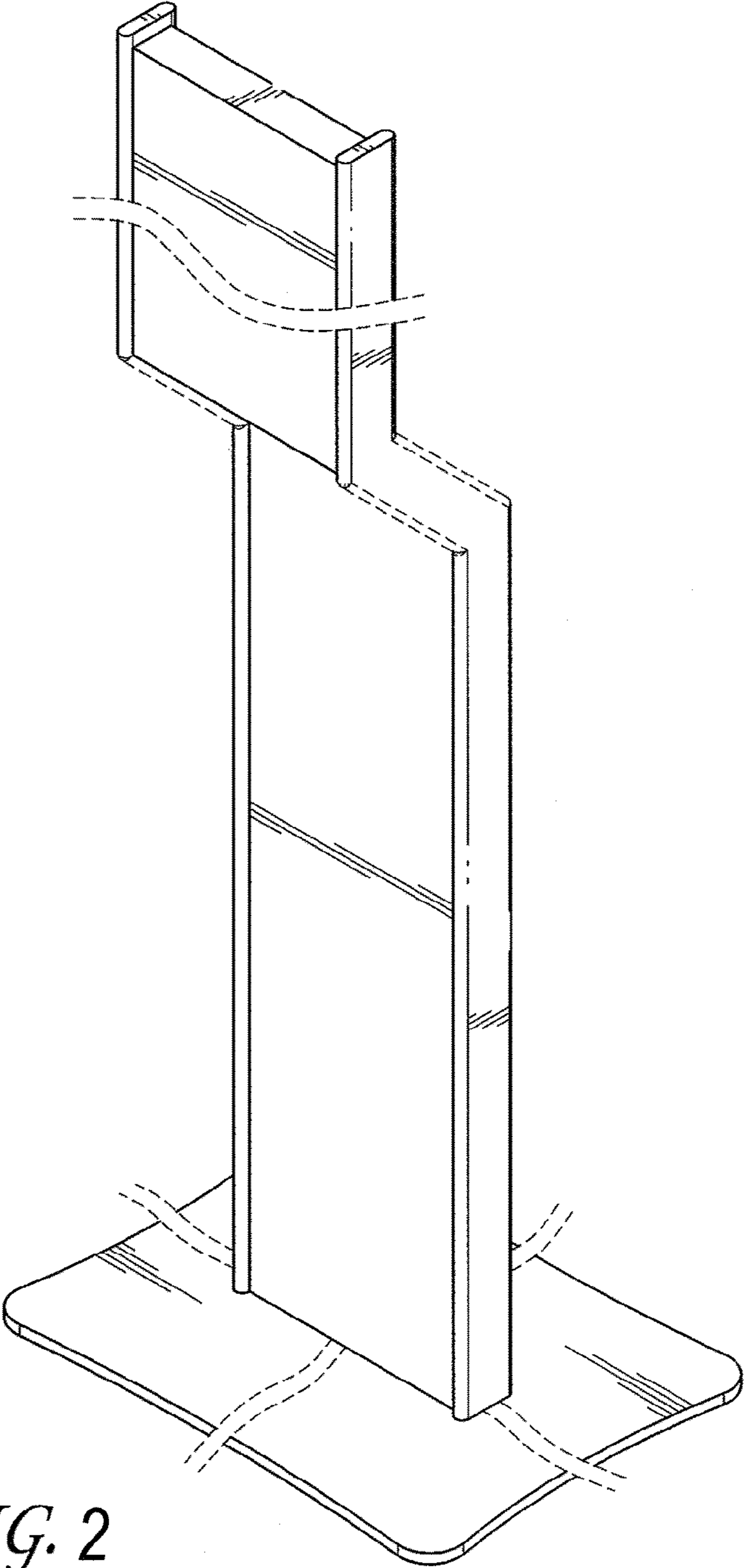


FIG. 2

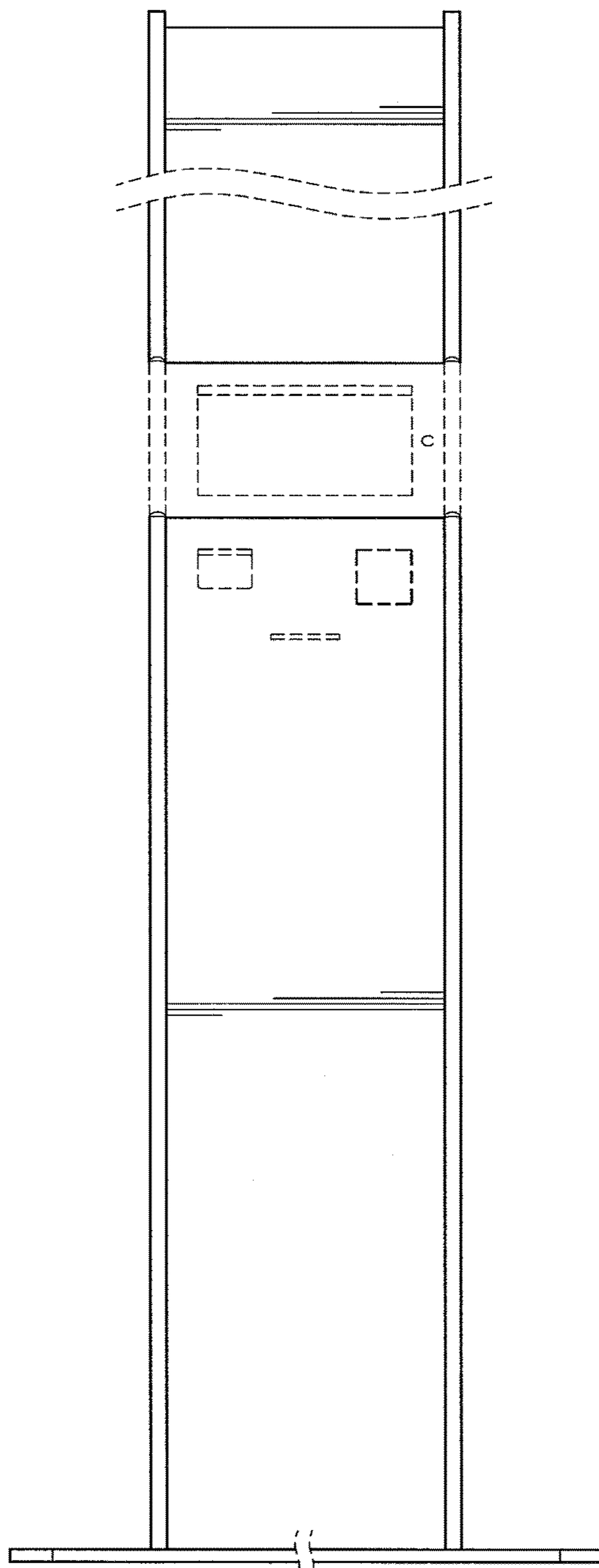


FIG. 3

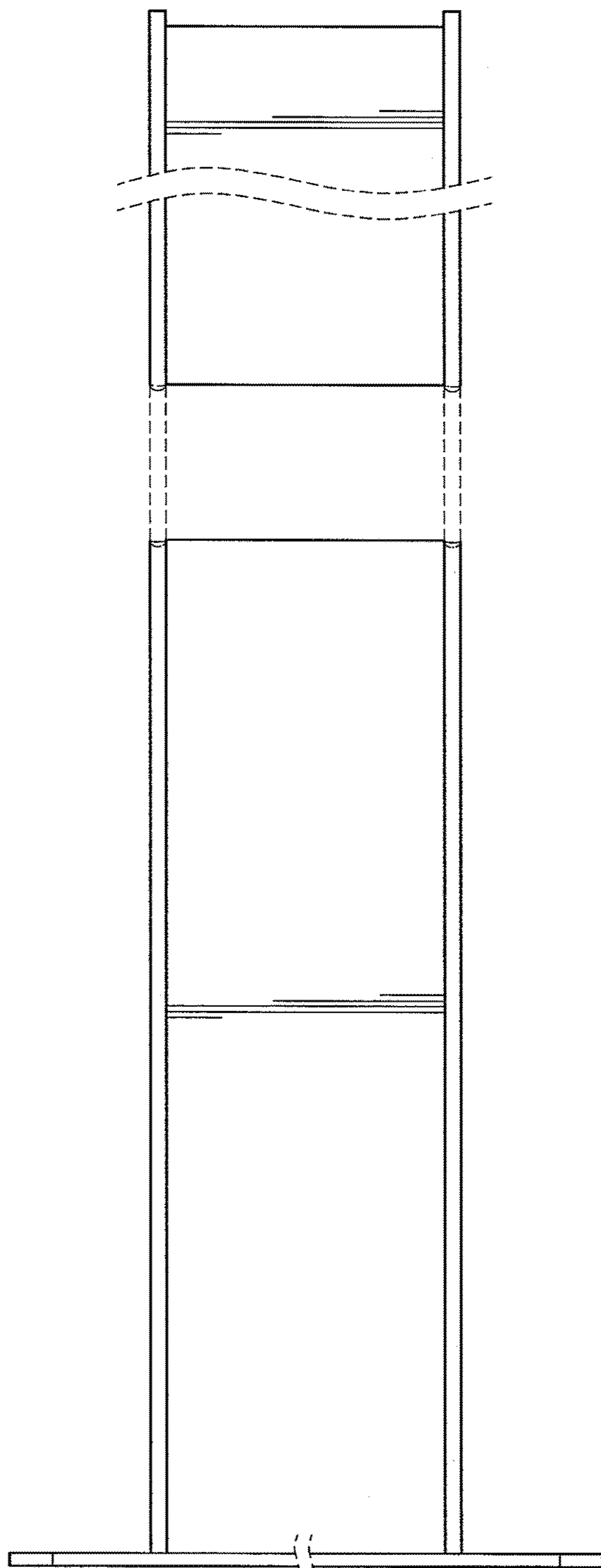


FIG. 4

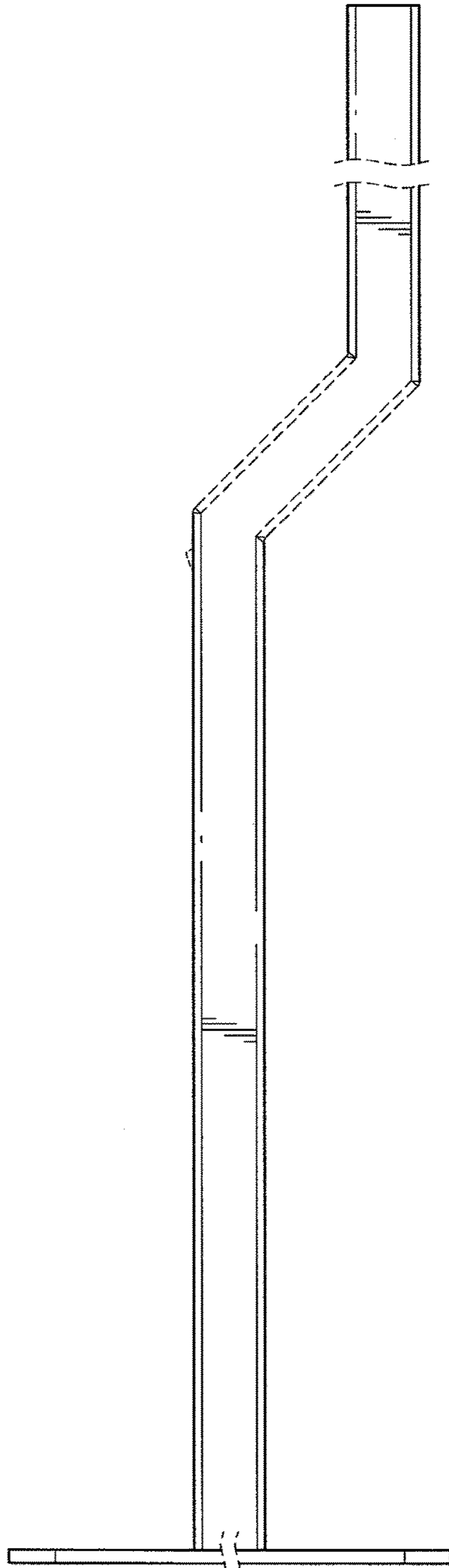


FIG. 5

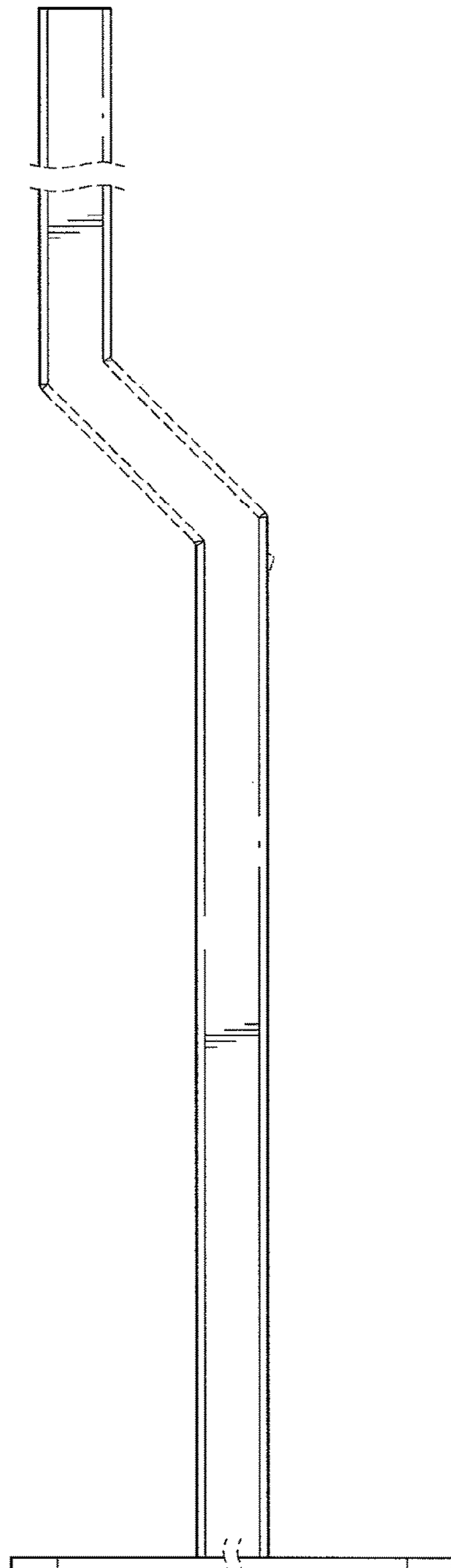


FIG. 6

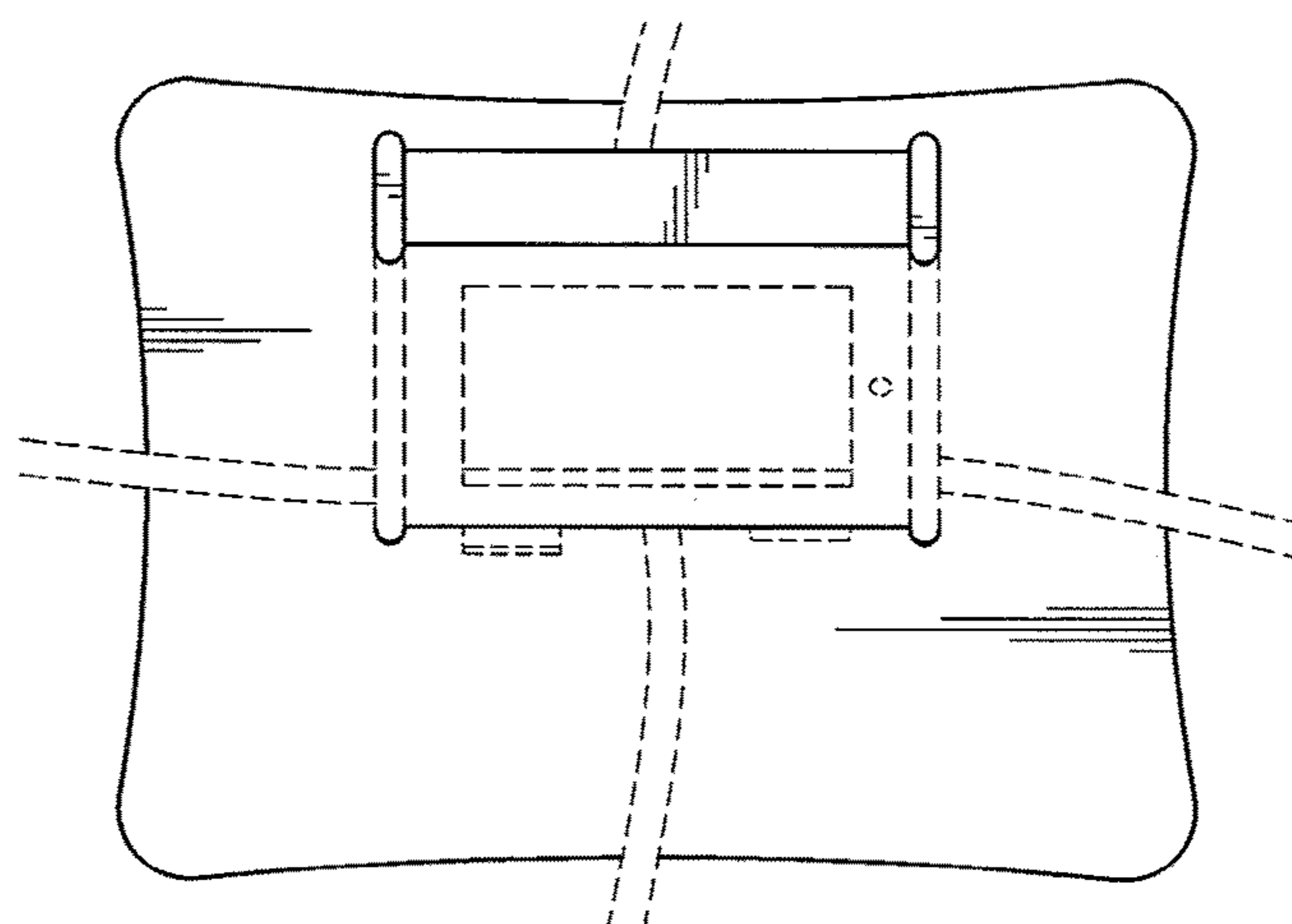


FIG. 7

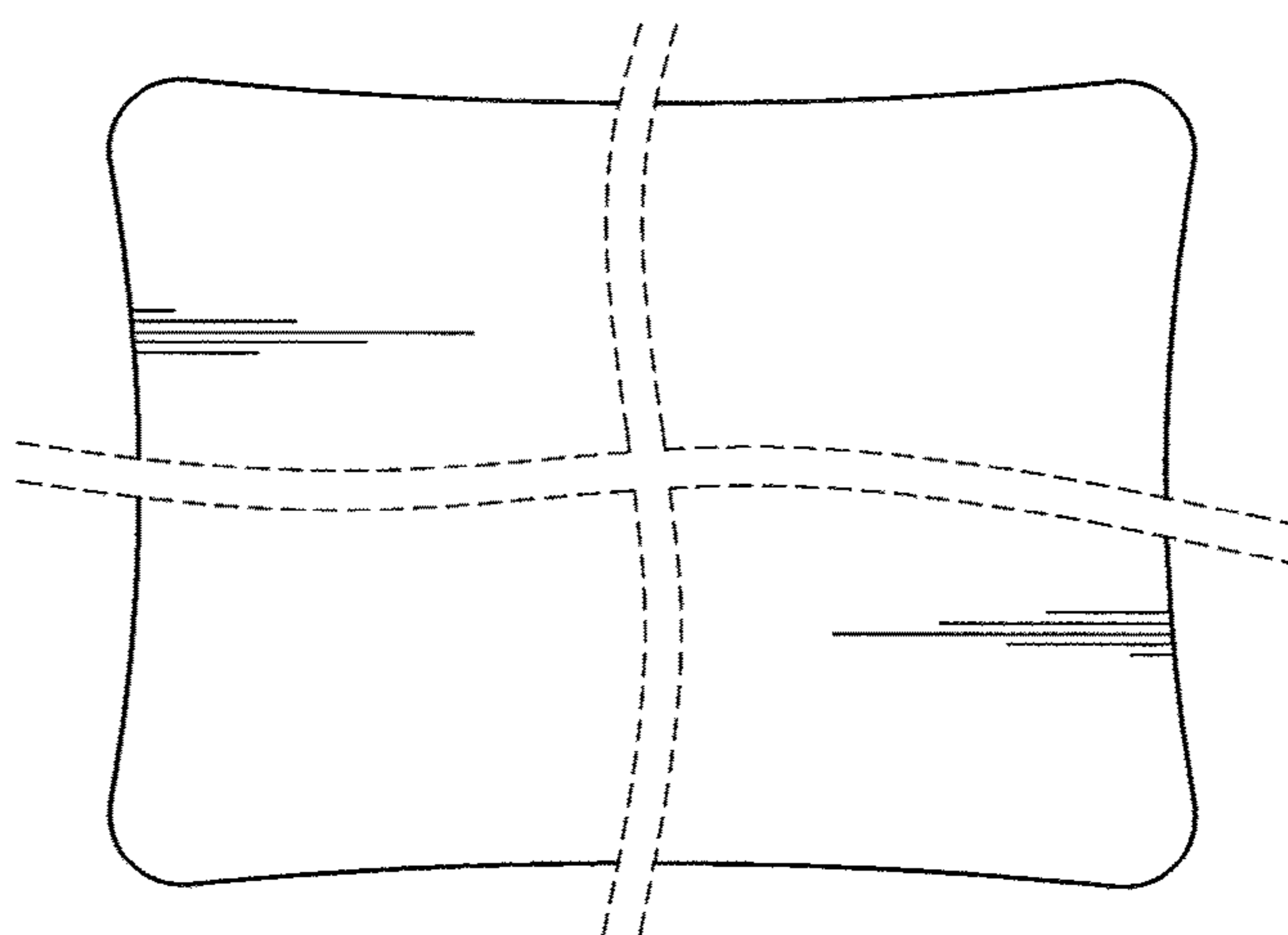


FIG. 8

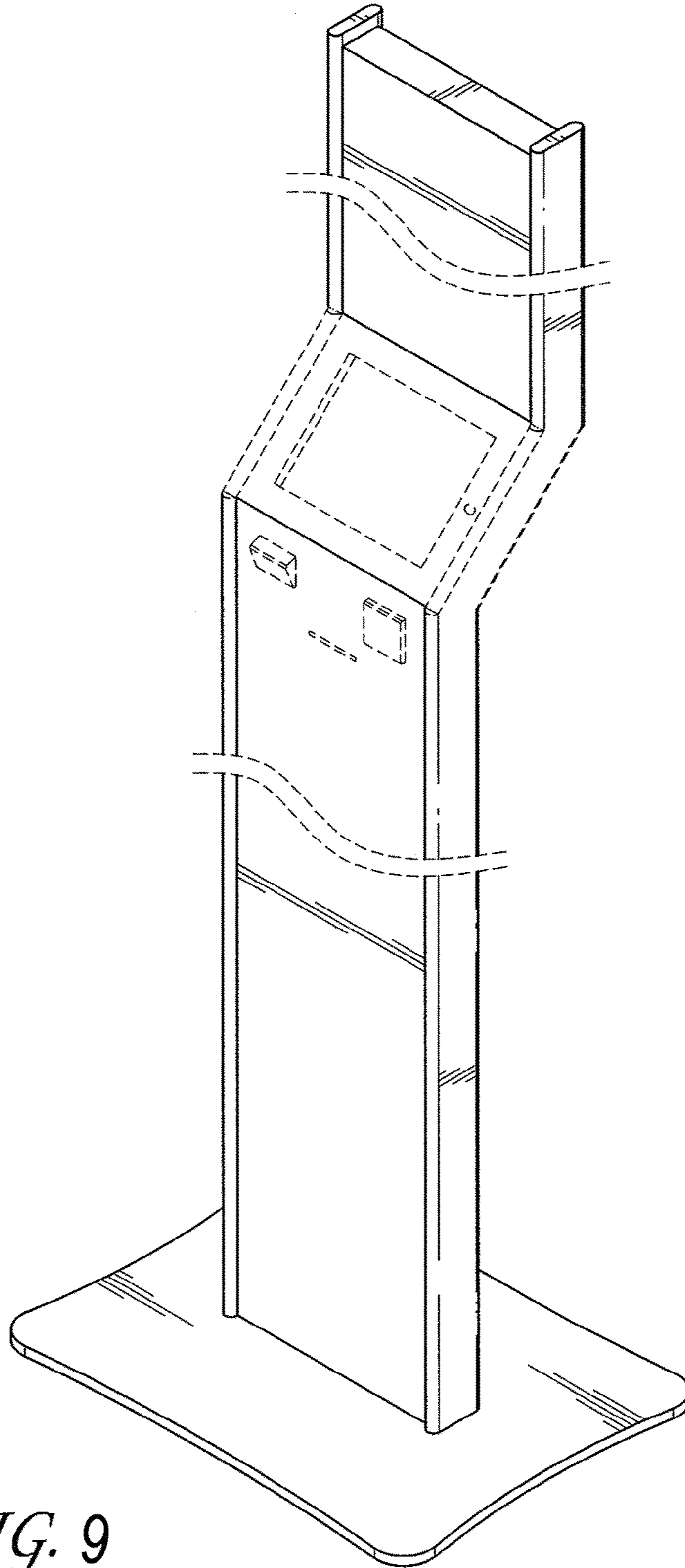


FIG. 9

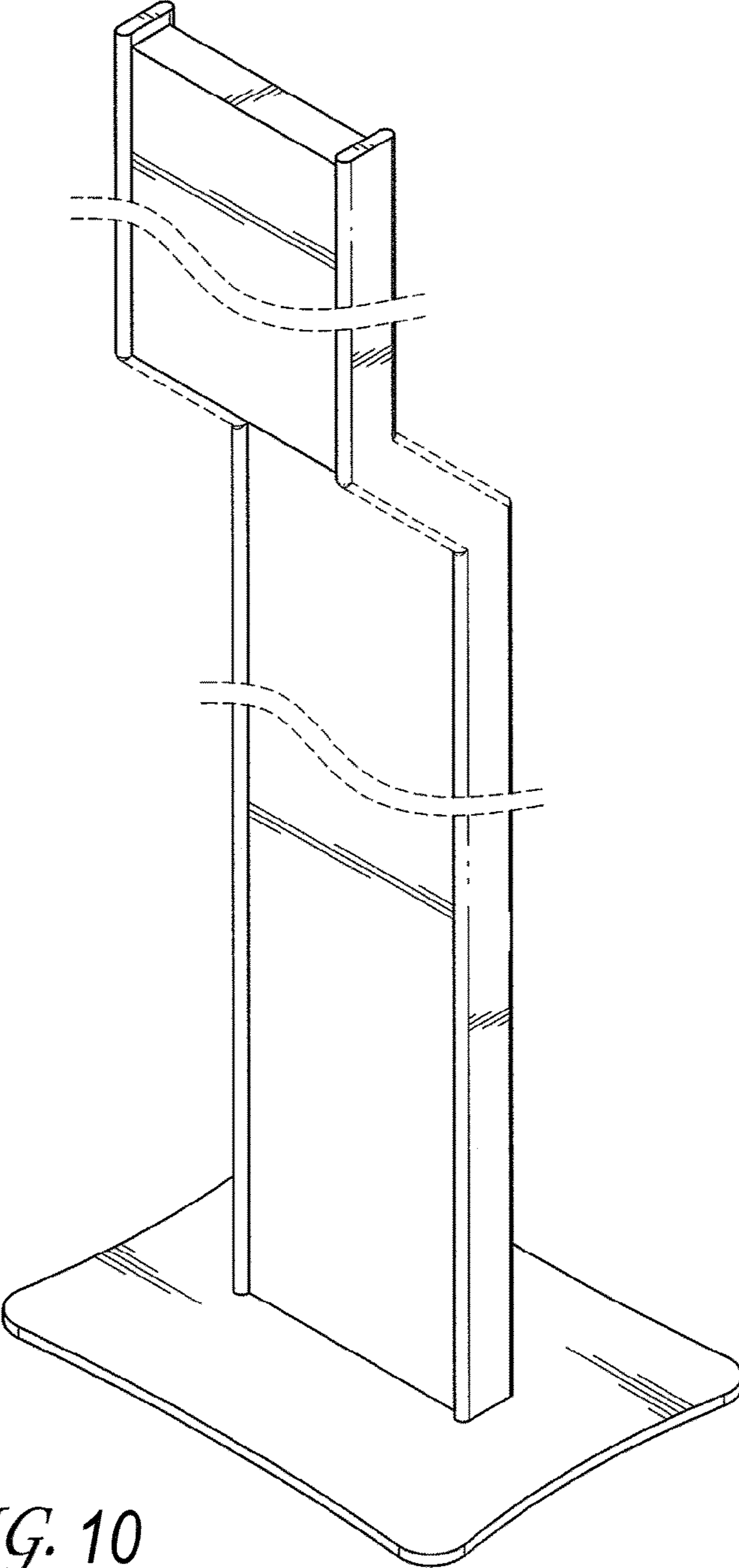


FIG. 10

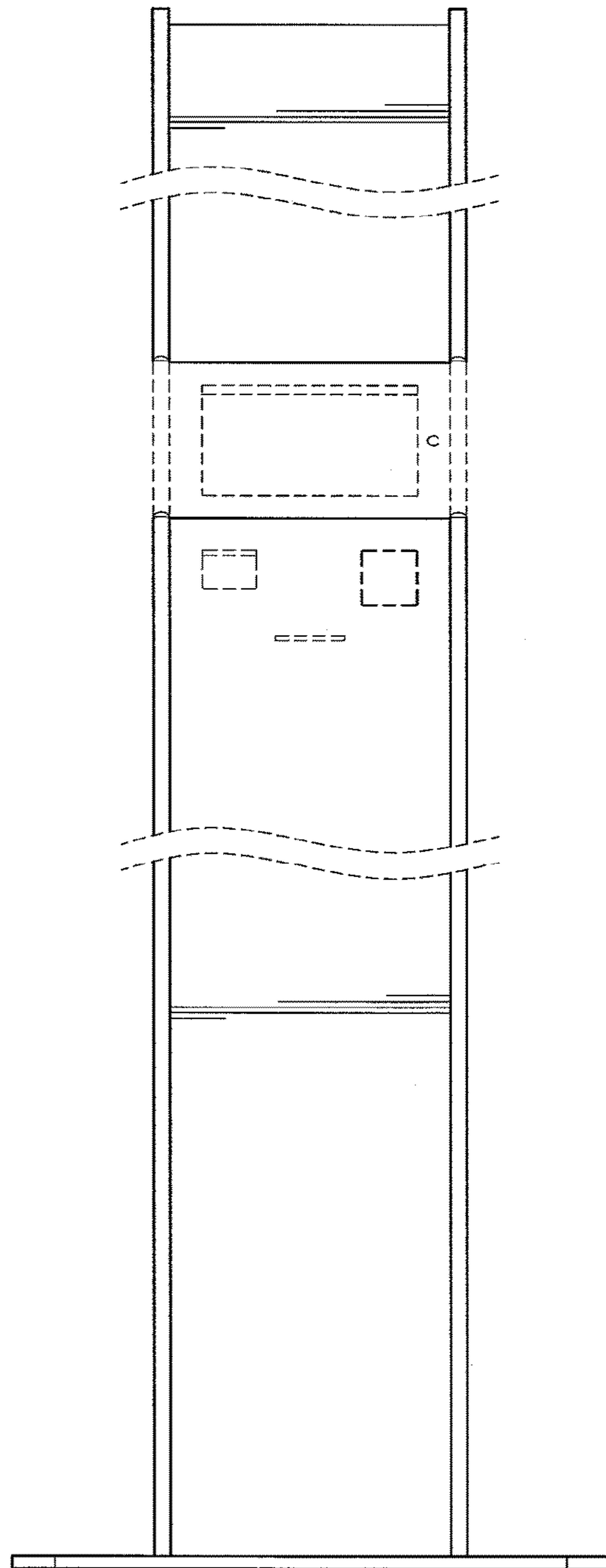


FIG. 11

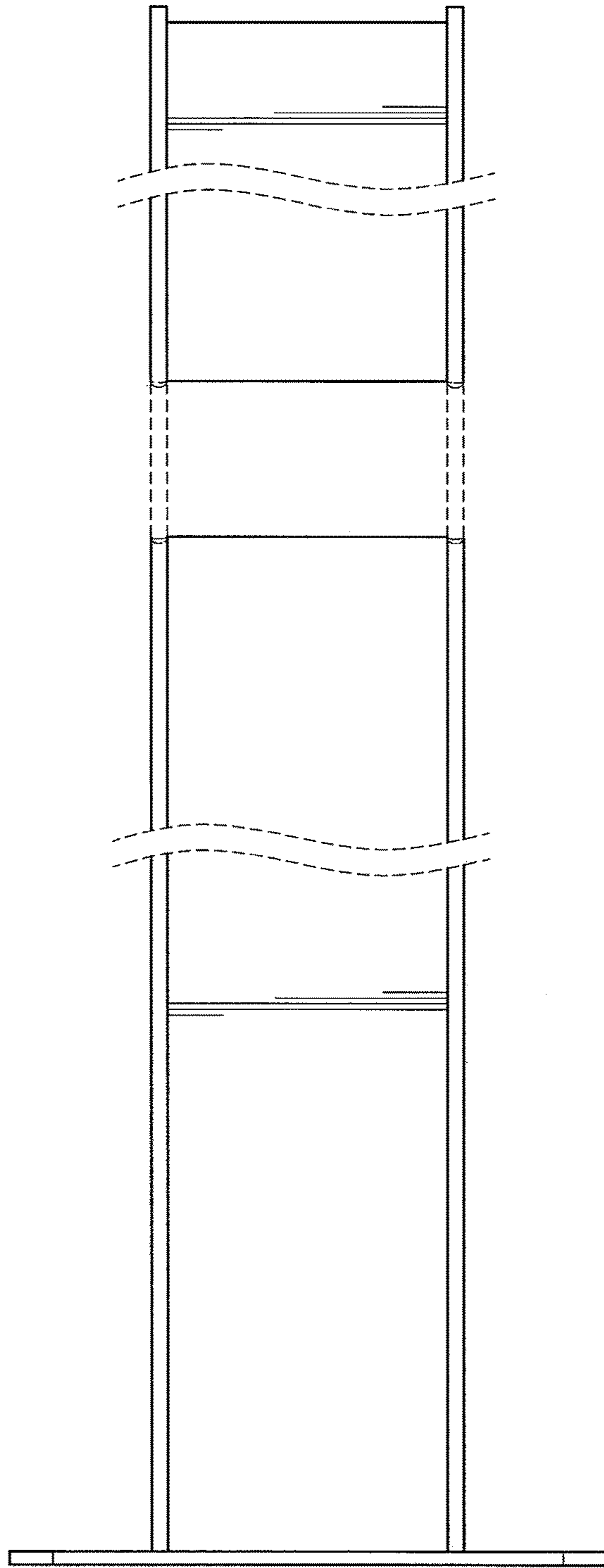


FIG. 12

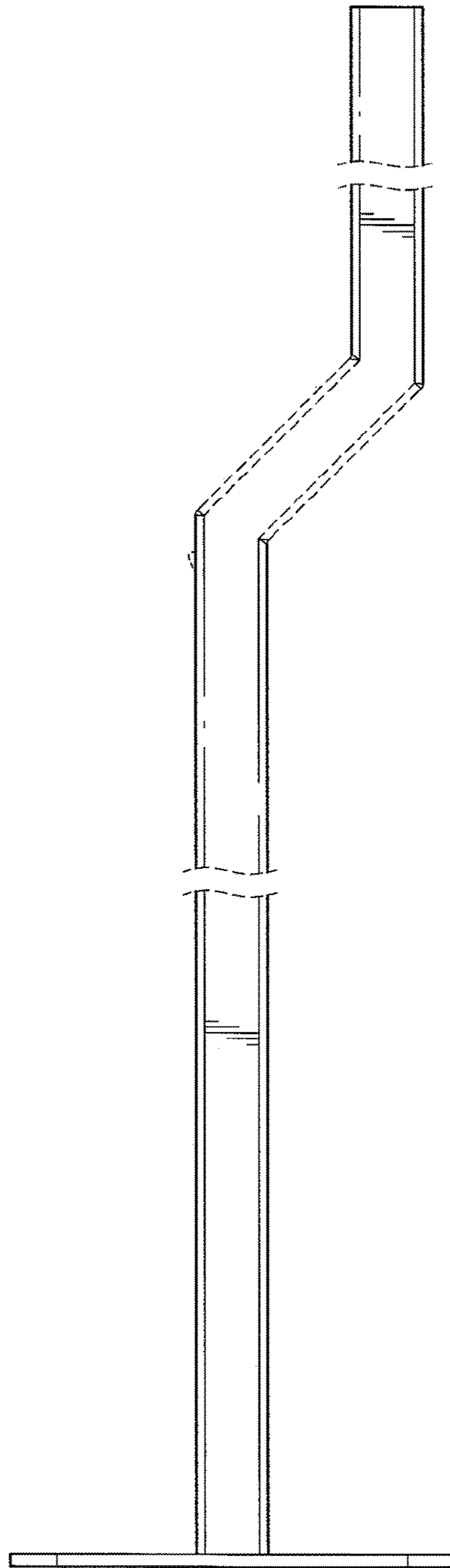


FIG. 13

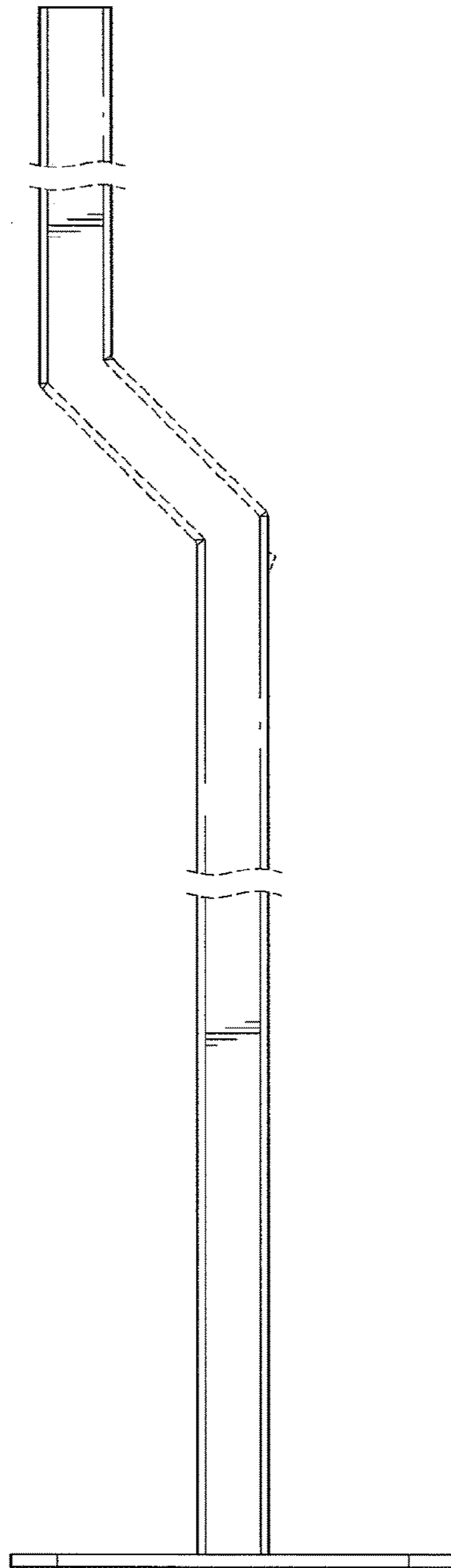


FIG. 14

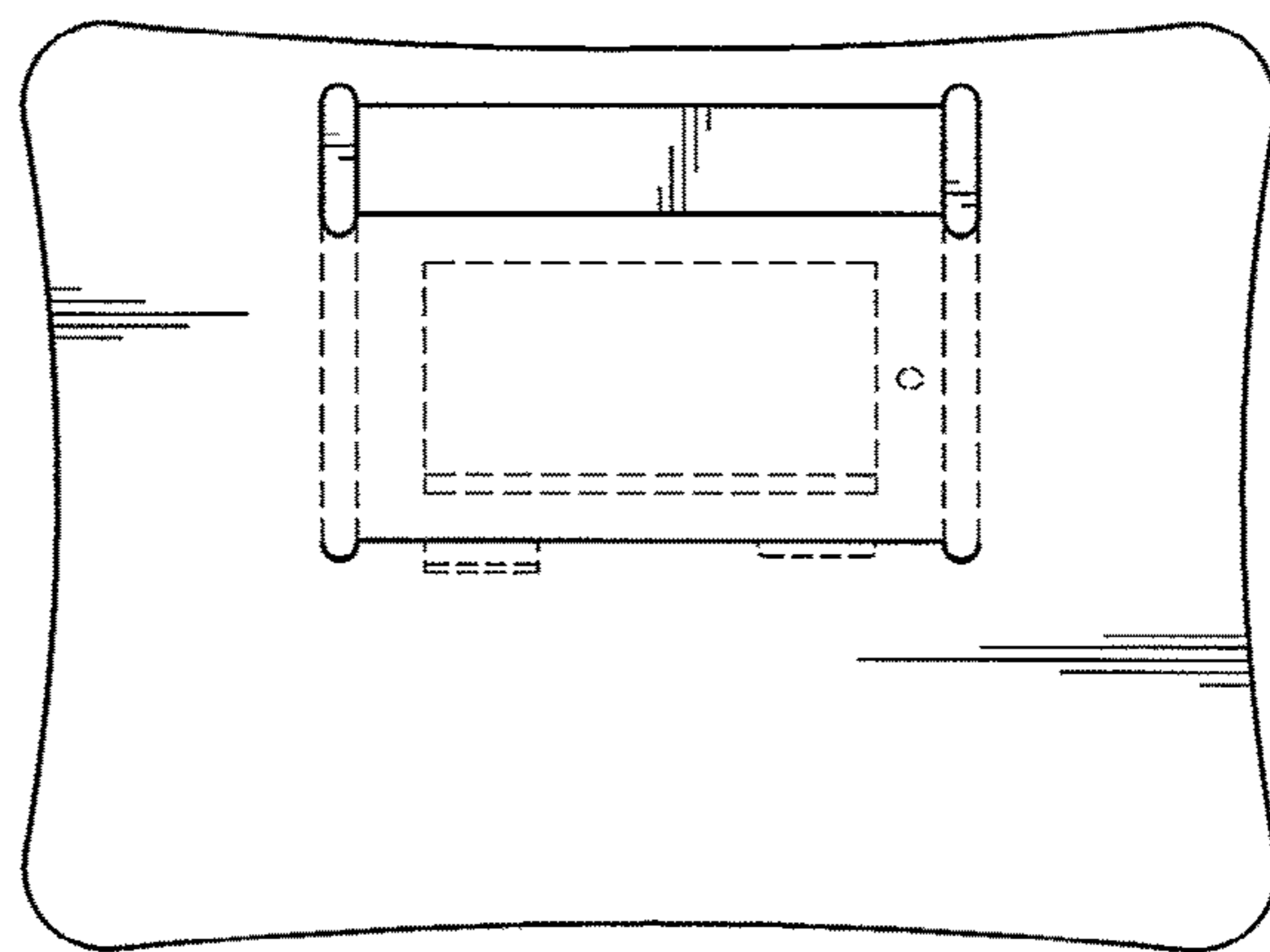


FIG. 15

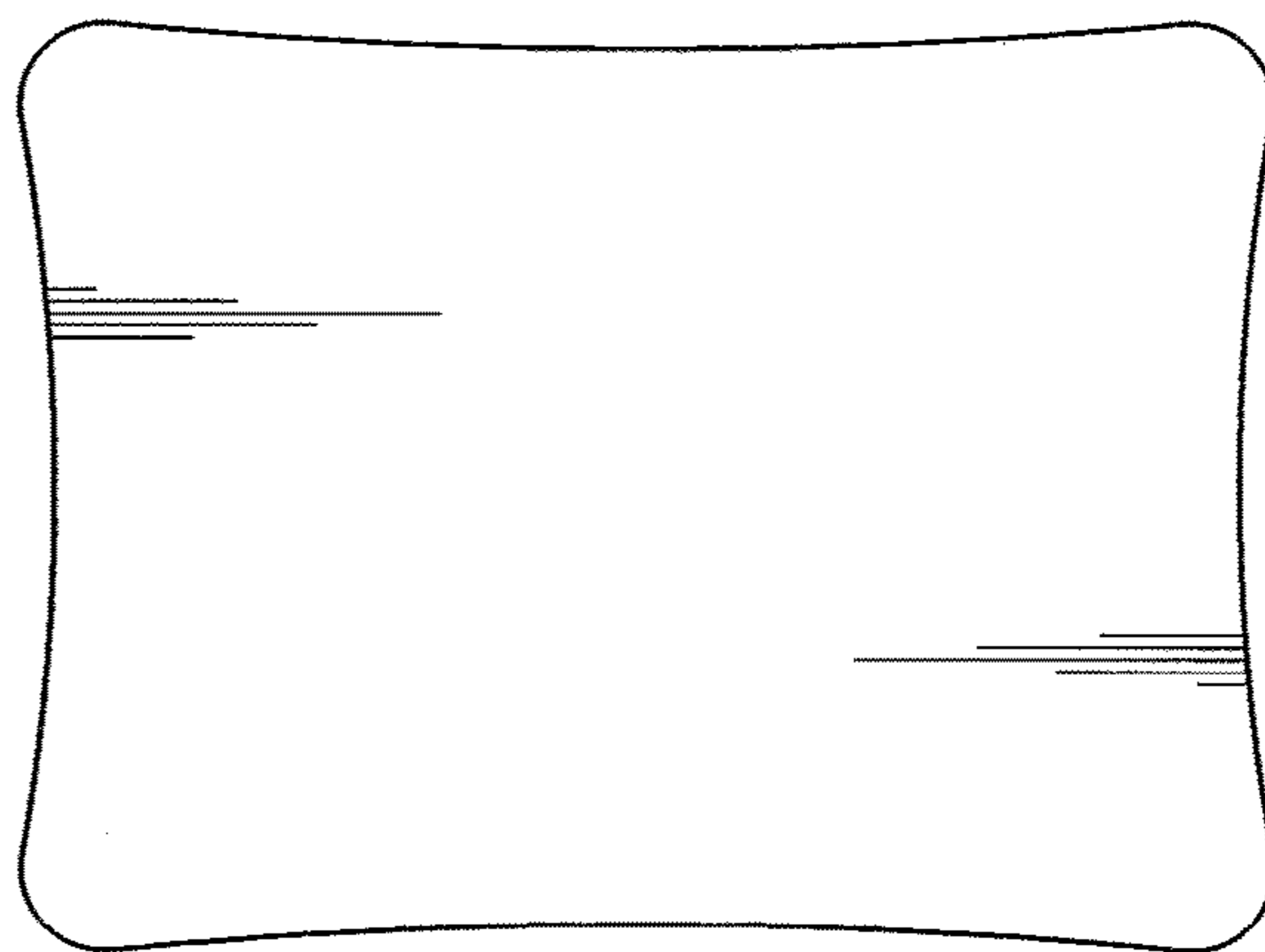


FIG. 16

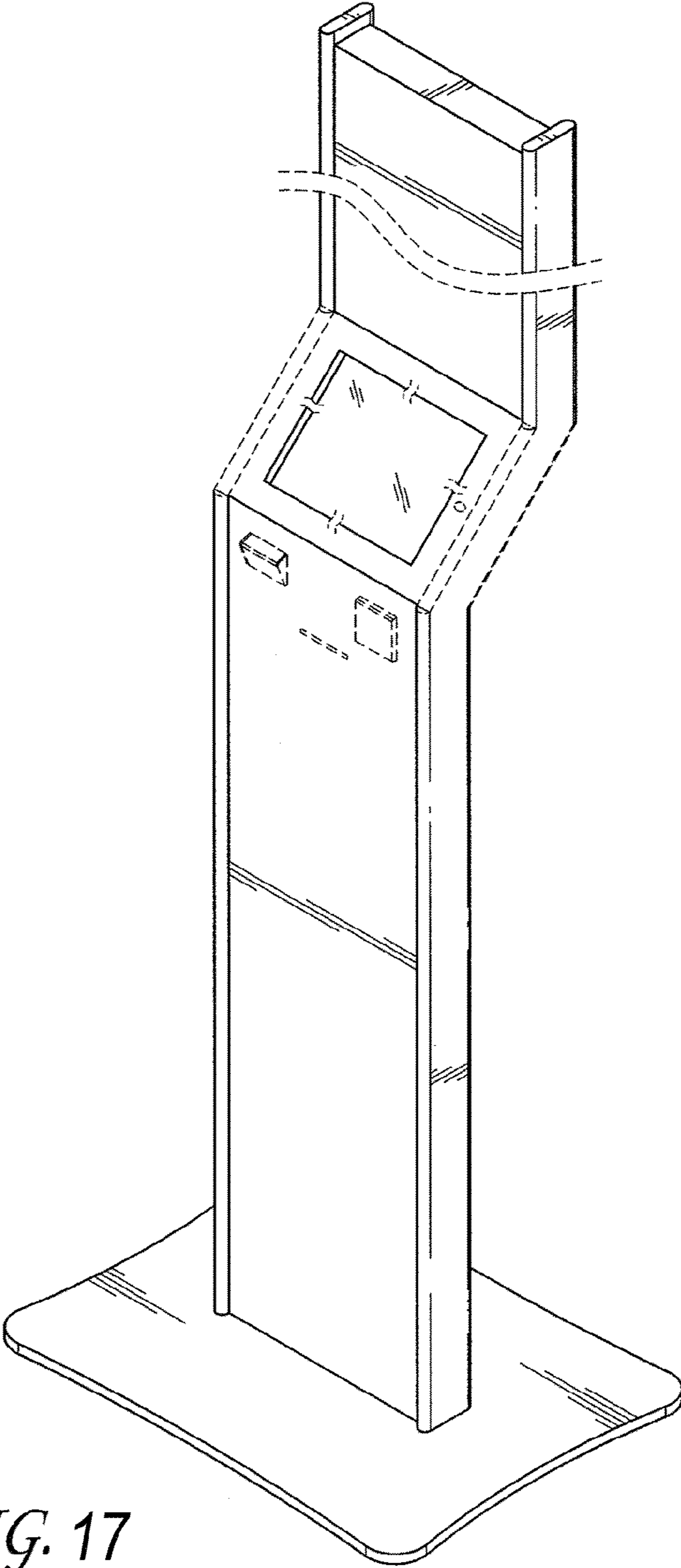


FIG. 17

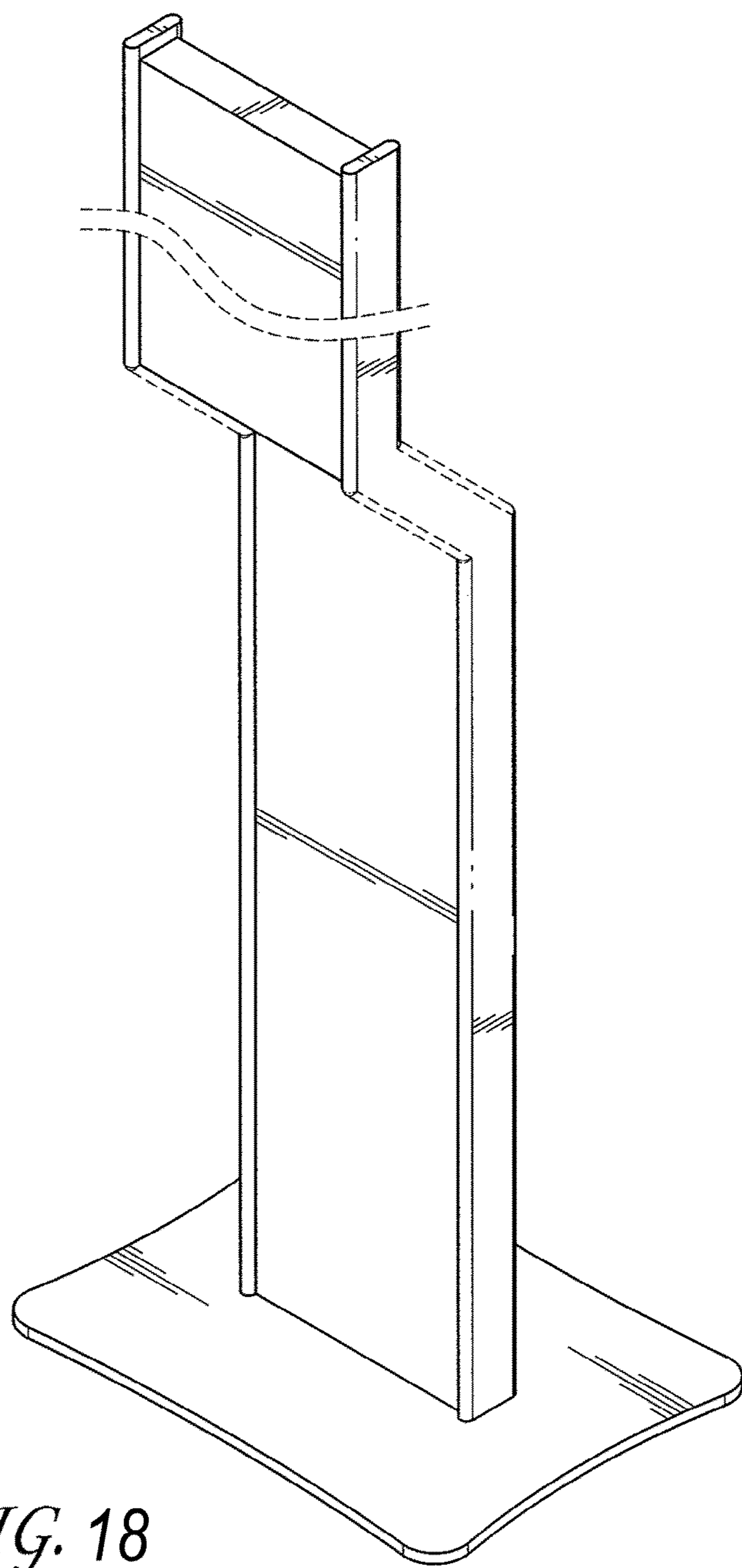


FIG. 18

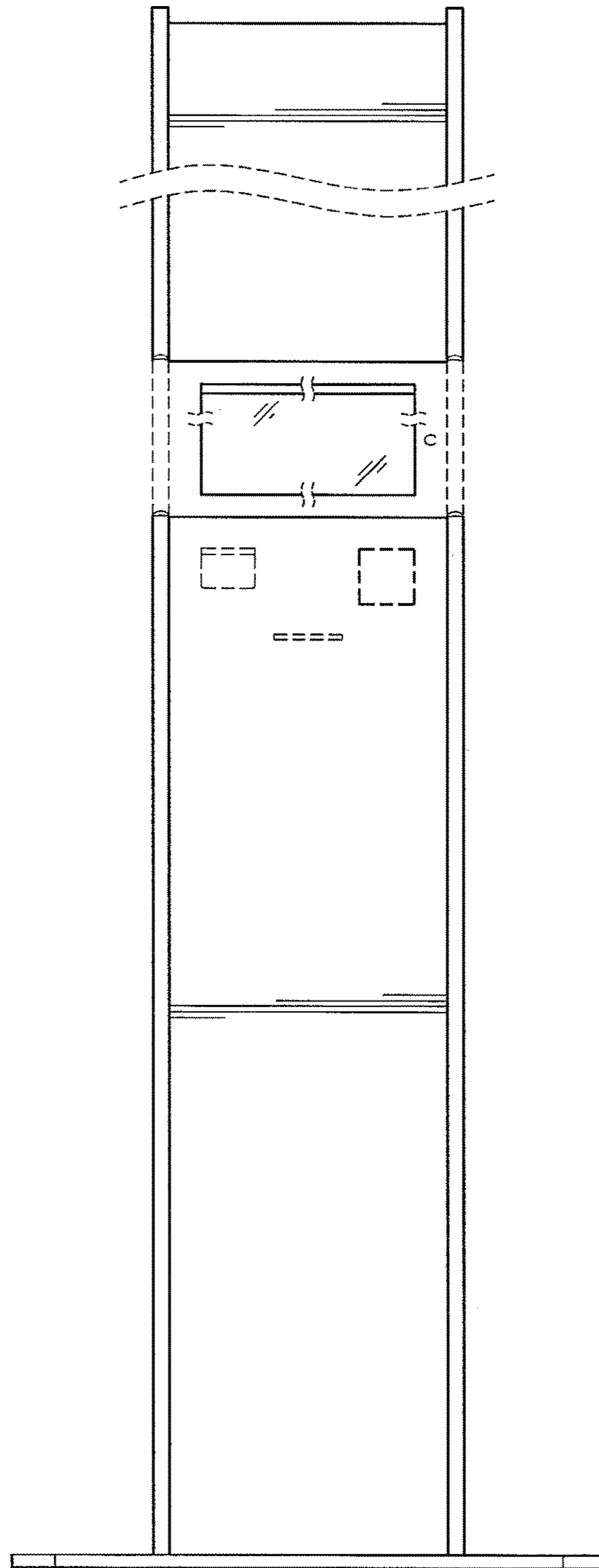


FIG. 19

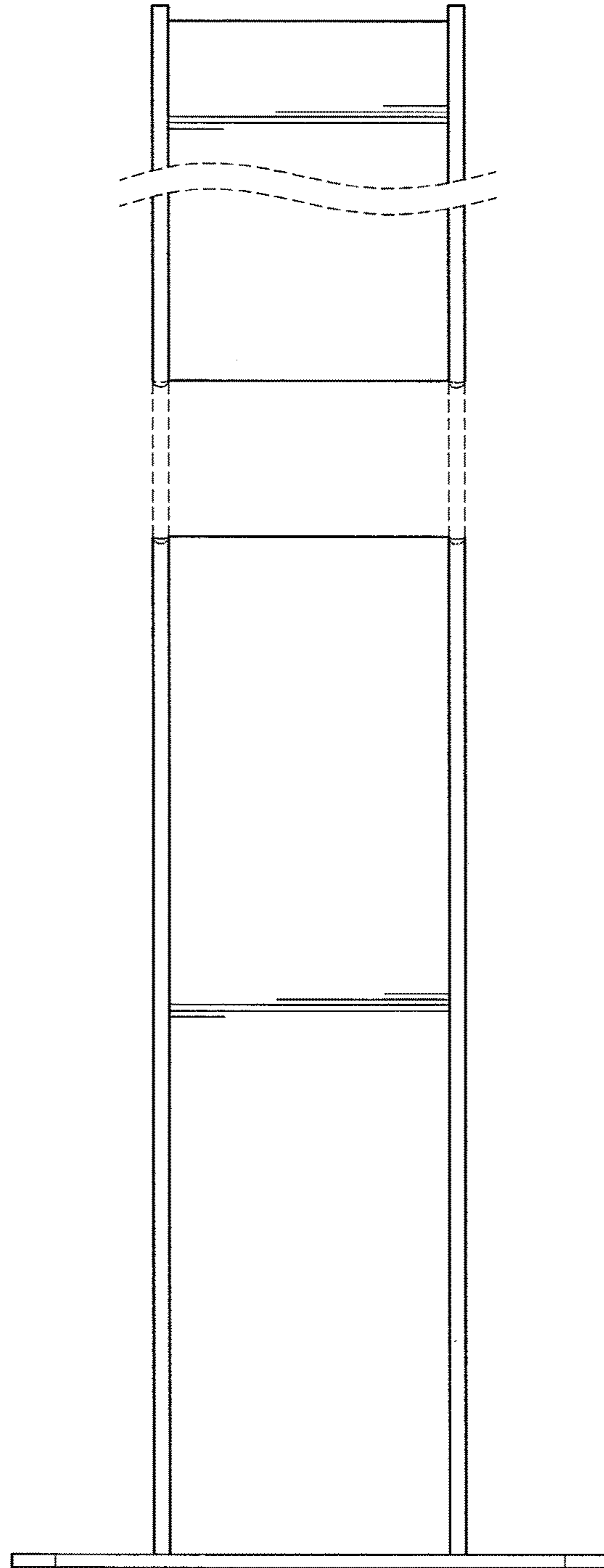


FIG. 20

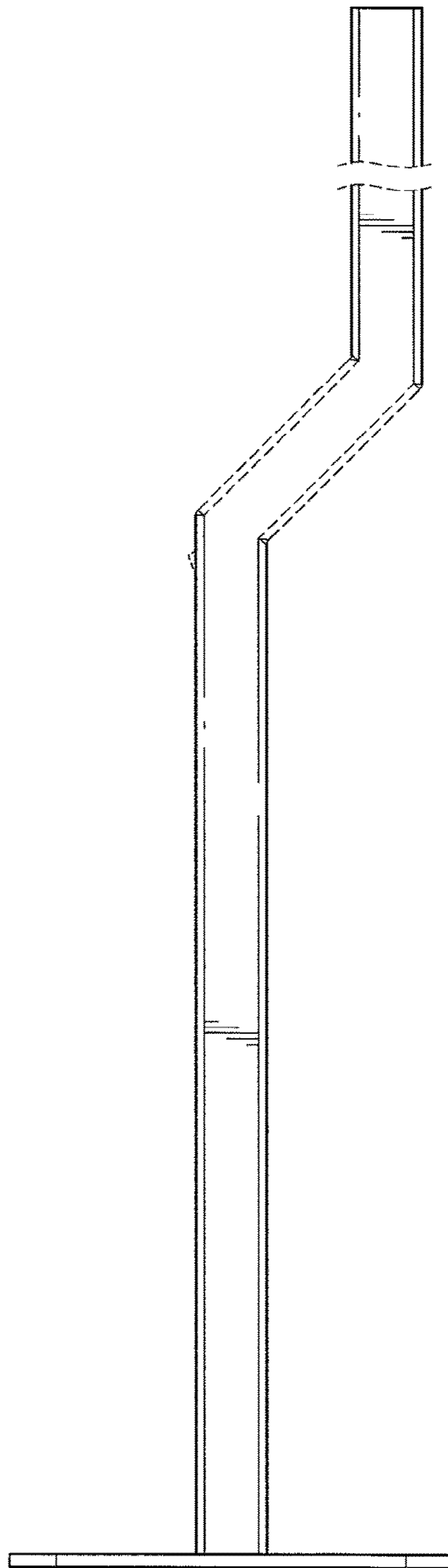


FIG. 21

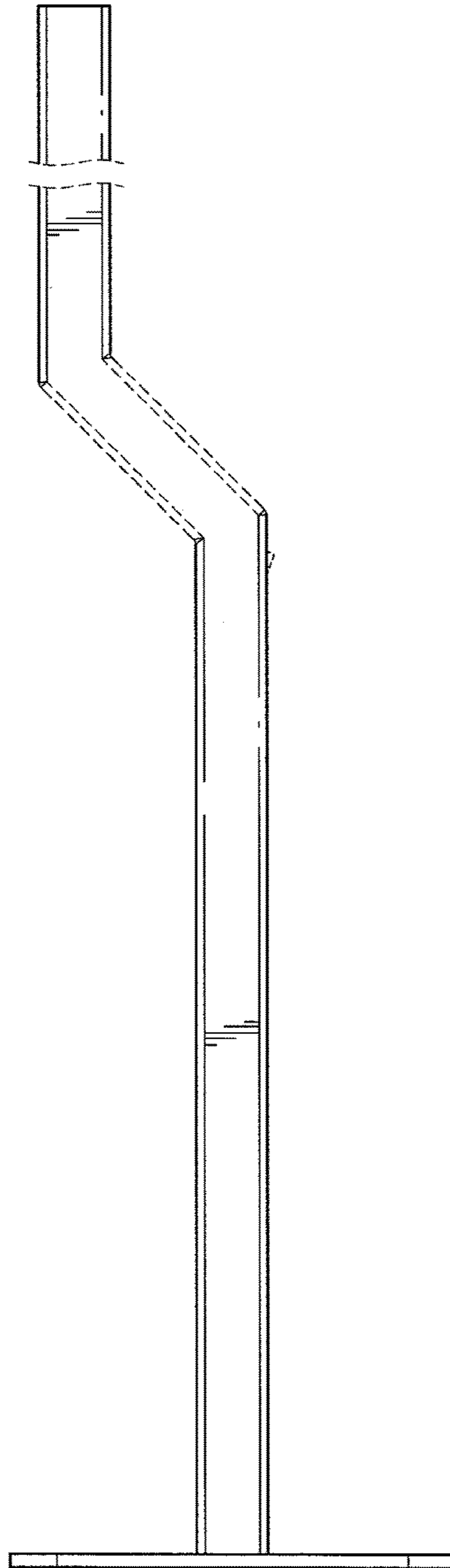


FIG. 22

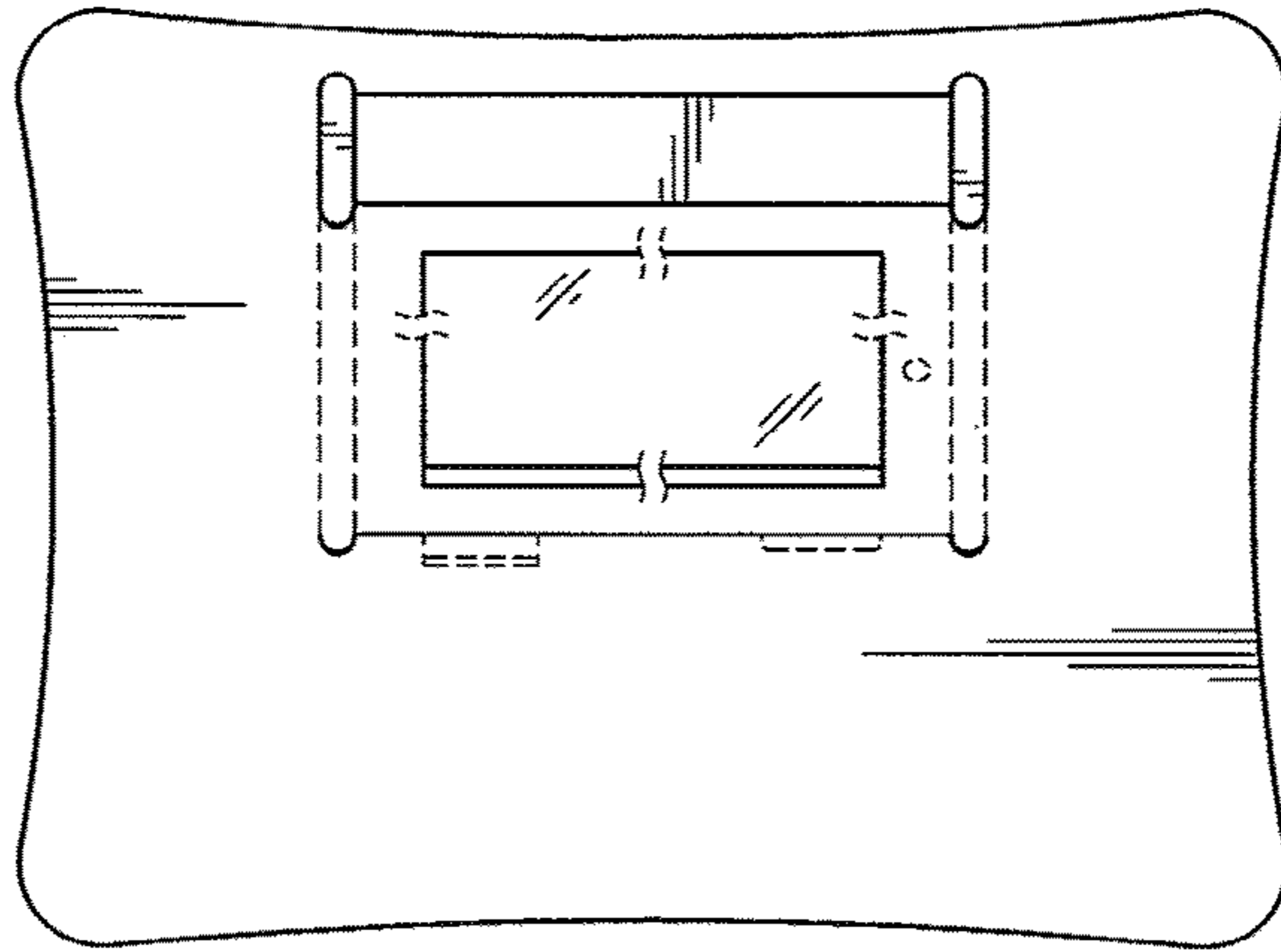


FIG. 23

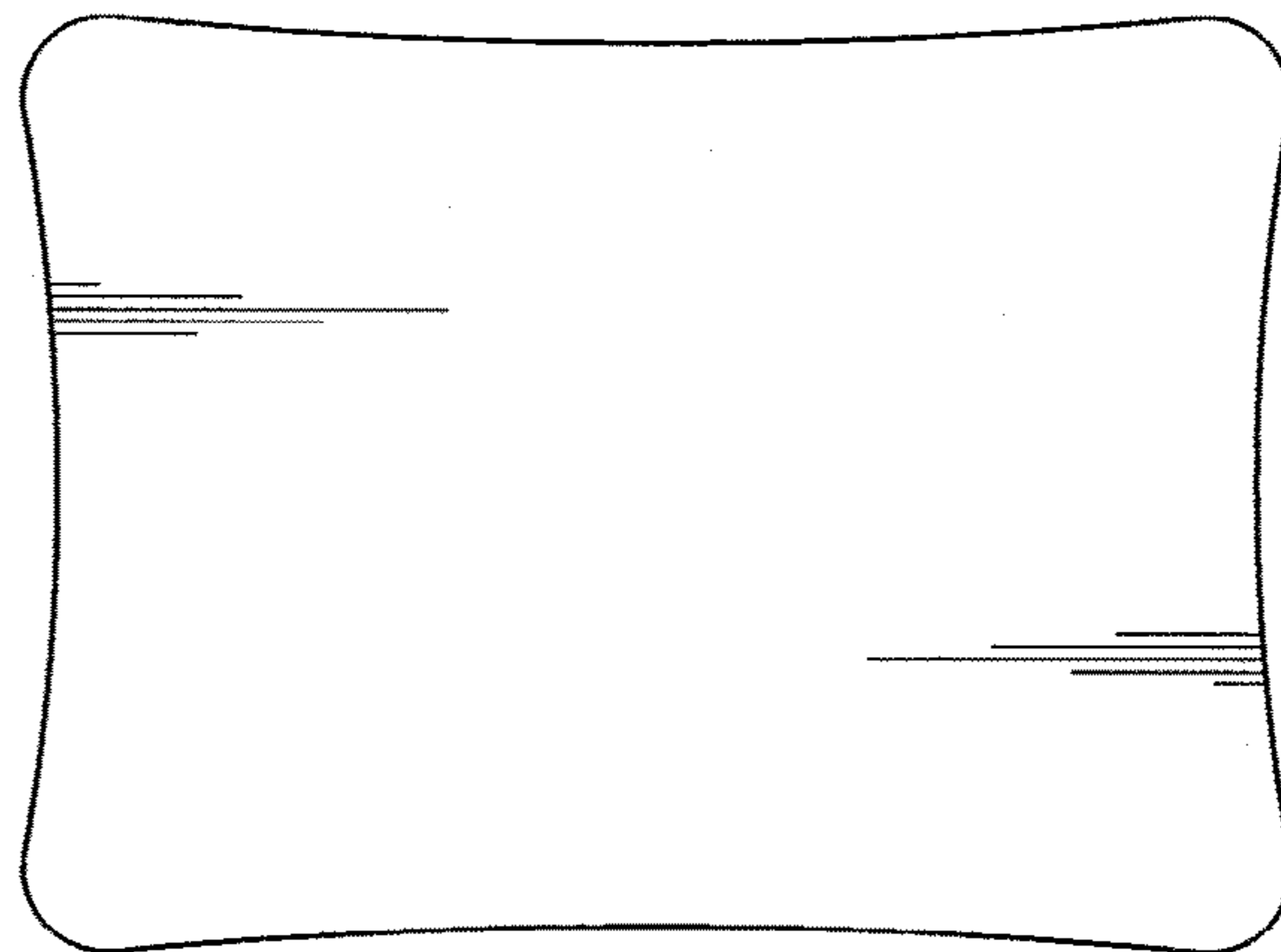


FIG. 24