

US00D723023S

(12) **United States Design Patent**  
**Miles**

(10) **Patent No.:** **US D723,023 S**

(45) **Date of Patent:** **\*\* \*Feb. 24, 2015**

(54) **MOBILE PHONE HOLDER**

(71) Applicant: **Torence Miles**, Corinth, TX (US)

(72) Inventor: **Torence Miles**, Corinth, TX (US)

(\*) Notice: This patent is subject to a terminal disclaimer.

(\*\*) Term: **14 Years**

(21) Appl. No.: **29/475,287**

(22) Filed: **Dec. 2, 2013**

(51) **LOC (10) Cl.** ..... **14-03**

(52) **U.S. Cl.**  
USPC ..... **D14/253**; D9/418

(58) **Field of Classification Search**  
USPC ..... D14/208, 209.1, 217, 238.1, 243,  
D14/250–253, 434, 440, 447, 496,  
D14/203.3–203.7, 248, 240, 341–347;  
D3/201, 215, 218, 226, 269, 273, 301,  
D3/303; D19/90; D6/553; 455/575.1,  
455/575.8; 206/305, 320; 320/108, 115;  
429/96; 220/4.02; 150/165;  
361/679.56, 679.3, 679.25, 816;  
379/426, 446, 455, 433.1; 248/309.1,  
248/371, 176.3, 668; 224/411; D12/223,  
D12/407, 415; D13/102, 108; D9/414–420  
See application file for complete search history.

(56) **References Cited**

U.S. PATENT DOCUMENTS

D47,574 S *	7/1915	Warren	.....	D9/418
D273,179 S	3/1984	Shore		
D289,974 S	5/1987	Hamilton et al.		
D301,575 S *	6/1989	Crawford, Jr.	.....	D13/119
D307,673 S	5/1990	Brown		
D381,515 S	7/1997	Haynes		
6,659,274 B2	12/2003	Enners		
D503,883 S	4/2005	Cox		
D542,524 S	5/2007	Richardson et al.		

D575,147 S	8/2008	Ruybal		
D589,626 S	3/2009	Peterson		
D589,787 S	4/2009	Ruybal		
D610,447 S	2/2010	Seum et al.		
D623,515 S	9/2010	Gordon et al.		
D628,374 S	12/2010	Lee et al.		
D661,897 S	6/2012	Kohler et al.		
D668,246 S	10/2012	Fathollahi		
D671,425 S	11/2012	Huljak et al.		
D680,881 S	4/2013	Huljak et al.		
D701,114 S	3/2014	Baumwald et al.		
D703,527 S	4/2014	Fuller et al.		
D705,765 S *	5/2014	Fathollahi	.....	D14/250
D707,066 S *	6/2014	Theisen et al.	.....	D6/682.2
8,800,762 B2 *	8/2014	Fathollahi	.....	206/320
2011/0210025 A1	9/2011	Miles		

\* cited by examiner

*Primary Examiner* — Susan Bennett Hattan

*Assistant Examiner* — Janice Hallmark

(74) *Attorney, Agent, or Firm* — Chainey P. Singleton; Chalker Flores, LLP

(57) **CLAIM**

The ornamental design for a mobile phone holder, as shown and described.

**DESCRIPTION**

FIG. 1 is an isometric view of a mobile phone holder showing my new design.

FIG. 2 is an isometric view of a mobile phone holder showing my new design with the door open.

FIG. 3 is a side view of a mobile phone holder showing my new design.

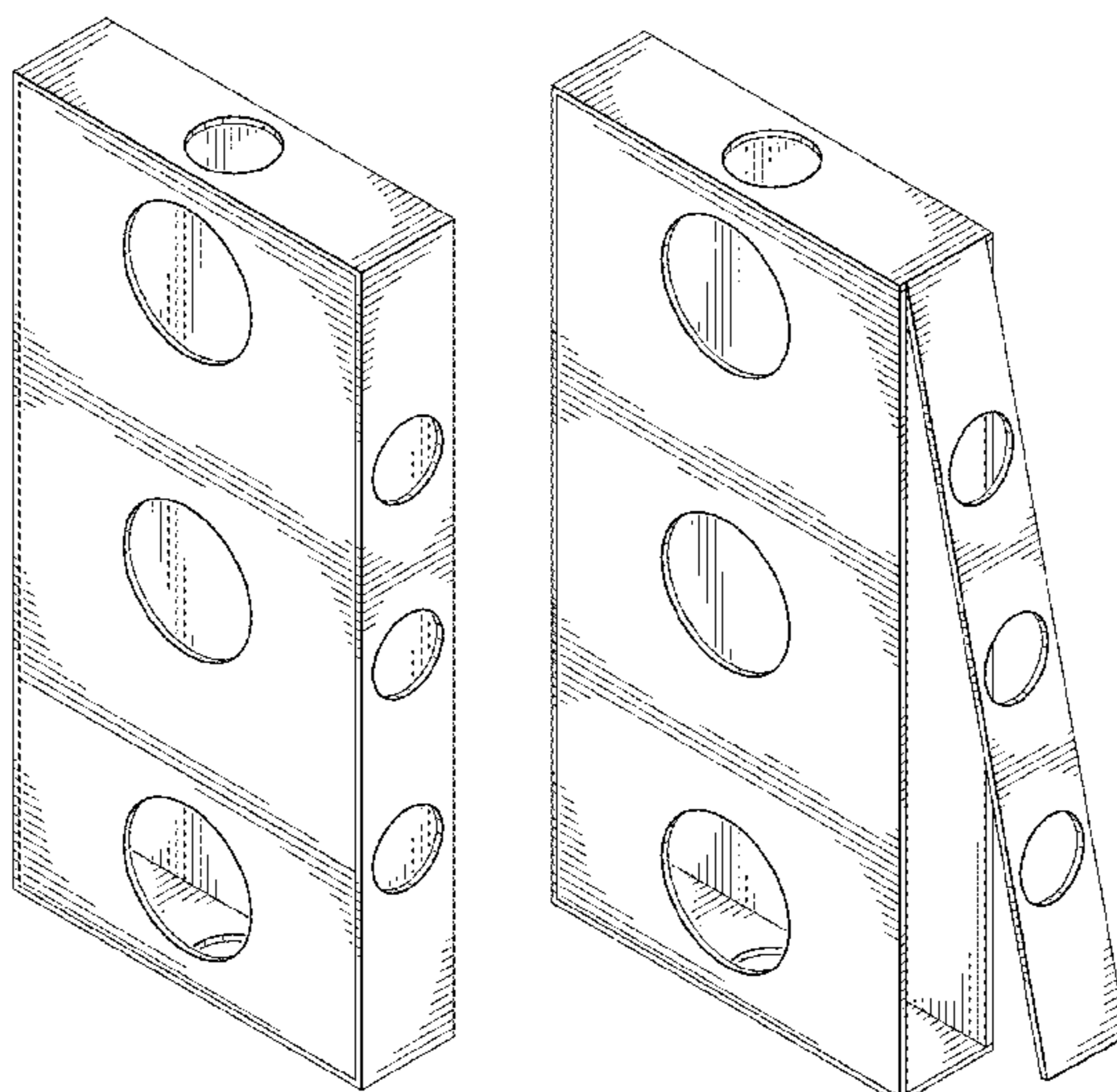
FIG. 4 is a back view of a mobile phone holder showing my new design.

FIG. 5 is a bottom view of a mobile phone holder showing my new design.

FIG. 6 is a bottom view of a mobile phone holder showing my new design; and,

FIG. 7 is a front view of a mobile phone holder showing my new design.

**1 Claim, 3 Drawing Sheets**



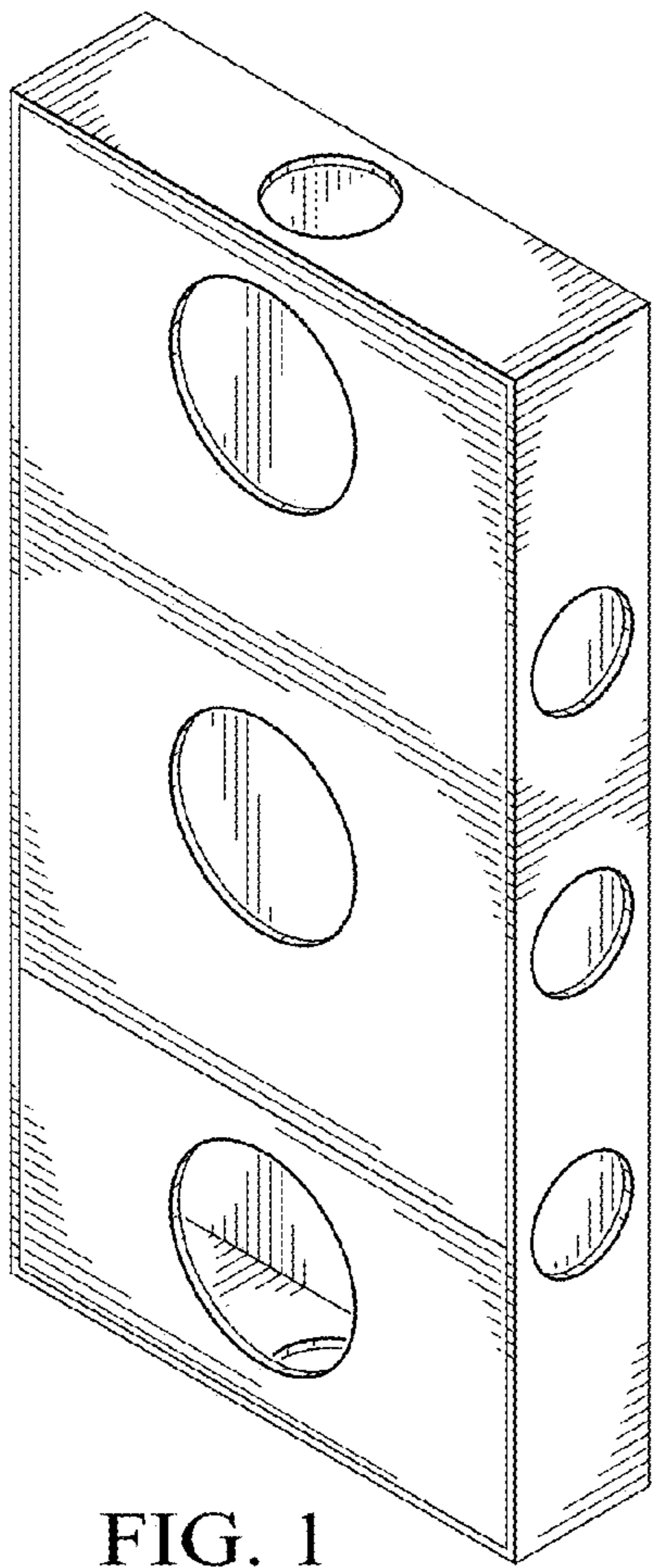


FIG. 1

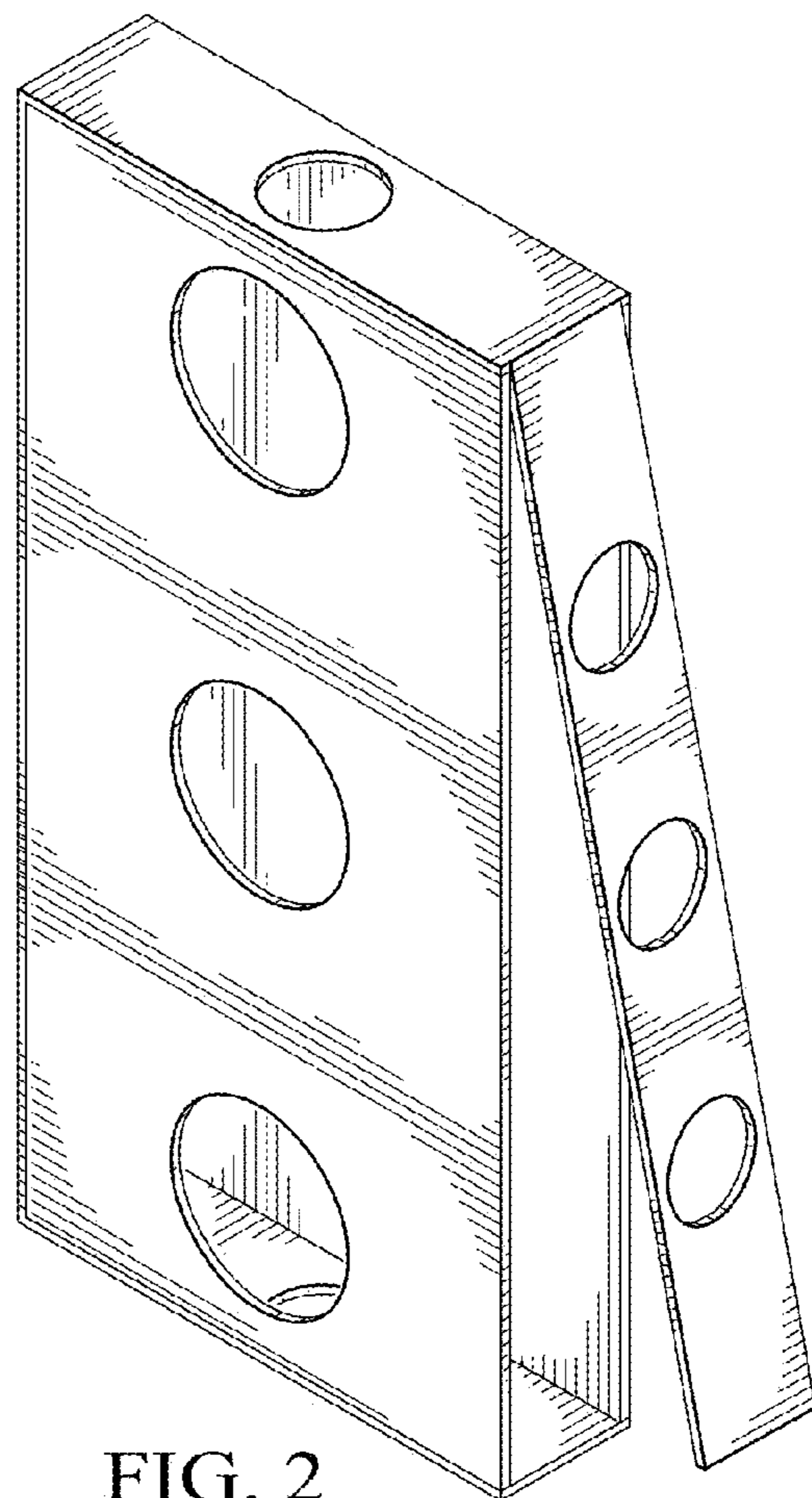


FIG. 2

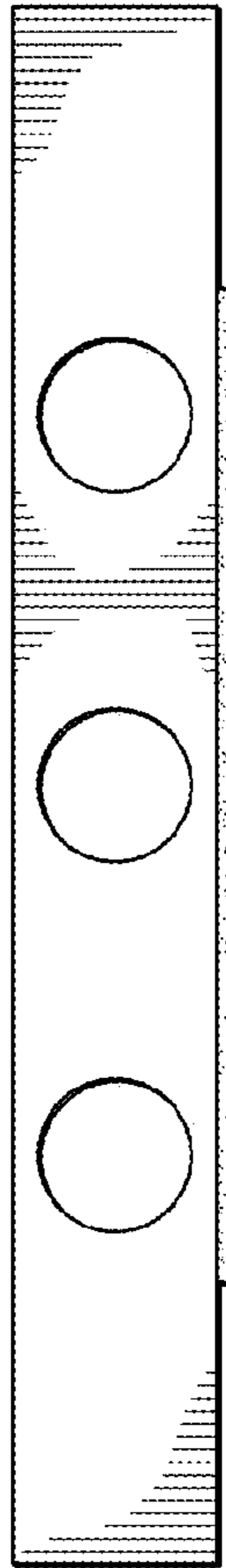


FIG. 3

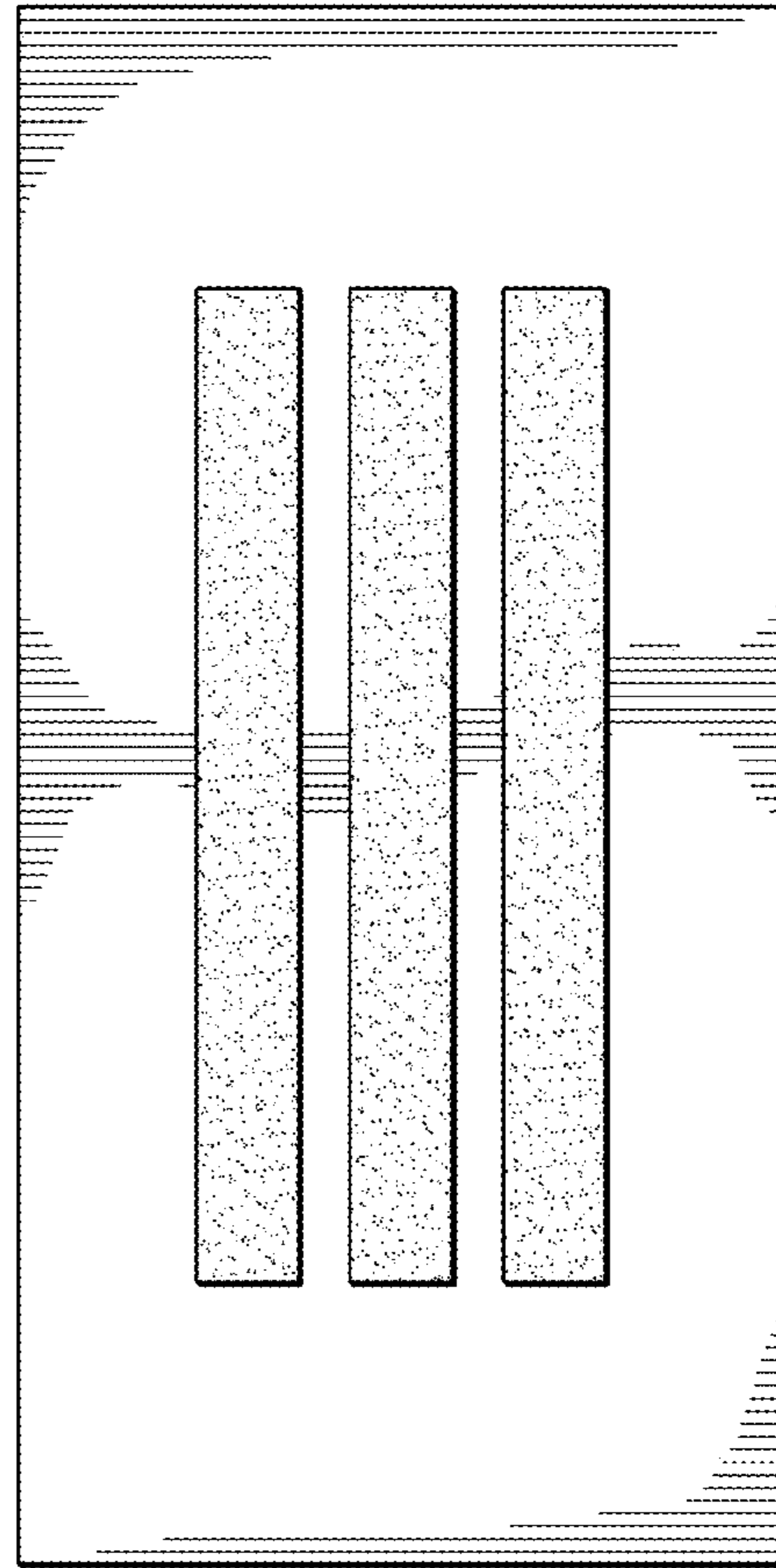


FIG. 4

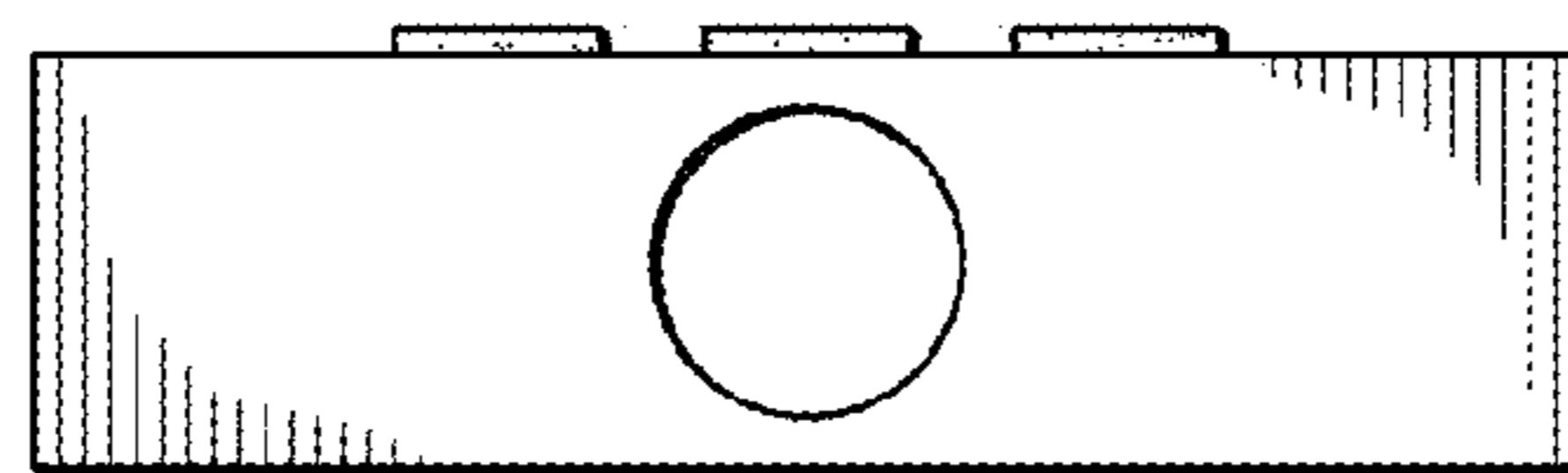


FIG. 5

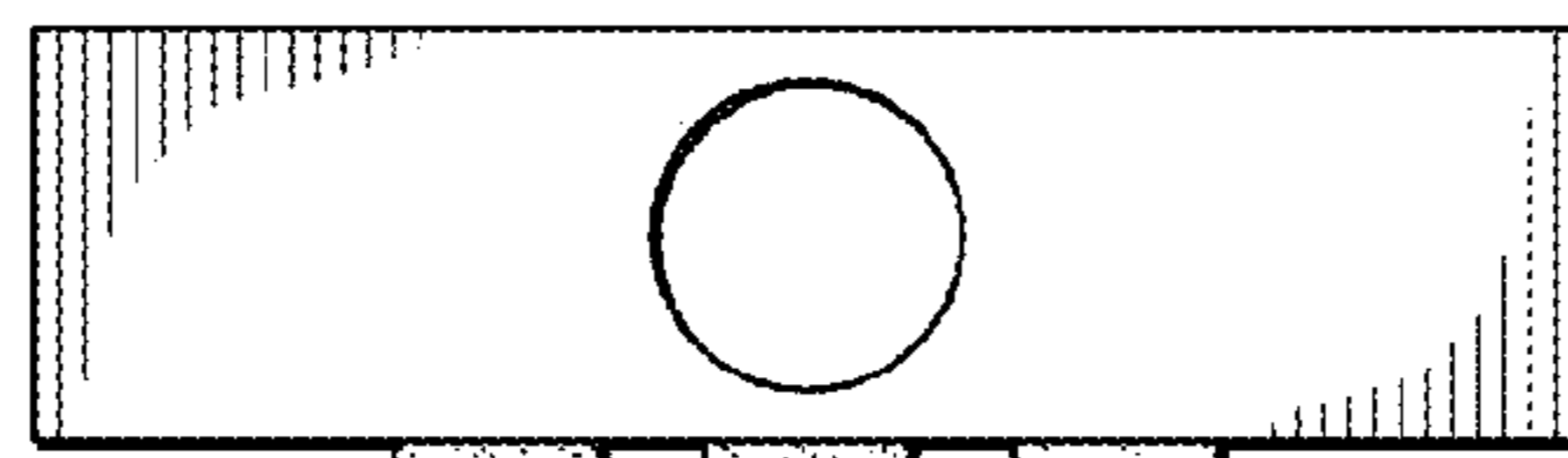


FIG. 6

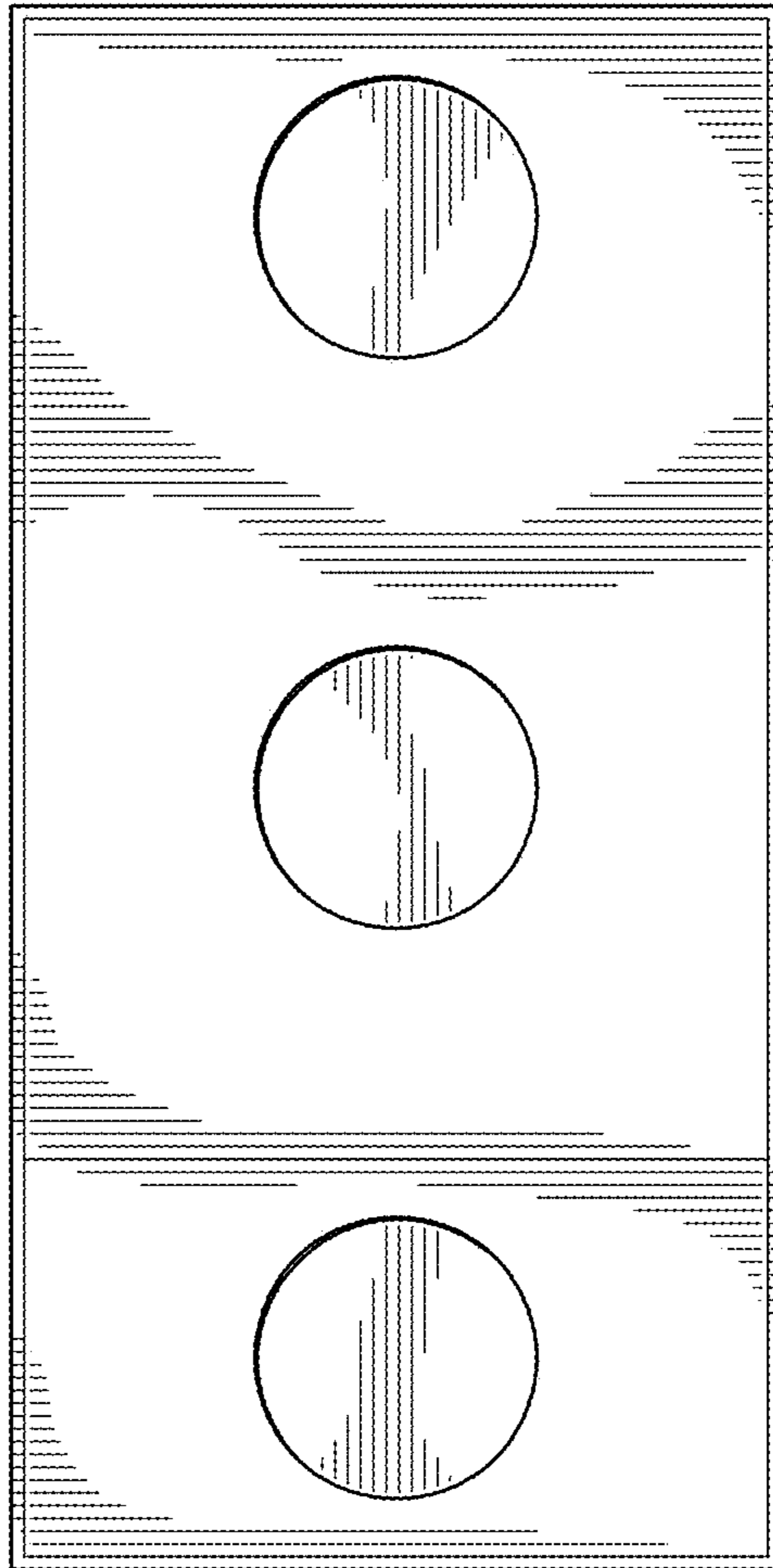


FIG. 7