



US00D723019S

(12) **United States Design Patent**
Chan et al.

(10) **Patent No.:** **US D723,019 S**
(45) **Date of Patent:** **** Feb. 24, 2015**

(54) **PHONE CASE**

(71) Applicant: **ZeroLemon LLC**, Cheyenne, WY (US)

(72) Inventors: **Stephen Ching Yat Chan**, Hong Kong (HK); **Wei Chen**, Shenzhen (CN)

(73) Assignee: **ZeroLemon LLC**, Cheyenne, WY (US)

(**) Term: **14 Years**

(21) Appl. No.: **29/467,610**

(22) Filed: **Sep. 20, 2013**

(51) **LOC (10) Cl.** **14-03**

(52) **U.S. Cl.**
USPC **D14/250**

(58) **Field of Classification Search**
USPC D14/238.1, 248, 250, 251–253, 440, D14/447; D13/103, 107–108, 119; D3/201, D3/218, 247, 269, 273, 301, 303; 361/220, 361/379.01, 679.01, 679.02, 679.09, 361/679.21, 679.25, 679.3, 679.4, 679.56, 361/679.57, 759, 807, 816; 379/433.11, 379/451, 455; 455/556.1, 557, 566, 575.1, 455/575.2, 575.8; 206/37, 45.2, 305, 320, 206/216; 320/108, 115; 429/96; 220/4.02; 150/165; 174/50; 235/41, 375, 462; 312/223.1; 396/535; 248/176.3, 188.8, 248/309.1, 371, 668

See application file for complete search history.

(56) **References Cited**

U.S. PATENT DOCUMENTS

D525,243	S	*	7/2006	Griffin	D14/248
D574,819	S	*	8/2008	Andre et al.	D3/269
D600,908	S	*	9/2009	Richardson et al.	D3/218
D603,603	S	*	11/2009	Laine et al.	D3/218
D610,135	S	*	2/2010	Hofer et al.	D14/248
8,051,980	B2	*	11/2011	Tai et al.	206/320

D680,546	S	*	4/2013	Tang et al.	D14/440
D682,260	S	*	5/2013	Tages et al.	D14/250
D686,626	S	*	7/2013	Tan	D14/440
8,483,786	B2	*	7/2013	Ramies et al.	455/575.8
D697,502	S	*	1/2014	Chu et al.	D14/250
8,706,176	B1	*	4/2014	Jia et al.	455/575.8
8,718,731	B1	*	5/2014	Tang	455/575.8
D709,488	S	*	7/2014	Bulkley et al.	D14/250
D709,868	S	*	7/2014	Witter et al.	D14/250
2011/0284407	A1	*	11/2011	Connolly	206/320
2011/0319147	A1	*	12/2011	Tages et al.	455/575.8
2012/0118773	A1	*	5/2012	Rayner	206/320
2013/0088813	A1	*	4/2013	Su et al.	361/679.01
2014/0066143	A1	*	3/2014	Choi	455/575.8

OTHER PUBLICATIONS

ZeroLemon Samsung Galaxy S3 7000mAh Extended Battery with case, posted Mar. 13, 2013, URL:<<http://www.igadgetgeek.com/android/zerolemon>>, retrieved from internet on Sep. 29, 2014.*
ZeroLemon Galaxy S4 7500mAh Extended Battery, posted Jul. 8, 2013, URL:<<http://galaxys4cases.net/>>, retrieved from internet on Sep. 29, 2014.*

* cited by examiner

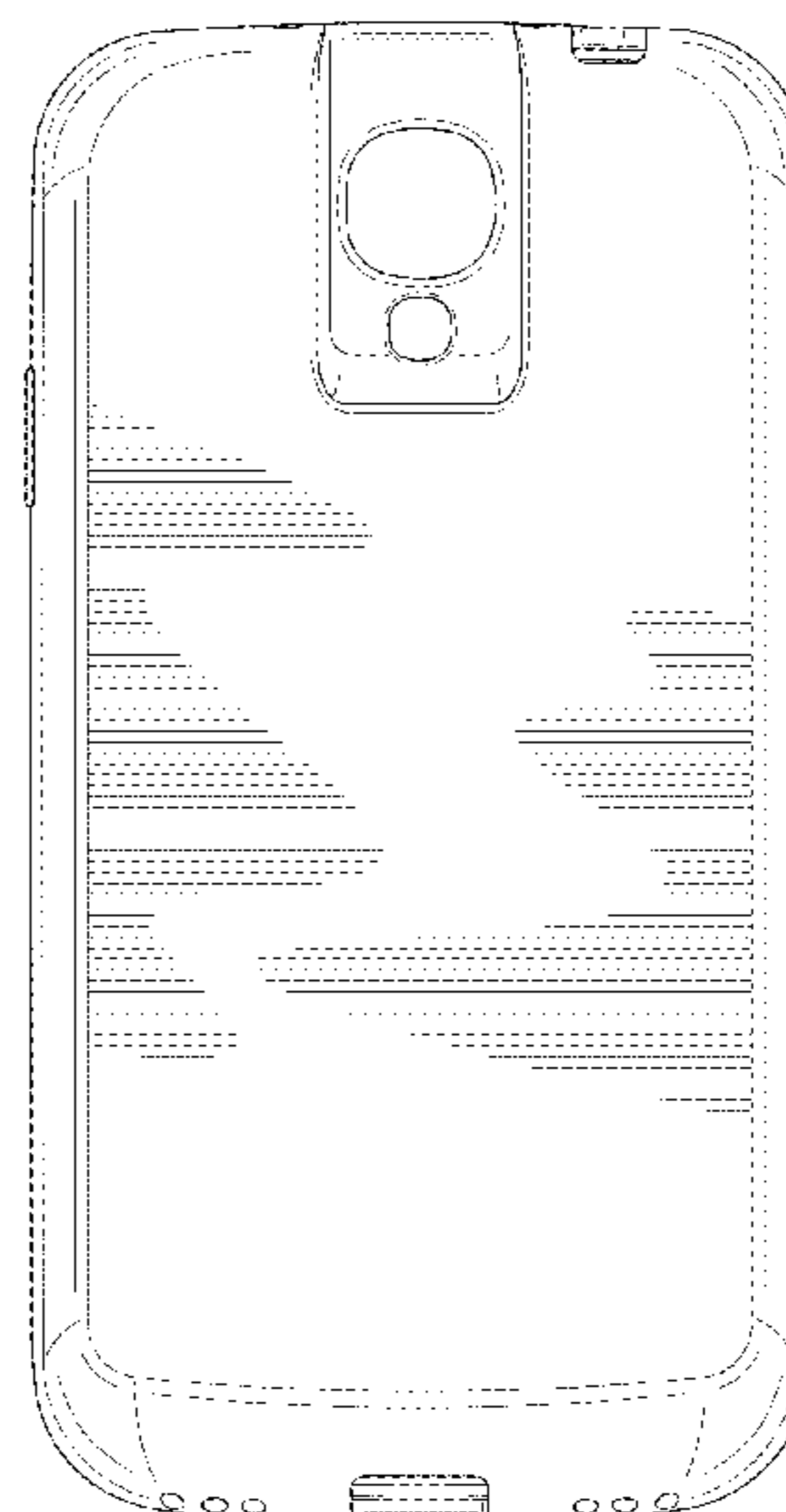
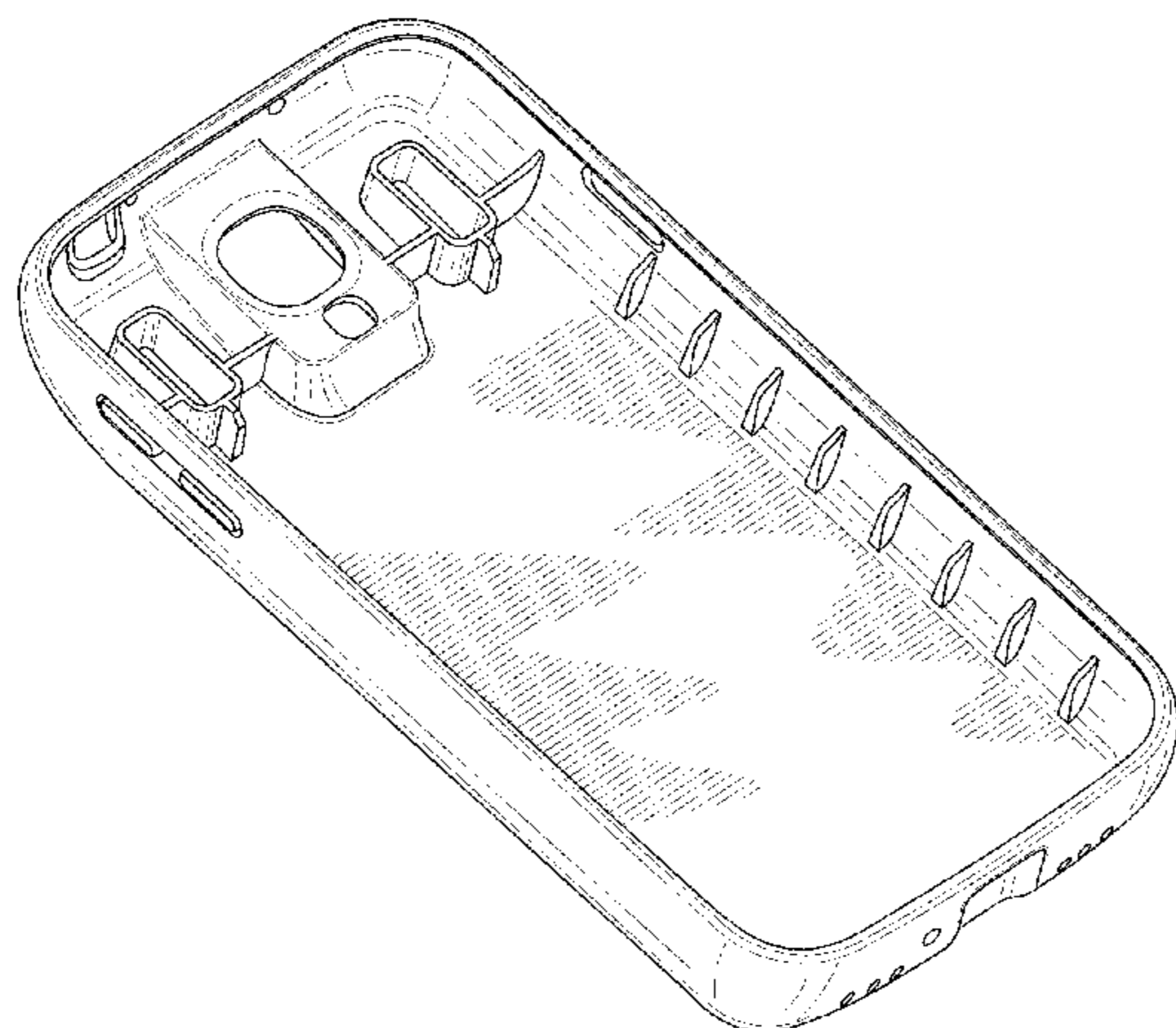
Primary Examiner — Carla Jobe Wright
(74) *Attorney, Agent, or Firm* — Rabin & Berdo, P.C.

(57) **CLAIM**
The ornamental design for a phone case, as shown and described.

DESCRIPTION

FIG. 1 is a rear perspective view of a phone case;
FIG. 2 is a front perspective view thereof;
FIG. 3 is a rear view thereof;
FIG. 4 is a front view thereof;
FIG. 5 is a right view thereof;
FIG. 6 is a left side view thereof;
FIG. 7 is a top view thereof; and,
FIG. 8 is a bottom view thereof.

1 Claim, 6 Drawing Sheets



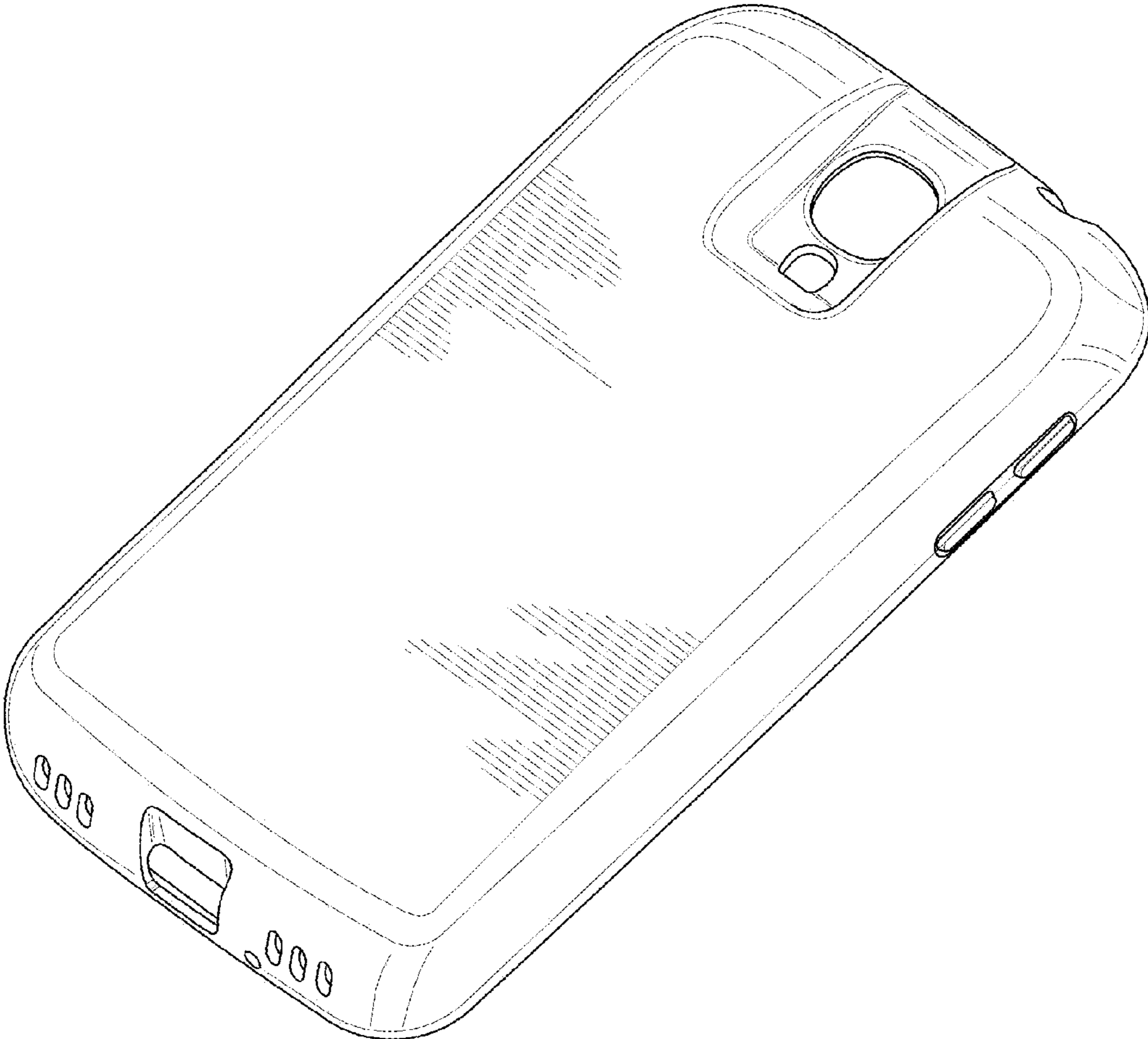


FIG. 1

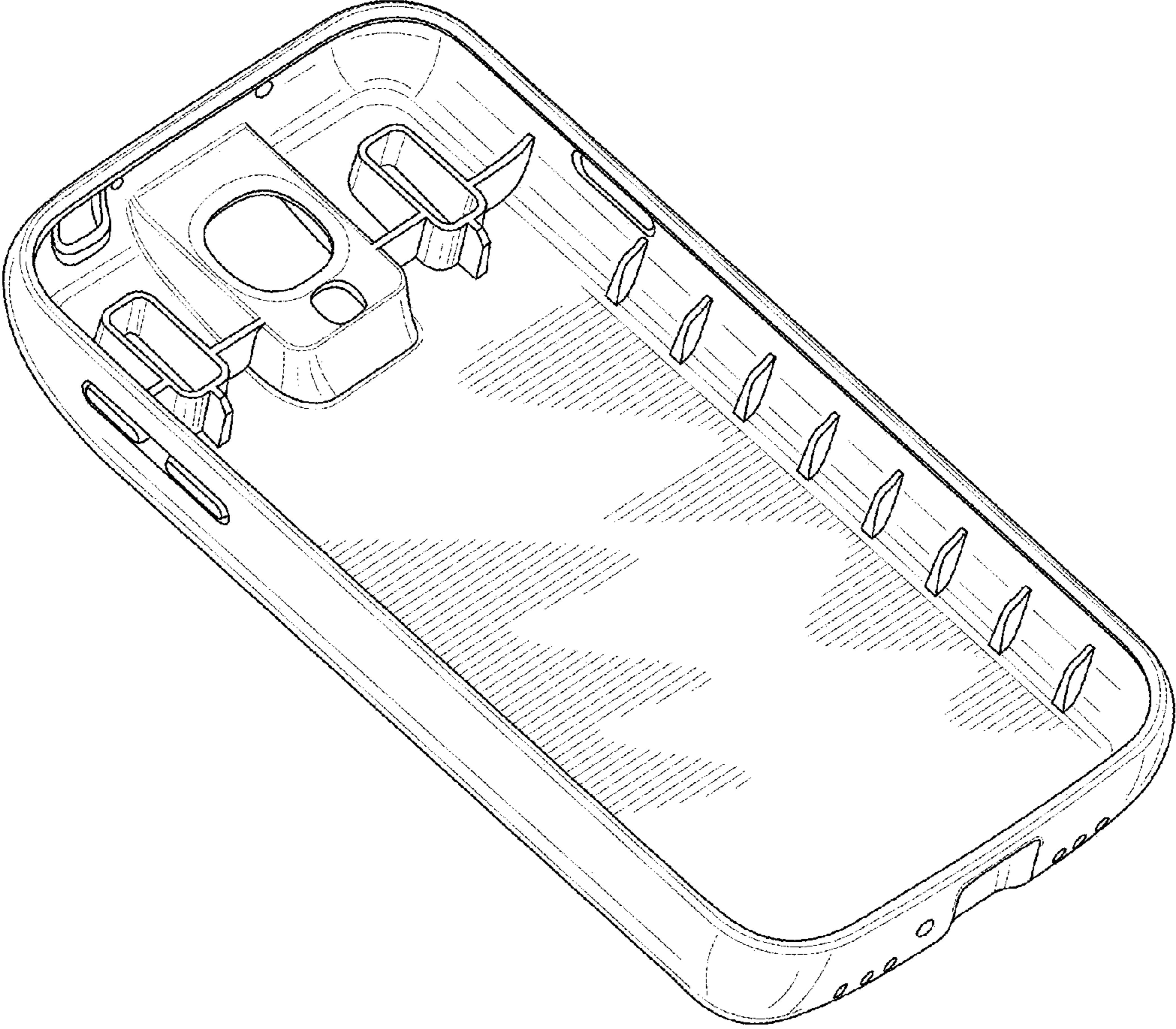


FIG. 2

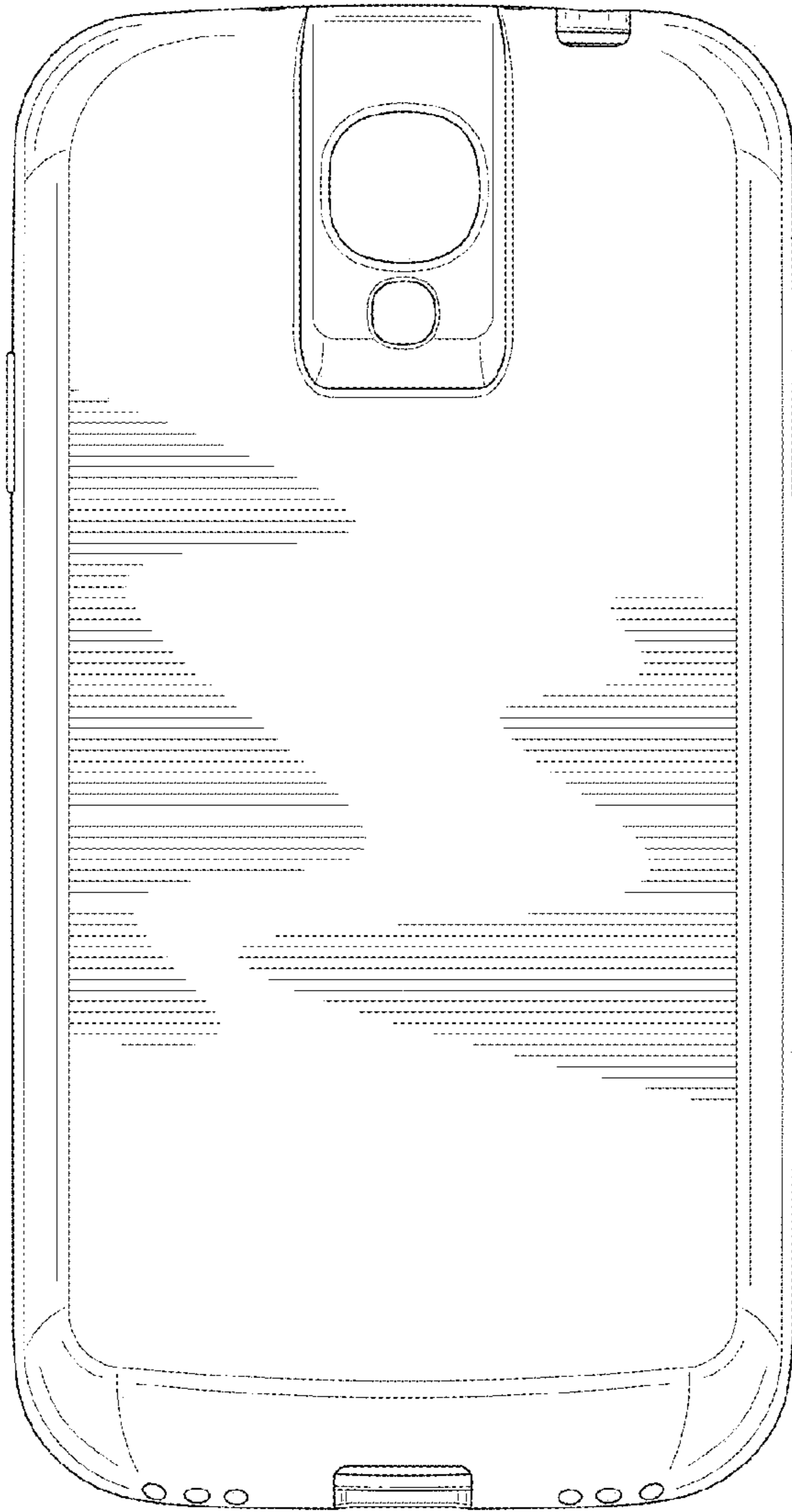


FIG. 3

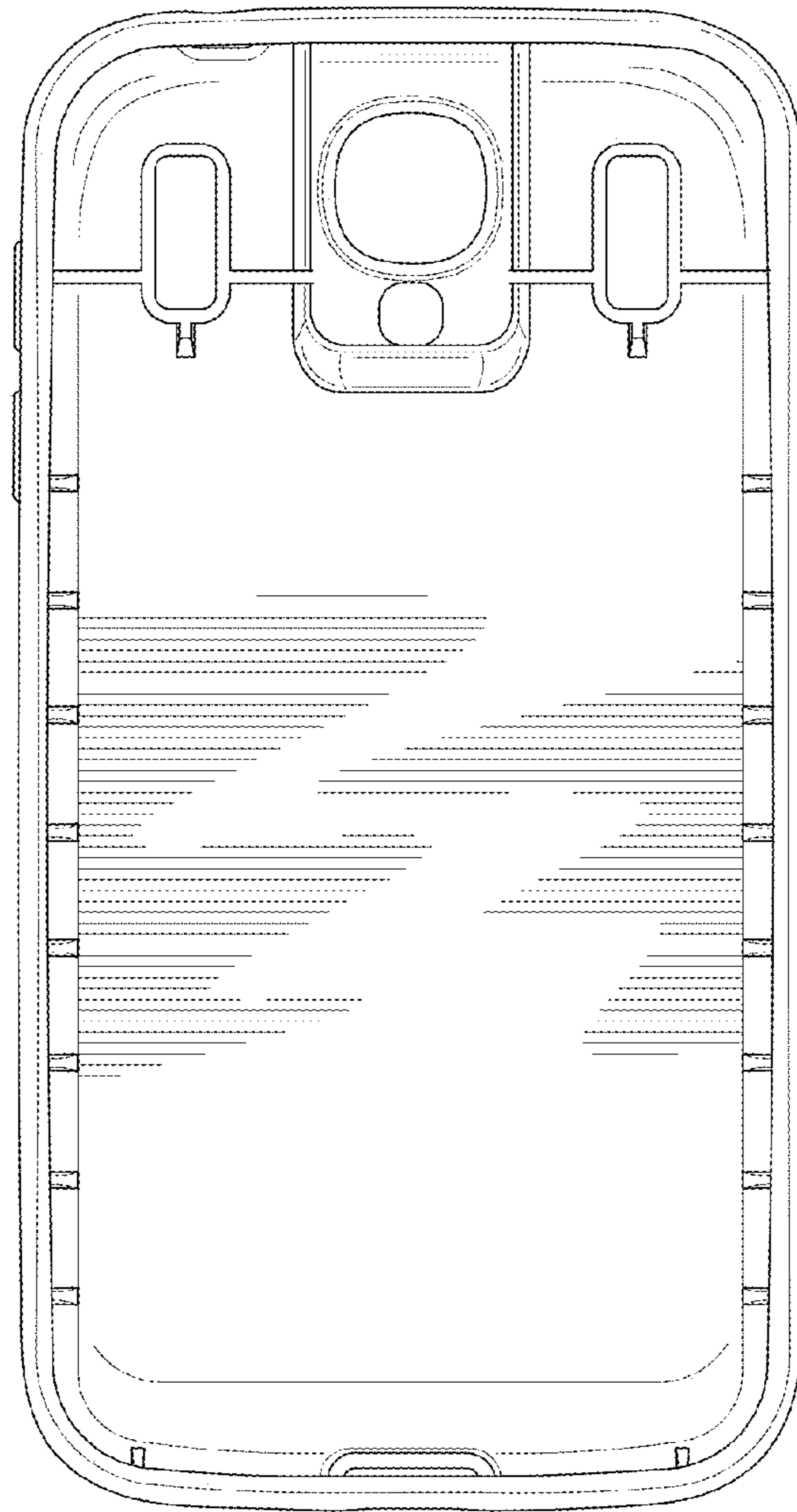


FIG. 4

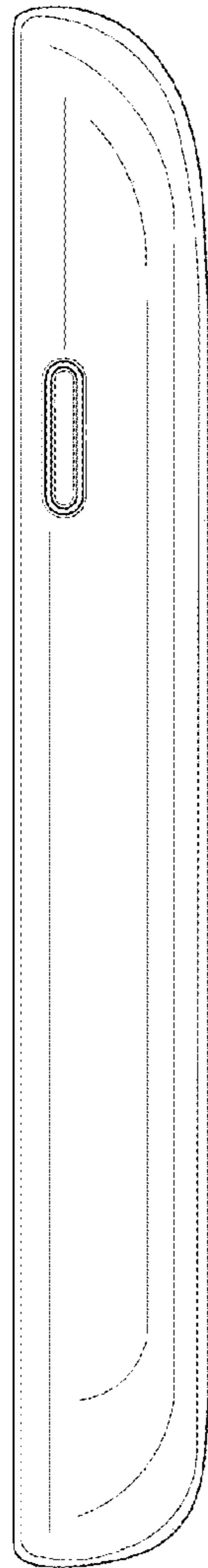


FIG. 5

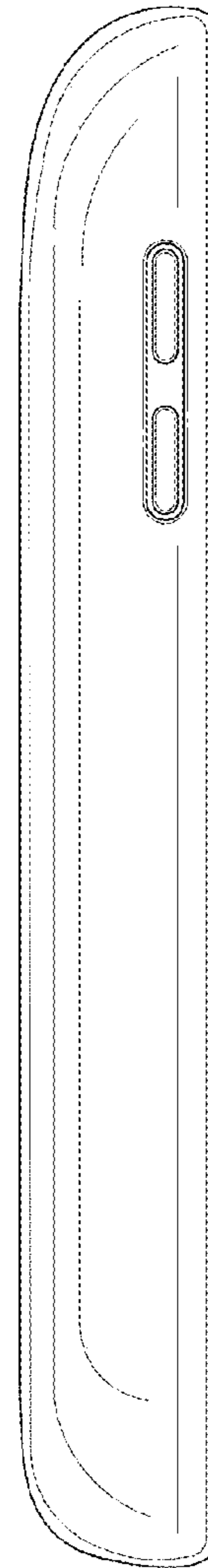


FIG. 6

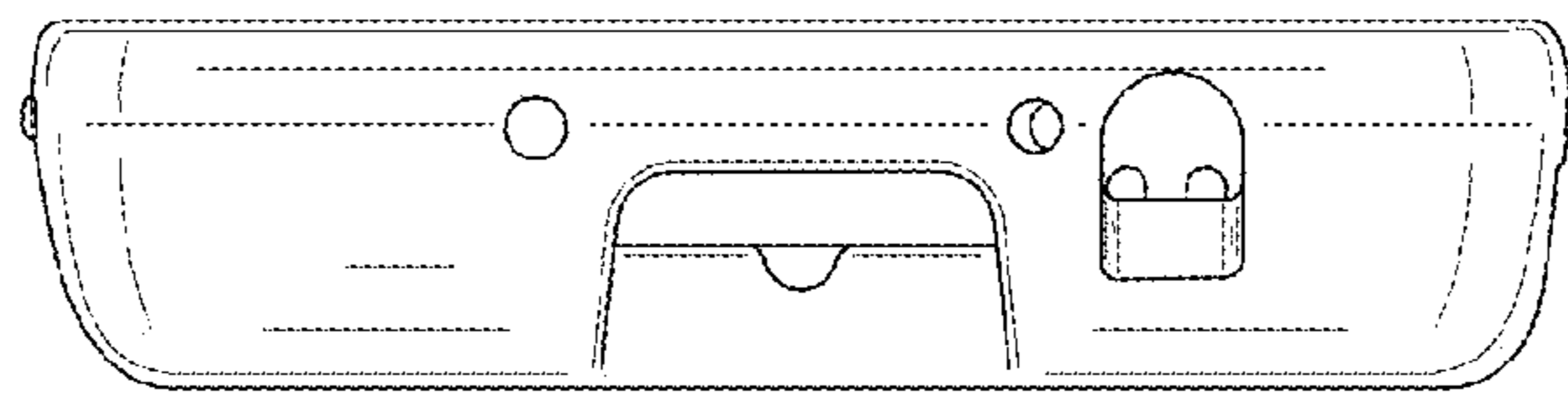


FIG. 7

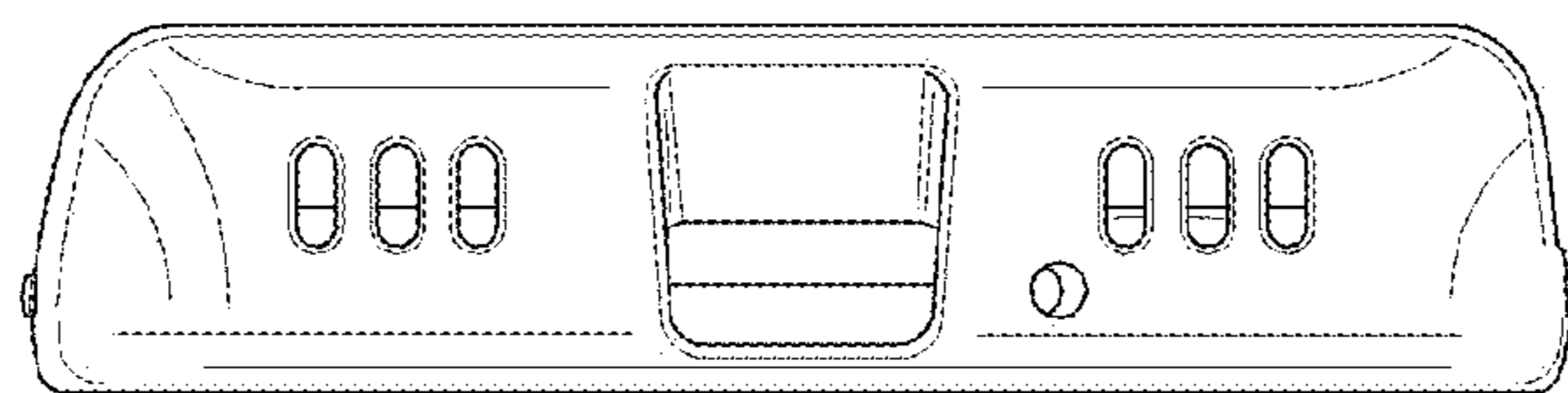


FIG. 8