



US00D723018S

(12) **United States Design Patent**
White

(10) **Patent No.:** **US D723,018 S**

(45) **Date of Patent:** **** *Feb. 24, 2015**

(54) **CELLPHONE HOLDER**

(71) Applicants: **MOHS Innovations LLC**, Brooklyn, NY (US); **Joshua White**, Passaic, NJ (US)

(72) Inventor: **Joshua White**, Passaic, NJ (US)

(73) Assignee: **MOHS Innovations LLC**, Brooklyn, NY (US)

(*) Notice: This patent is subject to a terminal disclaimer.

(**) Term: **14 Years**

(21) Appl. No.: **29/467,136**

(22) Filed: **Sep. 16, 2013**

(51) **LOC (10) Cl.** **14-03**

(52) **U.S. Cl.**
USPC **D14/250**

(58) **Field of Classification Search**
USPC D14/250–253, 440, 203.3–203.7, 217, D14/496, 248, 238.1, 240, 447, 341–347, D14/444; D13/103, 107–108, 119; D3/201, D3/218, 247, 269, 273, 301, 303; 248/176.3, 188.8, 309.1, 371, 668; 361/220, 379.01, 679.01, 679.02, 361/679.09, 679.21, 679.25, 679.3, 679.4, 361/679.56, 679.57, 759, 807, 816; 379/433.11, 451, 455; 455/556.1, 557, 455/566, 575.1, 575.2, 575.8; 206/37, 45.2, 206/305, 320, 216; 320/108, 115; 429/96; 220/4.02; 150/165; 174/50; 235/41, 235/375, 462; 312/223.1; 396/535

See application file for complete search history.

(56) **References Cited**

U.S. PATENT DOCUMENTS

5,004,106 A * 4/1991 Blumstock et al. 206/581
5,517,683 A * 5/1996 Collett et al. 455/575.1
5,947,294 A * 9/1999 Omata et al. 206/534.1

D556,681 S * 12/2007 Kim D13/103
D609,463 S * 2/2010 Bullen D3/218
D650,810 S * 12/2011 Lemelman et al. D14/496
8,077,860 B2 * 12/2011 Lin 379/447
D653,202 S * 1/2012 Hasbrook et al. D13/103
D663,263 S * 7/2012 Gupta et al. D13/103
D664,091 S * 7/2012 Pliner et al. D13/108
D665,347 S * 8/2012 Chen D13/108
D665,735 S * 8/2012 Kang et al. D13/108
D671,493 S * 11/2012 Hasbrook et al. D13/119
D677,249 S * 3/2013 Li et al. D14/250
D679,271 S * 4/2013 Liu D14/250
8,644,895 B2 * 2/2014 Heywood 455/575.8
D703,651 S * 4/2014 Ehrlich D14/250
2011/0064401 A1 * 3/2011 Desorbo 396/419
2011/0304963 A1 * 12/2011 Luksik 361/679.01
2012/0106054 A1 * 5/2012 Royz et al. 361/679.3
2013/0088813 A1 * 4/2013 Su et al. 361/679.01
2013/0220847 A1 * 8/2013 Fisher et al. 206/216
2013/0273983 A1 * 10/2013 Hsu 455/575.1
2014/0117820 A1 * 5/2014 Hung 312/223.1
2014/0128130 A1 * 5/2014 Chiu 455/575.8

* cited by examiner

OTHER PUBLICATIONS

No more charging cables: Prong iPhone case has wall prongs, published Sep. 9, 2013, <URL:http://www.cnet.com/news/no-more-charging-cables-prong-iphone-case-has-wall-prongs/>, retrieved from internet on Jun. 14, 2014.*

Primary Examiner — Carla Jobe Wright

(74) *Attorney, Agent, or Firm* — Kenyon & Kenyon, LLP

(57) **CLAIM**

The ornamental design for a cellphone holder, as shown and described.

DESCRIPTION

FIG. 1 is a front perspective view of an ornamental design for a cellphone holder showing my new design;
FIG. 2 is a front view thereof;
FIG. 3 is a rear view thereof;
FIG. 4 is a right side view thereof;
FIG. 5 is a left side view thereof;
FIG. 6 is a top view thereof;

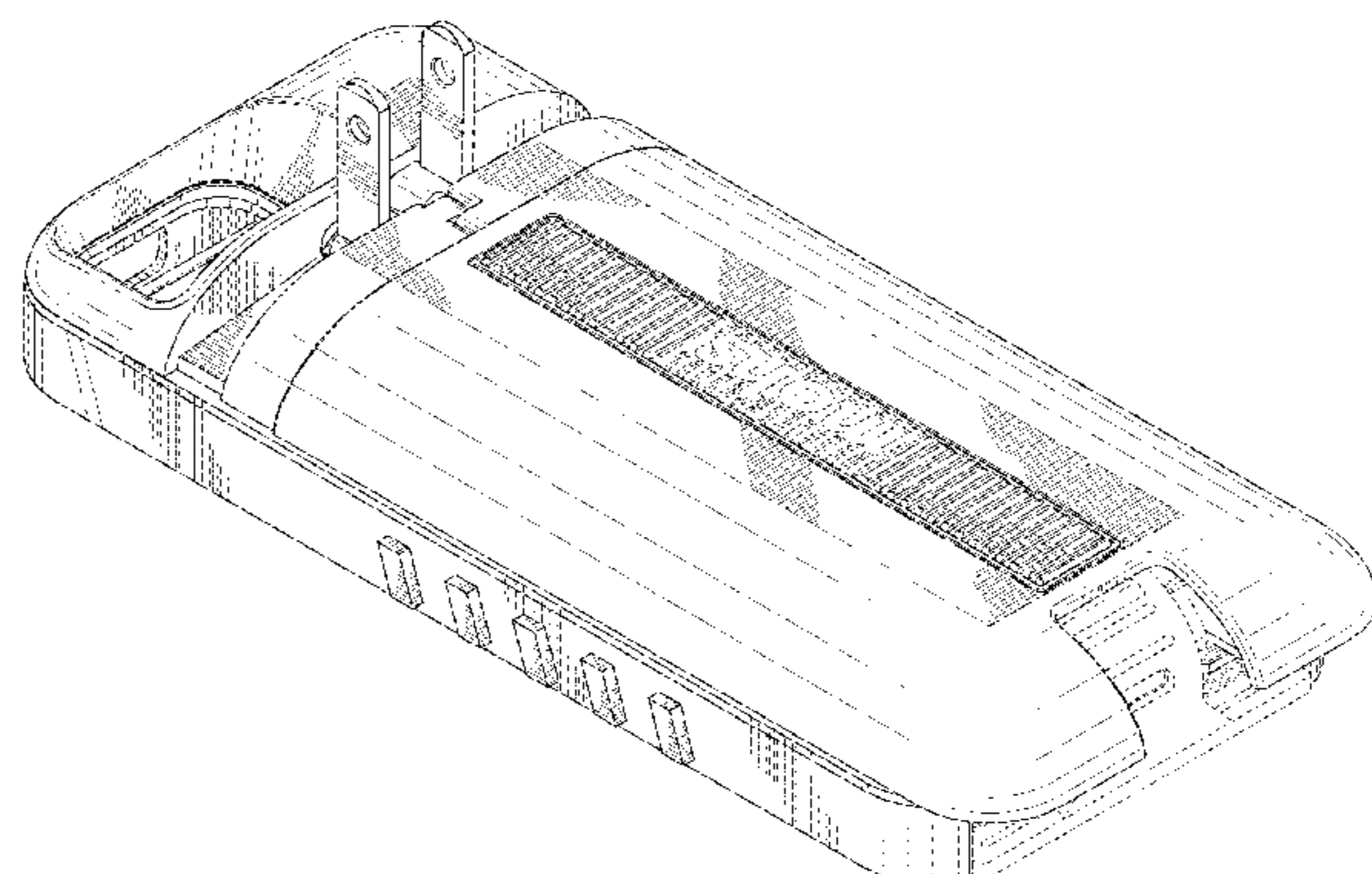
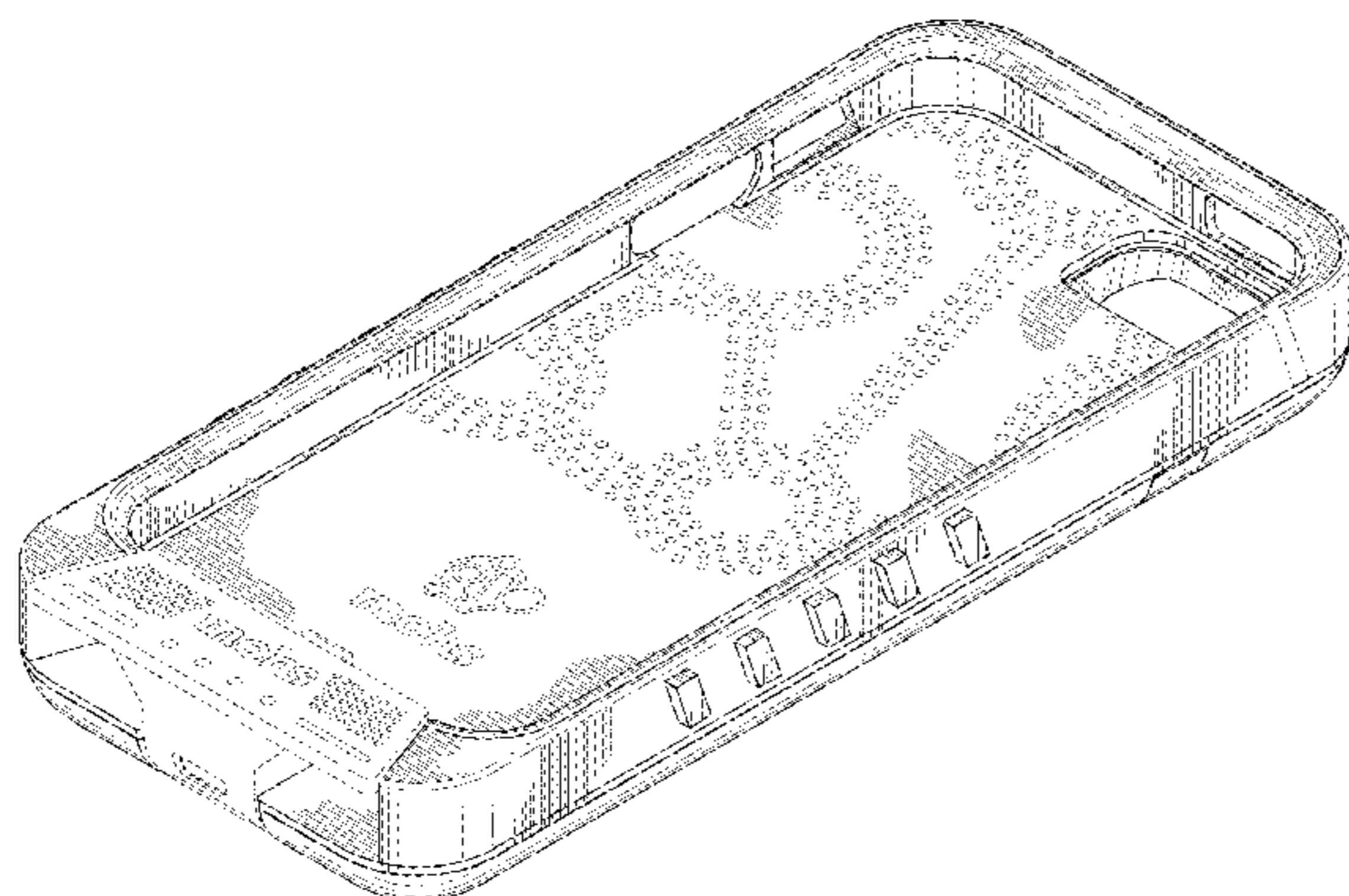


FIG. 7 is a bottom view thereof;
FIG. 8 is a rear perspective view thereof;
FIG. 9 is a front perspective view of the ornamental design for a cellphone holder showing my new design, in which a rear cover is shown in an alternate position with prongs extended;
FIG. 10 is a front view thereof;
FIG. 11 is a rear view thereof;
FIG. 12 is a right side view thereof;
FIG. 13 is a left side view thereof;
FIG. 14 is a top view thereof;
FIG. 15 is a bottom view thereof;
FIG. 16 is a rear perspective view thereof;
FIG. 17 is a front perspective view of the ornamental design for a cellphone holder showing my new design, in which a bottom adapter is shown in an alternate position;
FIG. 18 is a front view thereof;
FIG. 19 is a rear view thereof;
FIG. 20 is a right side view thereof;
FIG. 21 is a left side view thereof;
FIG. 22 is a top view thereof;
FIG. 23 is a bottom view thereof;
FIG. 24 is a rear perspective view thereof;
FIG. 25 is a front perspective view of the ornamental design for a cellphone holder showing my new design, in which the bottom adapter is shown in another alternate position;

FIG. 26 is a front view thereof;
FIG. 27 is a rear view thereof;
FIG. 28 is a right side view thereof;
FIG. 29 is a left side view thereof;
FIG. 30 is a top view thereof;
FIG. 31 is a bottom view thereof;
FIG. 32 is a rear perspective view thereof;
FIG. 33 is a front perspective view of the ornamental design for a cellphone holder showing my new design, in which prong covers are shown in an alternate position;
FIG. 34 is a front view thereof;
FIG. 35 is a rear view thereof;
FIG. 36 is a right side view thereof;
FIG. 37 is a left side view thereof;
FIG. 38 is a top view thereof;
FIG. 39 is a bottom view thereof; and,
FIG. 40 is a rear perspective view thereof.
The Figures include an illustration of the logo, "mohs," and other written matter, which is shown for illustrative purposes and forms no part of the claimed design. The broken line showing of the Figures is for purposes of illustration and forms no part of the claimed design.

1 Claim, 30 Drawing Sheets

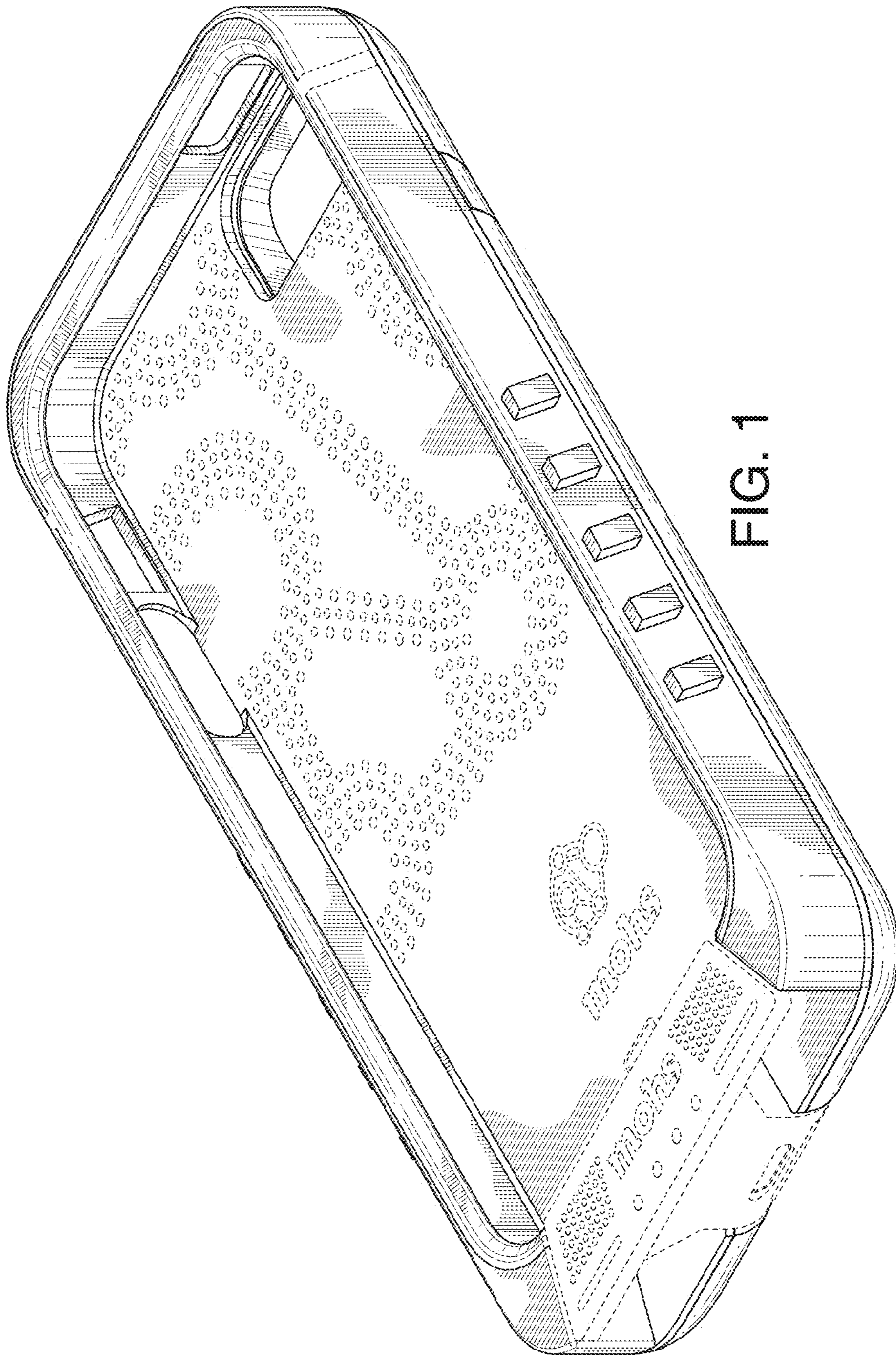


FIG. 1

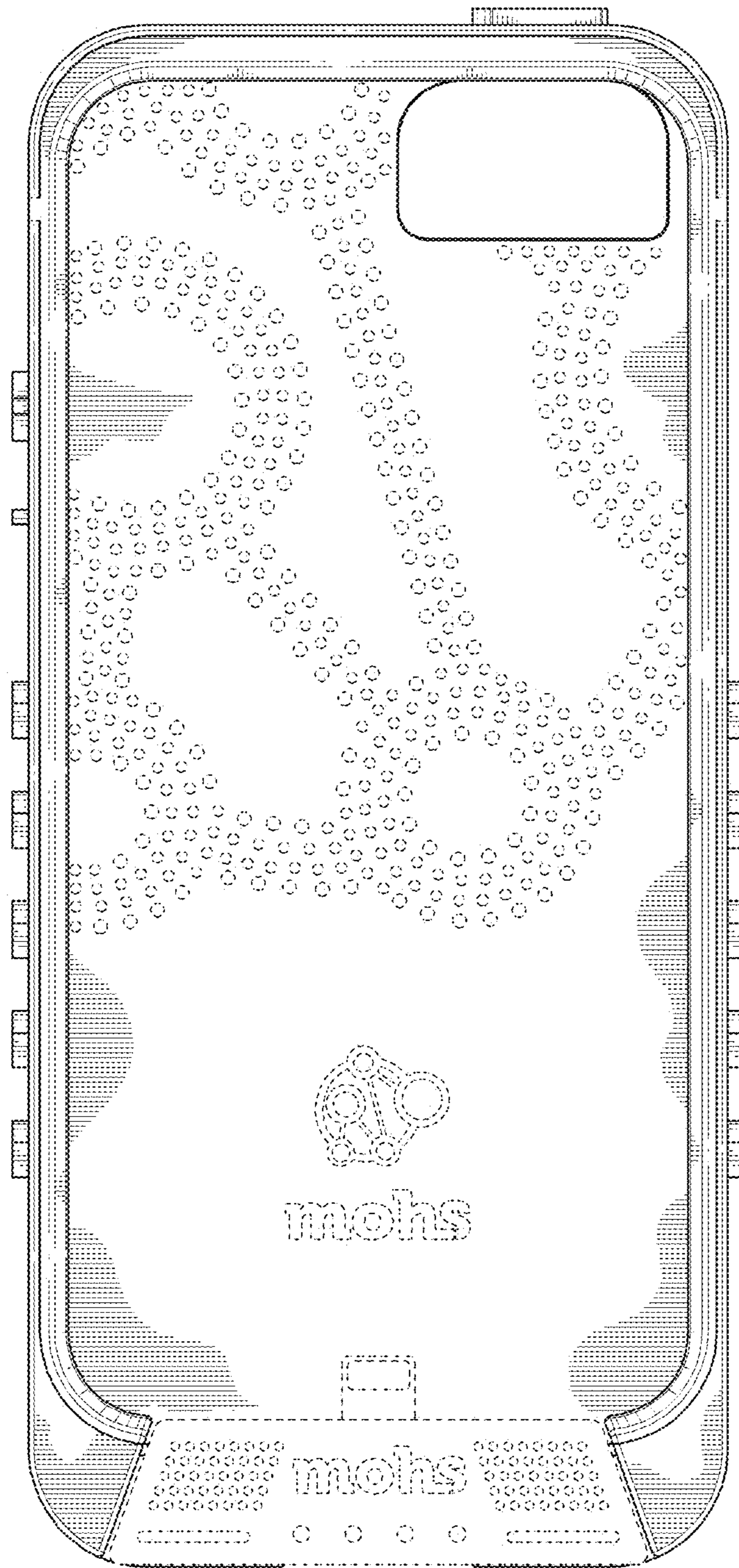


FIG. 2

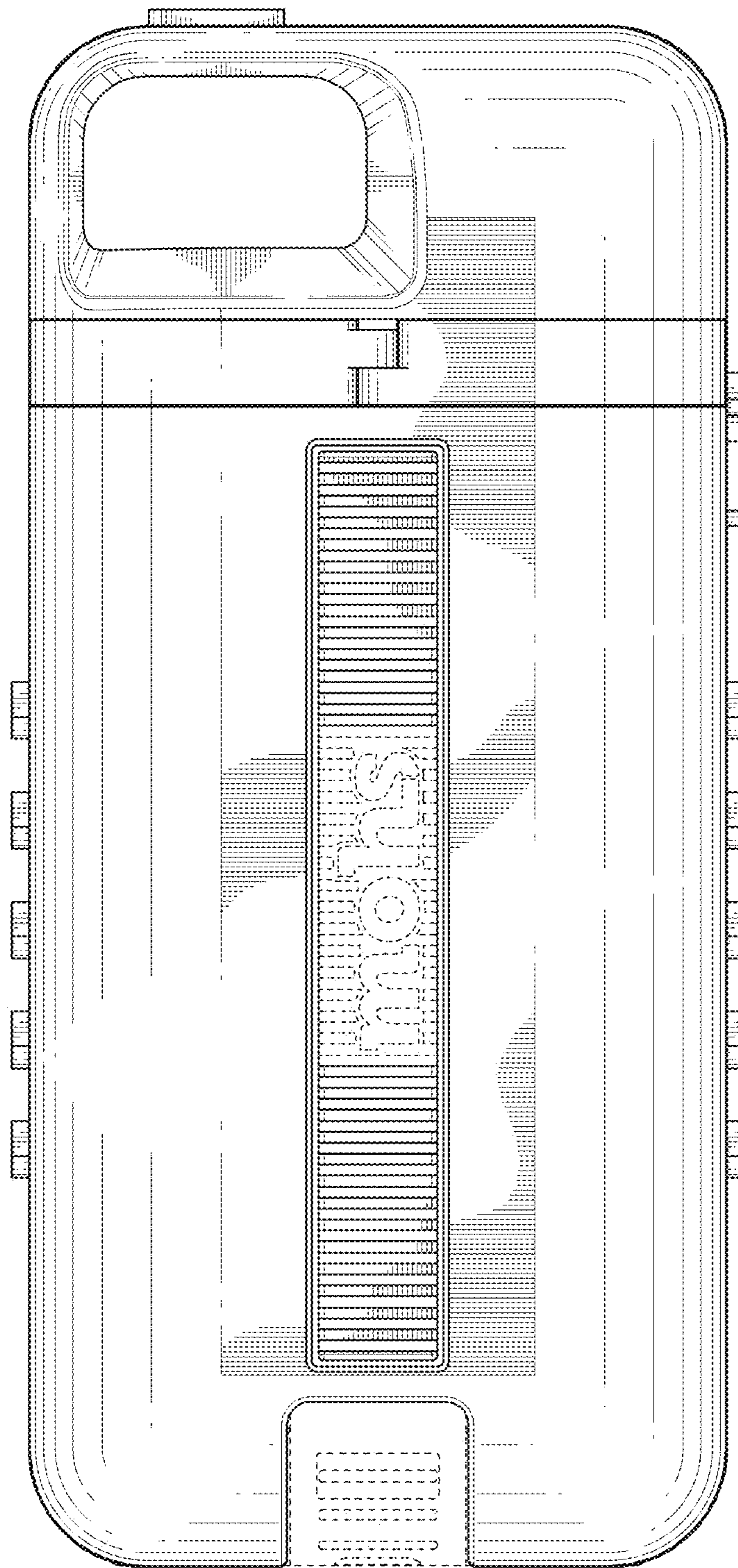


FIG. 3

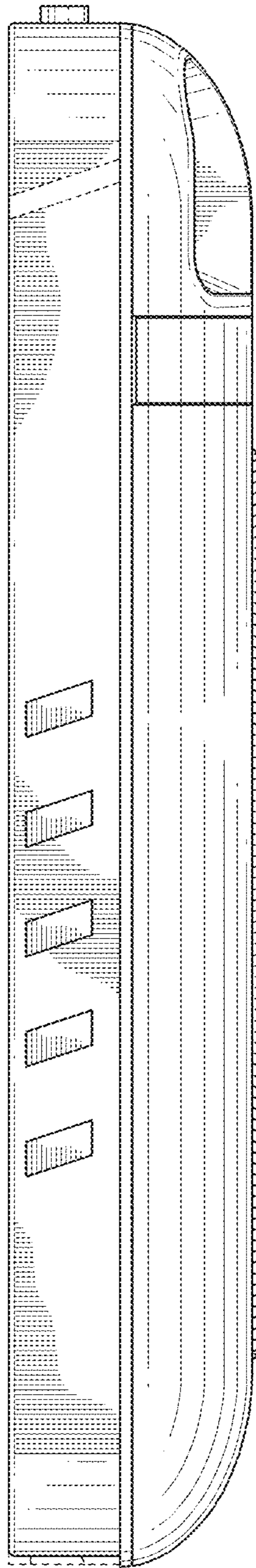


FIG. 4

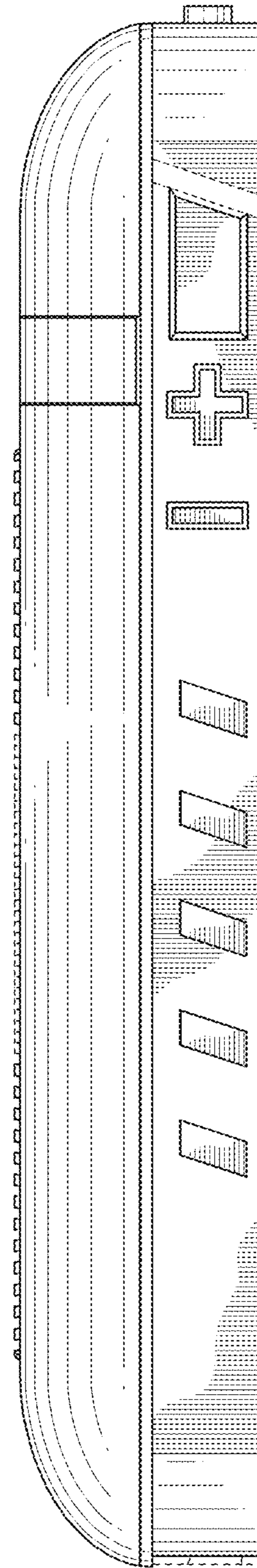


FIG. 5

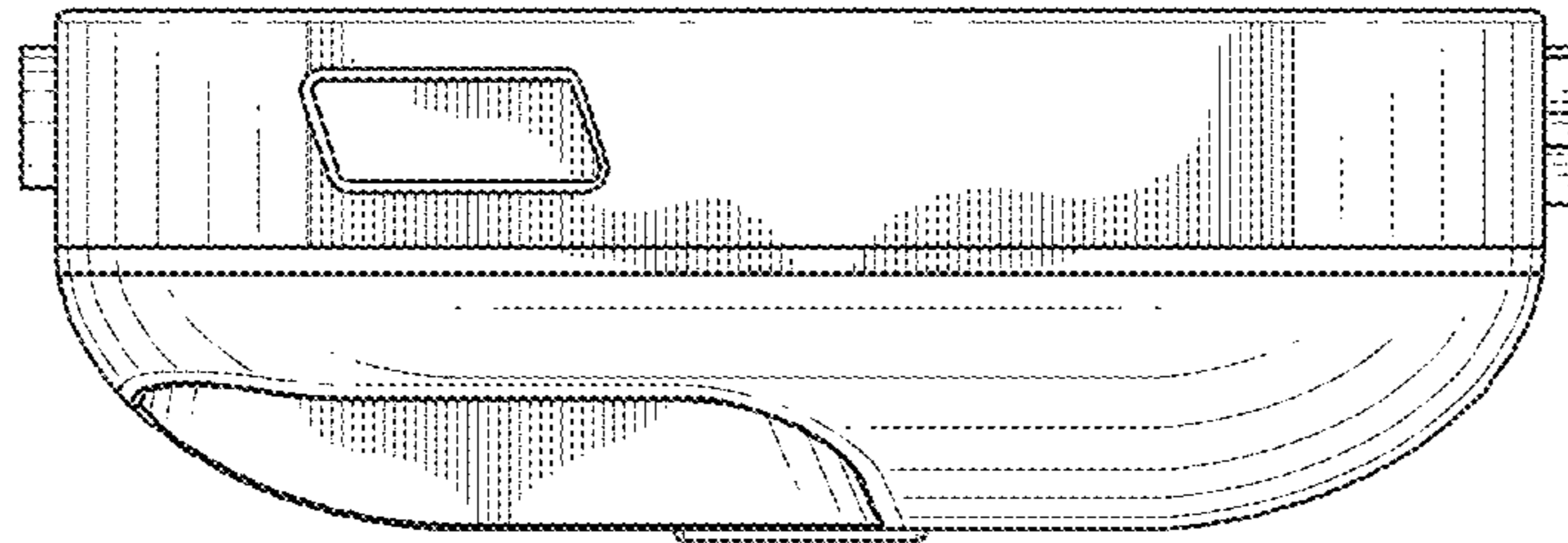


FIG. 6

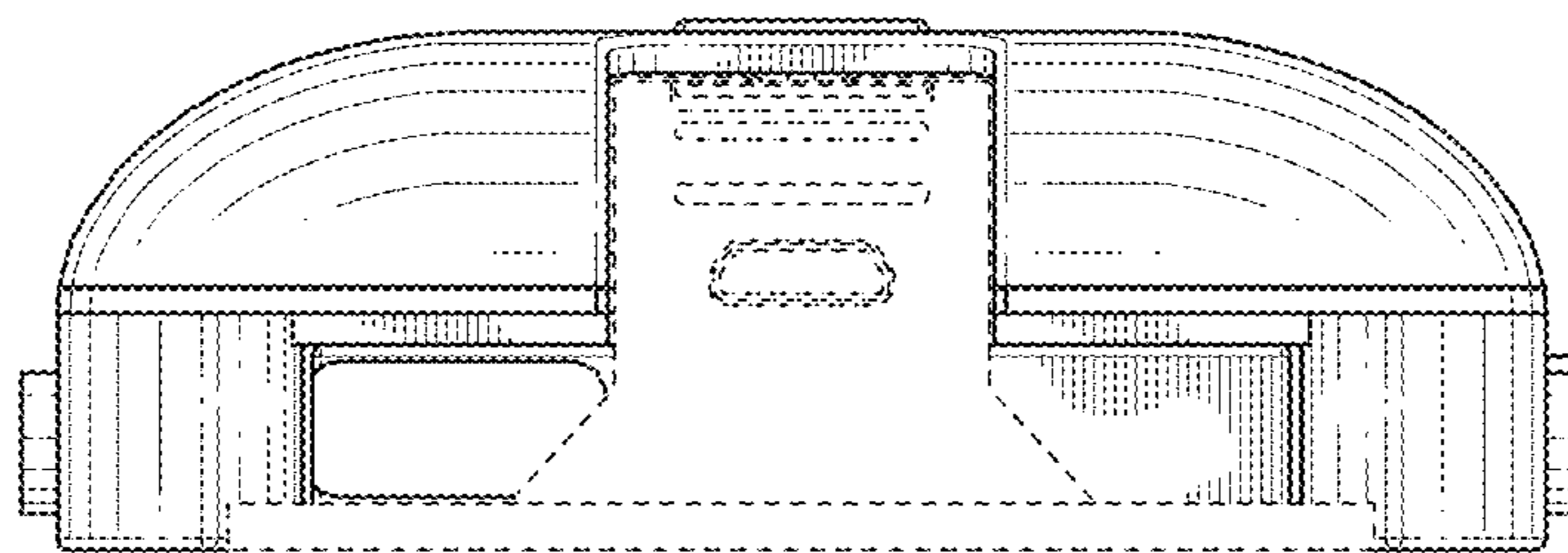


FIG. 7

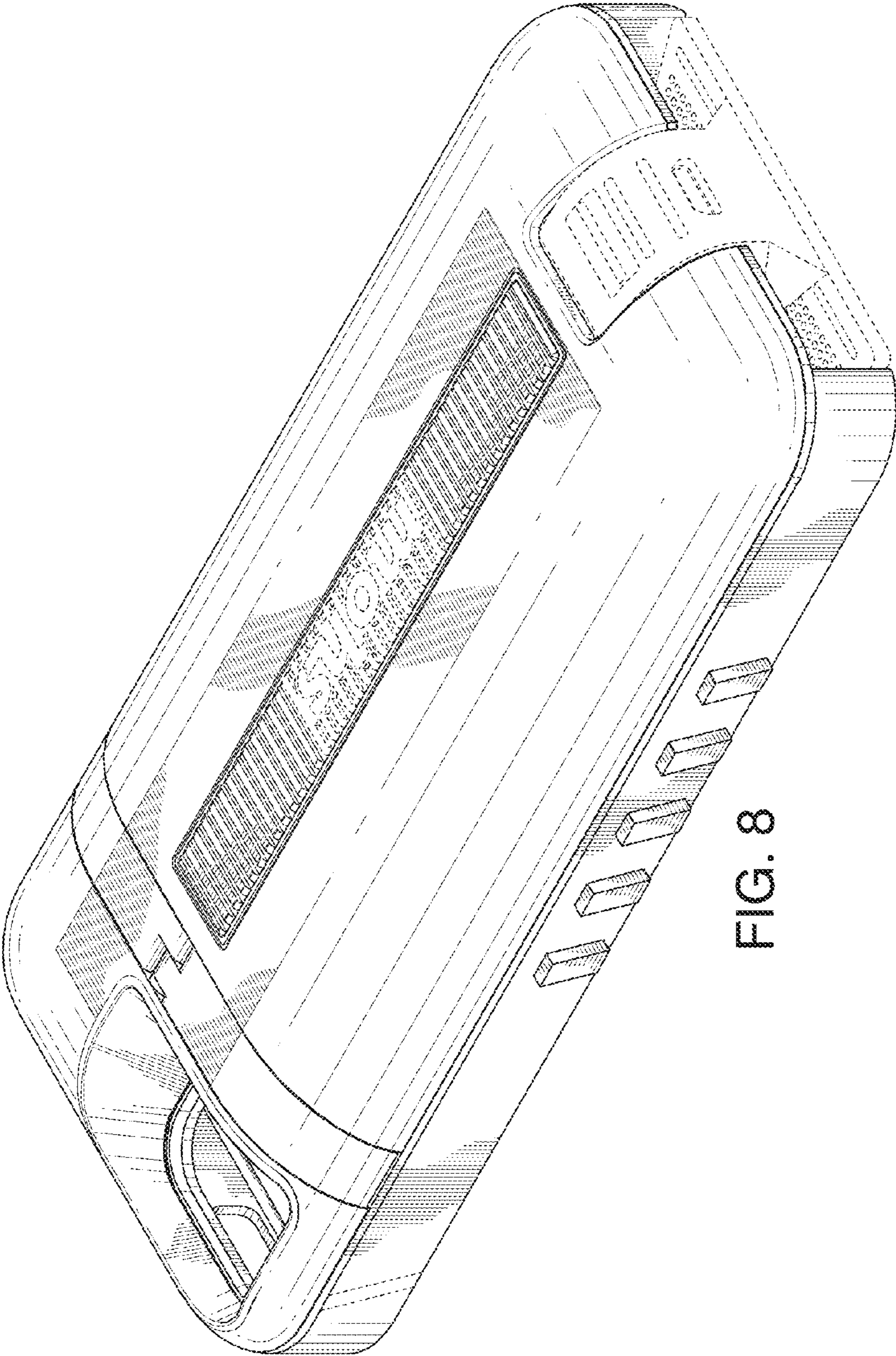


FIG. 8

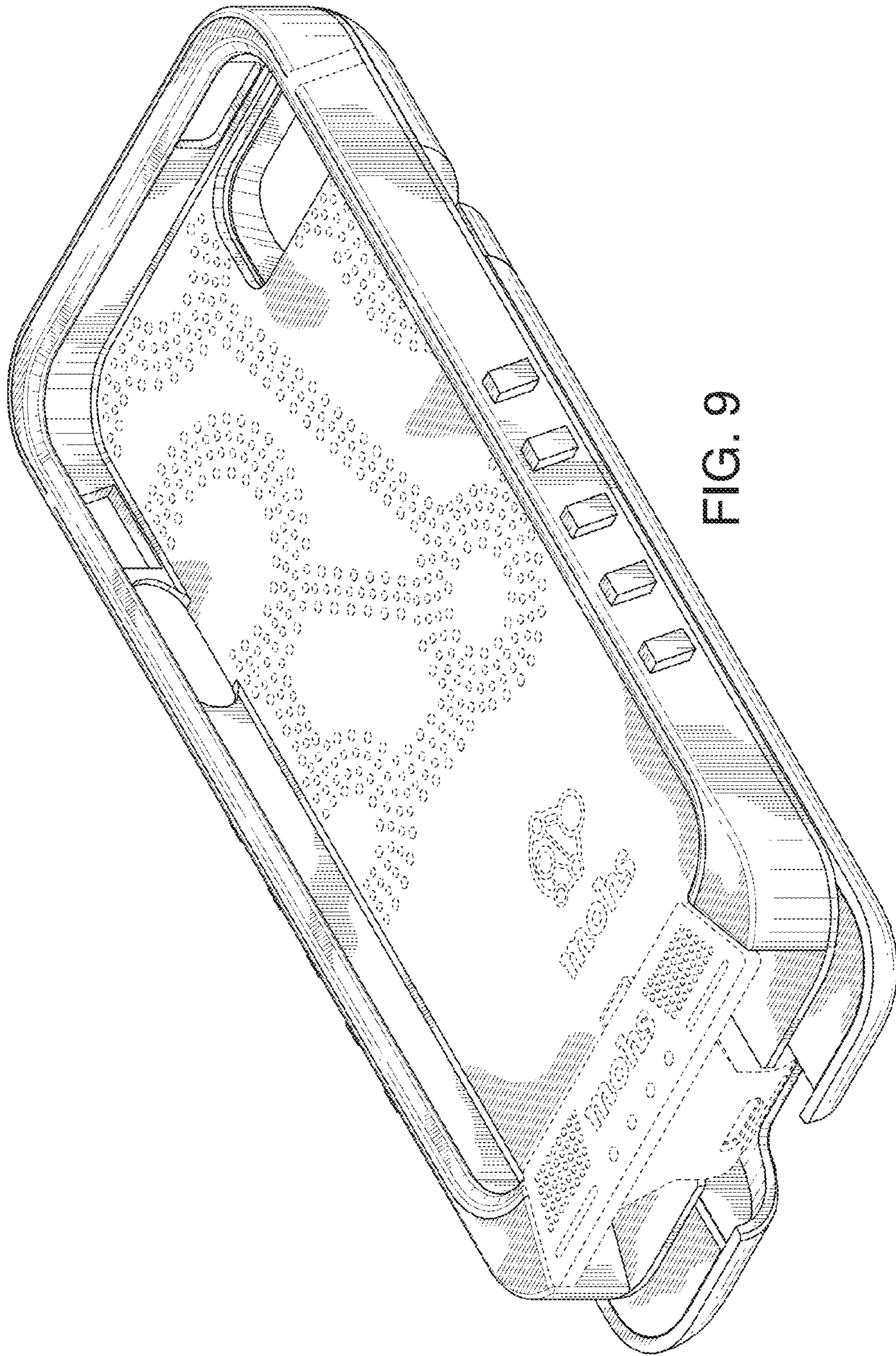


FIG. 9

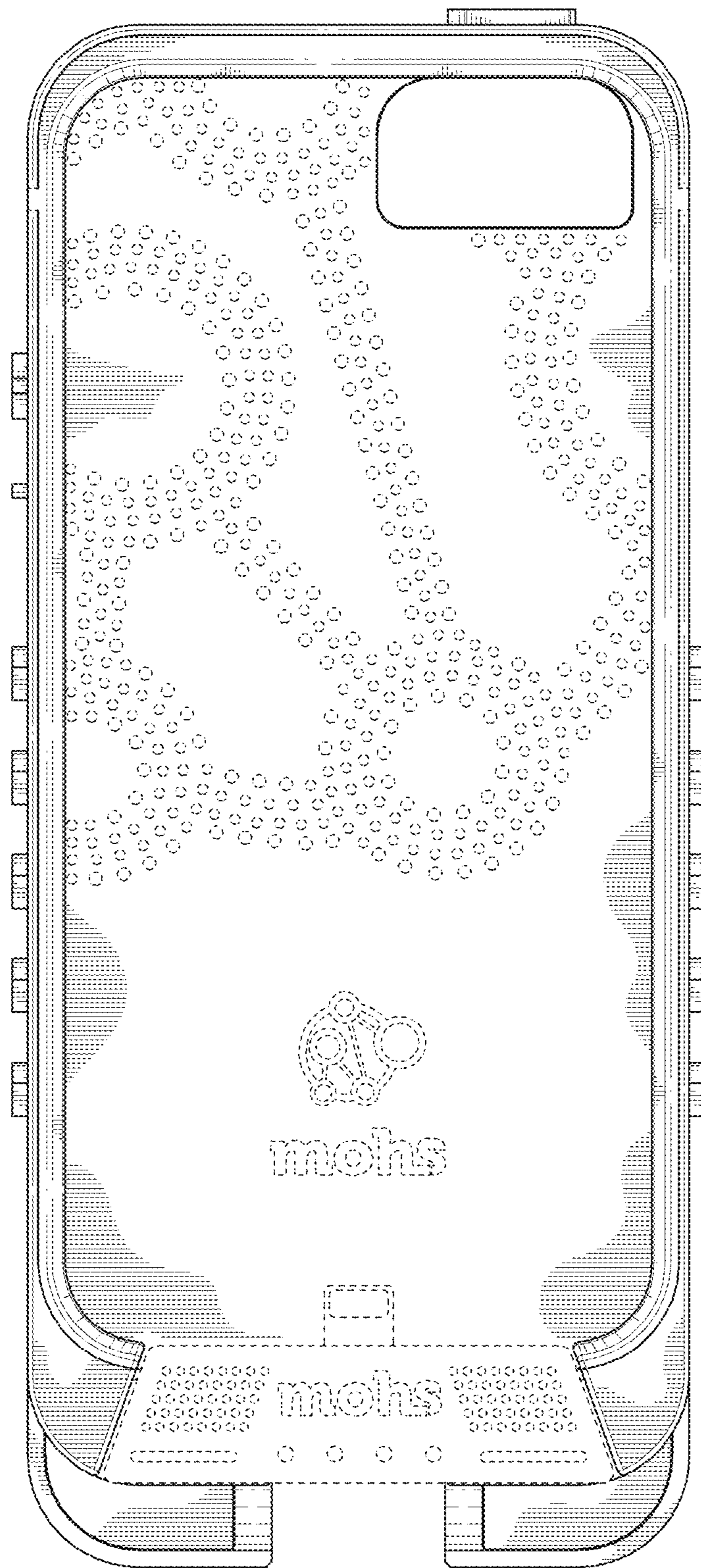


FIG. 10

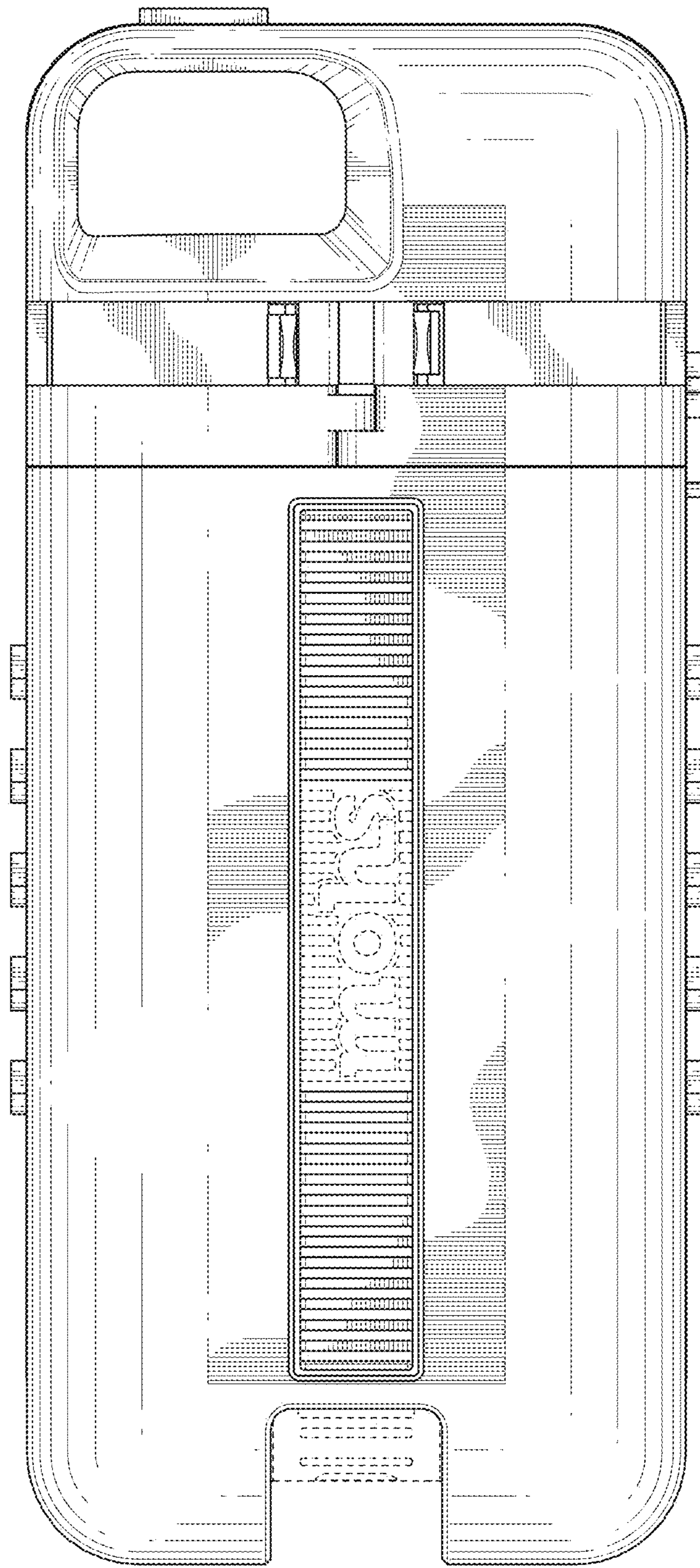


FIG. 11

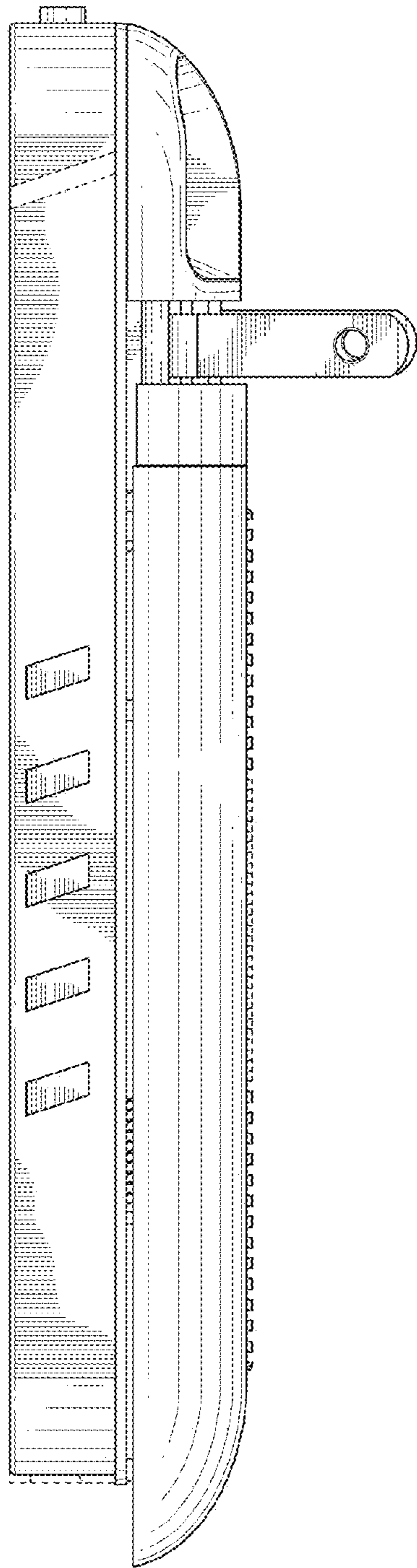


FIG. 12

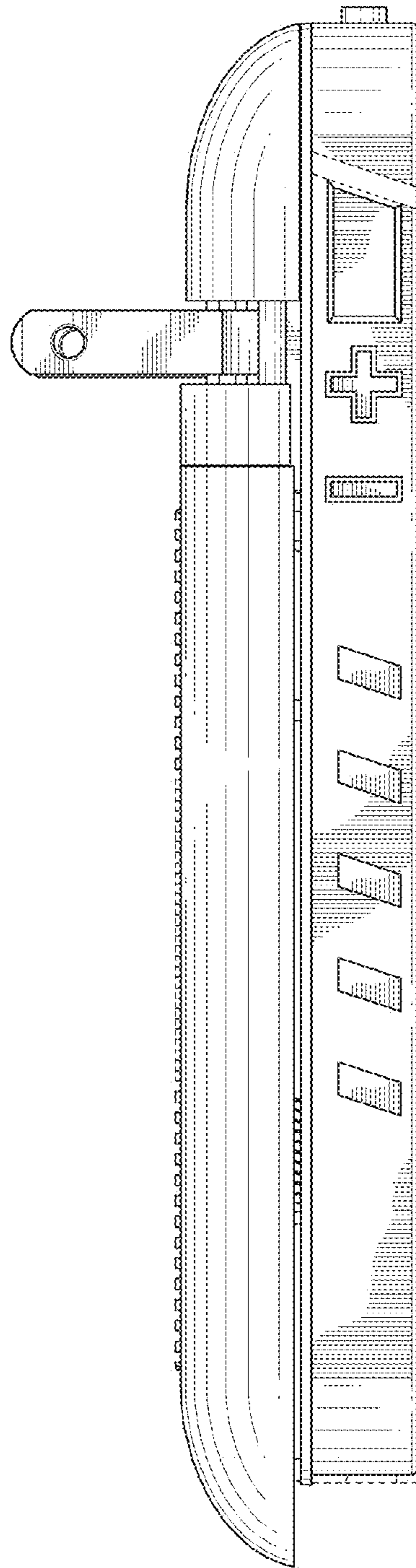


FIG. 13

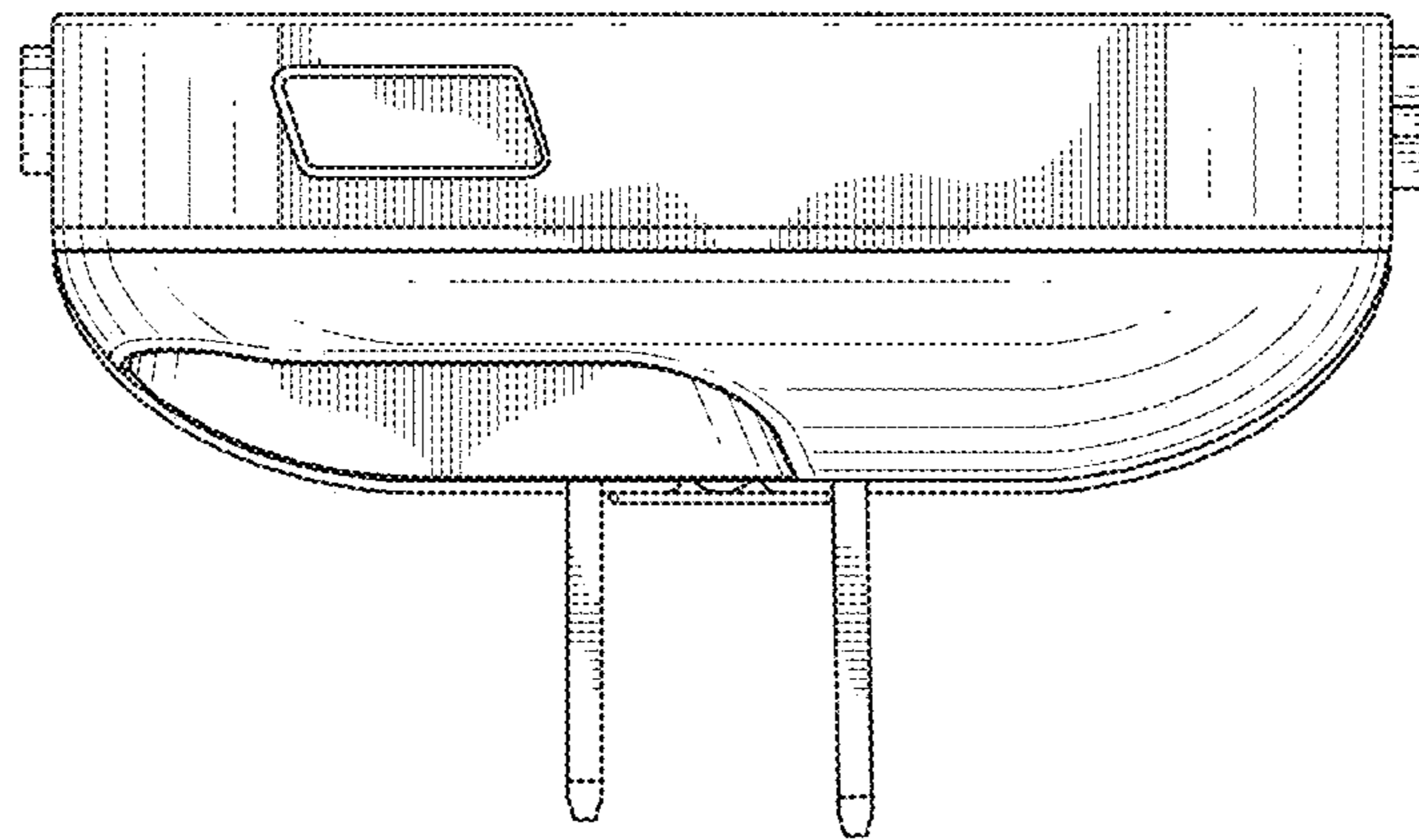


FIG. 14

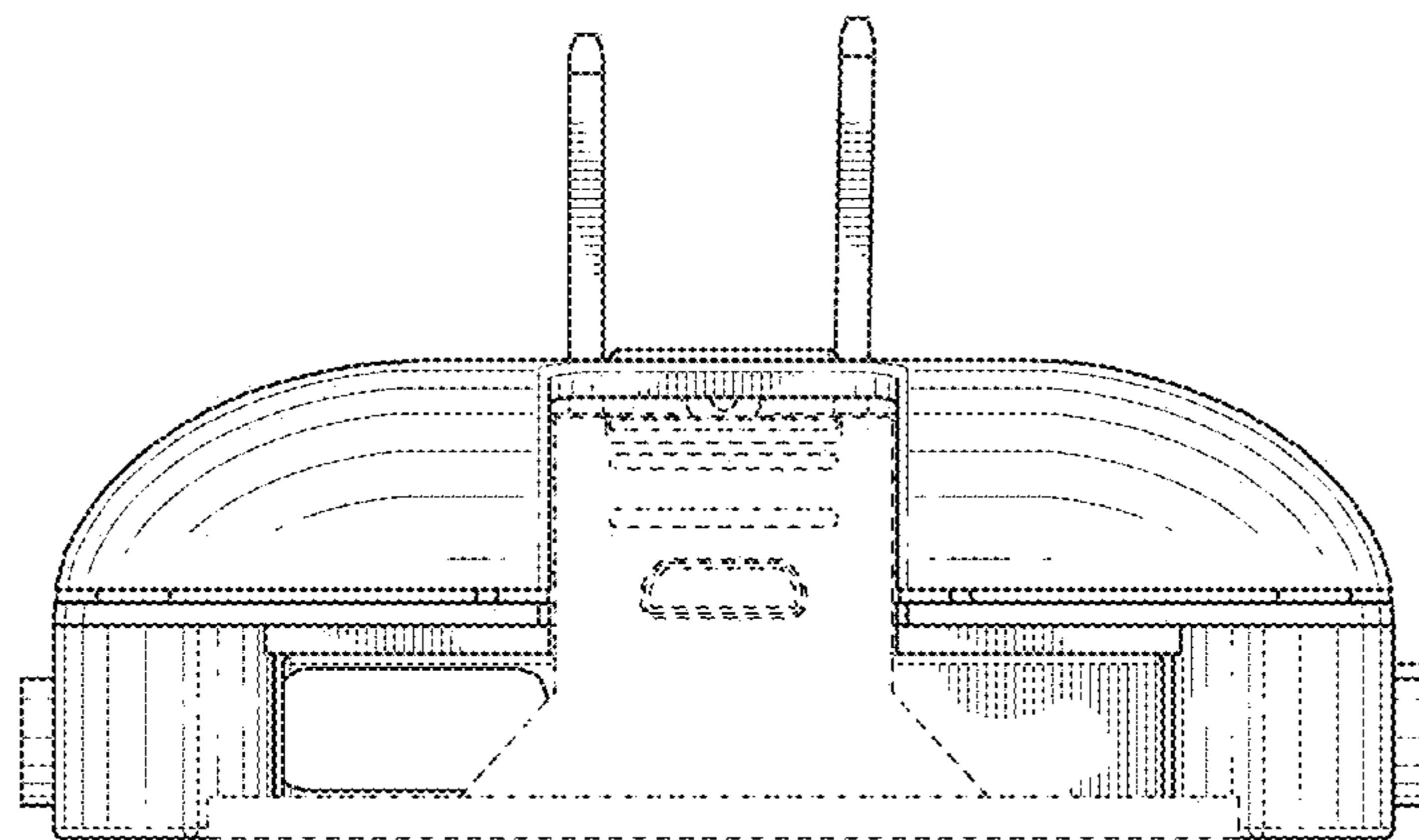


FIG. 15

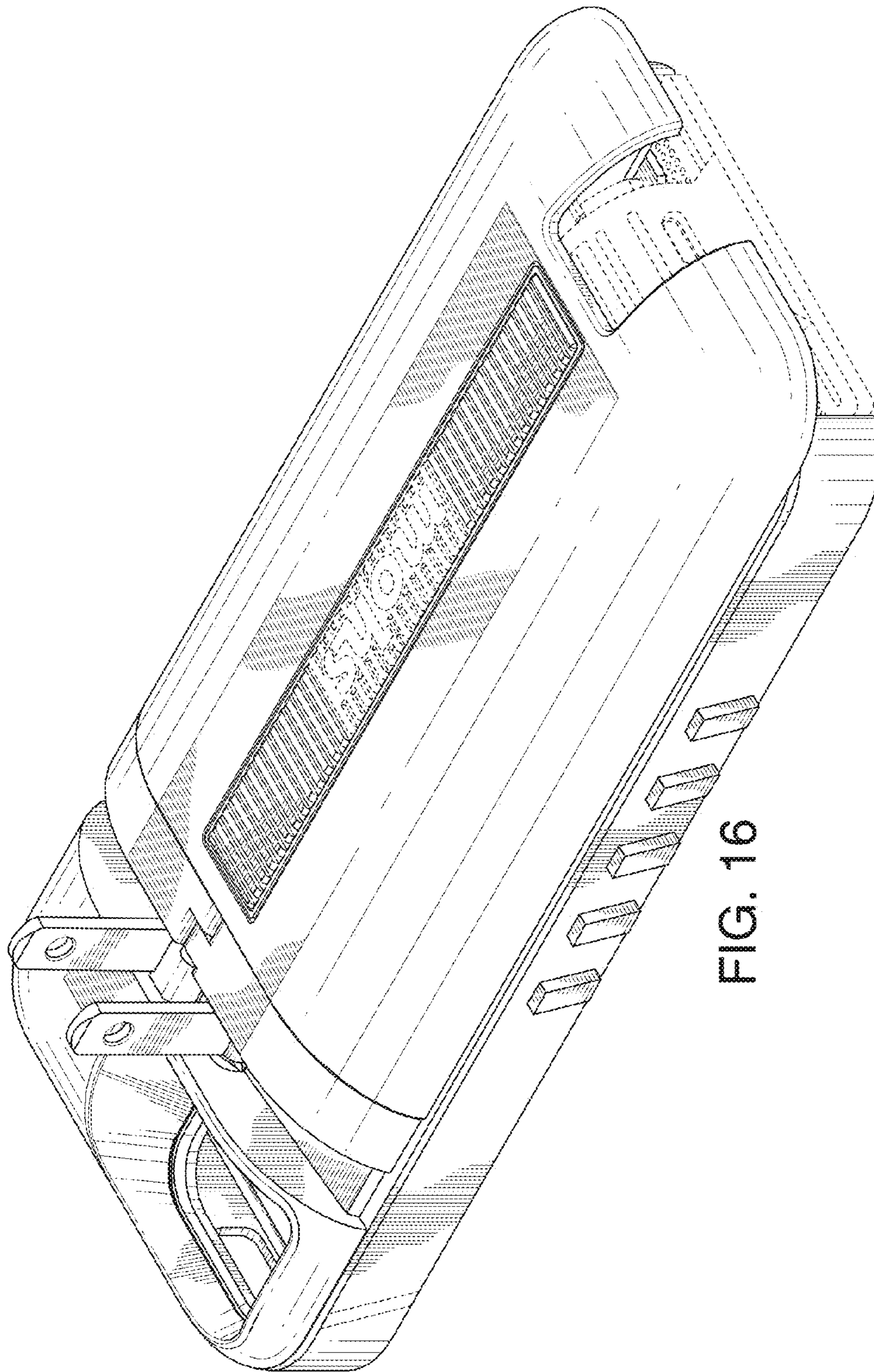


FIG. 16

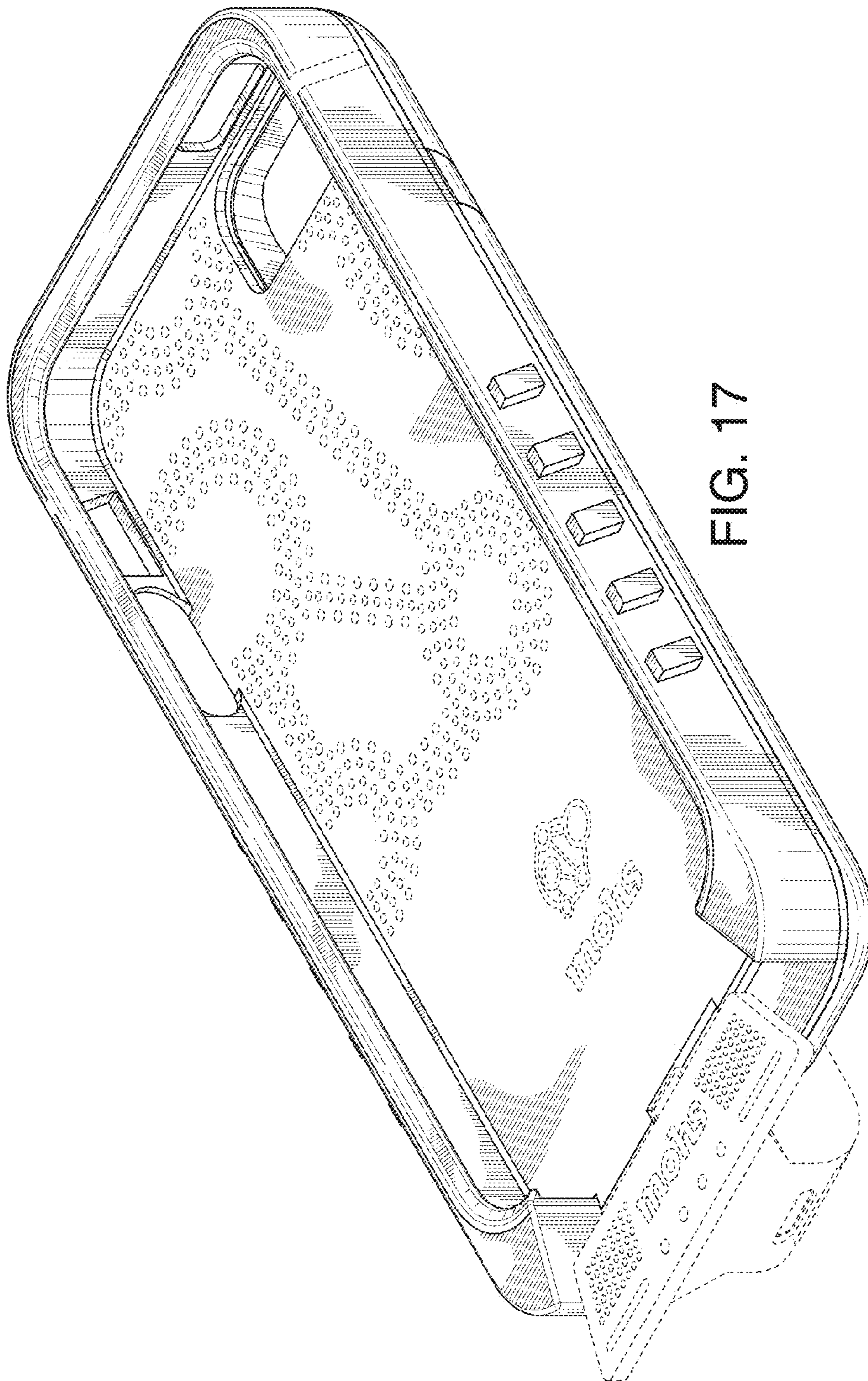


FIG. 17

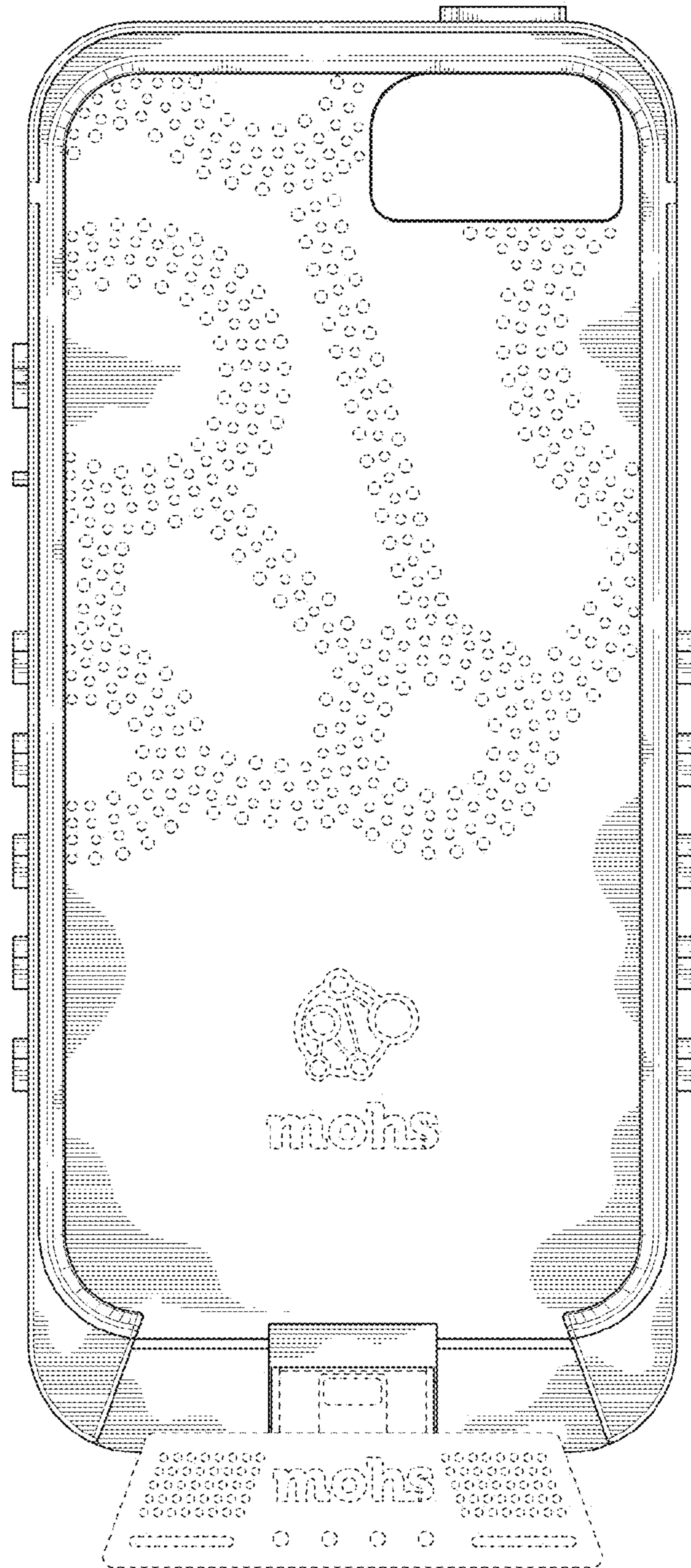


FIG. 18

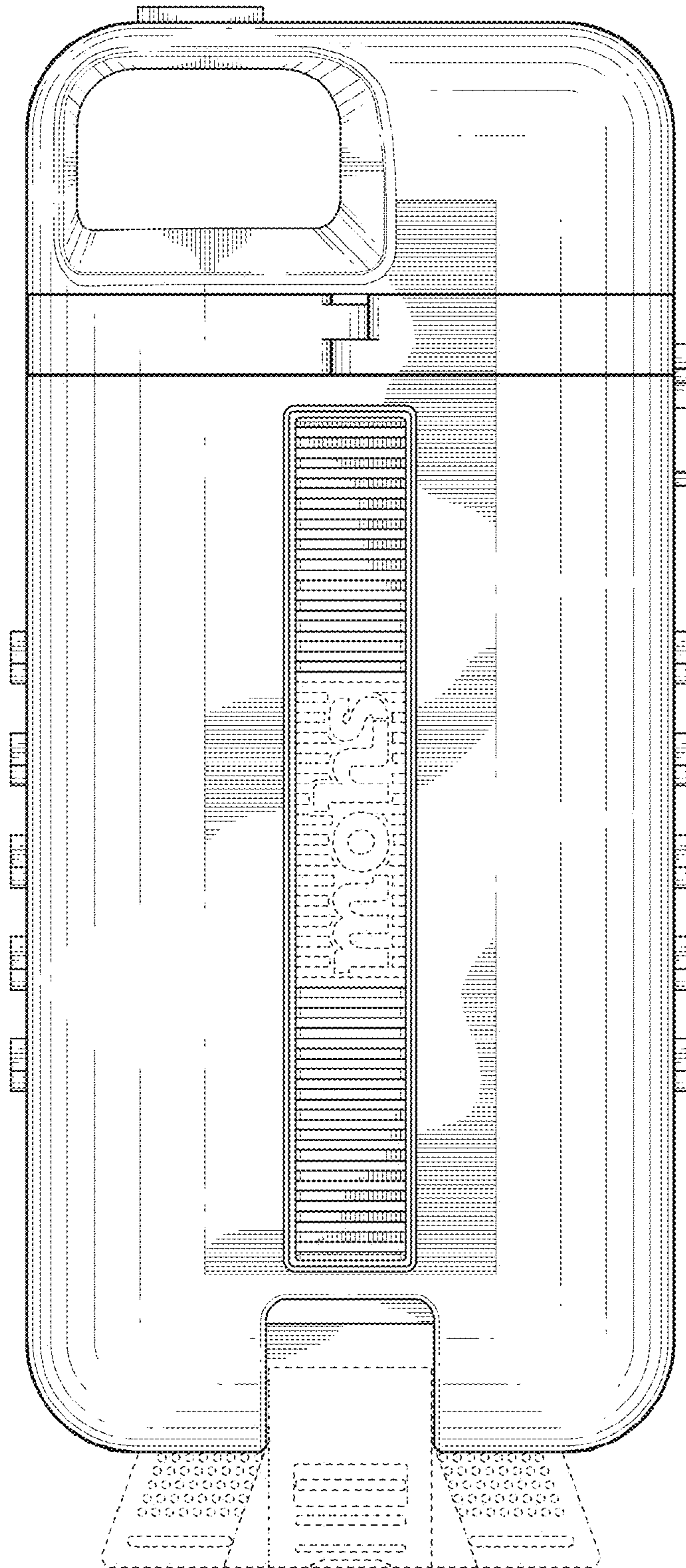


FIG. 19

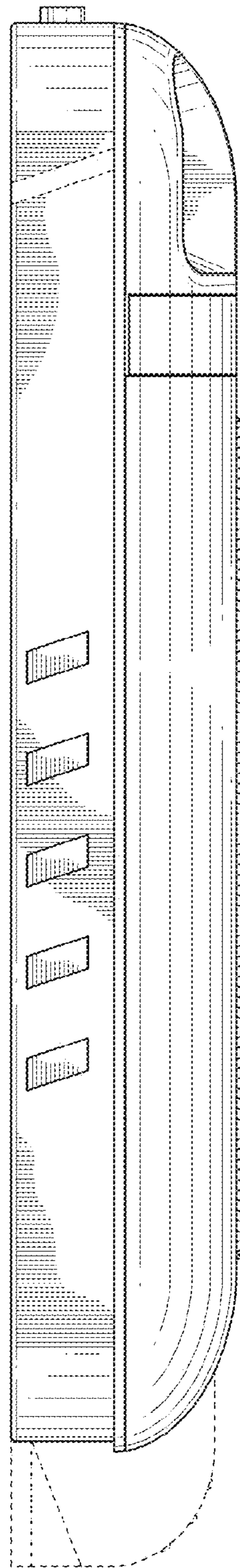


FIG. 20

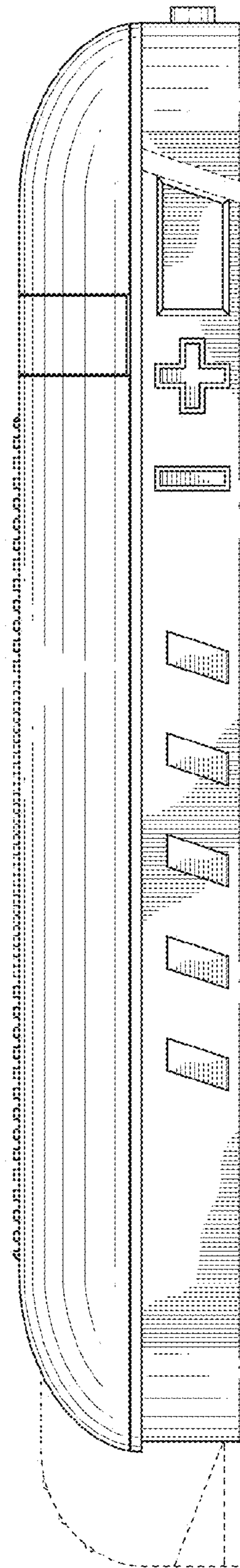


FIG. 21

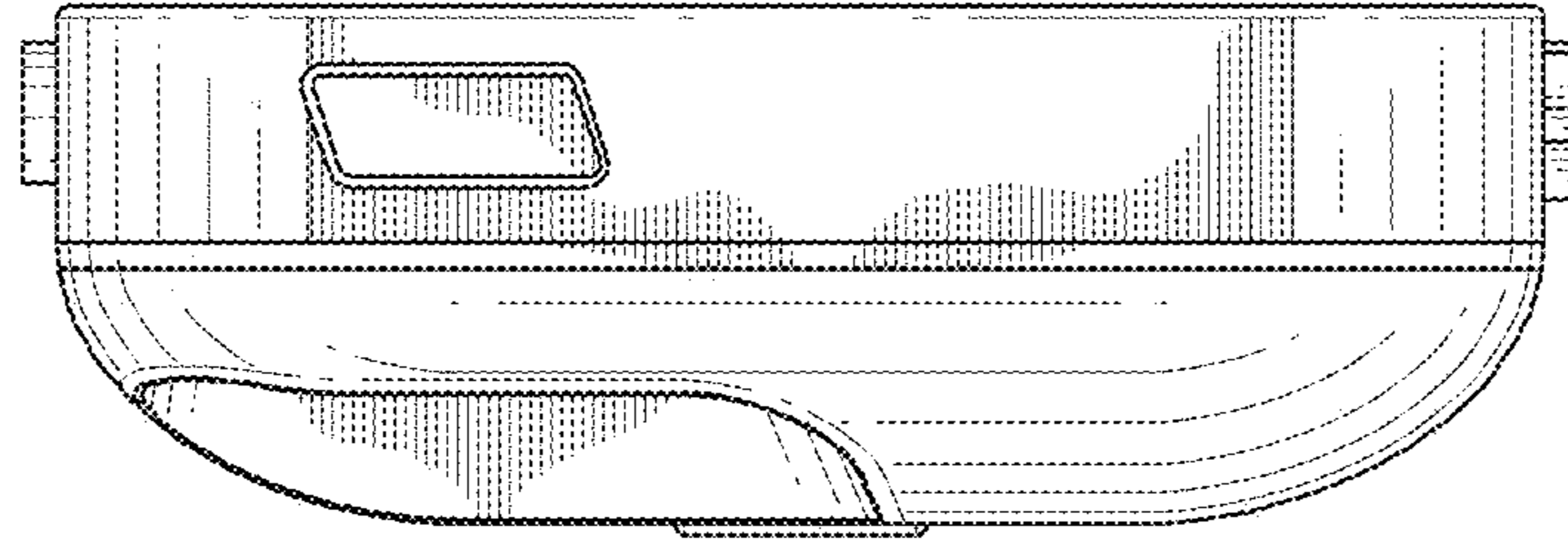


FIG. 22

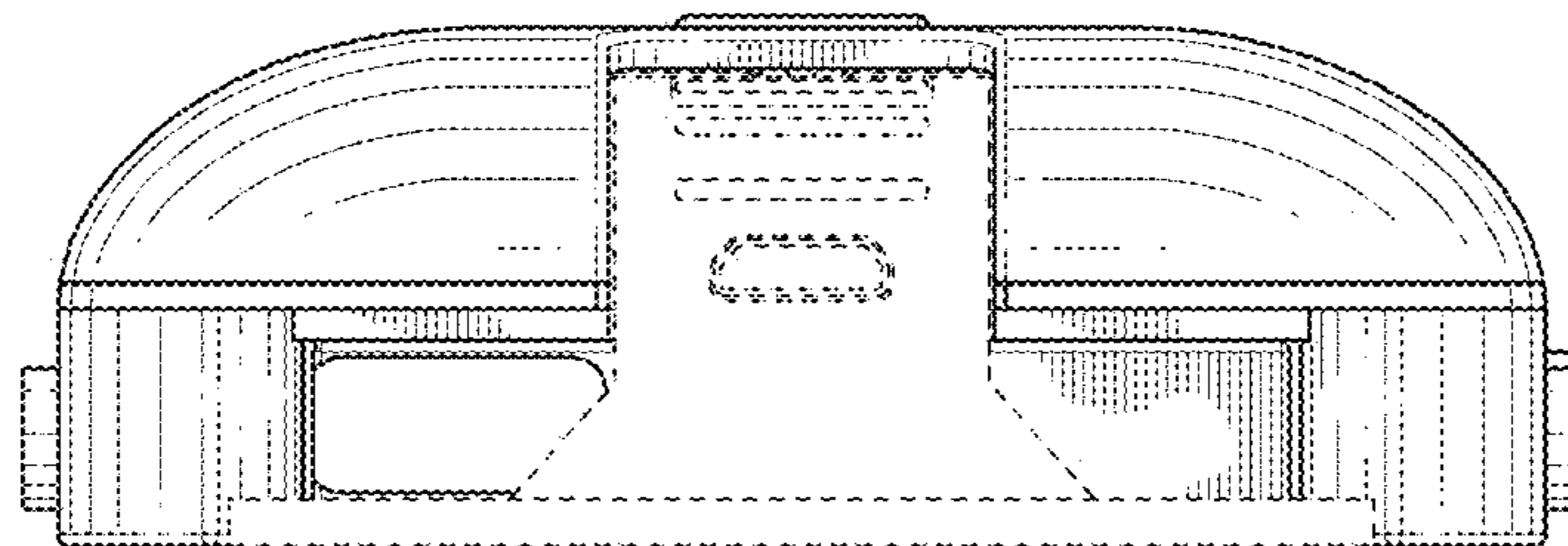


FIG. 23

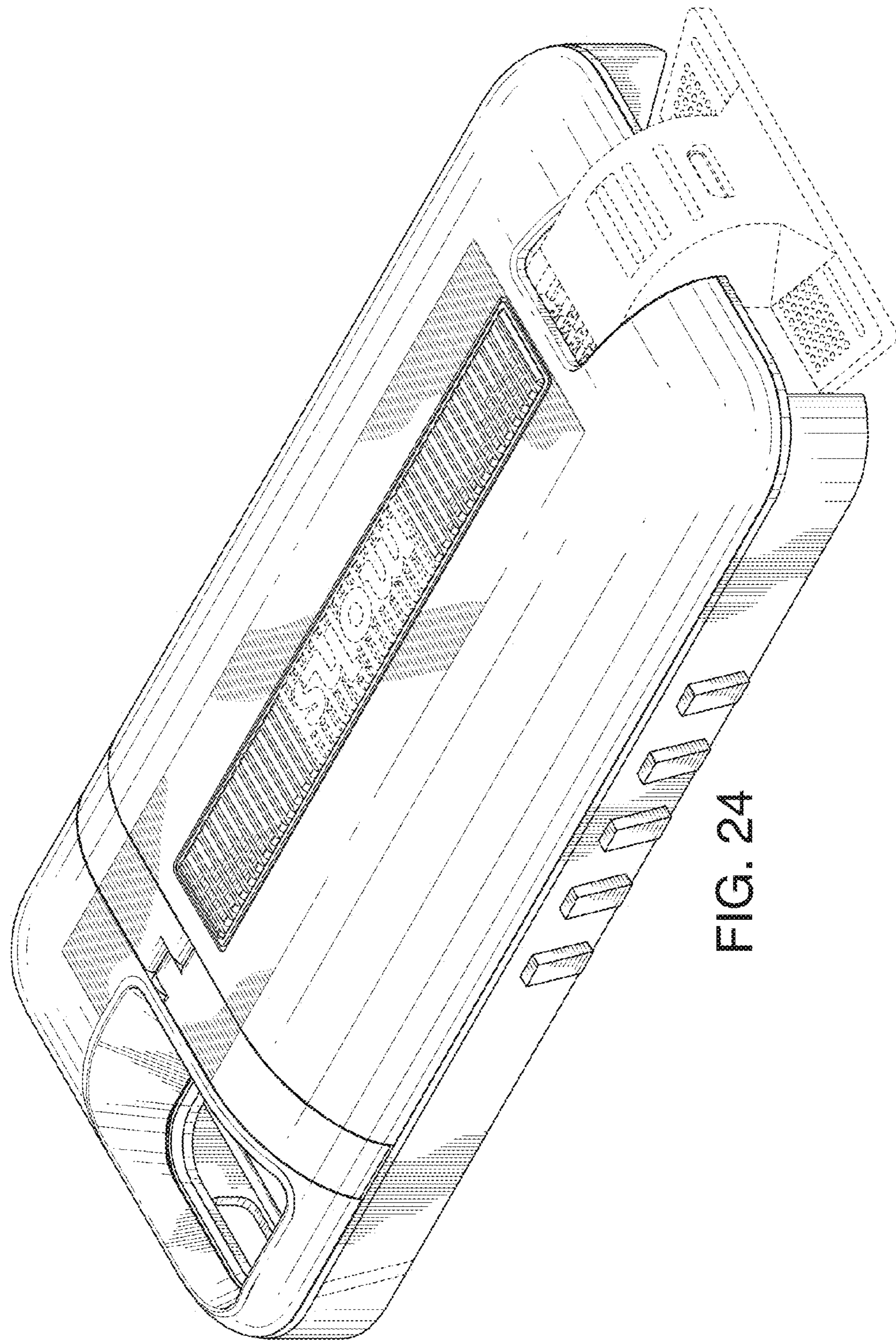


FIG. 24

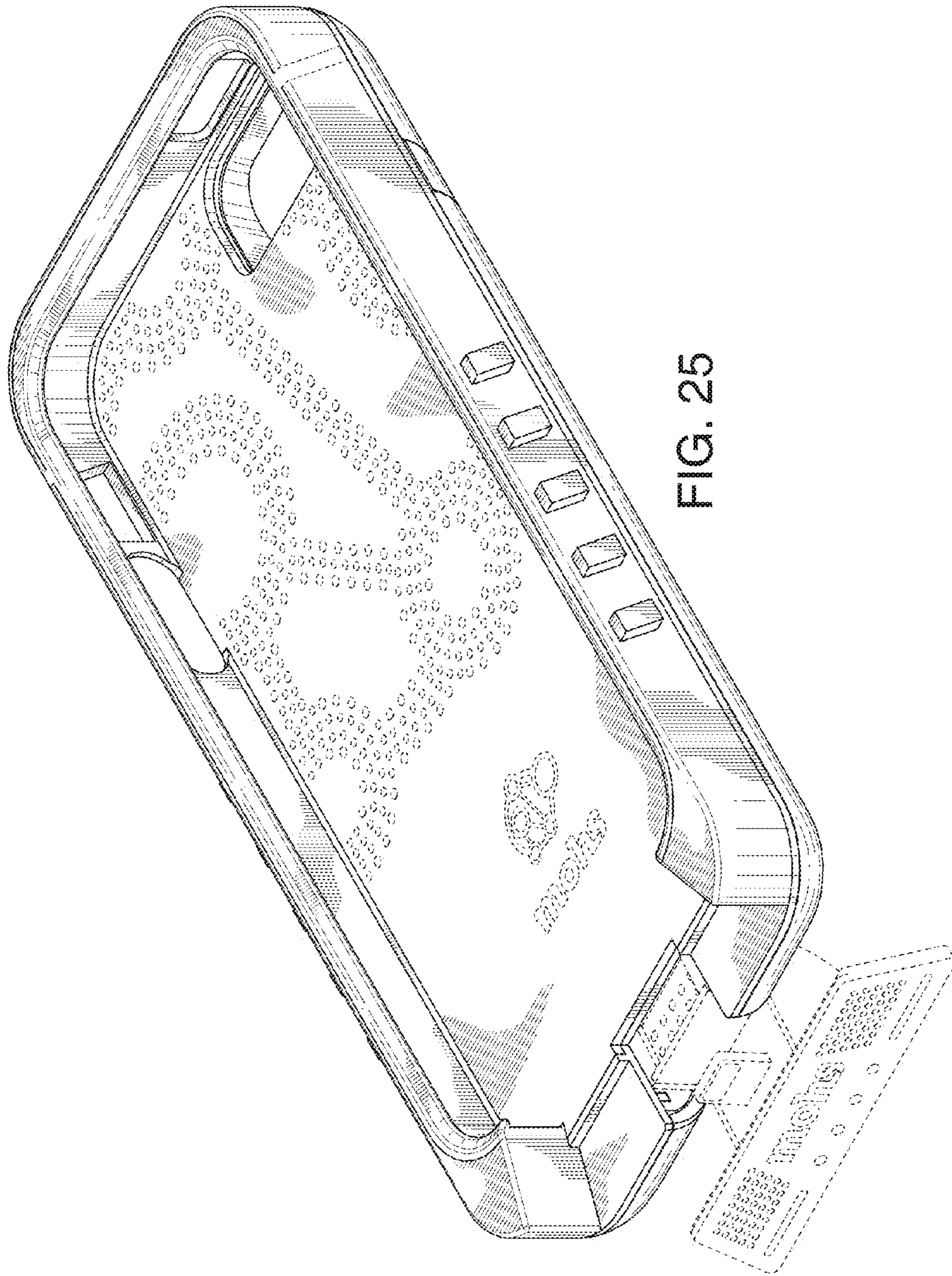


FIG. 25

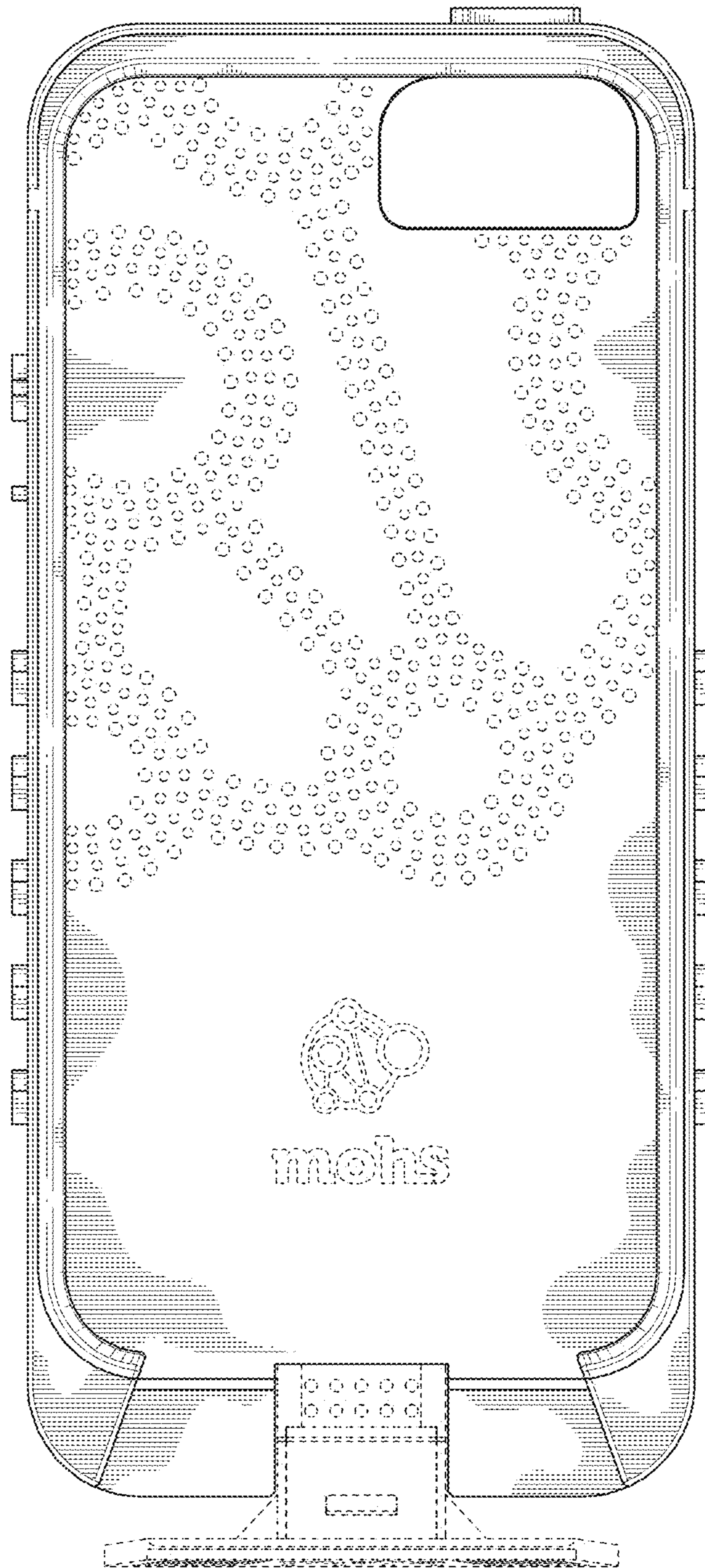


FIG. 26

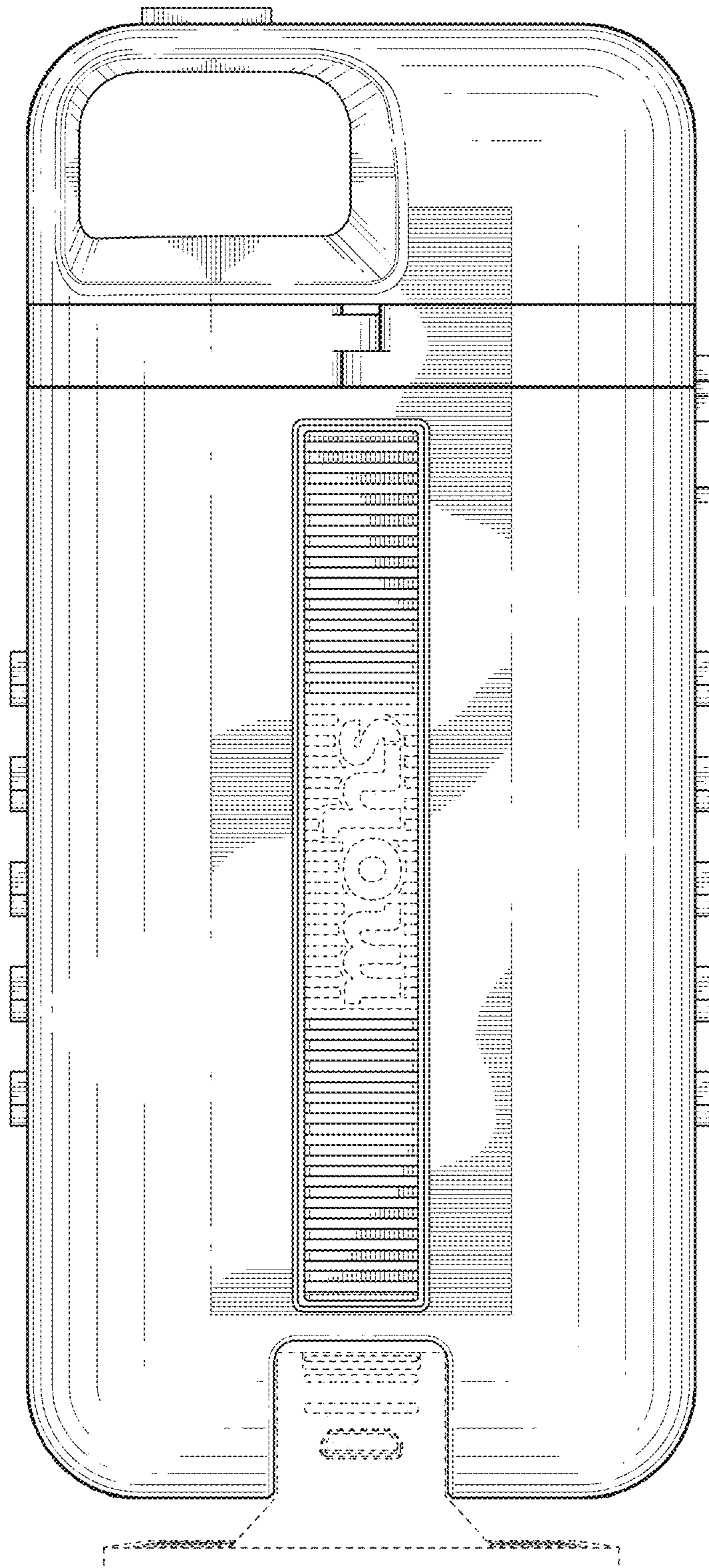


FIG. 27

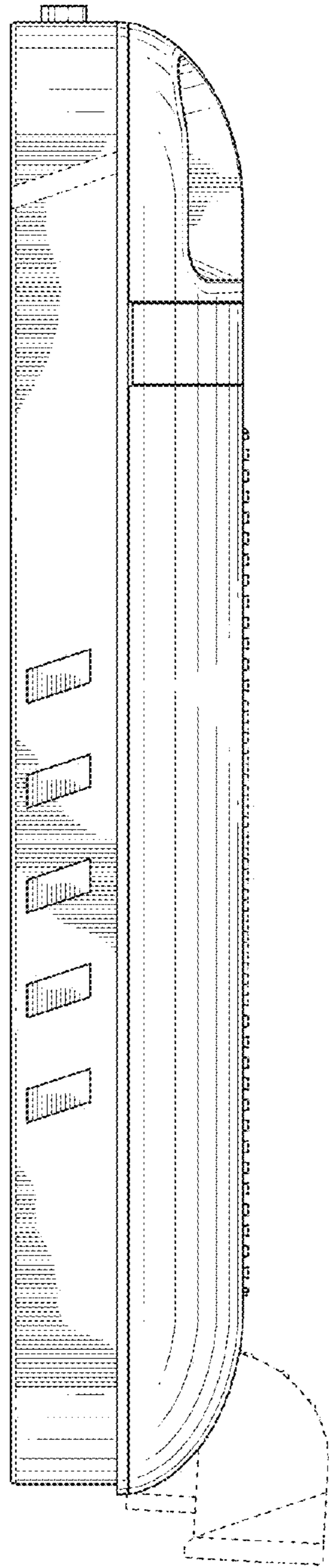


FIG. 28

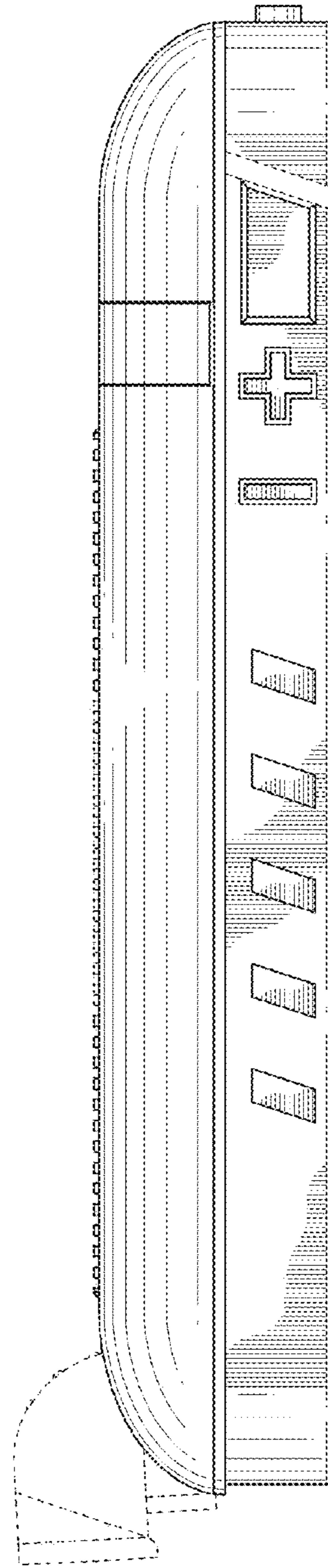


FIG. 29

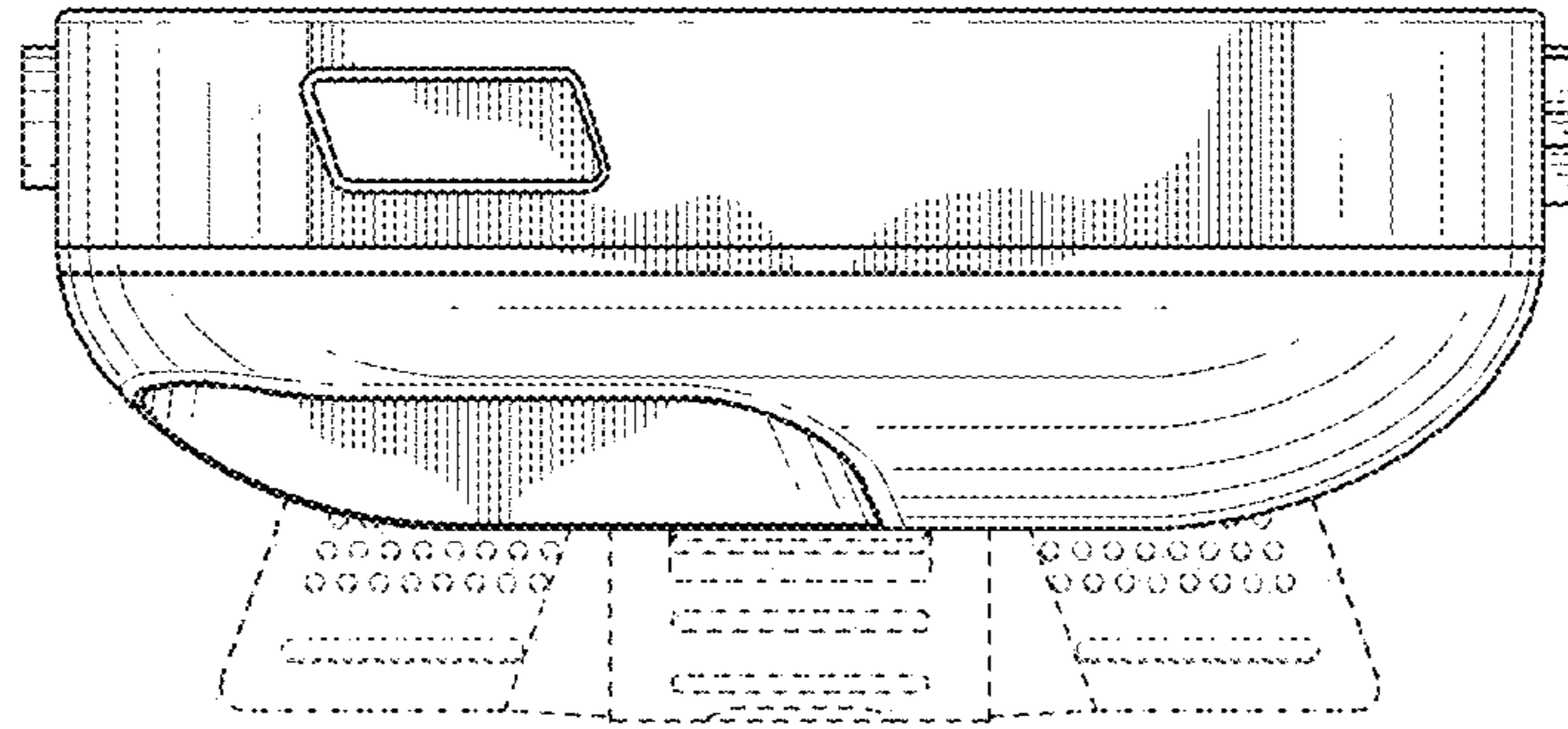


FIG. 30

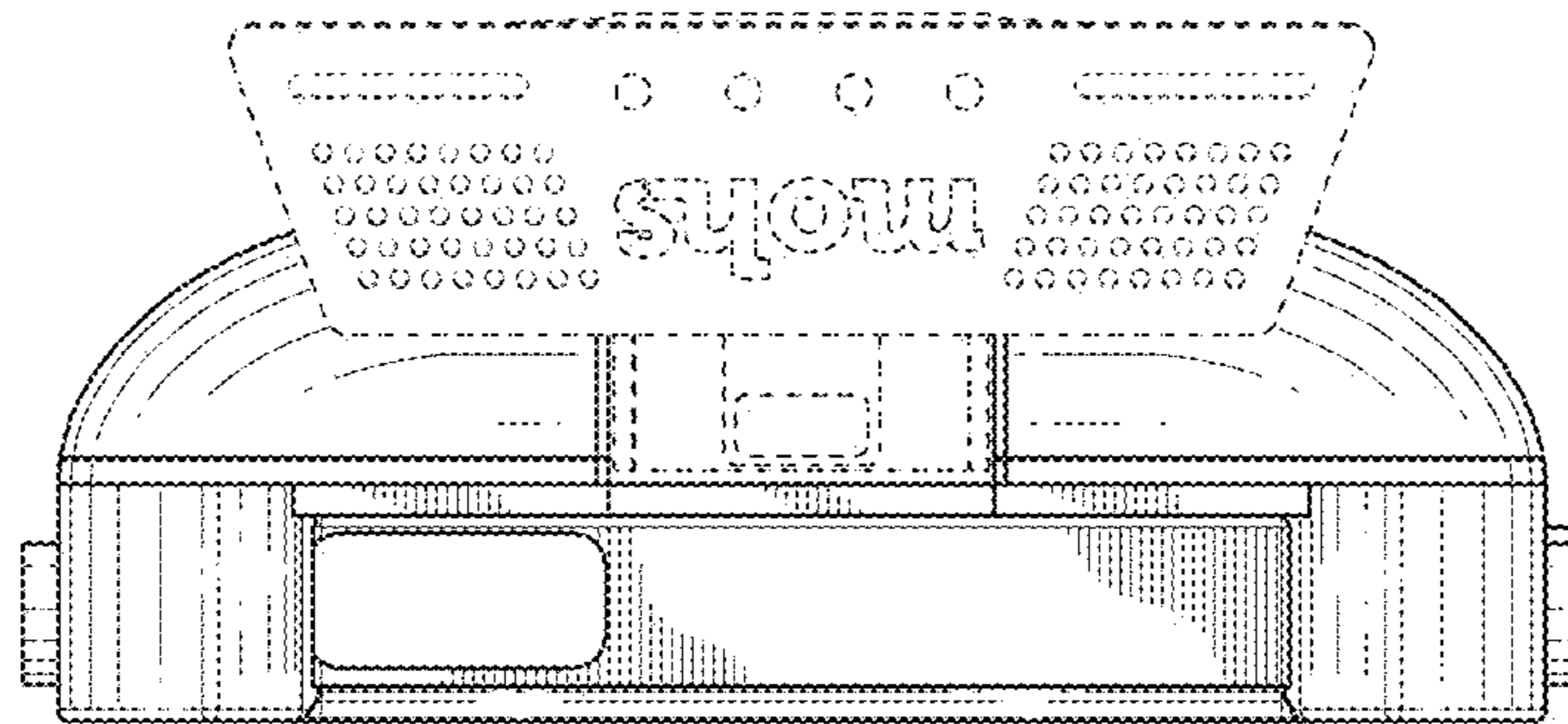


FIG. 31

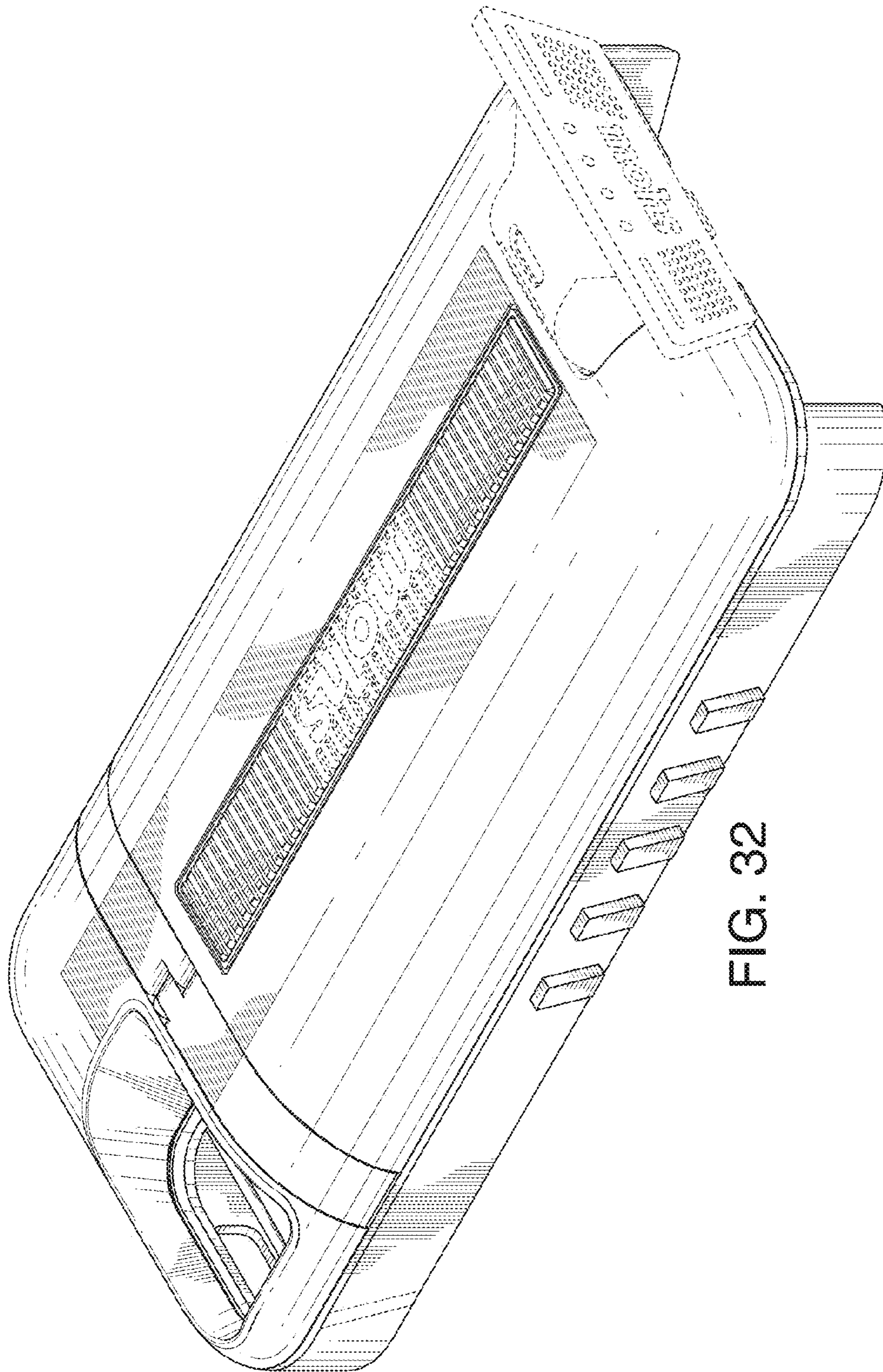


FIG. 32

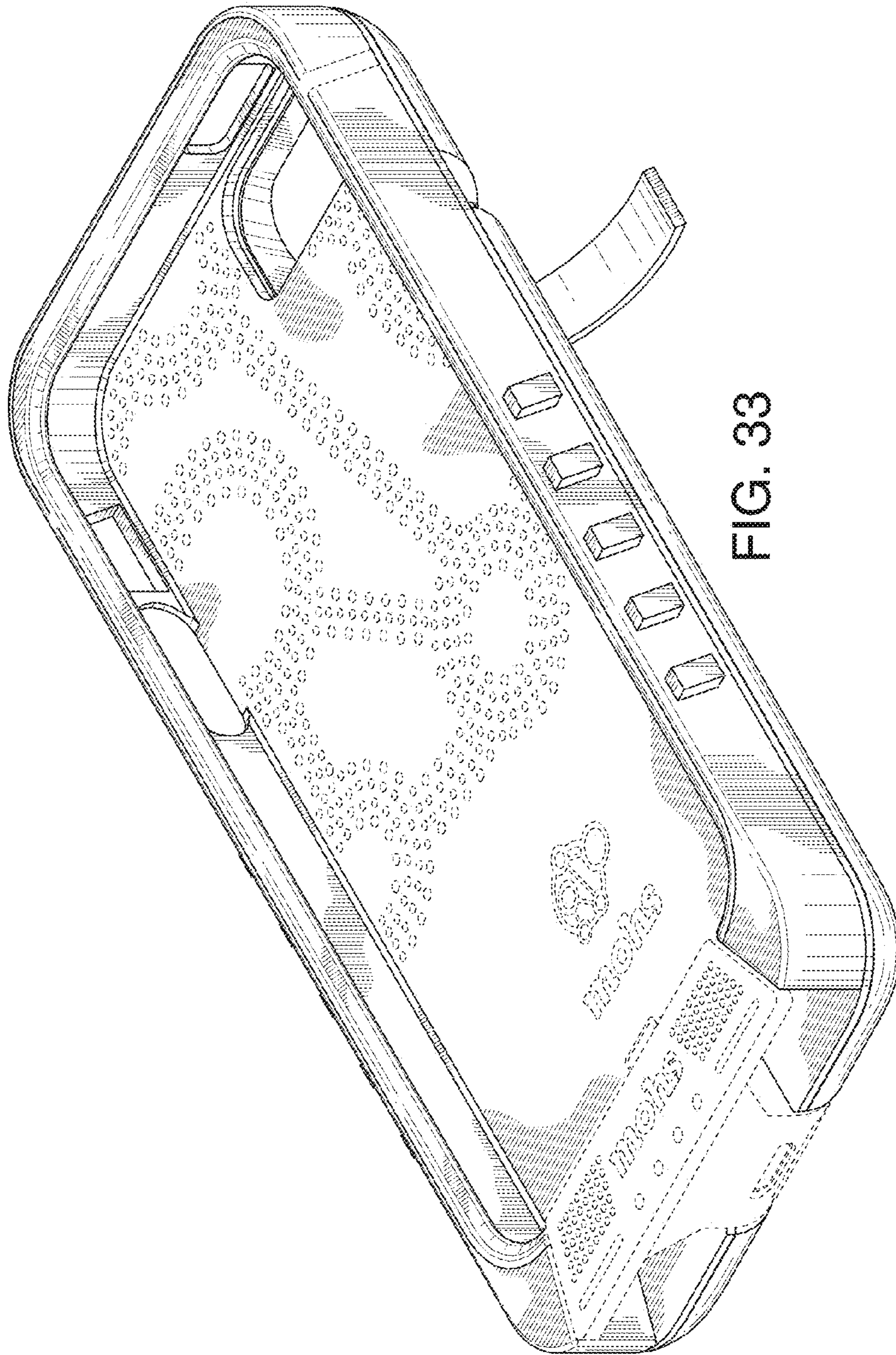


FIG. 33

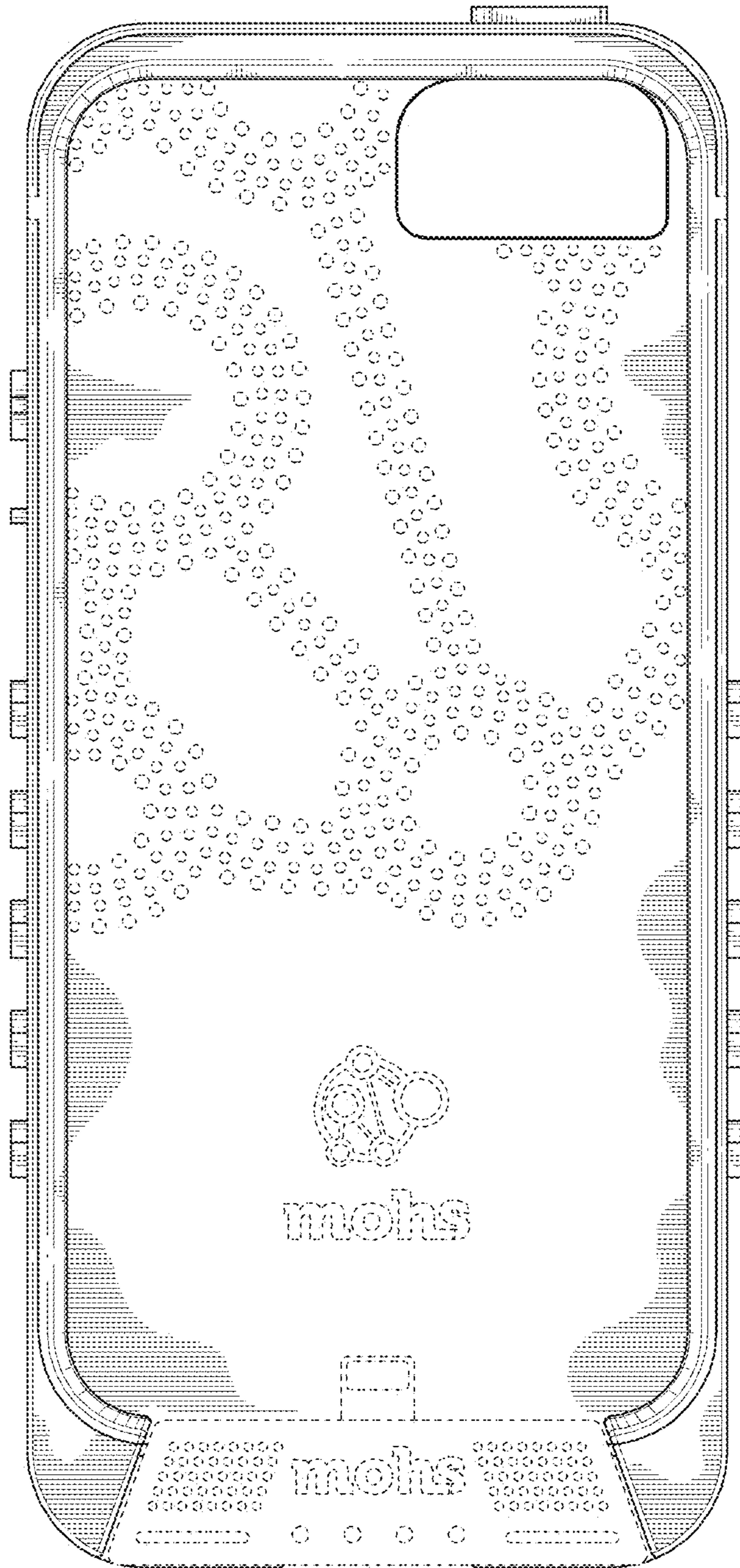


FIG. 34

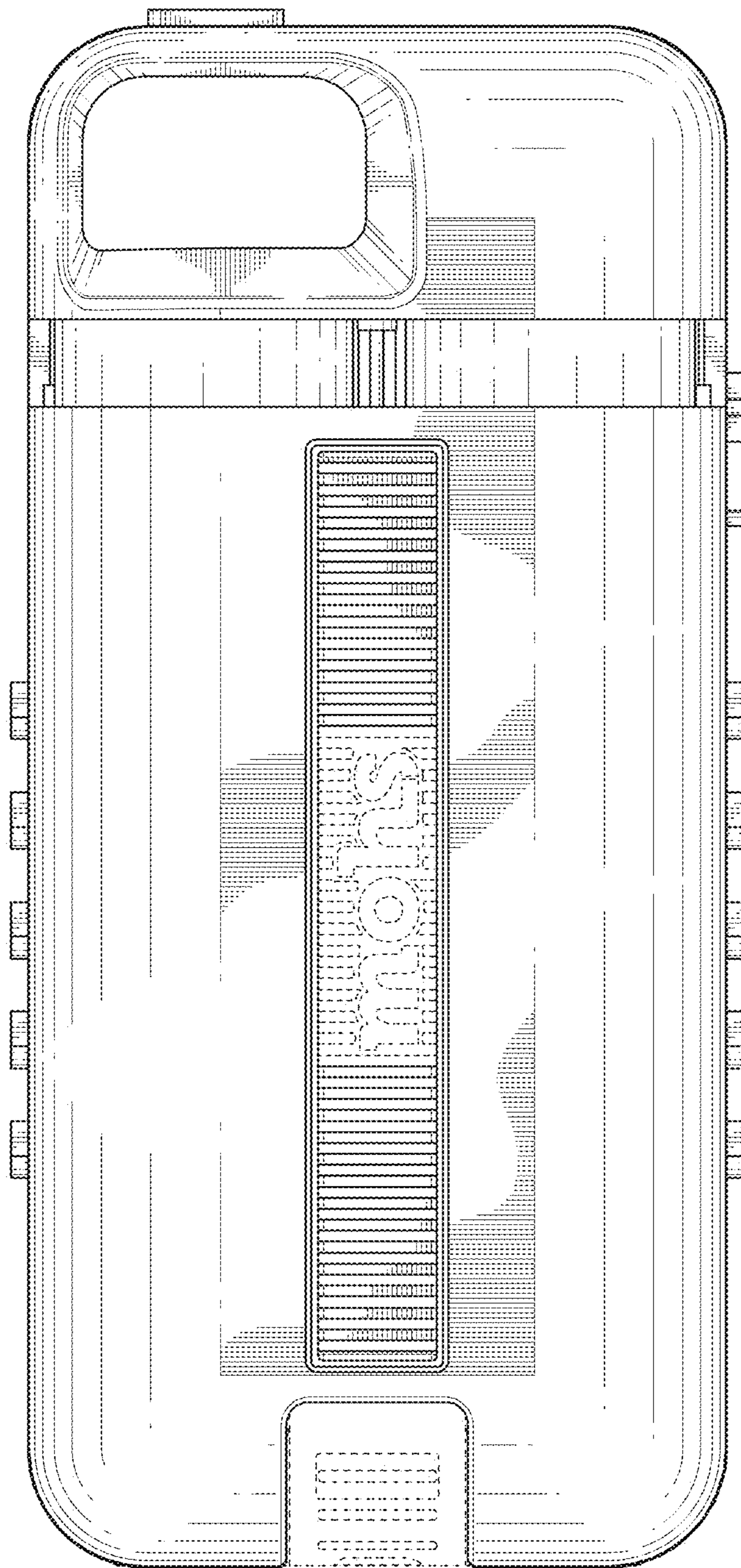


FIG. 35

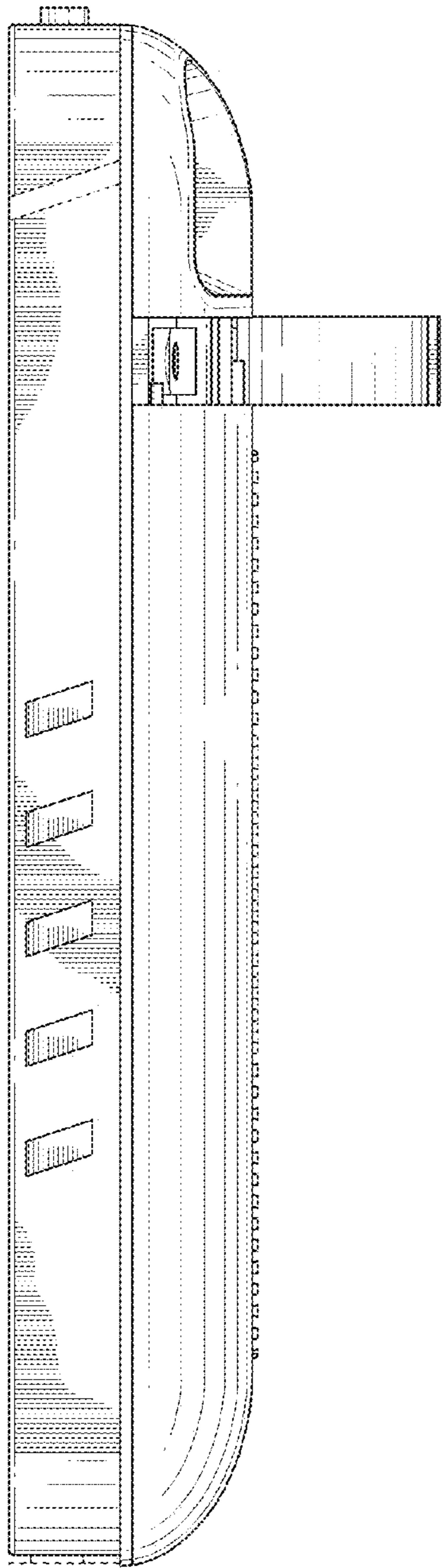


FIG. 36

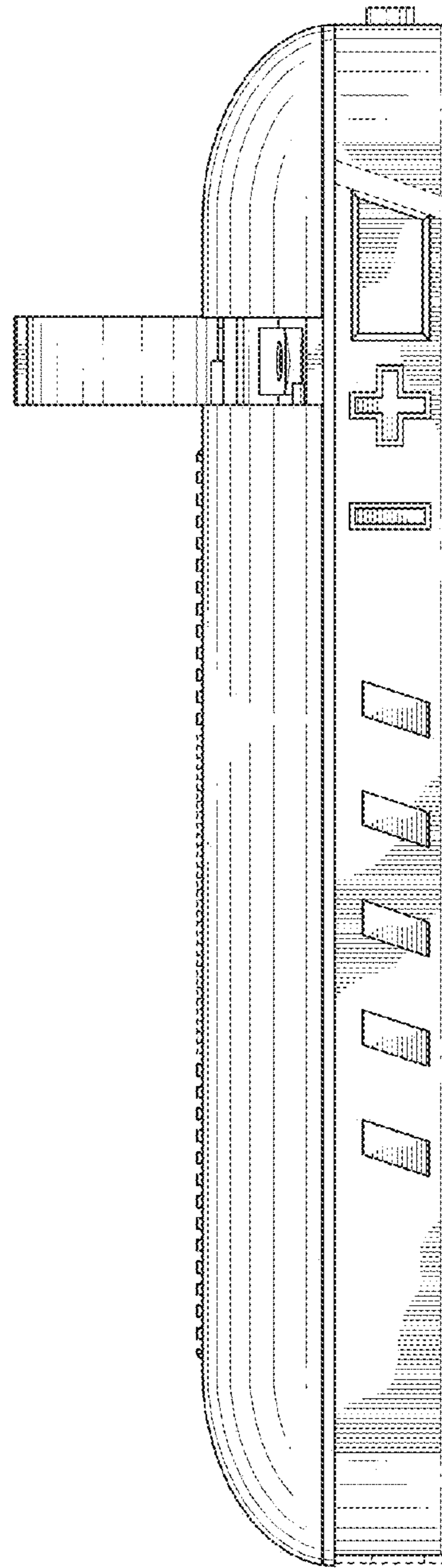


FIG. 37

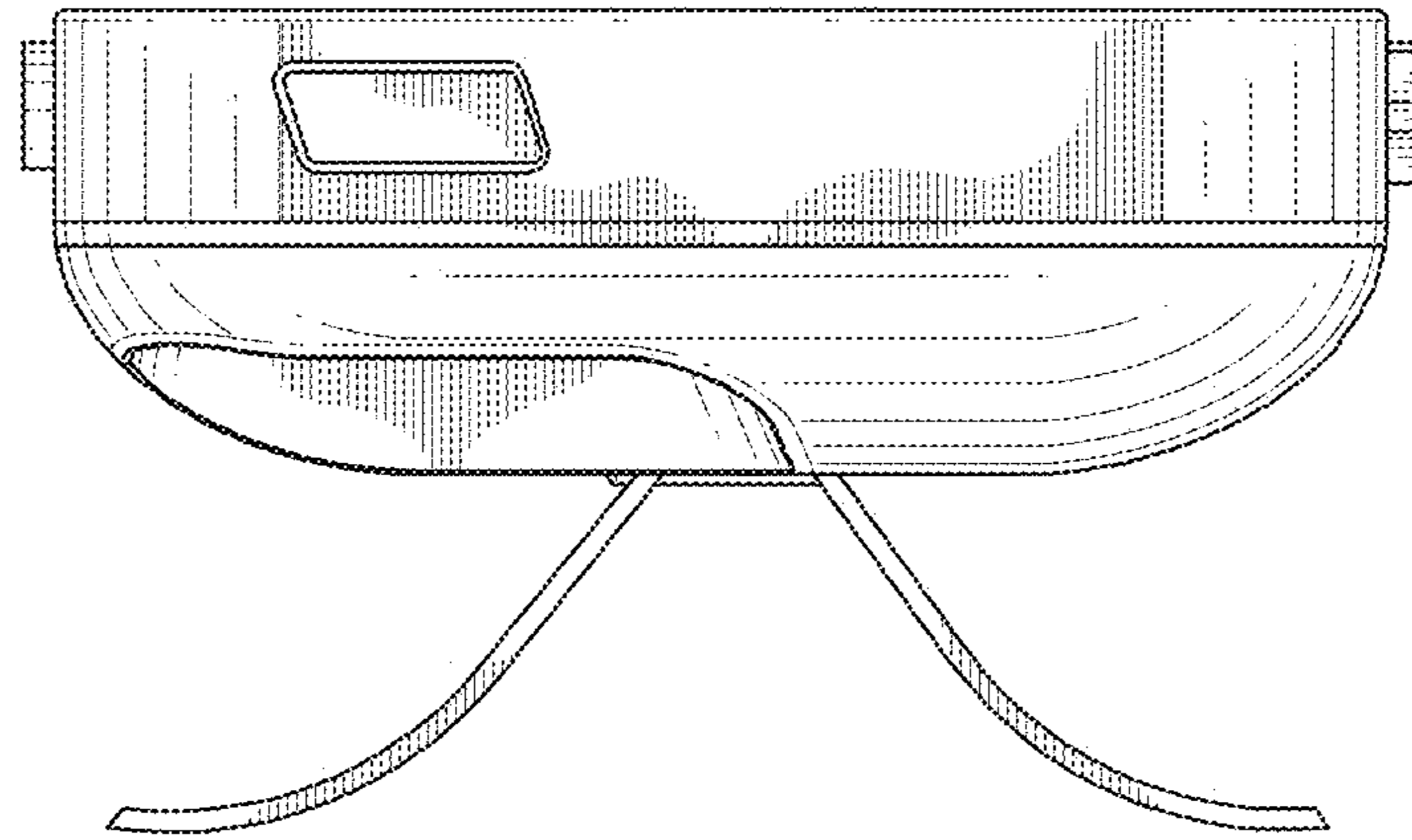


FIG. 38

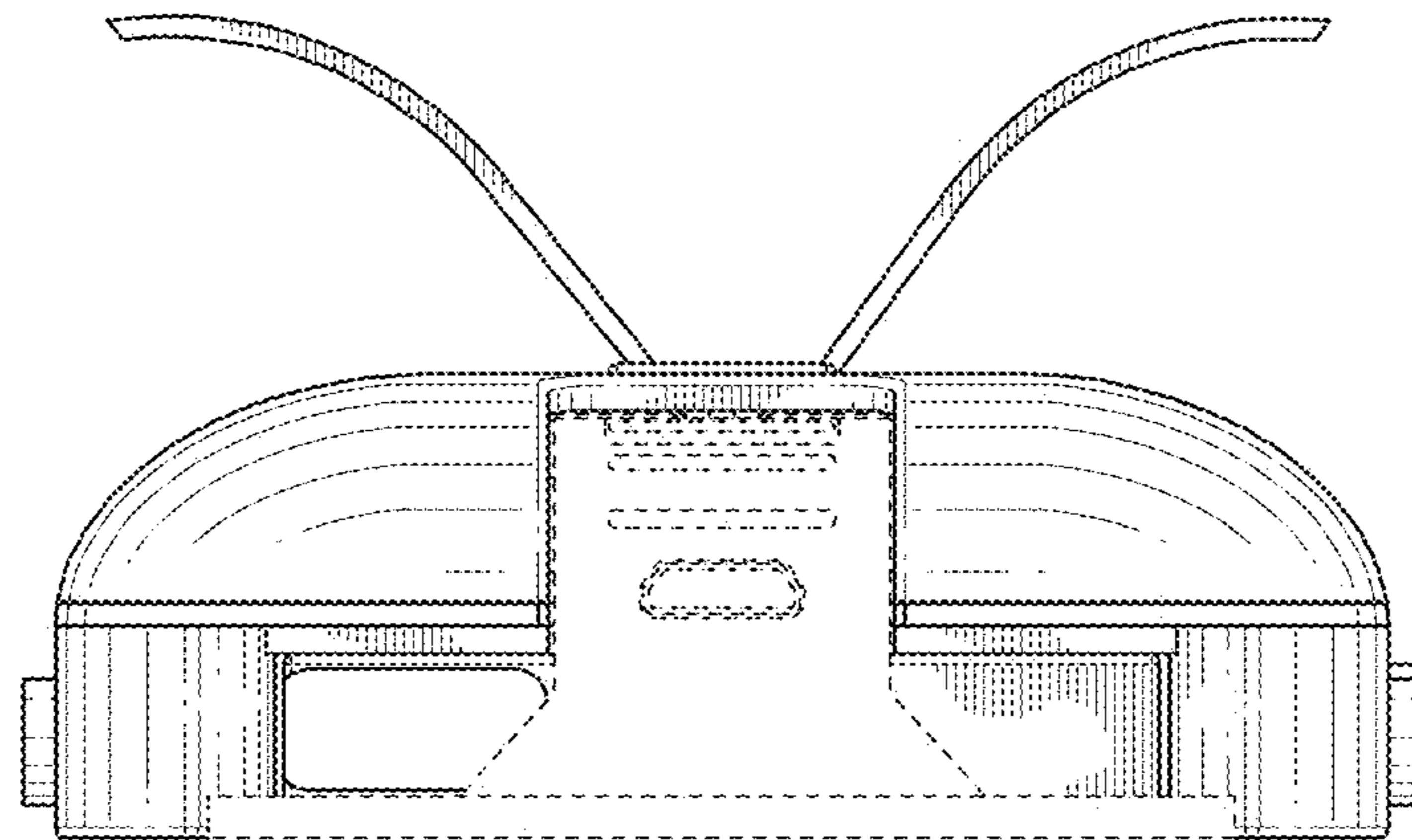


FIG. 39

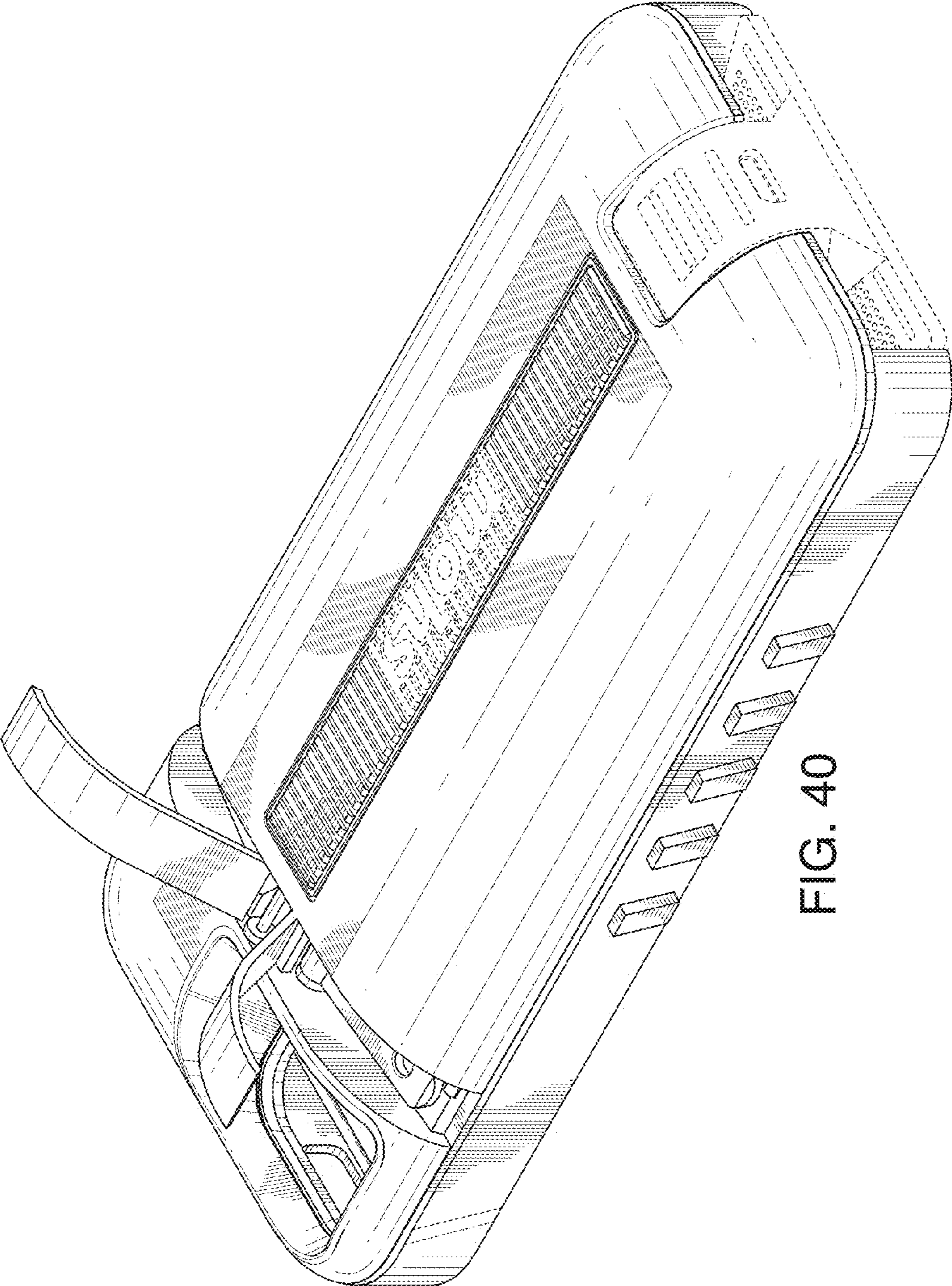


FIG. 40