



US00D723012S

(12) **United States Design Patent**
Ann et al.

(10) **Patent No.:** **US D723,012 S**
(45) **Date of Patent:** **** Feb. 24, 2015**

(54) **STAND FOR TV RECEIVER**

(71) Applicant: **Samsung Electronics Co., Ltd.**,
Suwon-si (KR)
(72) Inventors: **Sungjin Ann**, Seoul (KR); **Sinwi Moon**,
Seogwipo-si (KR)
(73) Assignee: **Samsung Electronics Co., Ltd.**,
Suwon-si (KR)

(**) Term: **14 Years**

(21) Appl. No.: **29/492,398**

(22) Filed: **May 30, 2014**

(30) **Foreign Application Priority Data**

Jan. 2, 2014 (KR) 30-2014-0000249

(51) **LOC (10) Cl.** **14-03**

(52) **U.S. Cl.**
USPC **D14/239**

(58) **Field of Classification Search**
CPC F16M 11/10
USPC D14/125-134, 239, 371, 136, 374-377,
D14/440, 450, 448, 336, 342, 159; 312/7.2;
348/836, 838, 180, 184, 325, 739;
248/917-924, 465; 345/104, 133, 156,
345/168, 87, 173; D21/329, 515, 577, 622,
D21/333, 433, 448, 452, 450, 331, 505;
D10/15, 26; 446/484, 175, 356;
D6/477, 479, 300

See application file for complete search history.

(56) **References Cited**

U.S. PATENT DOCUMENTS

D566,066	S	*	4/2008	Wang	D14/126
D616,424	S	*	5/2010	Li	D14/239
D660,293	S	*	5/2012	Itou et al.	D14/239
D676,431	S	*	2/2013	Lu et al.	D14/239
D695,244	S	*	12/2013	Wolff et al.	D14/126
D704,715	S	*	5/2014	Bliven et al.	D14/451

* cited by examiner

Primary Examiner — Randall Gholson

(74) *Attorney, Agent, or Firm* — NSIP Law

(57) **CLAIM**

We claim the ornamental design for a stand for TV receiver, as shown and described.

DESCRIPTION

FIG. 1 is a front perspective view of a stand for TV receiver showing our new design;
FIG. 2 is a front view thereof;
FIG. 3 is a rear view thereof;
FIG. 4 is a left-side view thereof;
FIG. 5 is a right-side view thereof;
FIG. 6 is a top view thereof;
FIG. 7 is a bottom view thereof;
FIG. 8 is a rear perspective view thereof; and,
FIG. 9 is another front perspective view, in which a TV receiver in broken lines is provided to illustrate an example environment.

The broken lines shown in the drawings show unclaimed subject matter only and form no part of the claimed design.

1 Claim, 9 Drawing Sheets

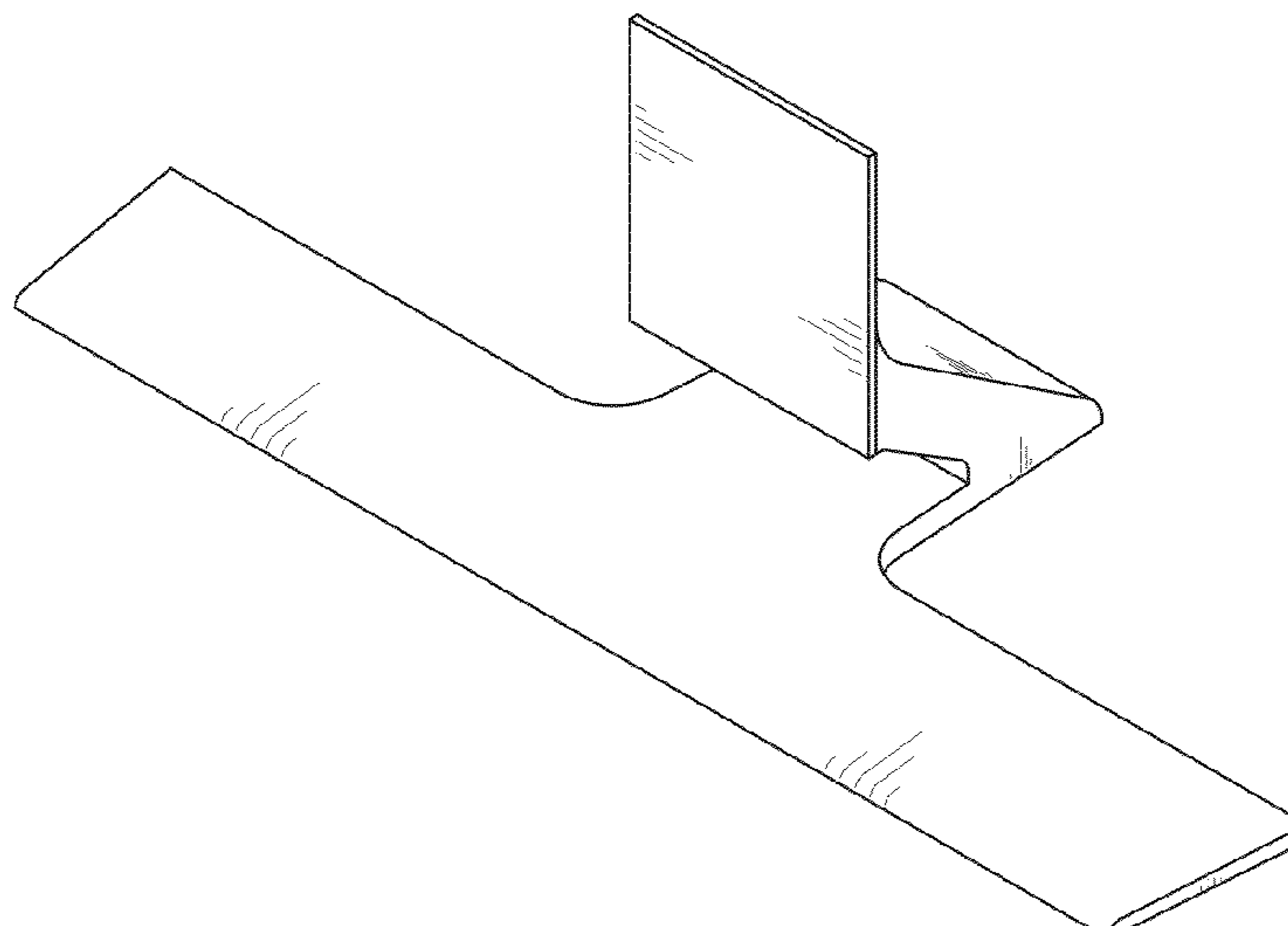


FIG. 1

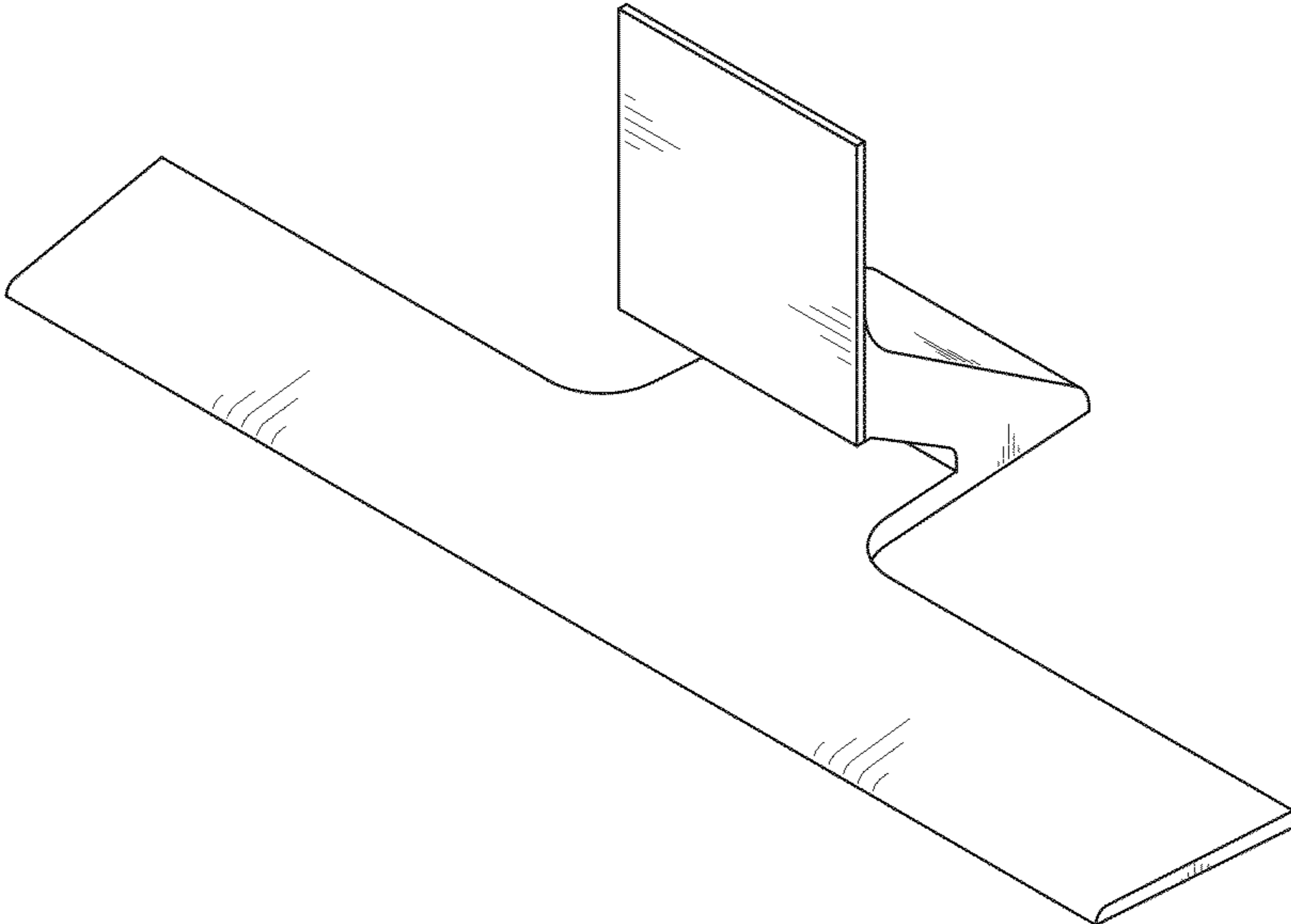


FIG. 2

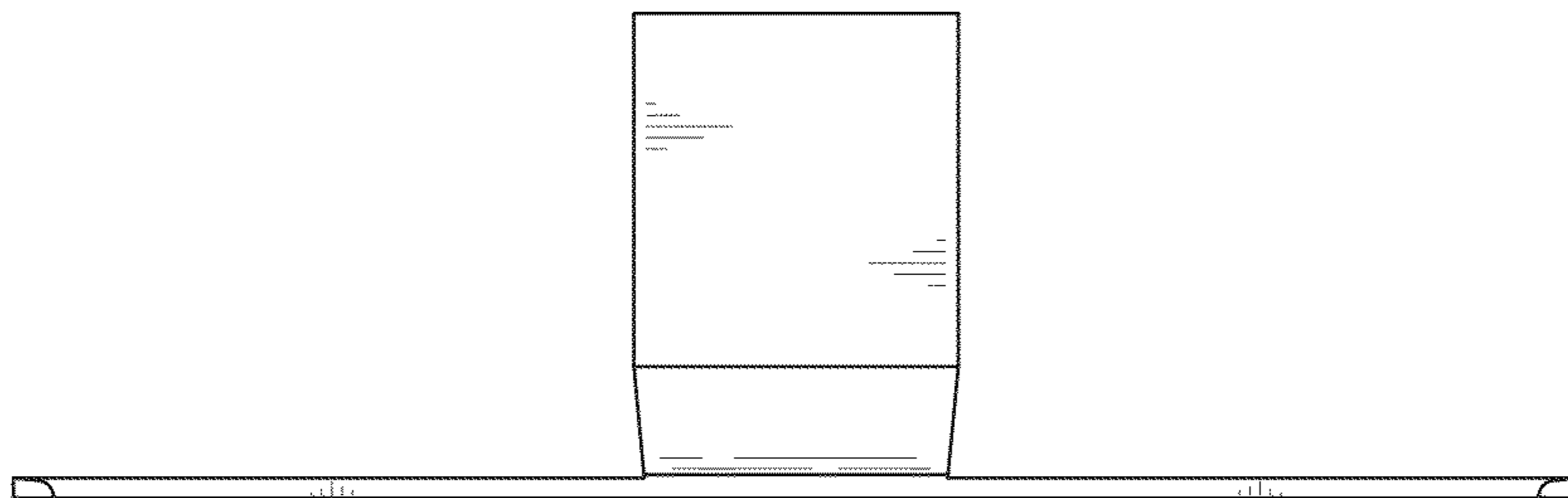


FIG. 3

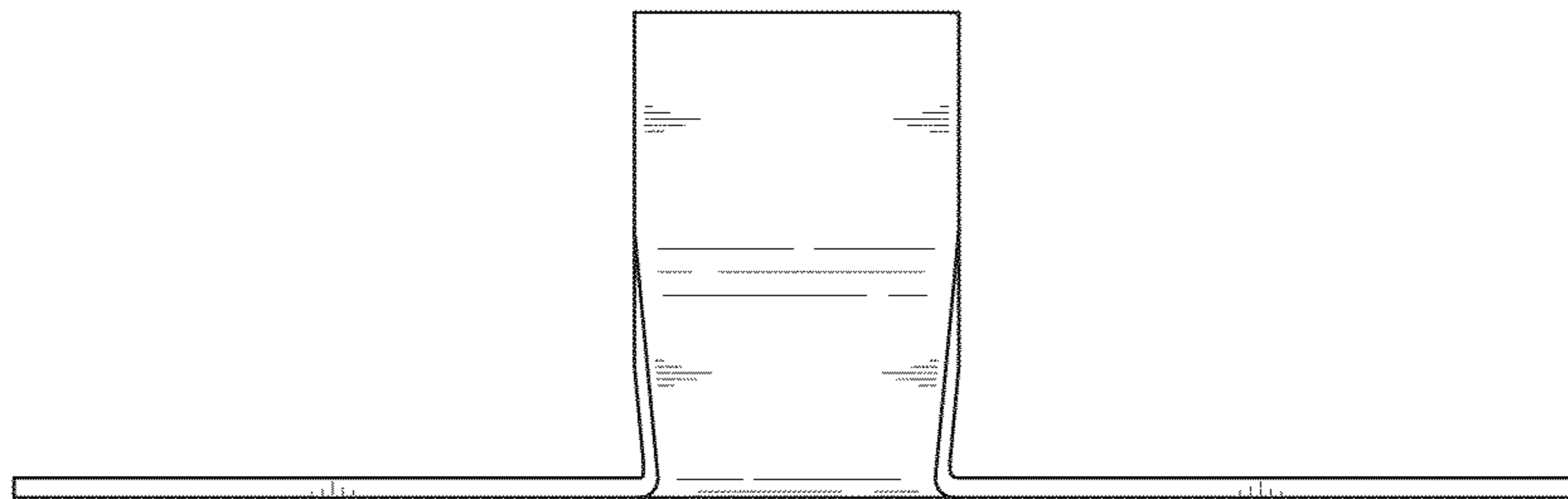


FIG. 4

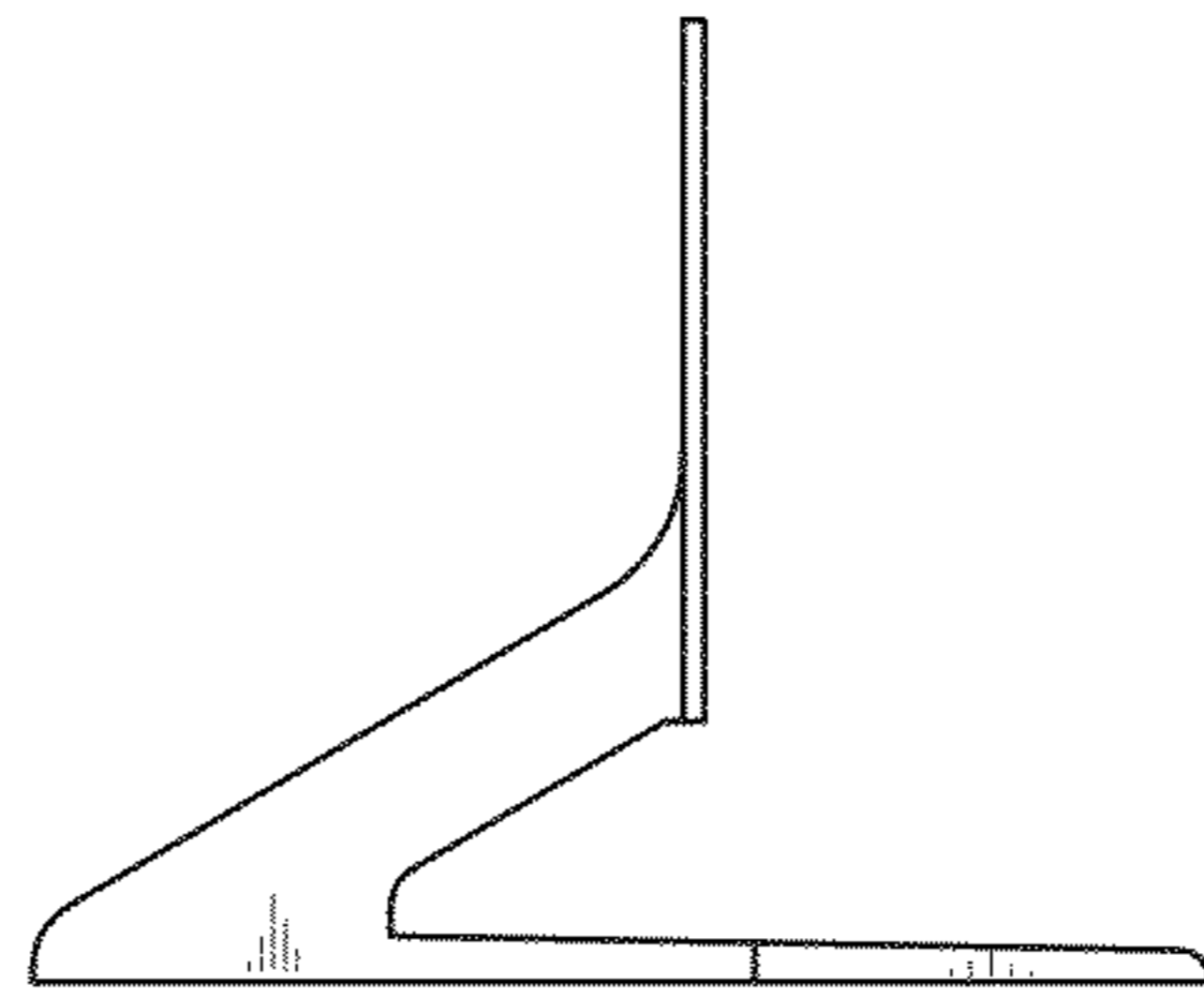


FIG. 5

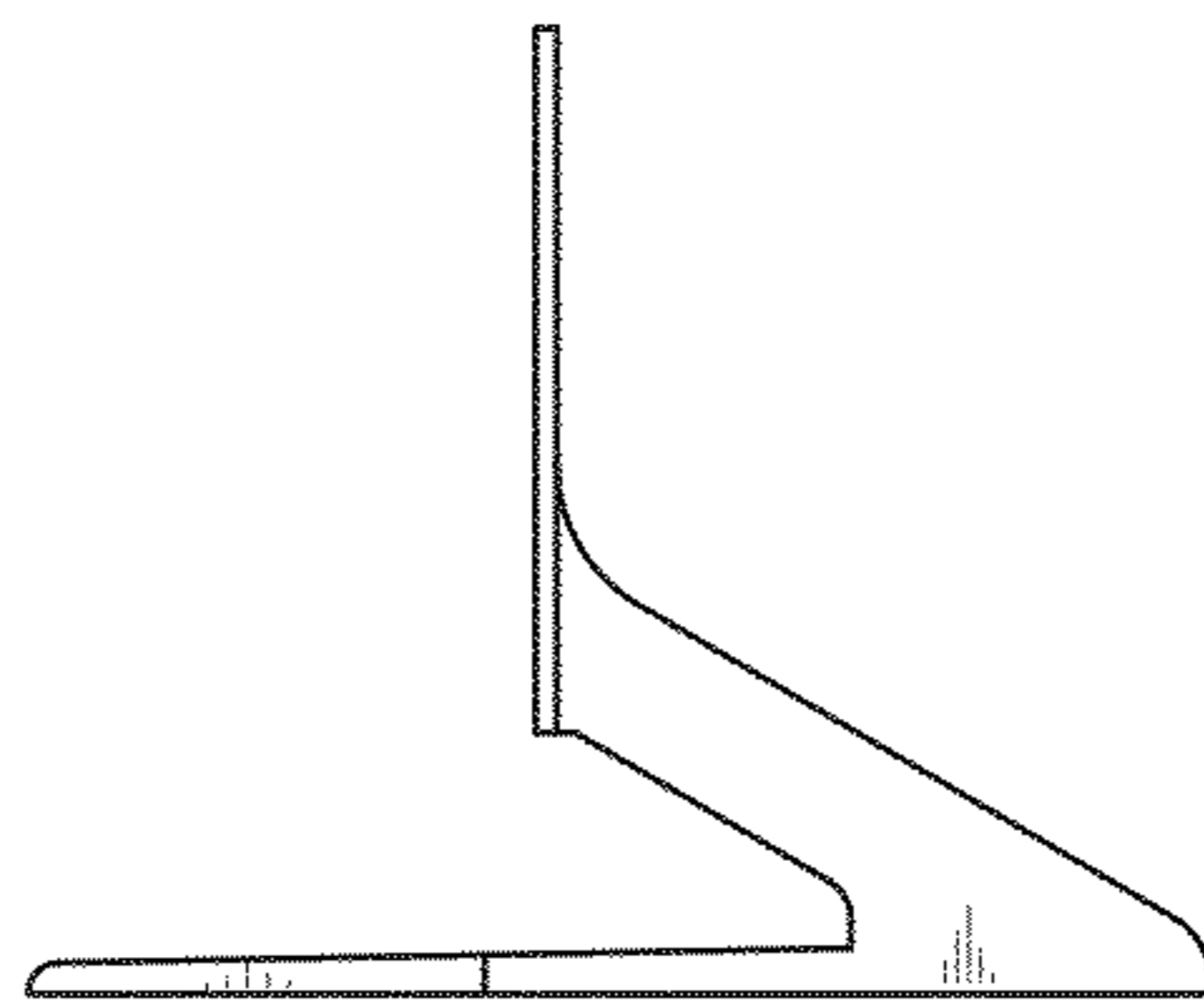


FIG. 6

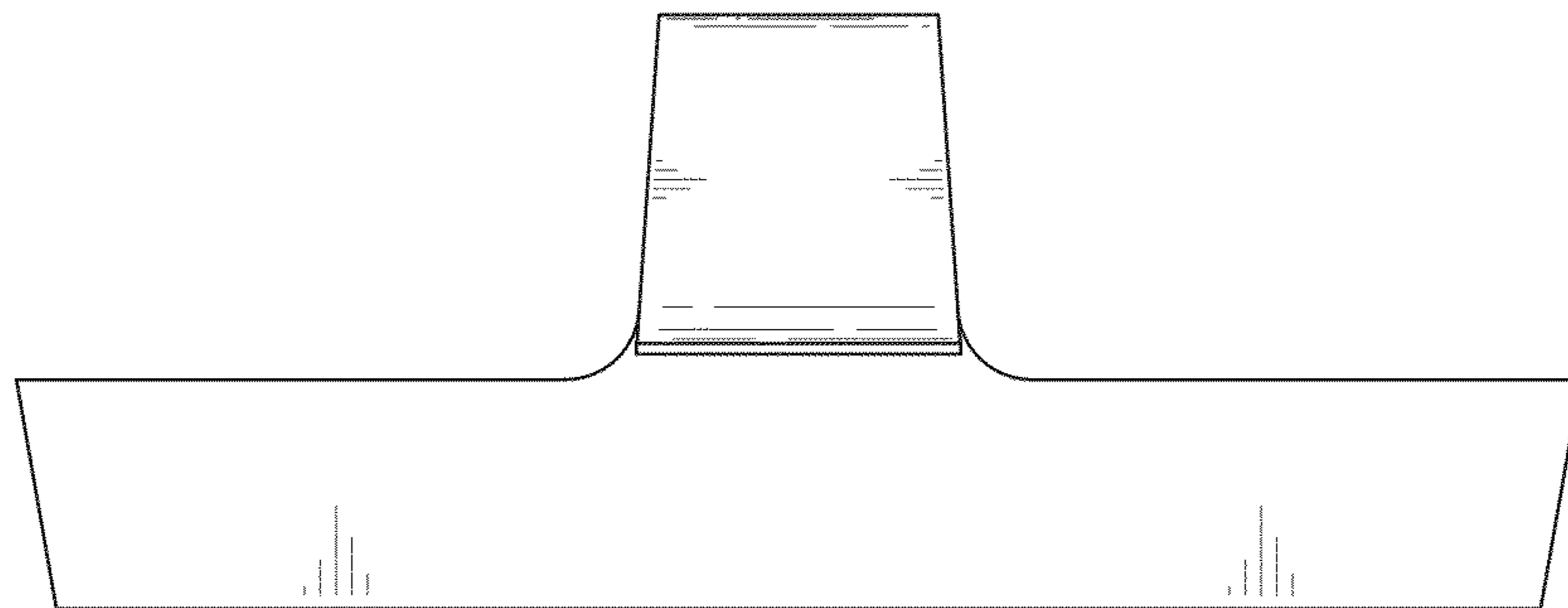


FIG. 7

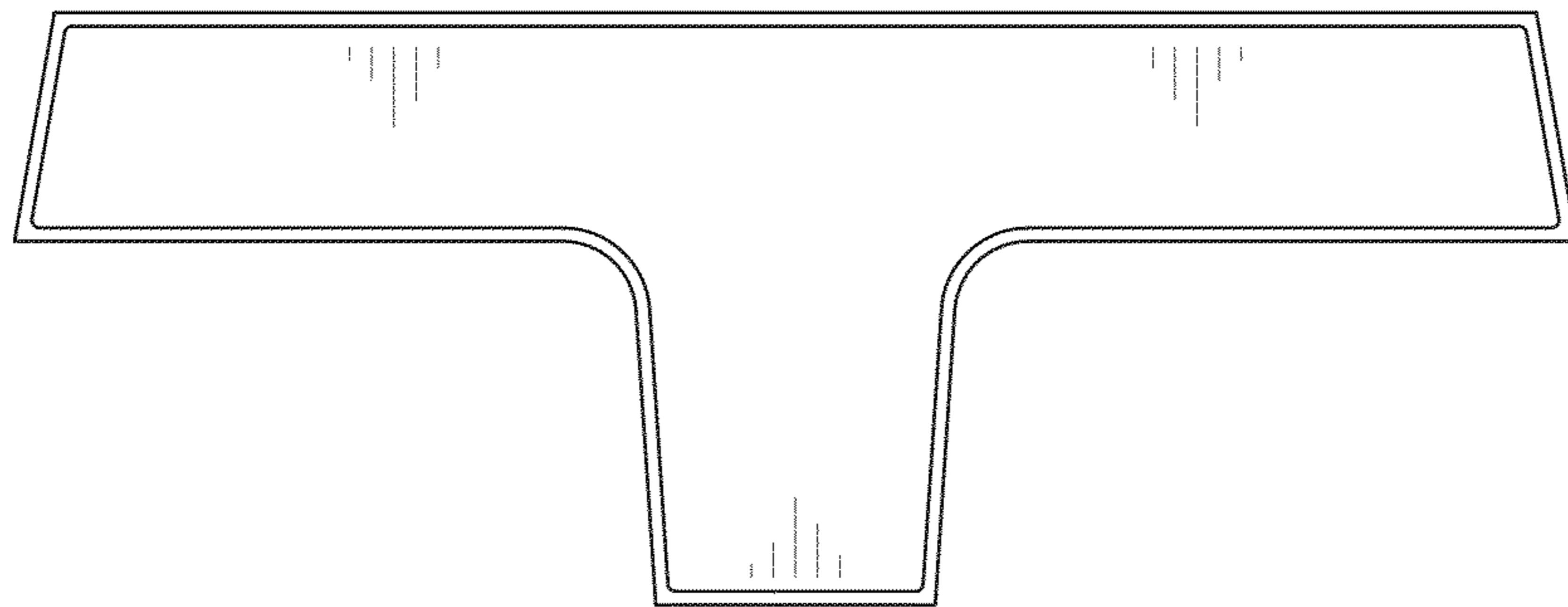


FIG. 8

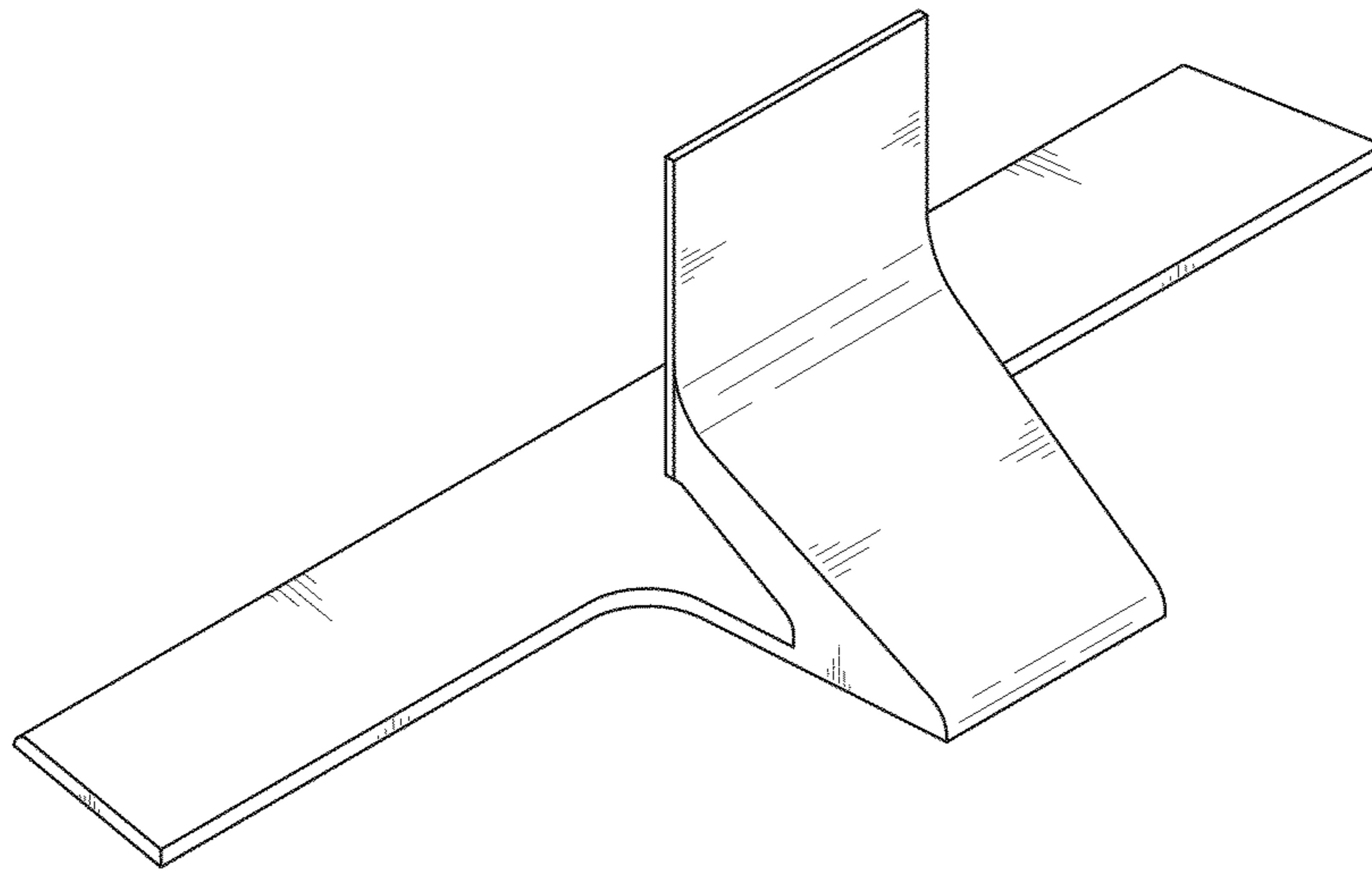


FIG. 9

