



US00D723011S

(12) **United States Design Patent**
Symons

(10) **Patent No.:** **US D723,011 S**
(45) **Date of Patent:** **** Feb. 24, 2015**

- (54) **HEADPHONE STAND**
- (71) Applicant: **Bluelounge Pte. Ltd.**, Wilkie Edge (SG)
- (72) Inventor: **Dominic Symons**, Wilkie Edge (SG)
- (73) Assignee: **Bluelounge Pte. Ltd.**, Wilkie Edge (SG)
- (**) Term: **14 Years**
- (21) Appl. No.: **29/501,444**
- (22) Filed: **Sep. 4, 2014**
- (51) **LOC (10) Cl.** **14-01**
- (52) **U.S. Cl.**
USPC **D14/224**
- (58) **Field of Classification Search**
CPC H04R 3/00; H04R 1/026
USPC D14/223, 224, 209.1, 168, 211, 217,
D14/221, 229, 251, 155, 447, 466, 451, 413,
D14/432, 434; 181/155, 148; 248/185.1;
16/338; 381/386, 183, 187, 188;
428/176.1, 177.1
See application file for complete search history.

6,735,453	B1	5/2004	Bobisuthi	
D494,572	S *	8/2004	Moeller	D14/224
D497,904	S *	11/2004	Dardashti	D14/224
D526,616	S *	8/2006	Nakashima et al.	D13/133
D564,501	S *	3/2008	Rath	D14/224
D579,004	S *	10/2008	Bang et al.	D14/223
D581,698	S *	12/2008	Fix	D6/449
D585,875	S *	2/2009	Matsuoka	D14/211
D593,998	S *	6/2009	Bentley et al.	D14/224
D623,502	S	9/2010	Blonder	
D645,027	S *	9/2011	Gougherty et al.	D14/224
D645,448	S *	9/2011	Kim et al.	D14/211
D676,422	S *	2/2013	Onoue	D14/214
D683,330	S *	5/2013	Ryu et al.	D14/209.1
8,494,205	B2	7/2013	Jensen	
2013/0223640	A1	8/2013	Urano	

OTHER PUBLICATIONS

- Kickstarter.com, Sep. 2, 2014, Internet printout: <https://www.kickstarter.com/projects/871787809/edge-designed-headphone-stand>.
- Headphile.com, Sep. 2, 2014, Internet printout: <http://headphile.com/>.
- Just-mobile.com, Sep. 2, 2014, Internet printout: <http://usa.just-mobile.com/iphone/headstand.html#.VAYYT0vkhn1>.

(Continued)

Primary Examiner — Paula Greene

(74) *Attorney, Agent, or Firm* — Todd R. Miller

(56) **References Cited**

U.S. PATENT DOCUMENTS

2,846,942	A *	8/1958	Bowman	99/427
3,654,404	A	4/1972	Hutchings	
D291,316	S *	8/1987	Johnston et al.	D14/451
D325,578	S *	4/1992	Daido et al.	D14/155
D326,969	S *	6/1992	Eason et al.	D6/455
D355,913	S *	2/1995	Chong	D14/168
D357,248	S	4/1995	Cheng	
5,638,579	A *	6/1997	Tenney	16/338
D387,784	S *	12/1997	Nakamura	D14/224
5,715,321	A	2/1998	Andrea	
D400,735	S *	11/1998	House et al.	D6/466
D426,540	S *	6/2000	Tejima	D14/224
D433,005	S *	10/2000	McGugan	D14/155
D482,674	S *	11/2003	Rath et al.	D14/206

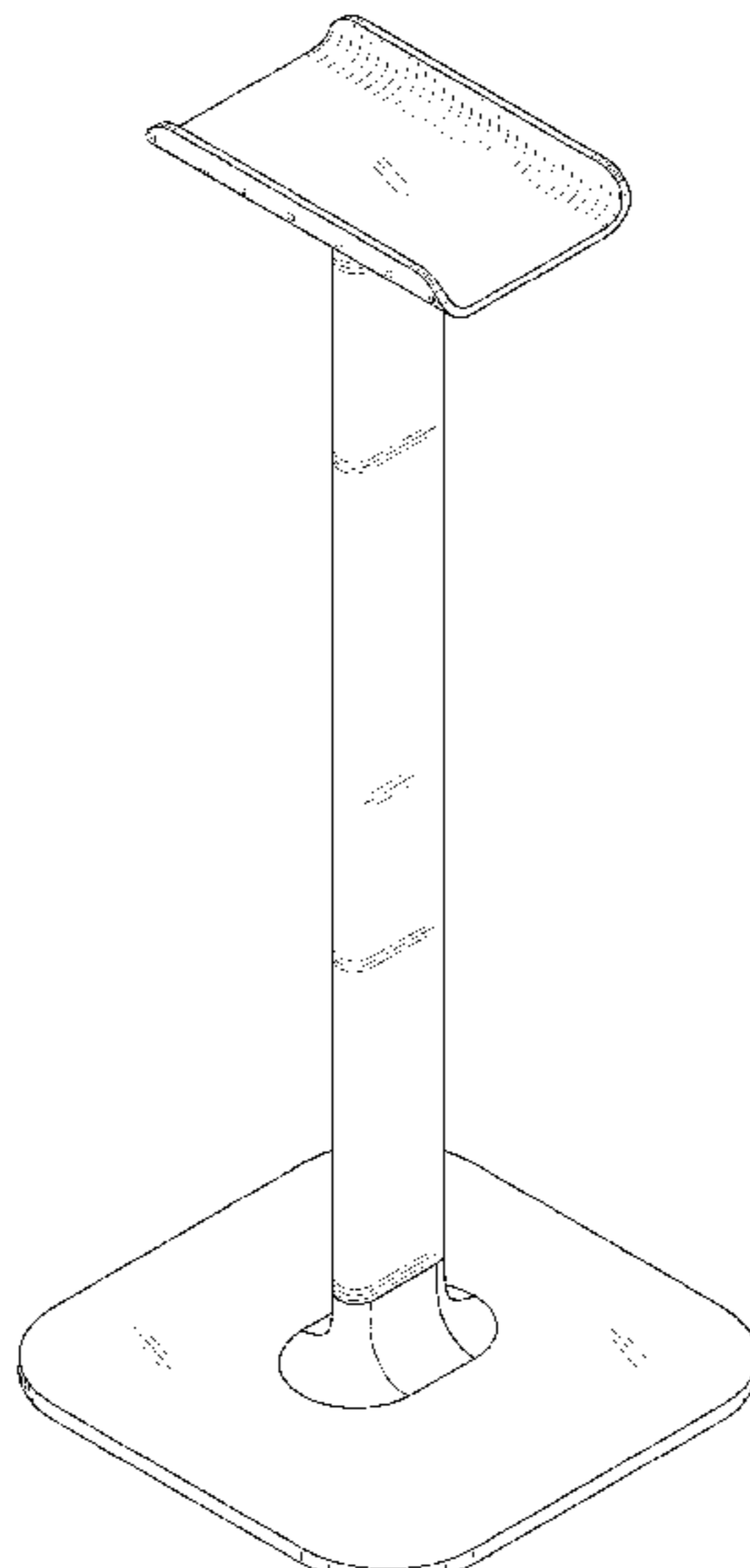
(57) **CLAIM**

The ornamental design for a headphone stand, as shown and described.

DESCRIPTION

- FIG. 1 is a front view of a headphone stand showing my new design;
- FIG. 2 is a side view thereof;
- FIG. 3 is a perspective view thereof; and,
- FIG. 4 is a top view thereof.

1 Claim, 4 Drawing Sheets



(56)

References Cited

OTHER PUBLICATIONS

Kangton-kresek.com, Sep. 2, 2014, Internet printout: http://www.kantong-kresek.com/product.php?id_product=434.
Bestbuy.com, Sep. 2, 2014, Internet printout: [http://www.bestbuy.com/site/rocketfish-rocketfish-universal-headse . . . Ip=2&utm_](http://www.bestbuy.com/site/rocketfish-rocketfish-universal-headse...Ip=2&utm_)

source=sendgrid_com&utm_medium=email&utm_campaign=website.

Wooaudio.com, Sep. 2, 2014, Internet printout: <http://woaudio.com/products/wahps.html>.

Wooaudio.com, Sep. 2, 2014, Internet printout: <http://woaudio.com/products/wahps2.html>.

* cited by examiner

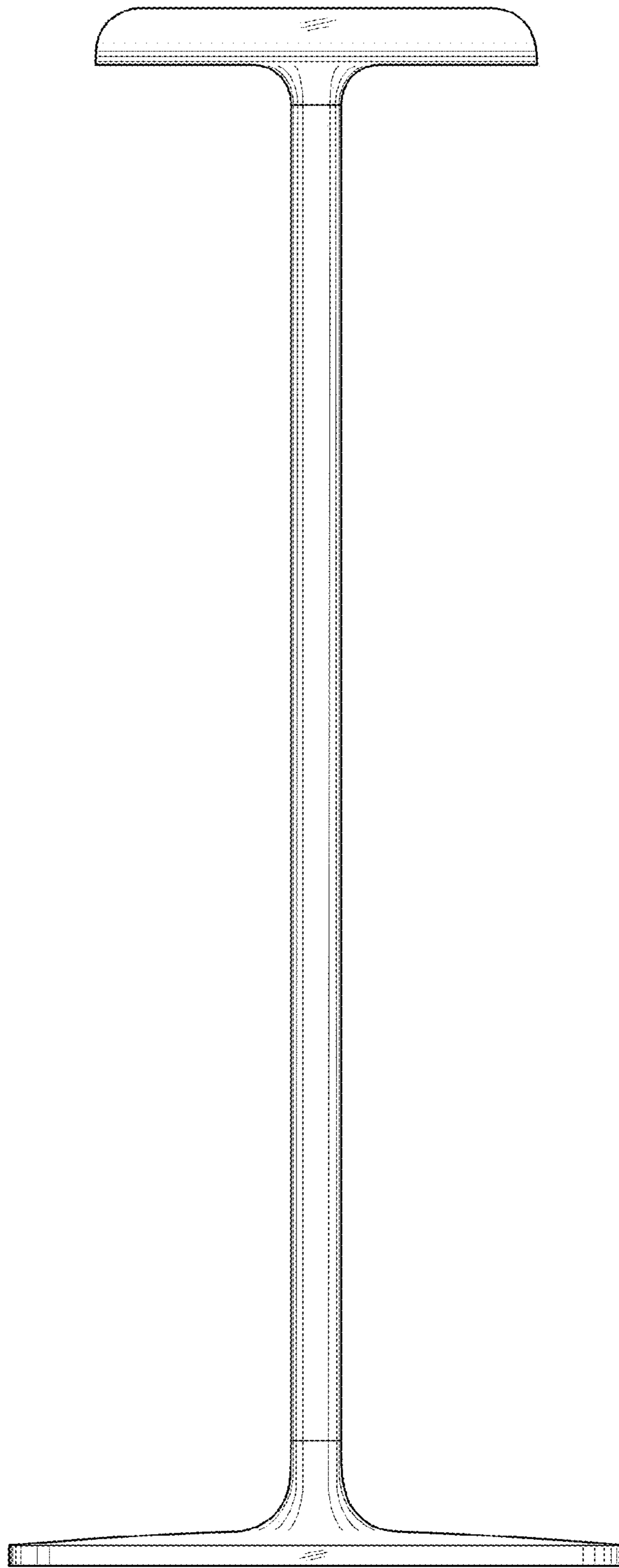


Fig. 1

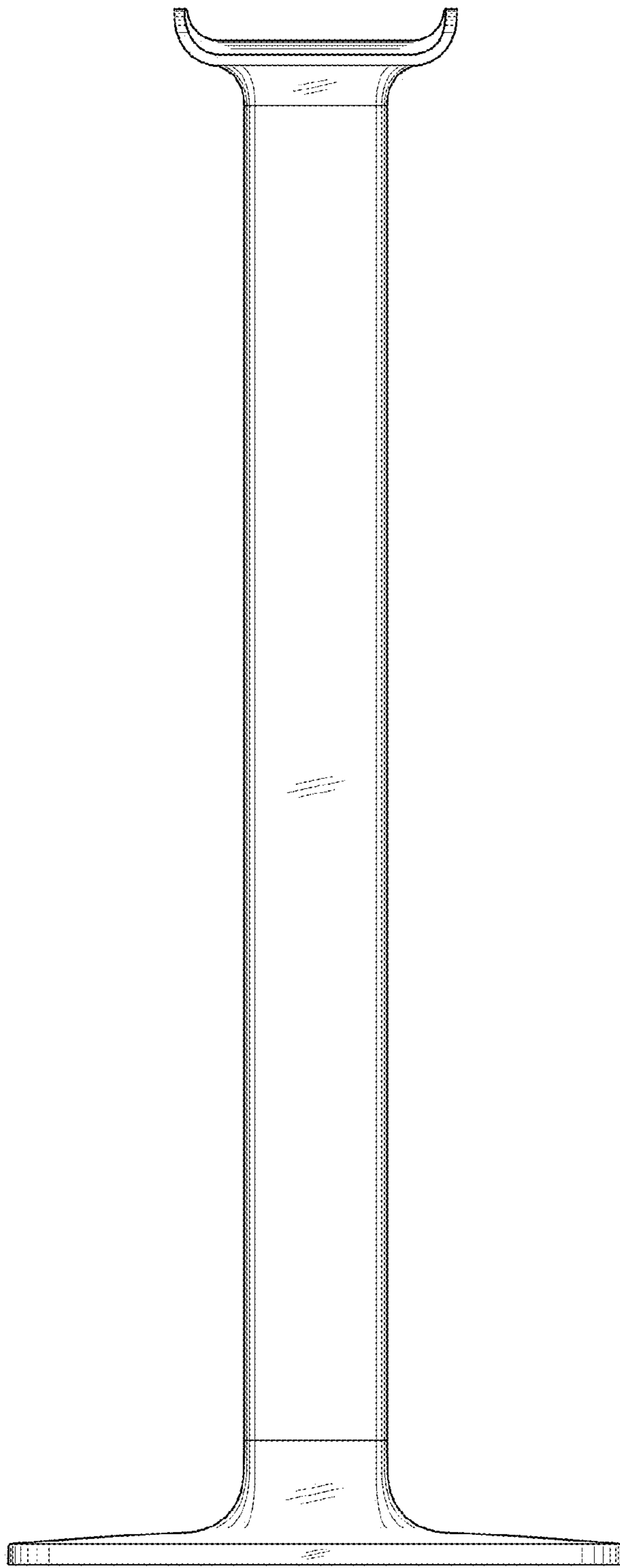


Fig. 2

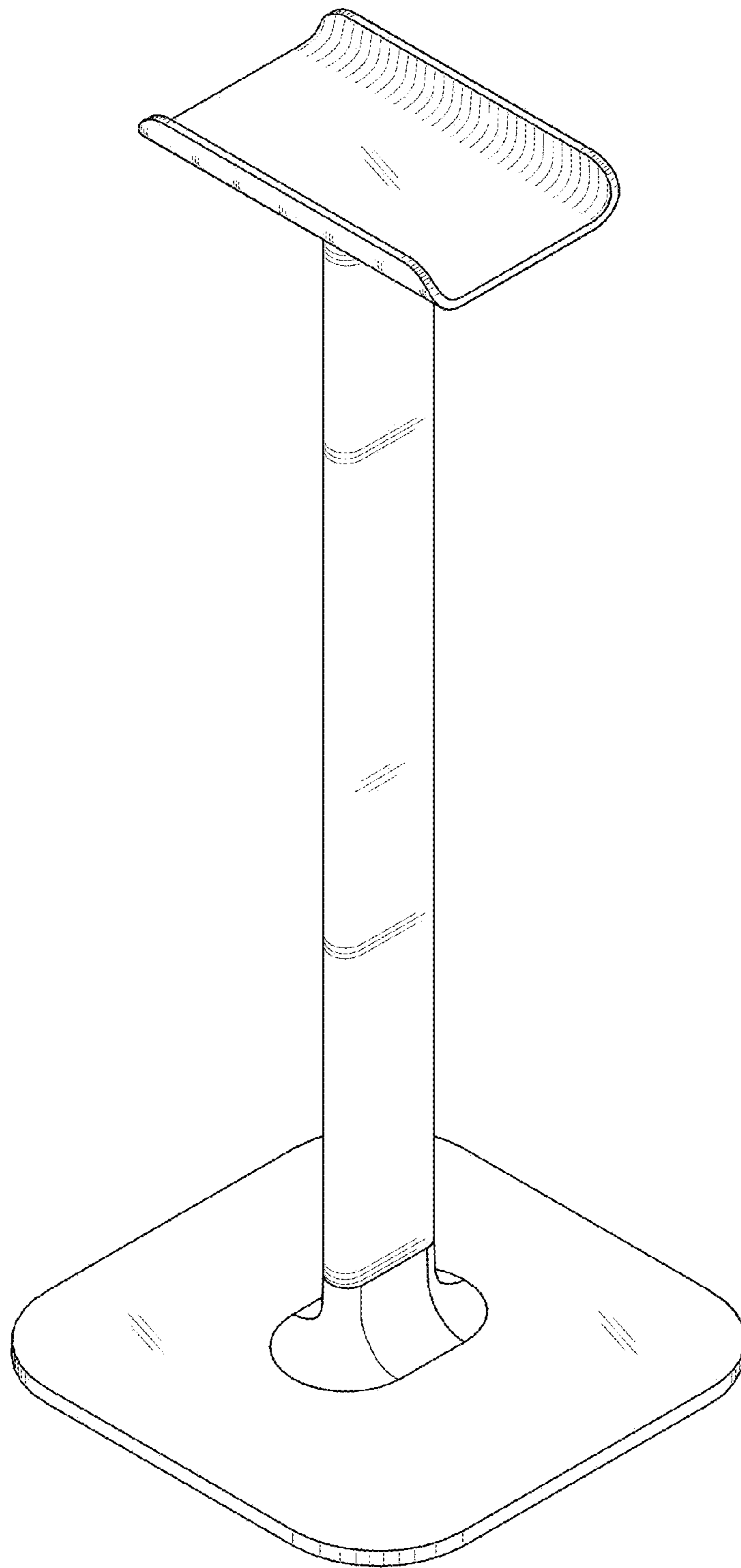


Fig. 3

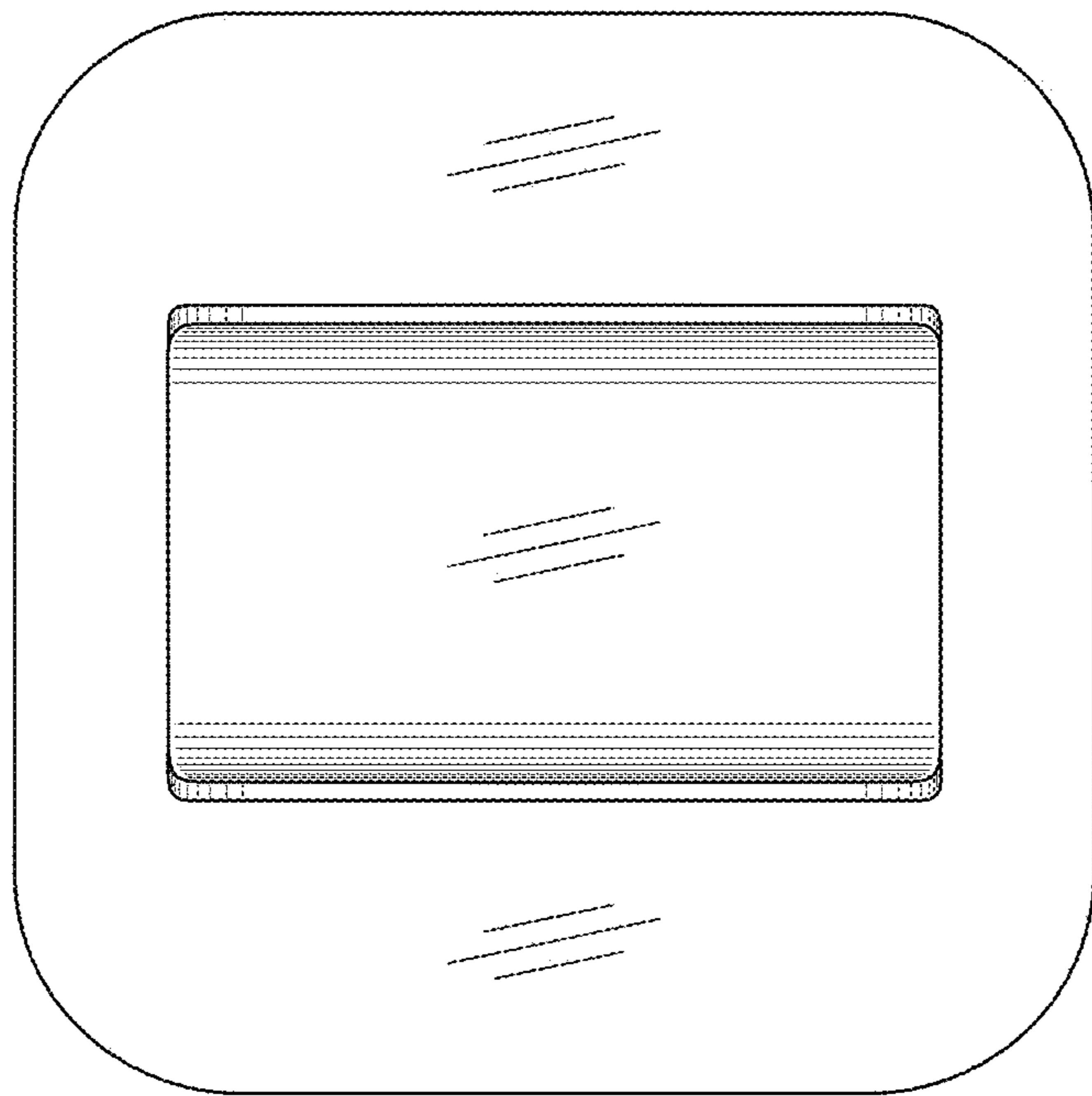


Fig. 4