



US00D723010S

(12) **United States Design Patent**  
**Moon et al.**

(10) **Patent No.:** **US D723,010 S**

(45) **Date of Patent:** **\*\* Feb. 24, 2015**

(54) **AUDIO SPEAKER**

(71) Applicant: **Samsung Electronics Co., Ltd.**,  
Suwon-si (KR)

(72) Inventors: **Sinwi Moon**, Seogwiposi (KR); **Yu Li**  
**Sung**, Goyang-si (KR); **Sungjin Ann**,  
Seoul (KR); **Young Soo Hong**,  
Goyang-si (KR)

(73) Assignee: **Samsung Electronics Co., Ltd.**,  
Suwon-si (KR)

(\*\*) Term: **14 Years**

(21) Appl. No.: **29/467,423**

(22) Filed: **Sep. 19, 2013**

(30) **Foreign Application Priority Data**

Mar. 19, 2013 (KR) ..... 30-2013-0013837

(51) **LOC (10) Cl.** ..... **14-01**

(52) **U.S. Cl.**  
USPC ..... **D14/222**

(58) **Field of Classification Search**  
USPC ..... D14/204, 210–216, 221, 222, 172;  
181/143, 144, 147, 148, 150–153, 157,  
181/198, 199; 381/300–303, 306, 332, 333,  
381/336, 345, 361–364, 386–388

See application file for complete search history.

(56) **References Cited**

U.S. PATENT DOCUMENTS

D77,263	S	*	12/1928	Stevens	.....	D14/222
D85,825	S	*	12/1931	Houghton	.....	D14/222
5,455,396	A	*	10/1995	Willard et al.	.....	181/172
D389,487	S	*	1/1998	Saraiva Lino Pires	.....	D14/221
6,516,076	B1	*	2/2003	Marlin	.....	381/340
D473,216	S	*	4/2003	Irby et al.	.....	D14/222
6,801,629	B2	*	10/2004	Brimhall et al.	.....	381/72
D568,300	S	*	5/2008	Akaishi et al.	.....	D14/222
D615,532	S	*	5/2010	Dodd et al.	.....	D14/221
D626,945	S	*	11/2010	Chen	.....	D14/222
8,230,966	B2	*	7/2012	Kajihara et al.	.....	181/169
D705,193	S	*	5/2014	Yoon et al.	.....	D14/221

\* cited by examiner

*Primary Examiner* — Prabhakar Deshmukh

(74) *Attorney, Agent, or Firm* — NSIP Law

(57) **CLAIM**

The ornamental design for an audio speaker, as shown and described.

**DESCRIPTION**

FIG. 1 is a front perspective view of an audio speaker showing our new design;

FIG. 2 is a front view thereof;

FIG. 3 is a rear view thereof;

FIG. 4 is a left-side view thereof;

FIG. 5 is a right-side view thereof;

FIG. 6 is a top view thereof;

FIG. 7 is a bottom view thereof; and,

FIG. 8 is a left-side view of a central unit of the audio speaker wherein the central unit is enlarged and the broken lines are removed for illustrative purposes only.

The broken lines are for environmental purposes only and form no part of the claimed design.

**1 Claim, 8 Drawing Sheets**

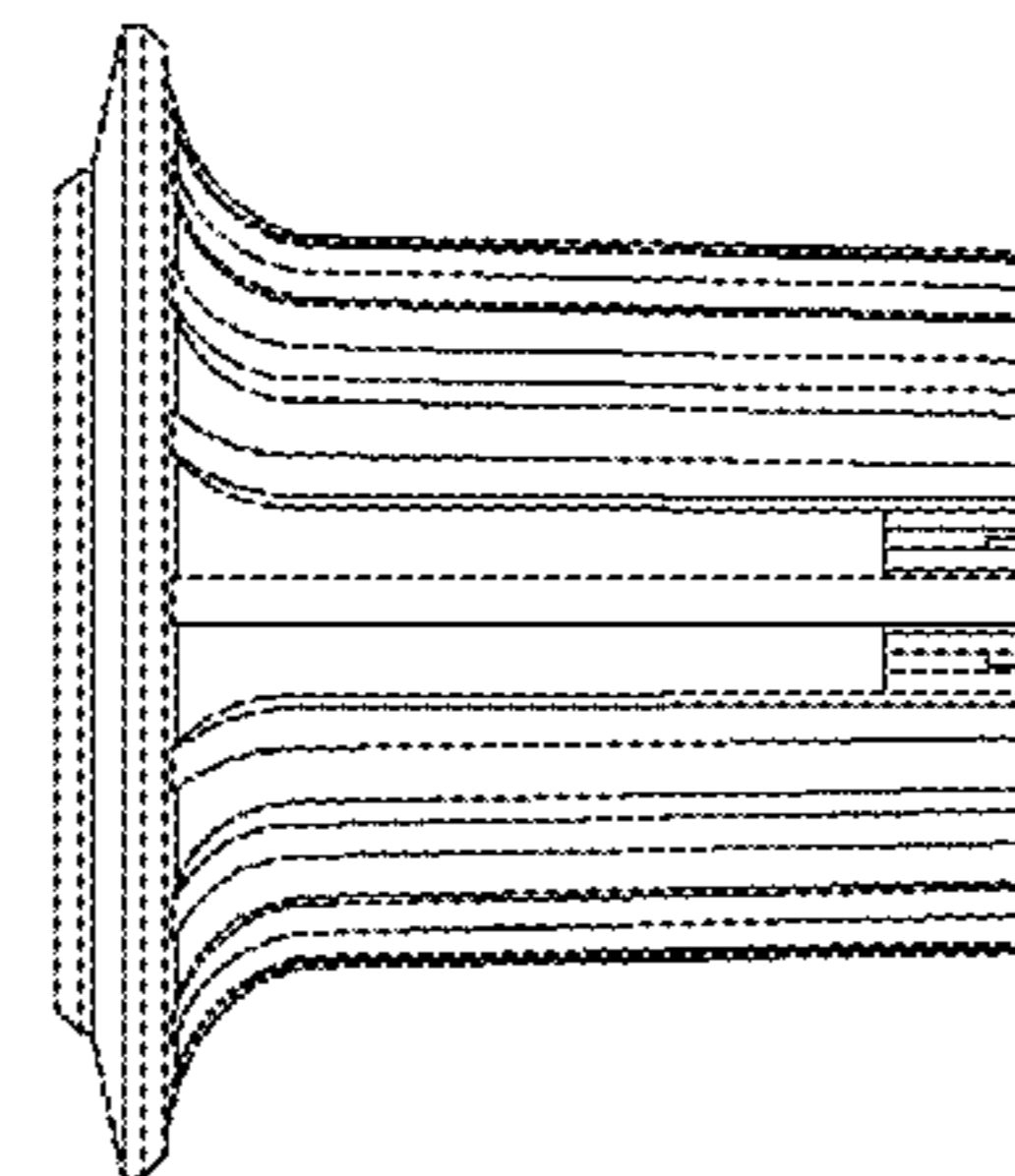
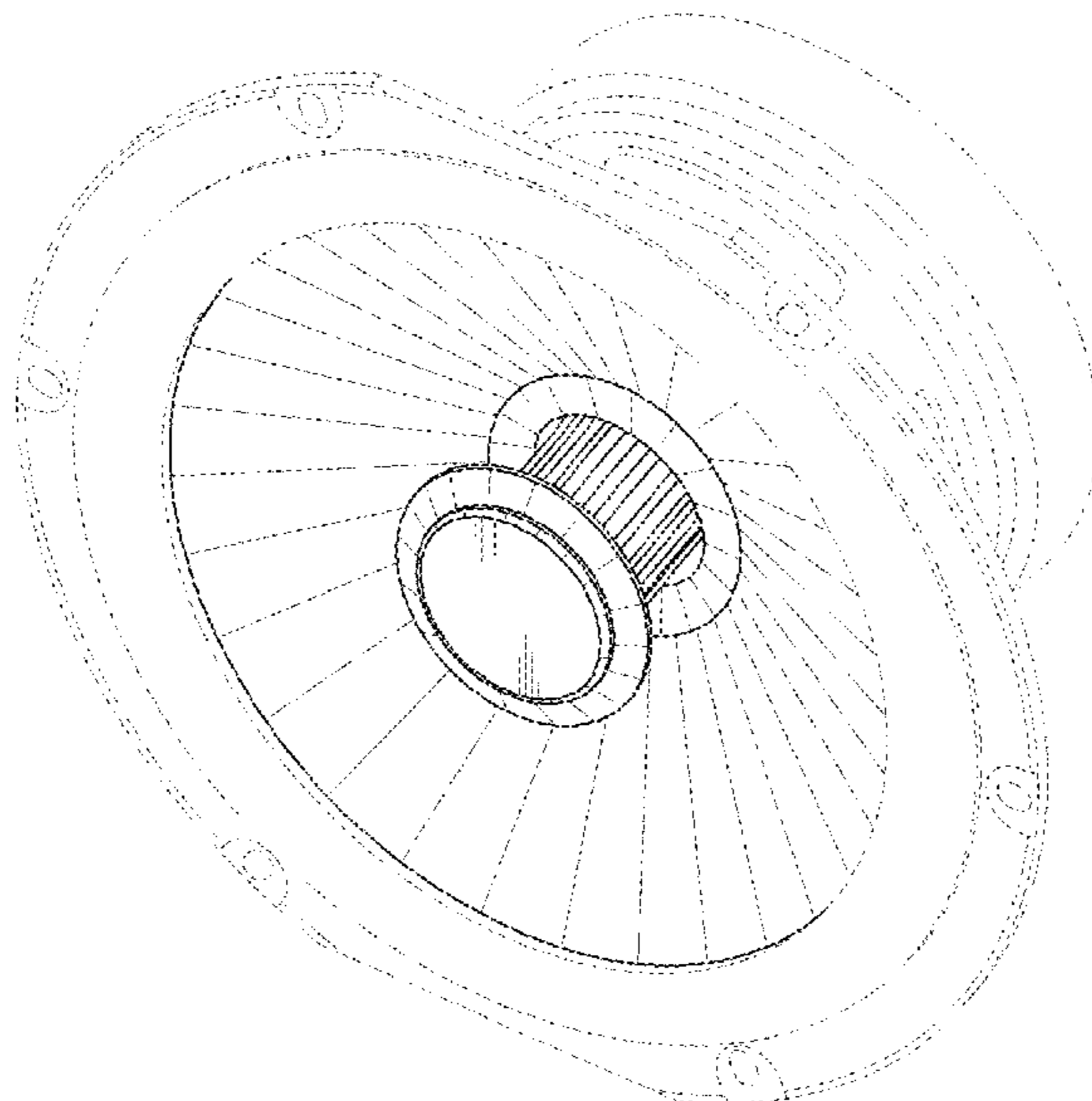


FIG. 1

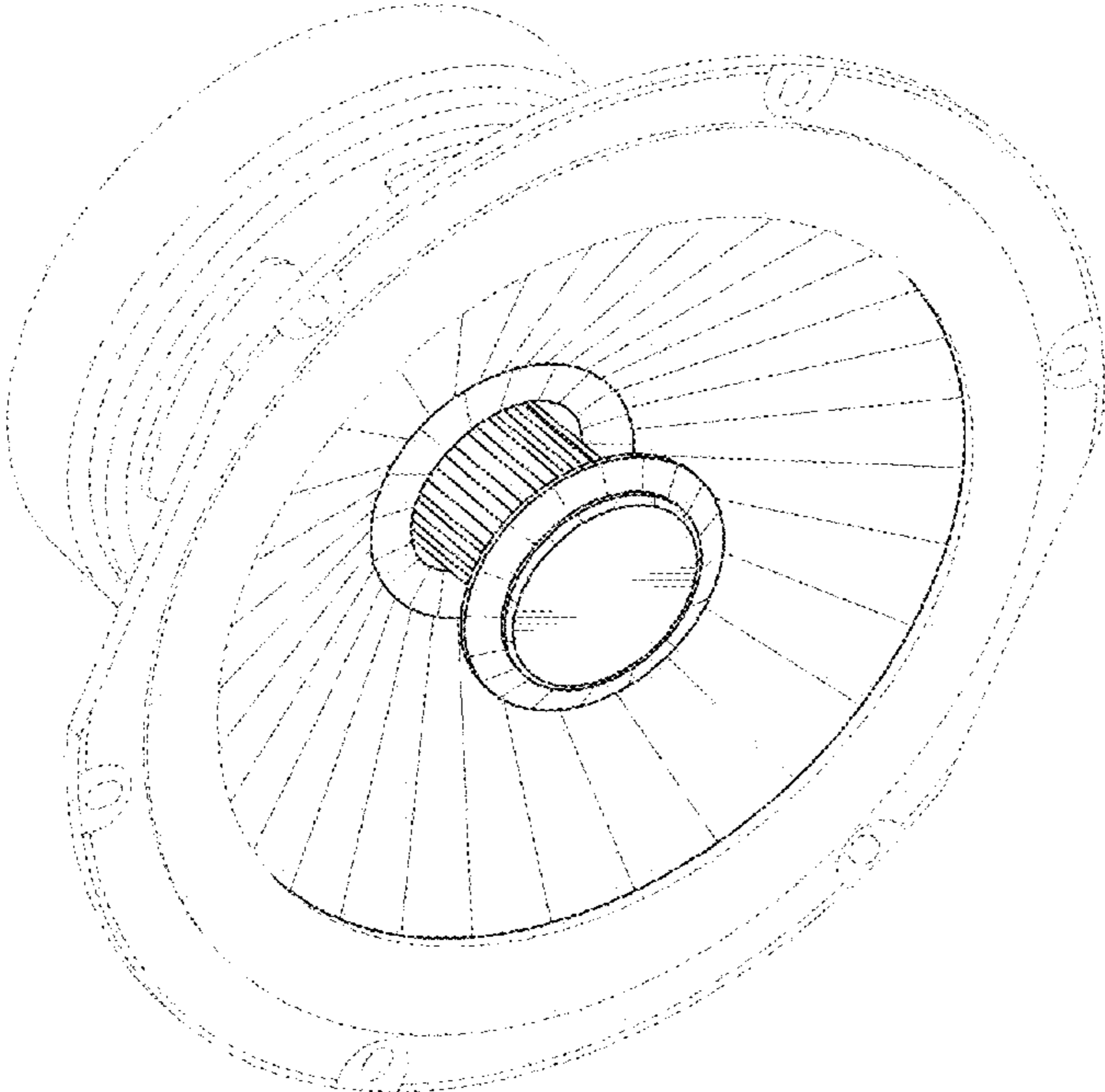


FIG. 2

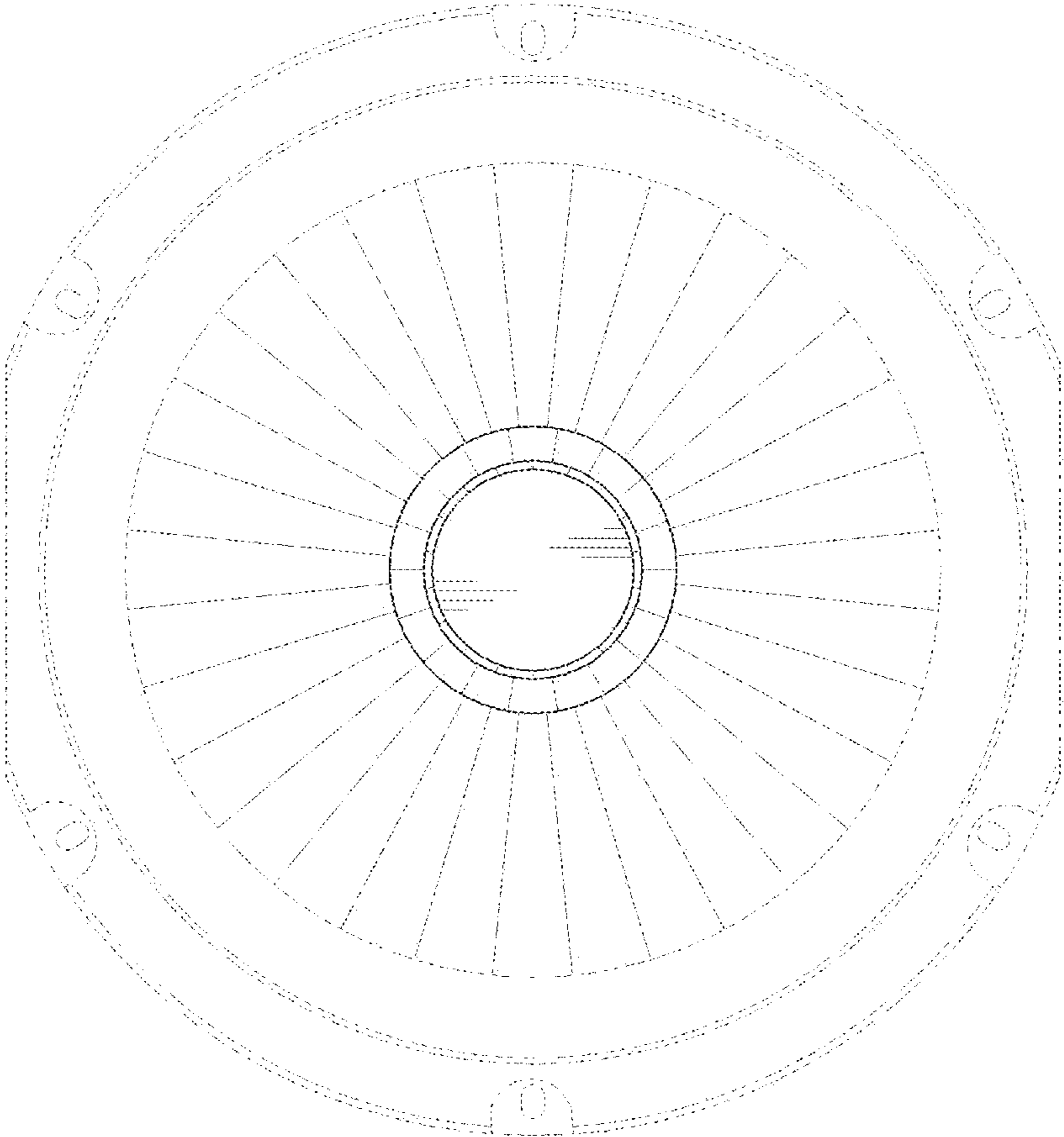


FIG. 3

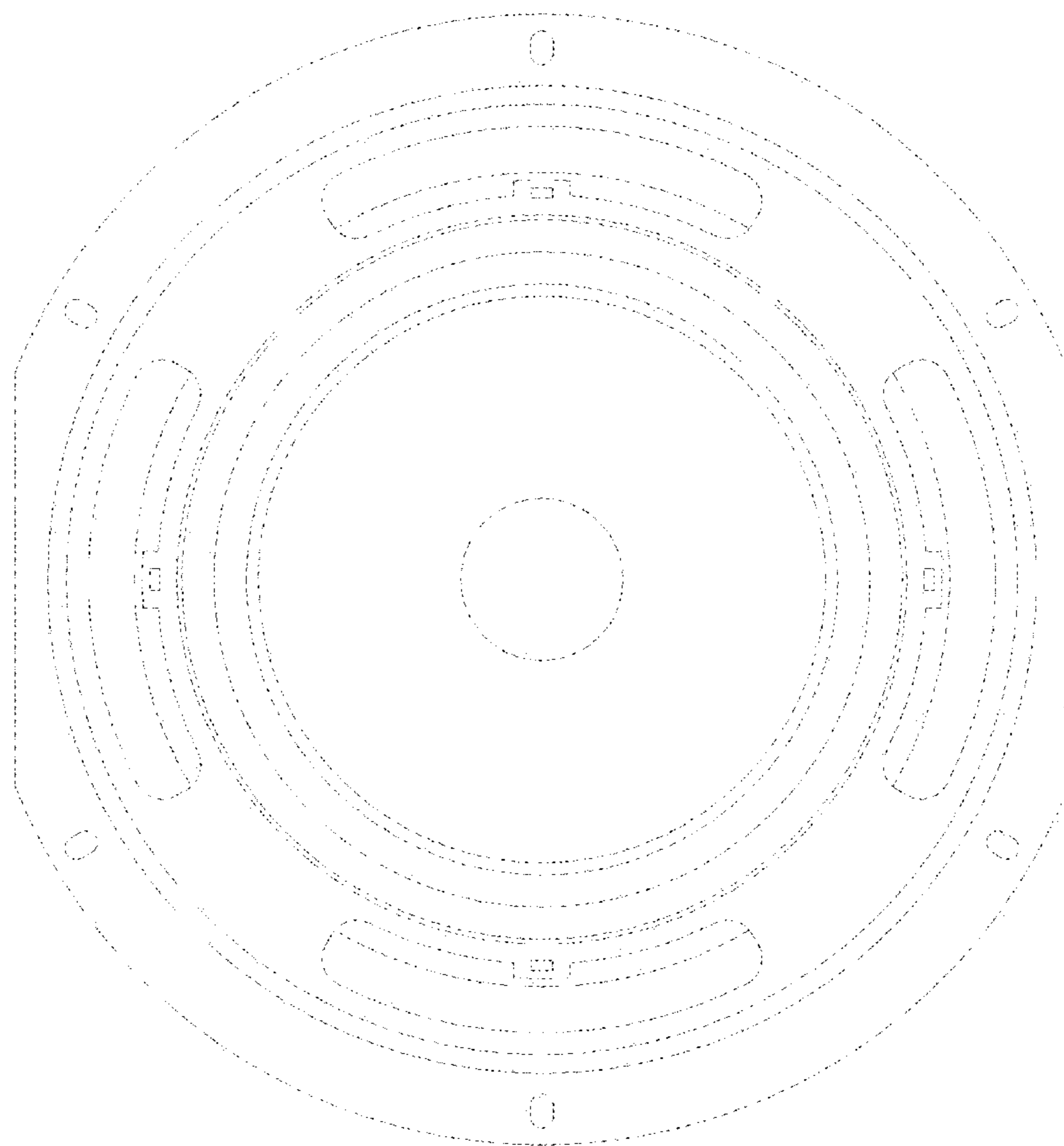


FIG. 4

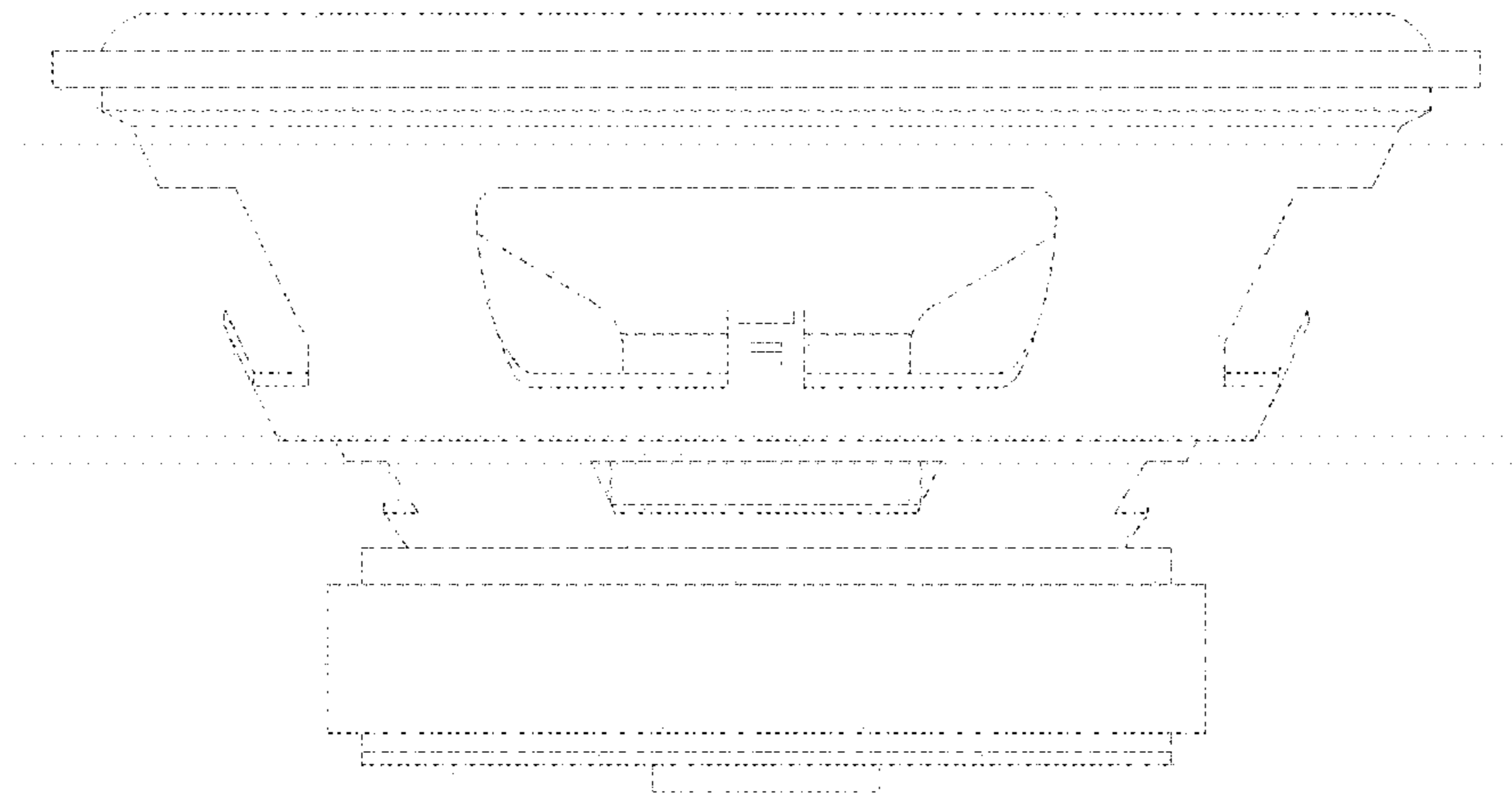


FIG. 5

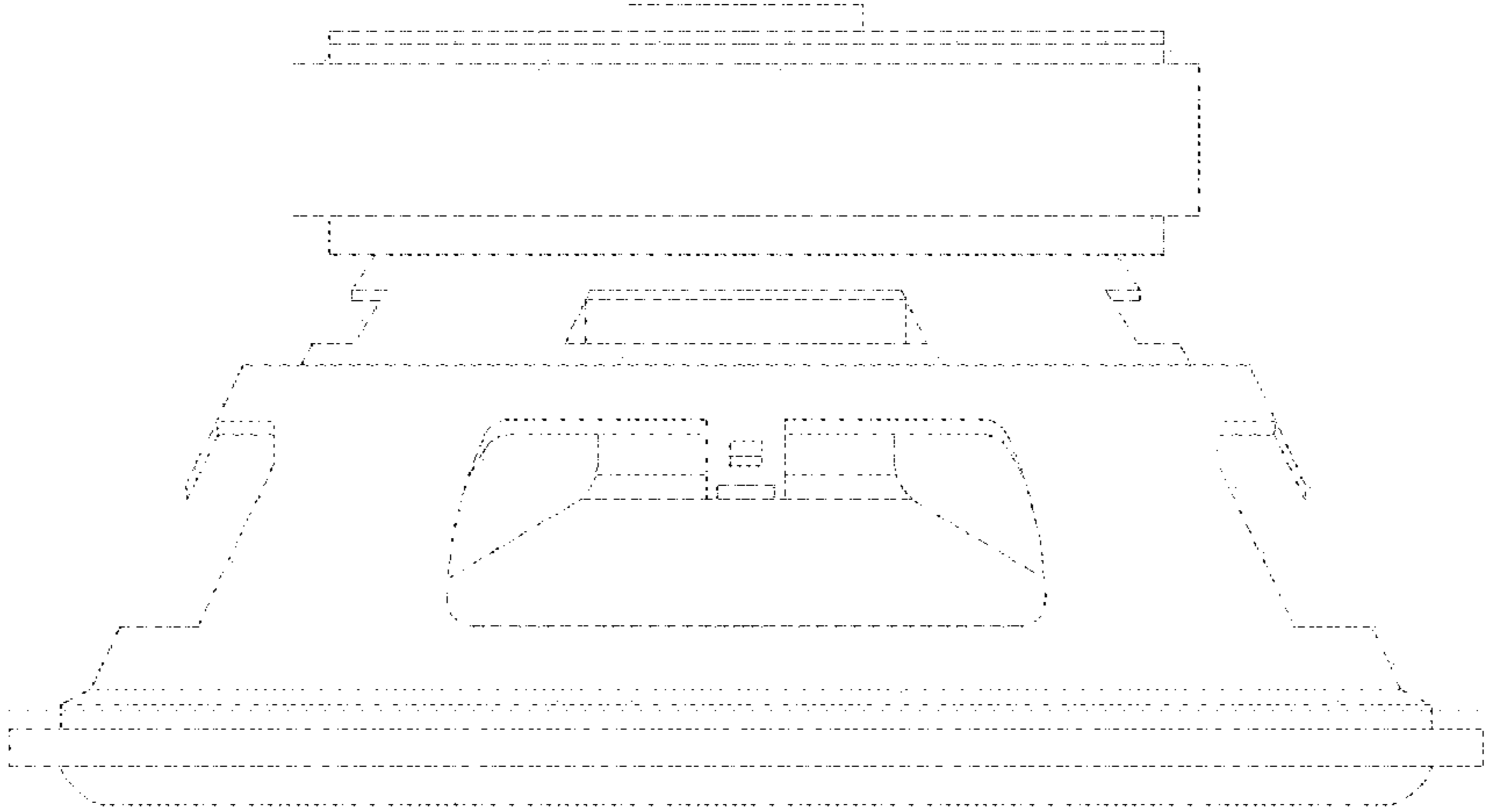


FIG. 6

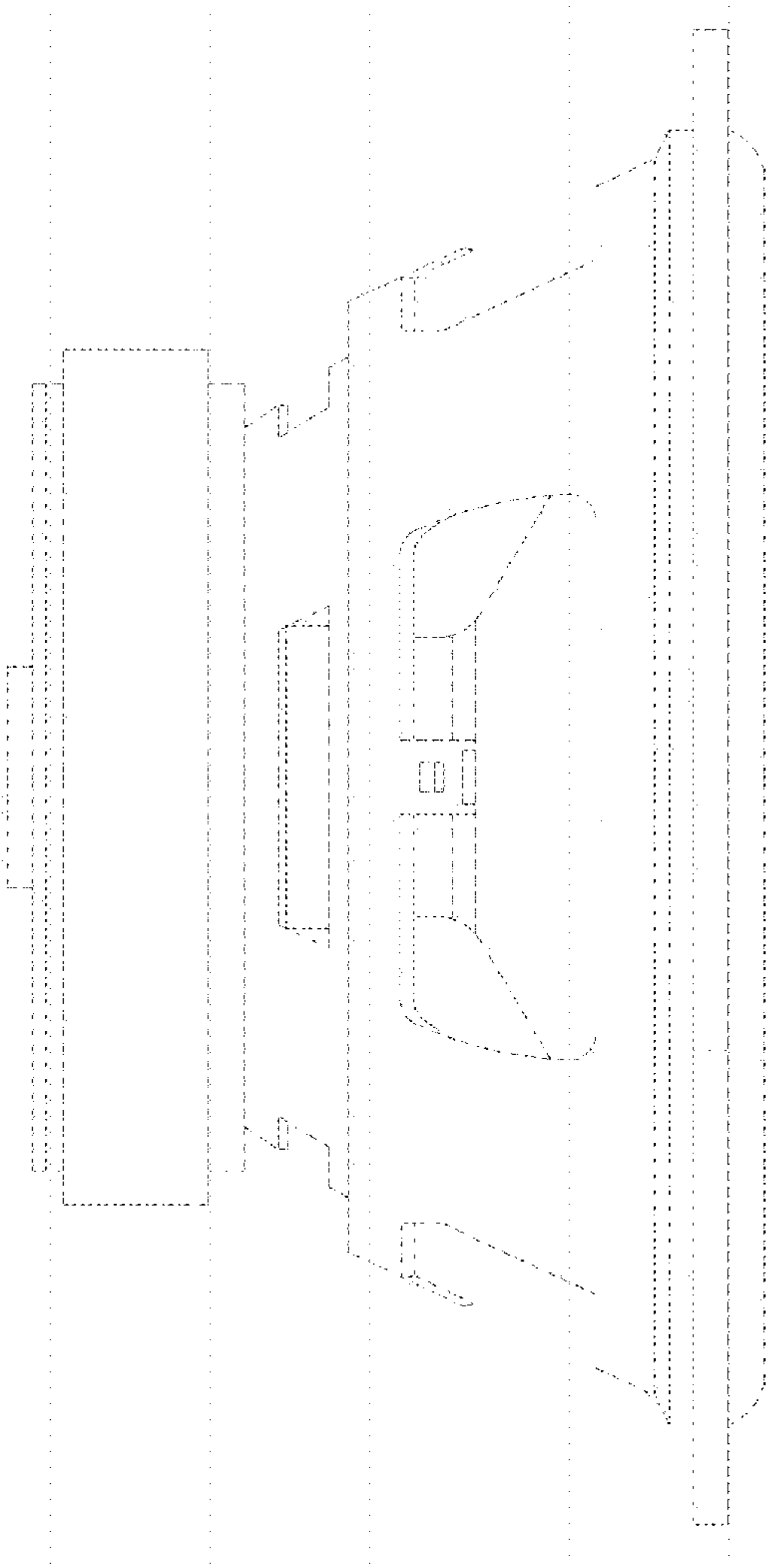


FIG. 7

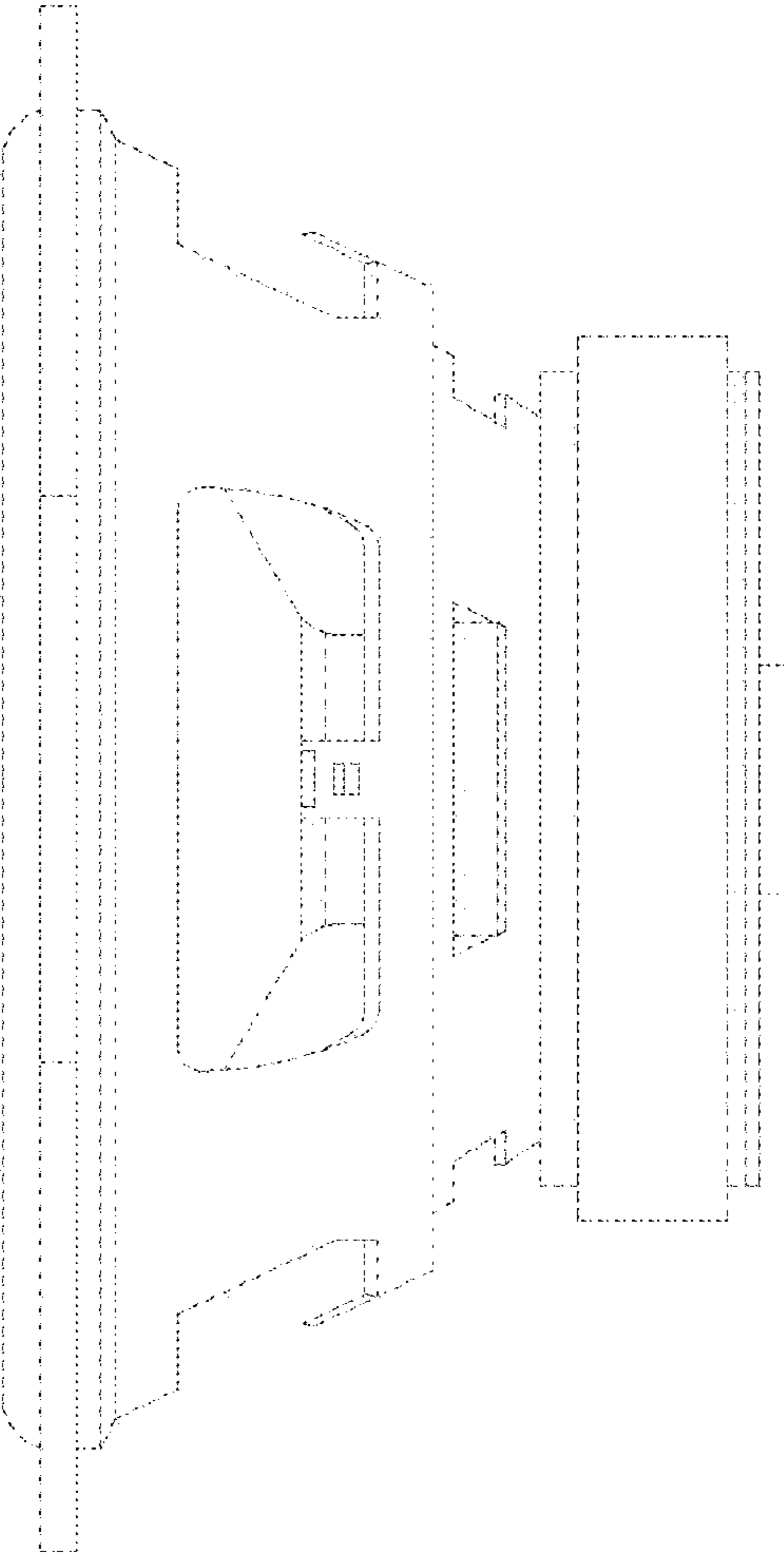




FIG. 8

