



US00D723009S

(12) **United States Design Patent**  
**Chang**

(10) **Patent No.:** **US D723,009 S**

(45) **Date of Patent:** **\*\* Feb. 24, 2015**

(54) **REMOTE CONTROL FOR TELEVISION**

(71) Applicant: **AmTran Technology Co., Ltd.**, New Taipei (TW)

(72) Inventor: **Chia-Hui Chang**, New Taipei (TW)

(73) Assignee: **AmTran Technology Co., Ltd.**, New Taipei (TW)

(\*\*) Term: **14 Years**

(21) Appl. No.: **29/478,090**

(22) Filed: **Dec. 31, 2013**

(51) **LOC (10) Cl.** ..... **14-03**

(52) **U.S. Cl.**  
USPC ..... **D14/218**

(58) **Field of Classification Search**  
USPC ..... D14/218; D13/168, 154, 162; 206/150;  
361/679.3; 348/211.99, 14.05, 114,  
348/734

See application file for complete search history.

(56) **References Cited**

**U.S. PATENT DOCUMENTS**

D389,838	S	*	1/1998	Brunner et al.	.....	D14/218
D416,560	S	*	11/1999	Tonino	.....	D14/218
D417,219	S	*	11/1999	Barrette et al.	.....	D14/218
D436,951	S	*	1/2001	Andresen	.....	D14/336
D495,674	S	*	9/2004	Yoo et al.	.....	D14/138 AB
D525,212	S	*	7/2006	Kim	.....	D13/162
D529,910	S	*	10/2006	Ota	.....	D14/374
D545,303	S	*	6/2007	Chang	.....	D14/218
D598,451	S	*	8/2009	Andre et al.	.....	D14/392
D605,635	S	*	12/2009	Edahiro et al.	.....	D14/218
D625,310	S	*	10/2010	Andre et al.	.....	D14/392
D633,093	S	*	2/2011	Andre et al.	.....	D14/392
D643,842	S	*	8/2011	Marshall et al.	.....	D14/434
D647,884	S	*	11/2011	Moon et al.	.....	D14/218
D647,885	S	*	11/2011	Choi et al.	.....	D14/218

D649,941	S	*	12/2011	Lee et al.	.....	D13/168
D654,476	S	*	2/2012	Weitgasser	.....	D14/218
D669,885	S	*	10/2012	Kim et al.	.....	D14/218
8,289,688	B2	*	10/2012	Behar et al.	.....	361/679.3
D671,919	S	*	12/2012	Kim et al.	.....	D14/218
D676,048	S	*	2/2013	McManigal et al.	.....	D14/392
D697,497	S	*	1/2014	Lai	.....	D14/218
D707,211	S	*	6/2014	Ho et al.	.....	D14/240
2007/0241002	A1	*	10/2007	Wu et al.	.....	206/150

**OTHER PUBLICATIONS**

Magic Remote With Qwerty Keyboard , Announced Oct. 19, 2012,[  
Site Visited Nov. 3, 2014]http://www.lg.com/us/support/answers/  
tvs/google/your-remote.\*

GX1200V Hisense Remote, Announced Oct. 25, 2013, [Site Visited  
Nov. 3, 2014]http://remotebarn.us/home-product/gx1200v-hisense-  
remote.html.\*

\* cited by examiner

*Primary Examiner* — John Windmuller

*Assistant Examiner* — Luqman McNeil

(74) *Attorney, Agent, or Firm* — Muncy, Geissler, Olds &  
Lowe, P.C.

(57) **CLAIM**

The ornamental design for a “remote control for television,”  
as shown and described.

**DESCRIPTION**

FIG. 1 is a perspective view of remote control for television  
showing our new design;

FIG. 2 is another perspective view of remote control for  
television showing our new design;

FIG. 3 is a front view thereof;

FIG. 4 is a rear view thereof;

FIG. 5 is a left side elevational view thereof;

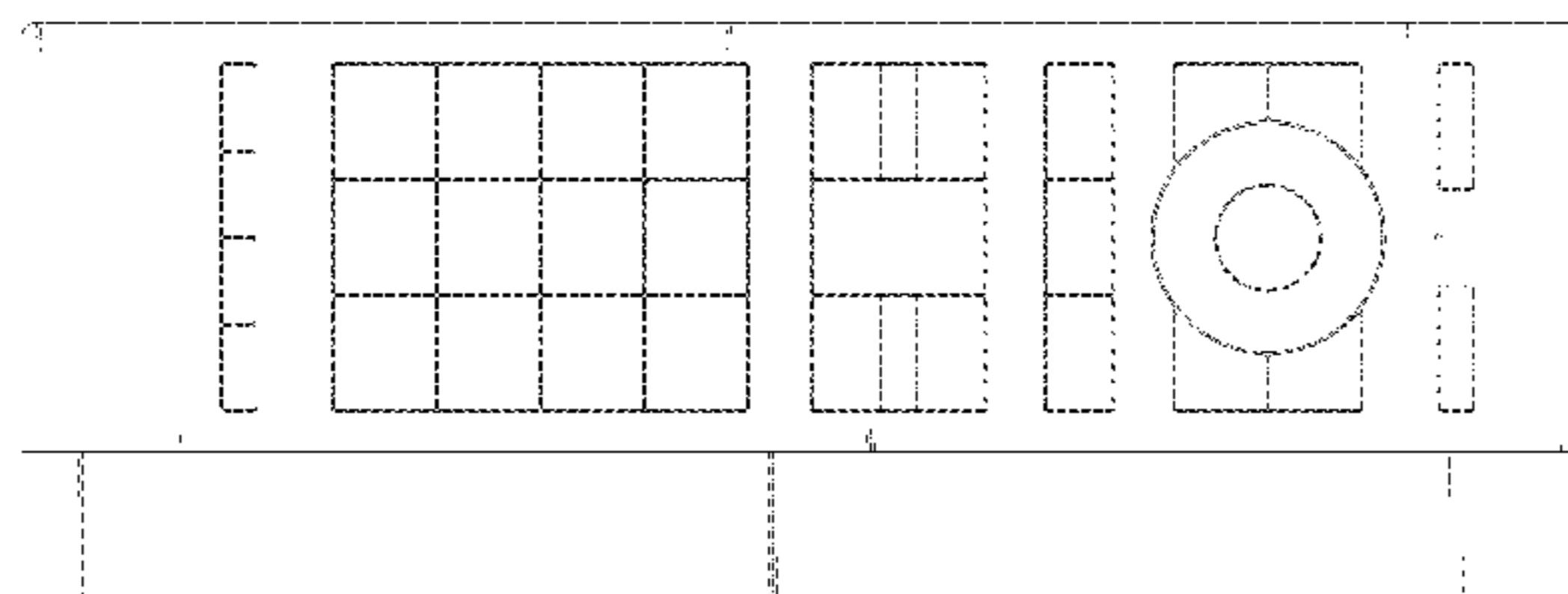
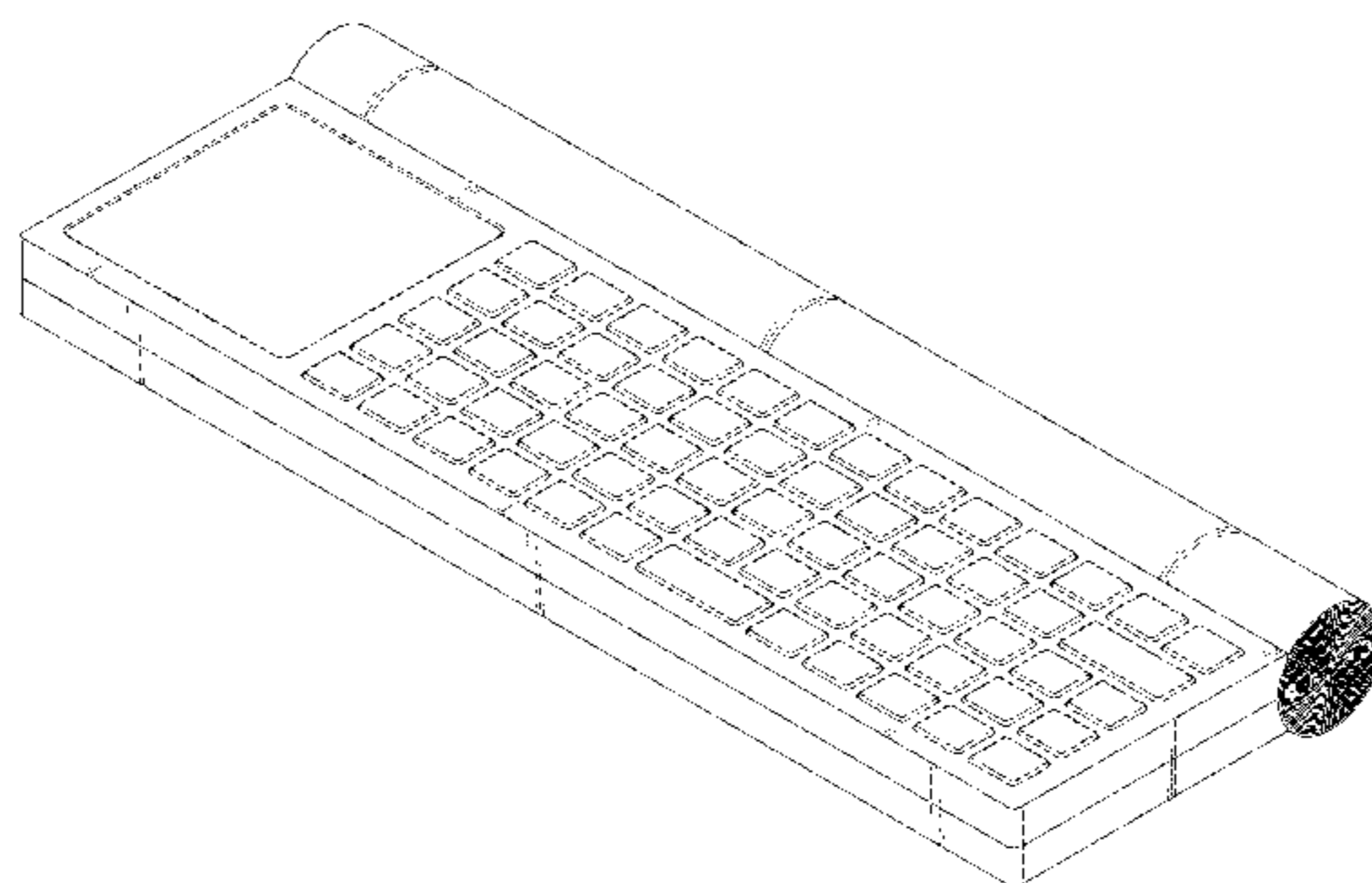
FIG. 6 is a right side elevational view thereof;

FIG. 7 is a top view thereof; and,

FIG. 8 is a bottom view thereof.

The broken lines in the figures depict portions of the remote  
control for television that form no part of the claimed design.

**1 Claim, 5 Drawing Sheets**



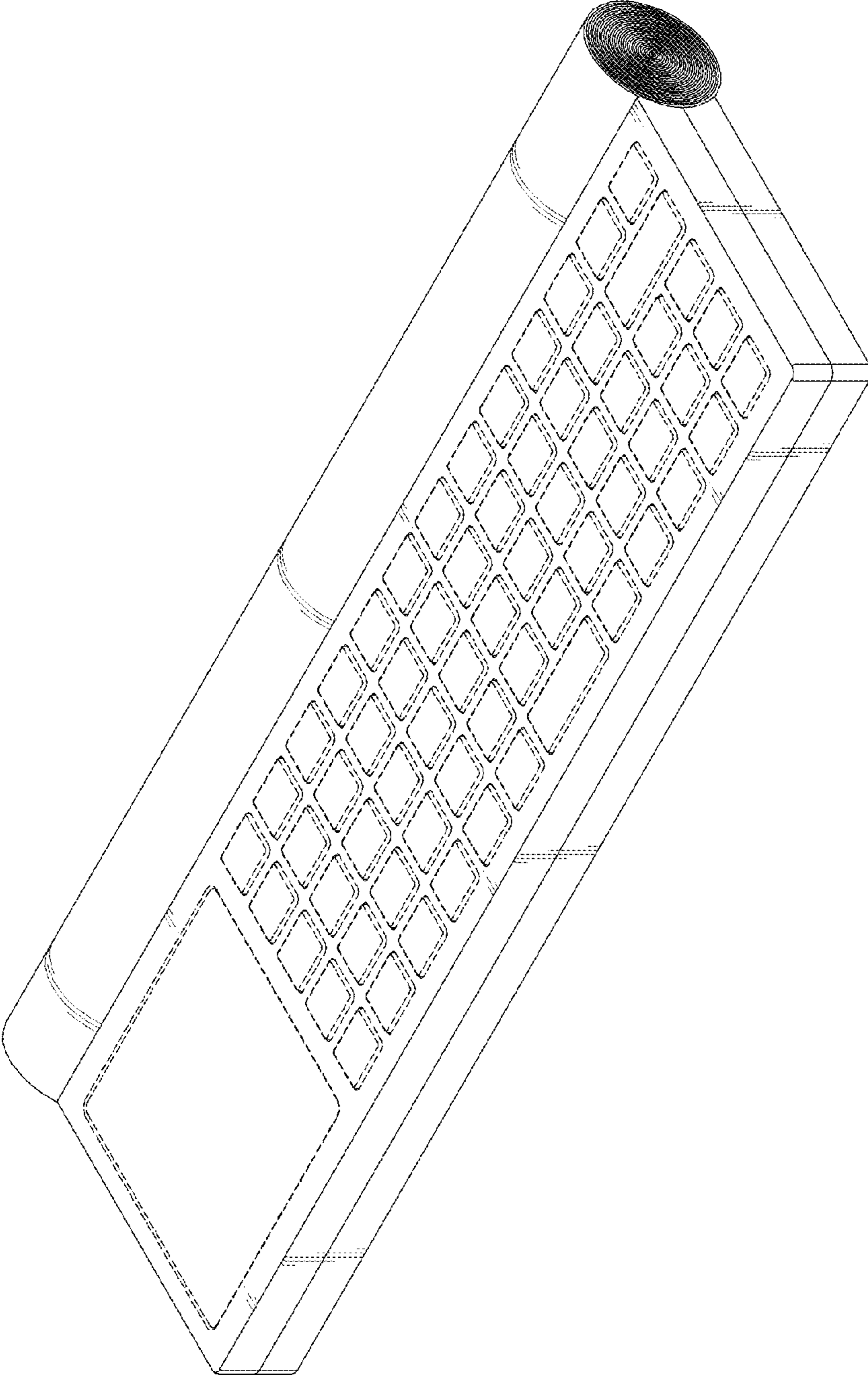


FIG. 1

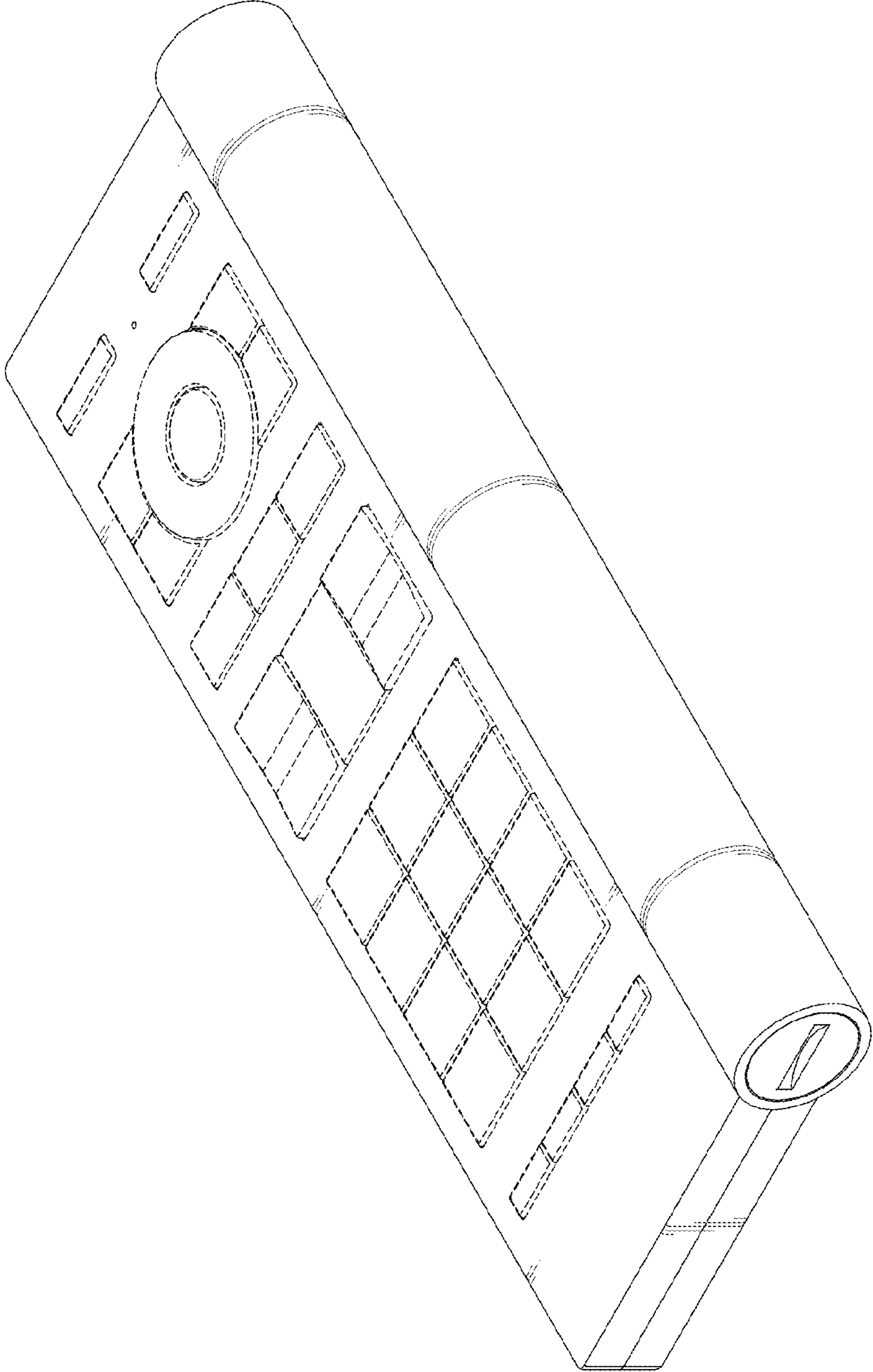


FIG.2

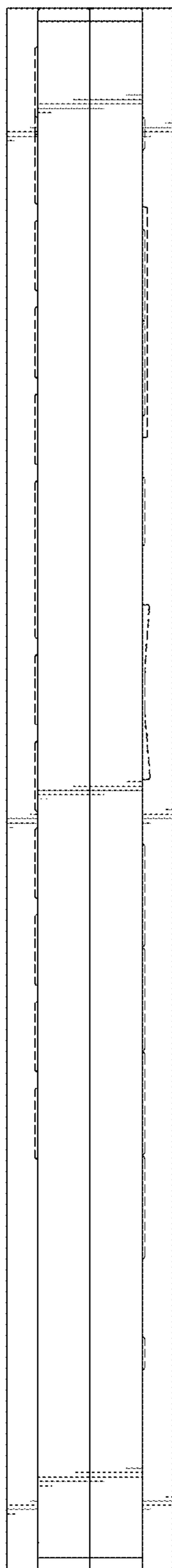


FIG. 3

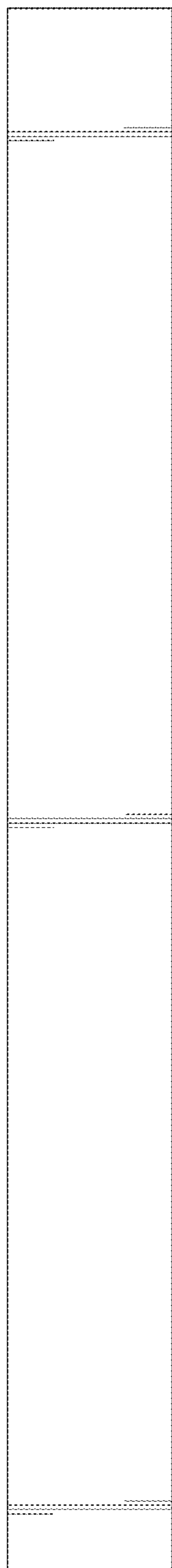


FIG. 4

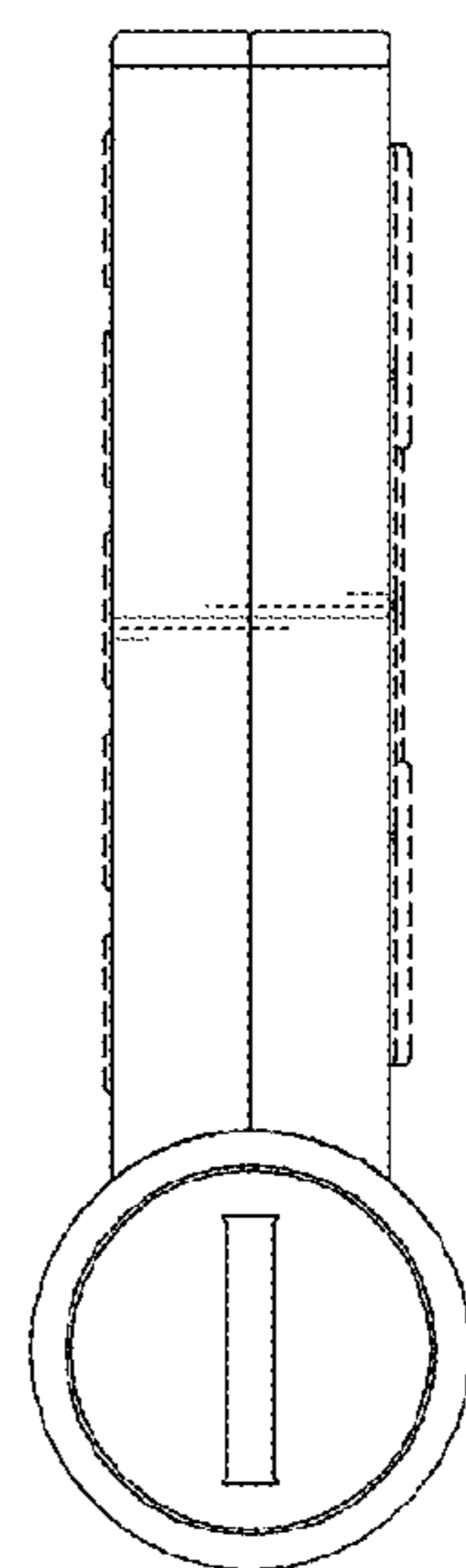


FIG. 5

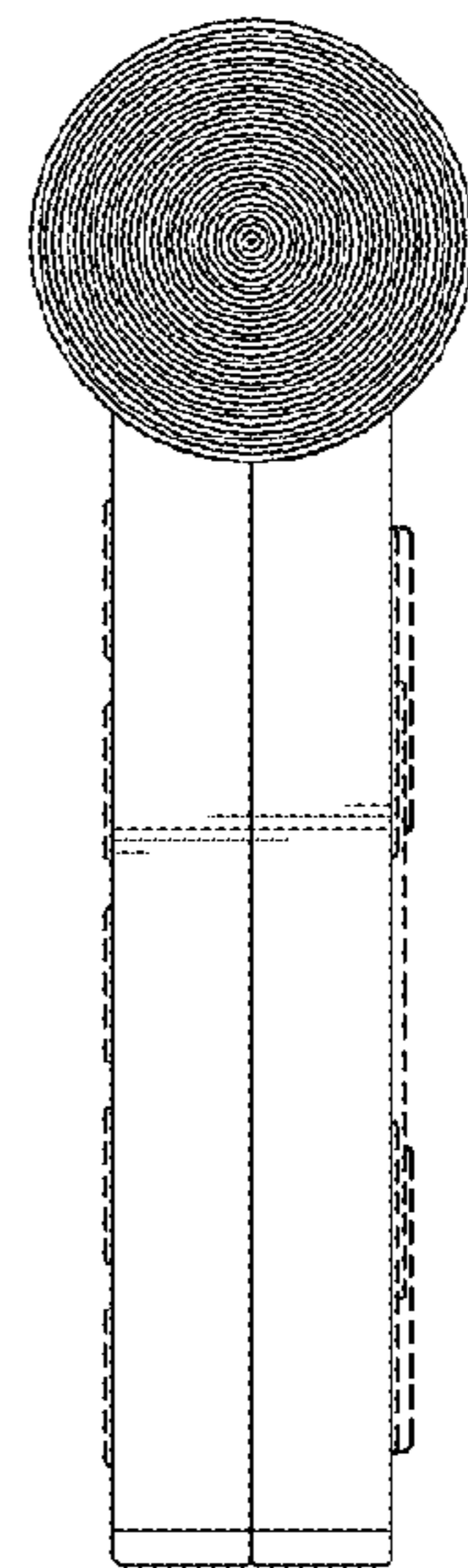


FIG. 6



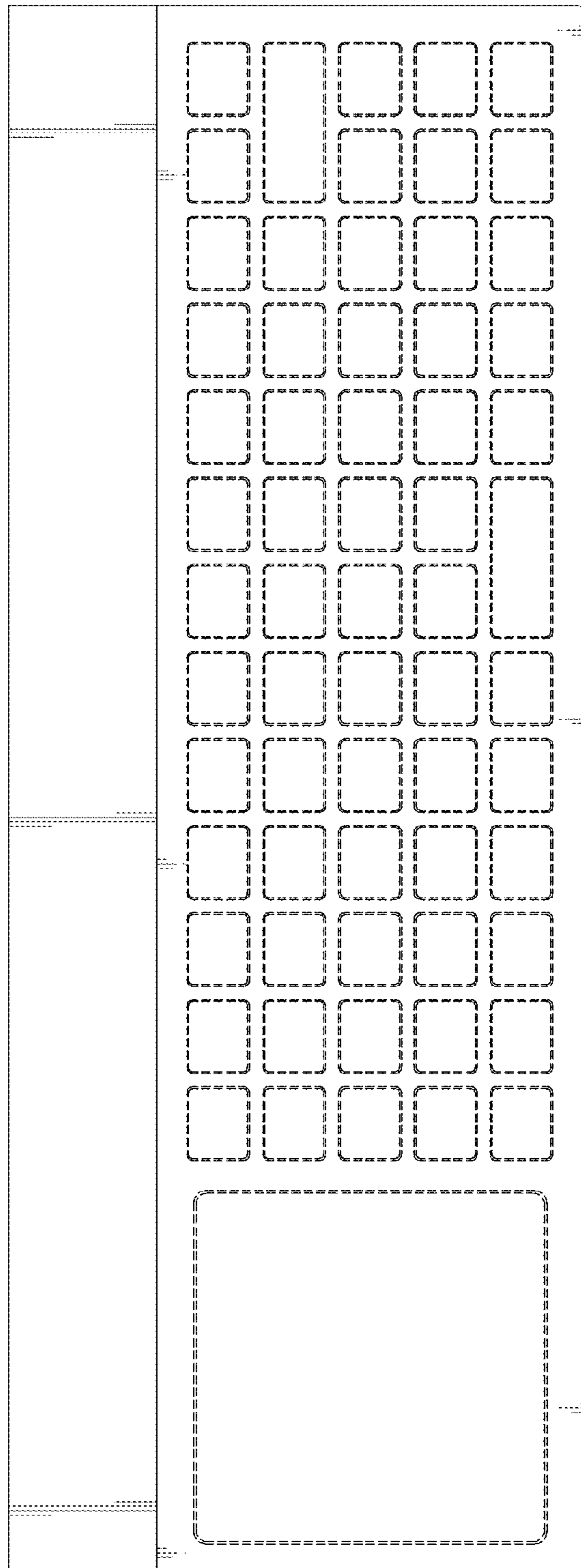


FIG. 7

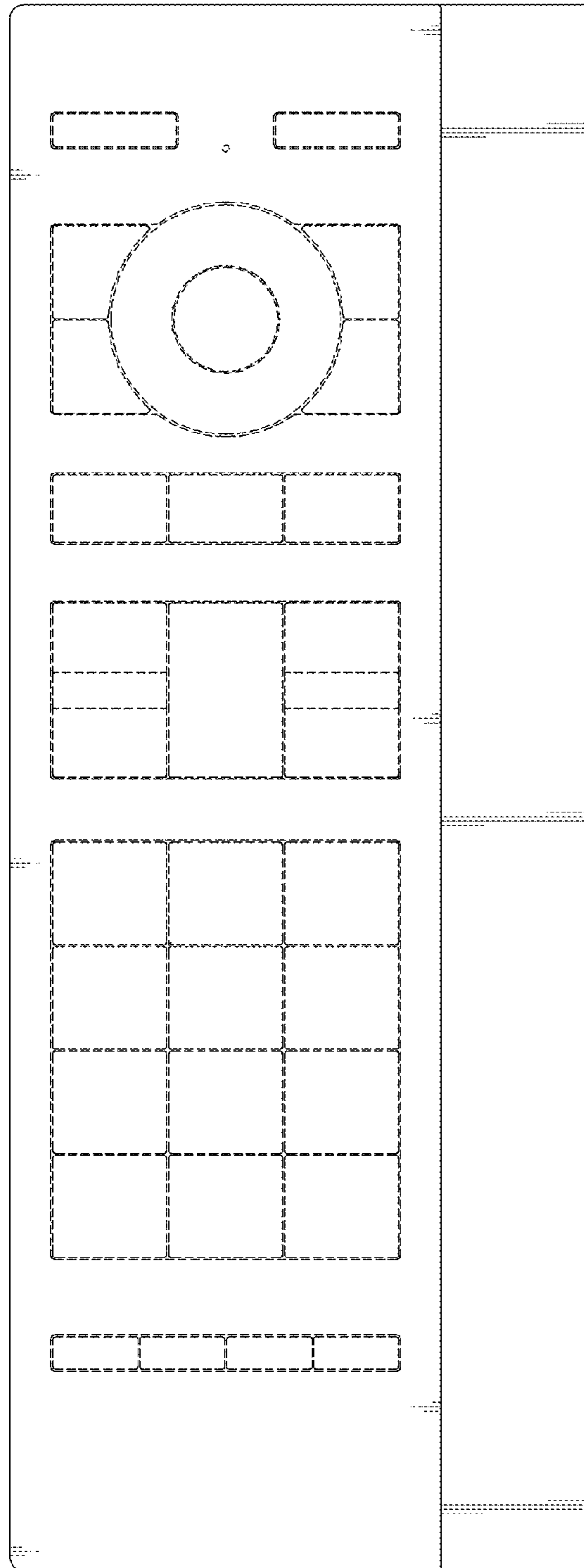


FIG. 8