



US00D723006S

(12) **United States Design Patent**
Pat

(10) **Patent No.:** **US D723,006 S**
(45) **Date of Patent:** **** Feb. 24, 2015**

(54) **SIDE CHEEK OF AN AUDIO MIXING BOARD**

(71) Applicant: **Harman International Industries, Incorporated**, Northridge, CA (US)

(72) Inventor: **Andrew Pat**, Hertfordshire (GB)

(73) Assignee: **Harman International Industries, Incorporated**, Northridge, CA (US)

(**) Term: **14 Years**

(21) Appl. No.: **29/483,951**

(22) Filed: **Mar. 4, 2014**

(51) **LOC (10) Cl.** **14-03**

(52) **U.S. Cl.**
USPC **D14/217**

(58) **Field of Classification Search**
USPC D14/162, 167, 168, 175, 188, 196-198,
D14/217, 257, 258, 388, 496; D13/163,
D13/164; 84/625, 660, 697; 381/119;
455/350

See application file for complete search history.

(56) **References Cited**

U.S. PATENT DOCUMENTS

D554,623 S * 11/2007 Wussler et al. D14/217
D588,580 S * 3/2009 Chisholm et al. D14/217
D609,218 S * 2/2010 Ito D14/217
D630,617 S * 1/2011 Ayres et al. D14/217

D643,410 S * 8/2011 Blyth et al. D14/217
D643,411 S * 8/2011 Siegrist et al. D14/217
D647,880 S * 11/2011 Huber et al. D14/217
D680,519 S * 4/2013 Ito D14/217
D692,060 S * 10/2013 Lintz et al. D21/325
D692,414 S * 10/2013 Ito D14/217

* cited by examiner

Primary Examiner — Keli L Hill

(74) *Attorney, Agent, or Firm* — Plumsea Law Group, LLC

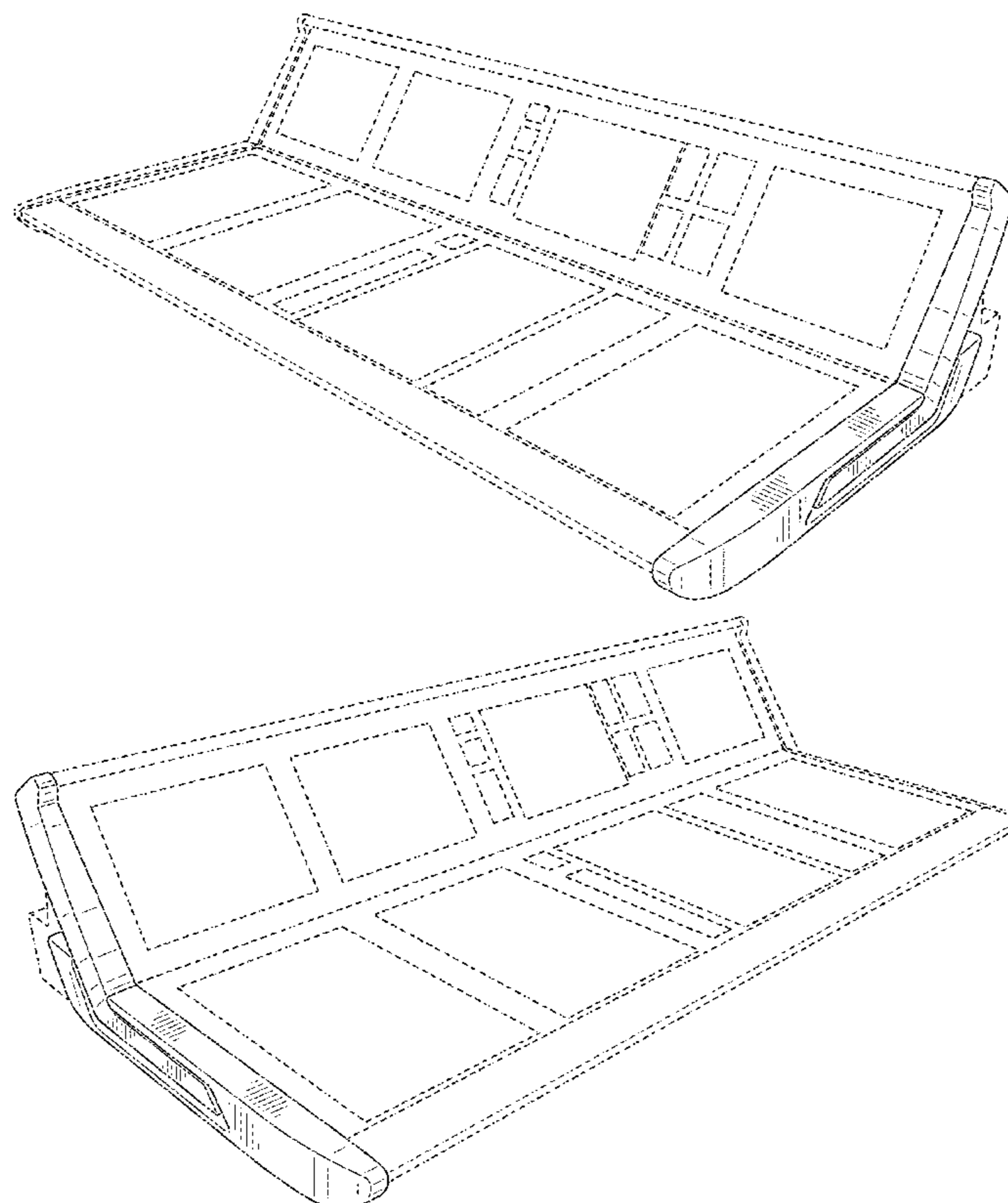
(57) **CLAIM**

The ornamental design for a side cheek of an audio mixing board, as shown and described.

DESCRIPTION

FIG. 1 is a side elevational view of the right-hand side cheek of an audio mixing board showing a first embodiment of my new design;
FIG. 2 is a perspective view thereof;
FIG. 3 is a top plan view thereof;
FIG. 4 is a front elevational view thereof;
FIG. 5 is a rear elevational view thereof;
FIG. 6 is a side elevational view of a left-hand side cheek of an audio mixing board showing a second embodiment of my new design;
FIG. 7 is a perspective view thereof;
FIG. 8 is a top plan view thereof;
FIG. 9 is a front elevational view thereof; and,
FIG. 10 is a rear elevational view thereof.
The broken line showings form no part of the claimed design.

1 Claim, 8 Drawing Sheets



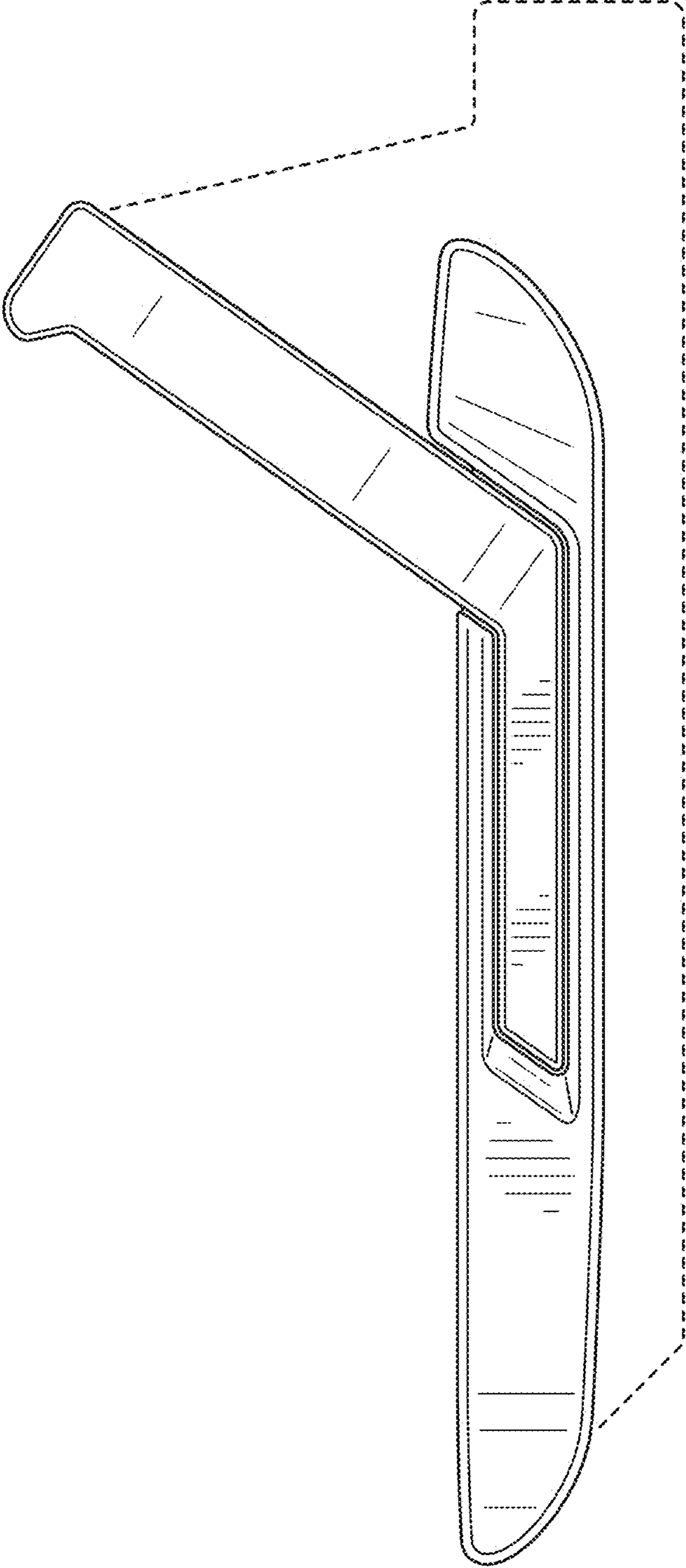


FIG. 1

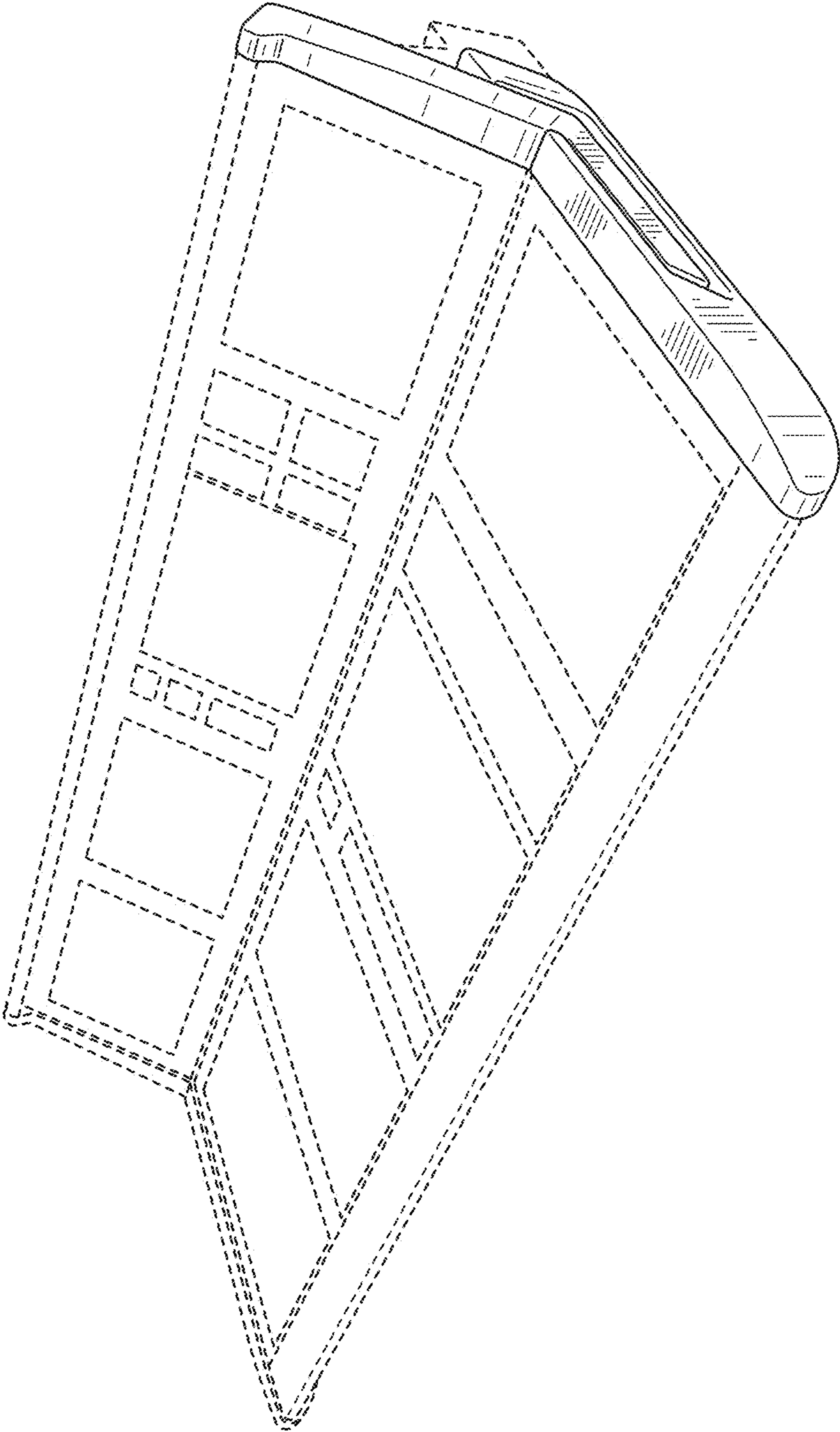


FIG. 2

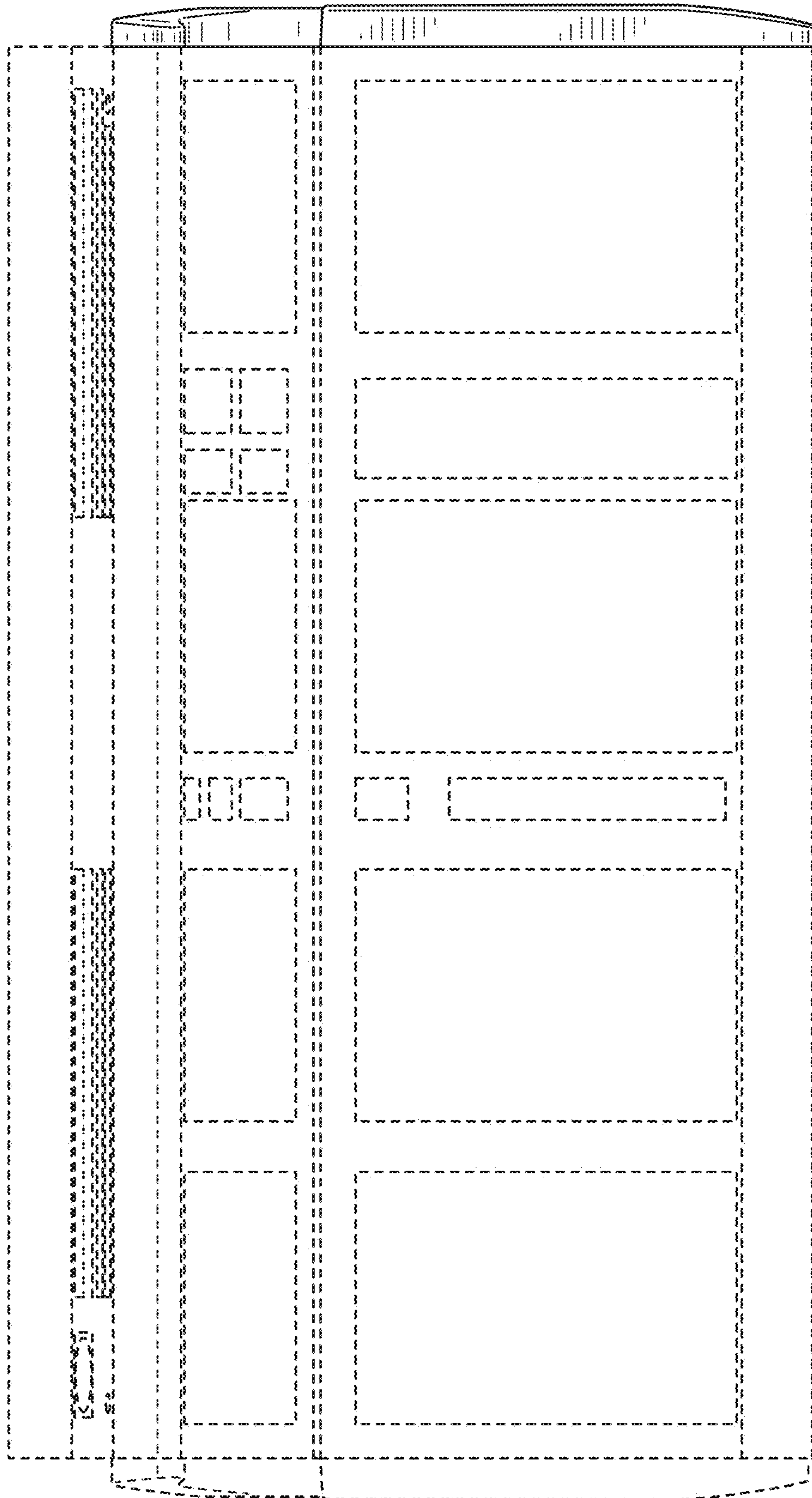


FIG. 3

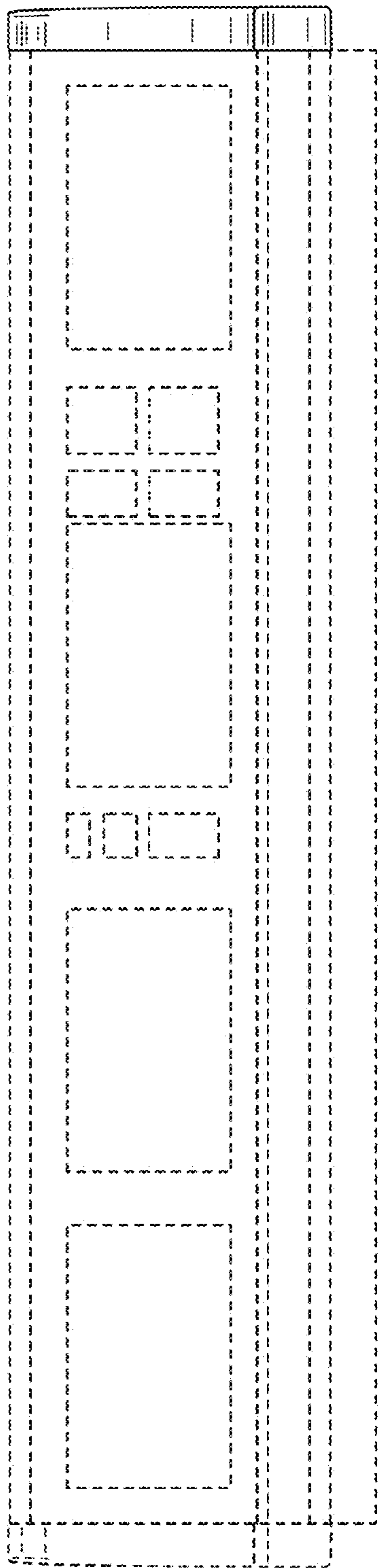


FIG. 4

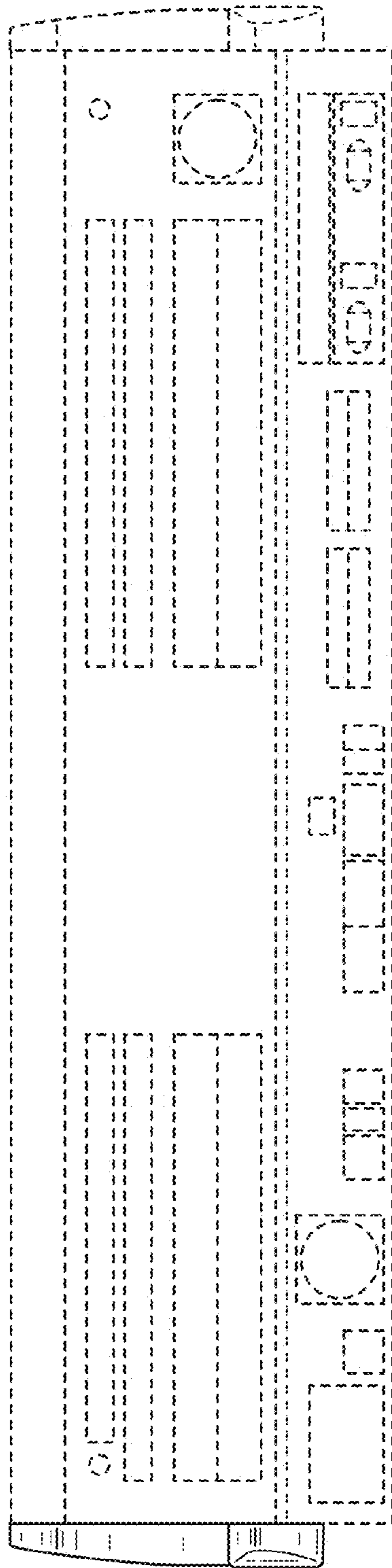


FIG. 5

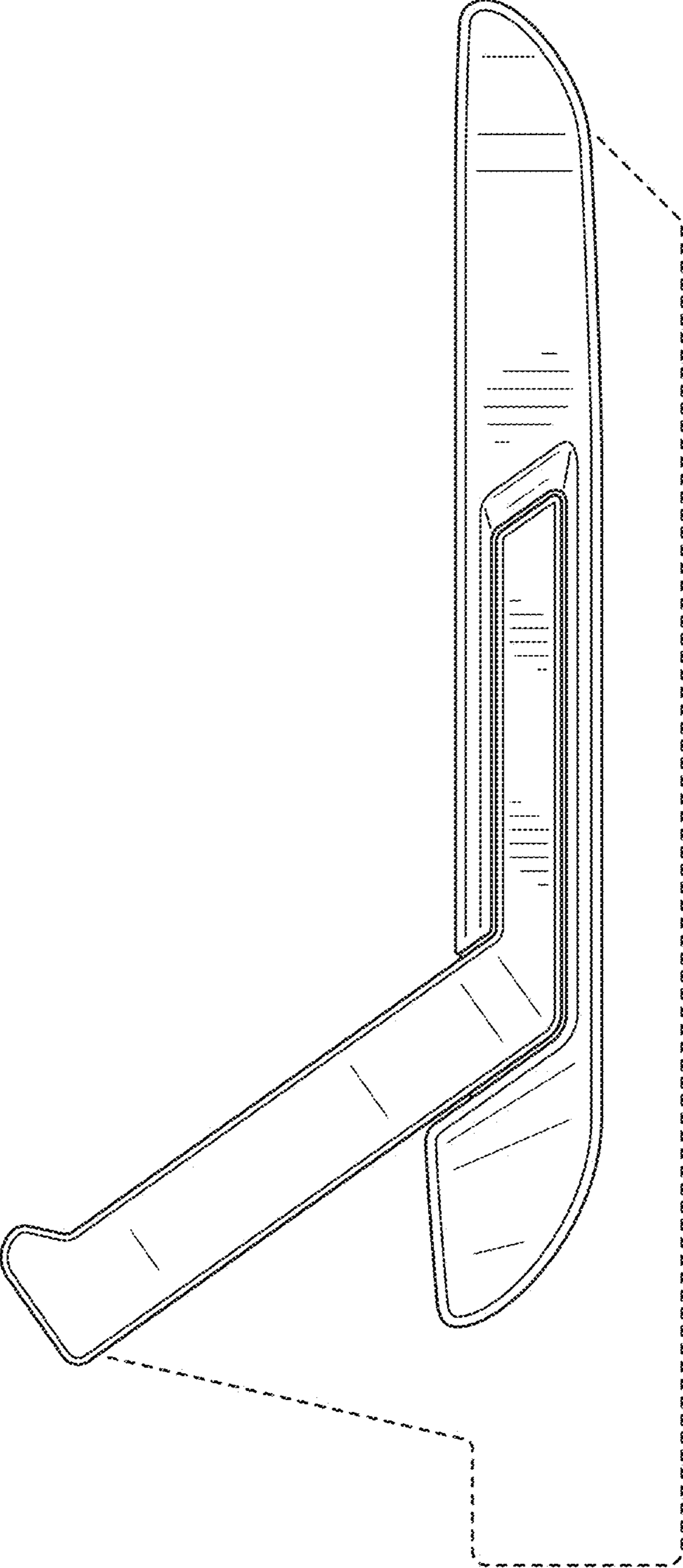


FIG. 6

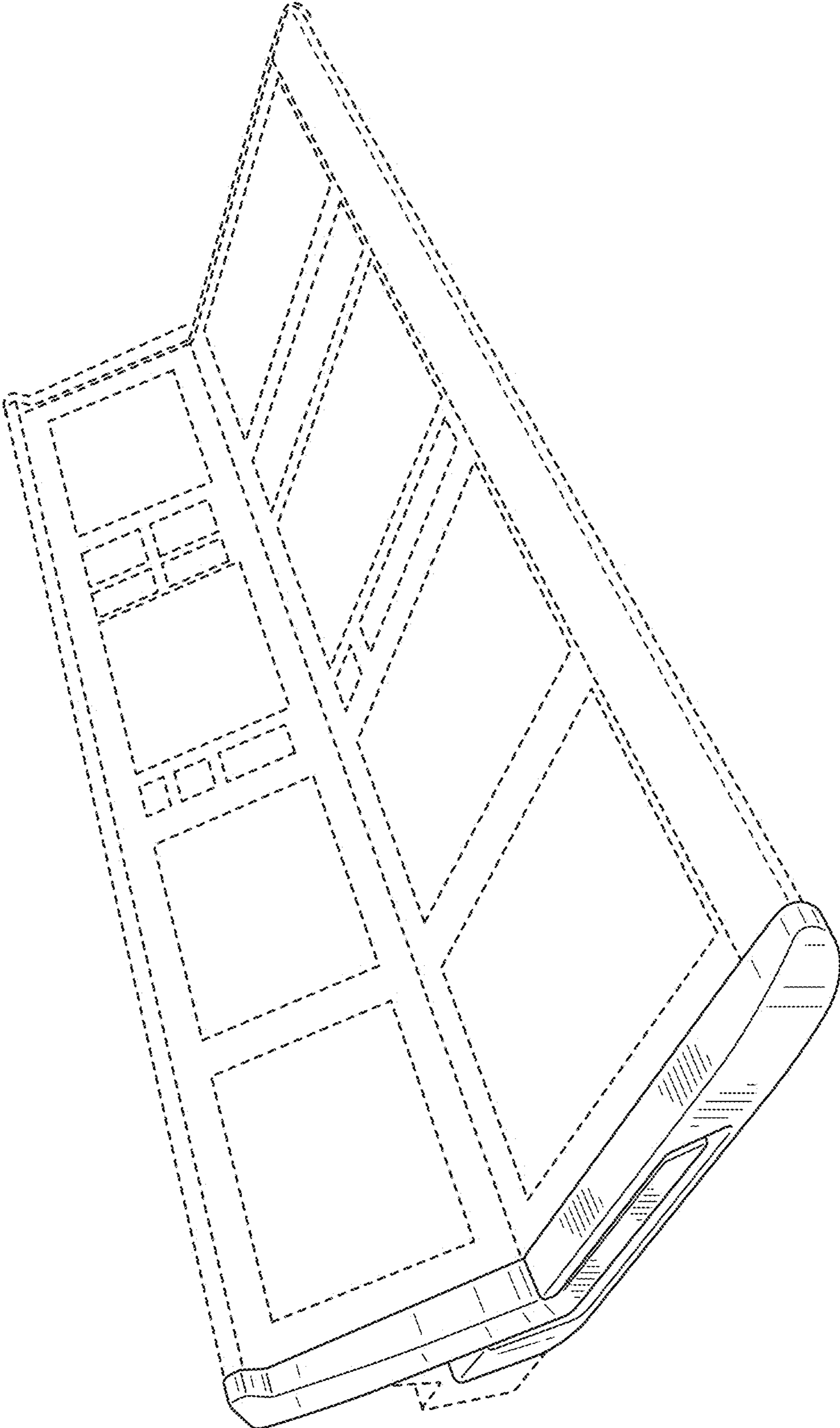


FIG. 7

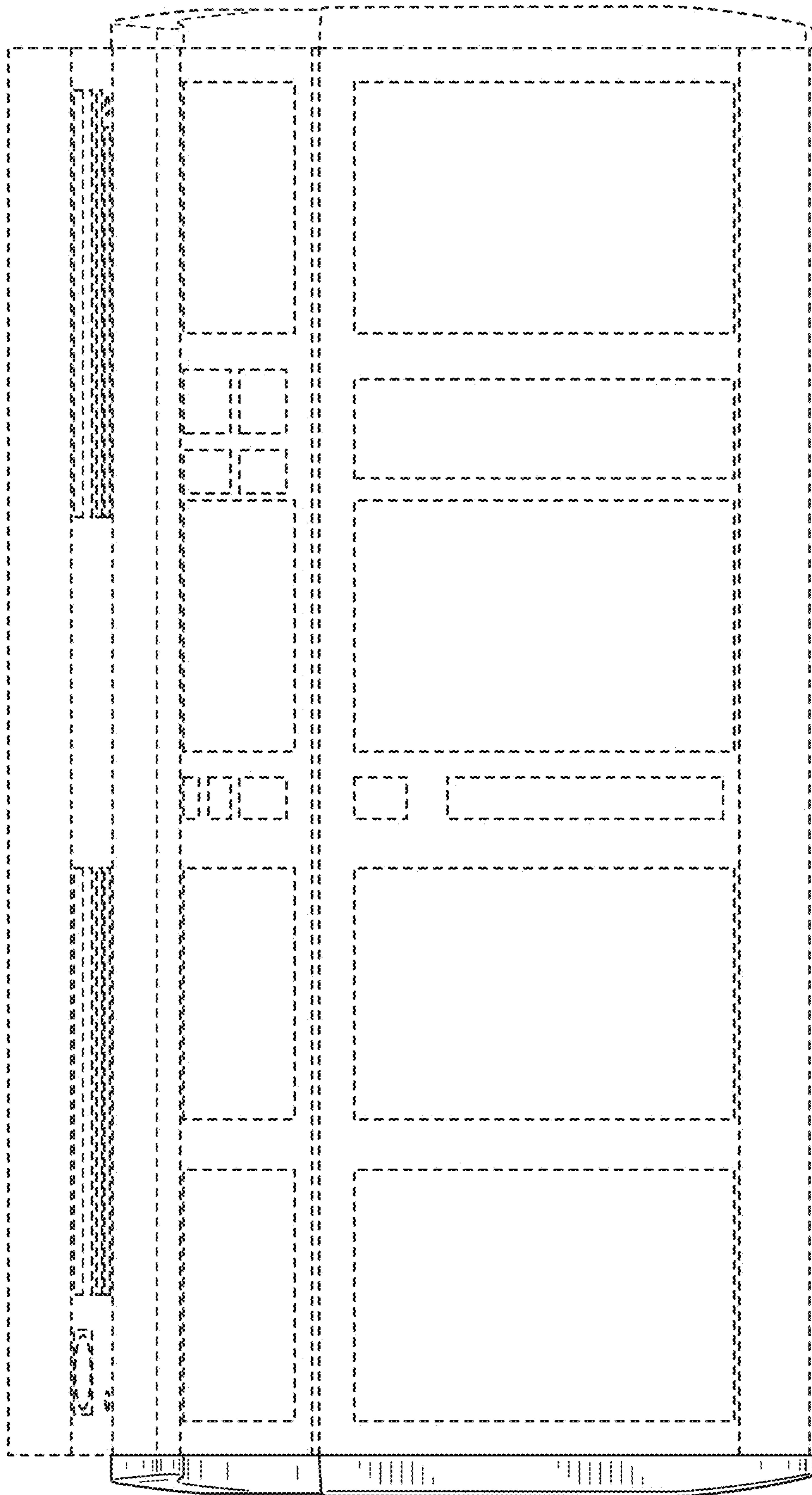


FIG. 8

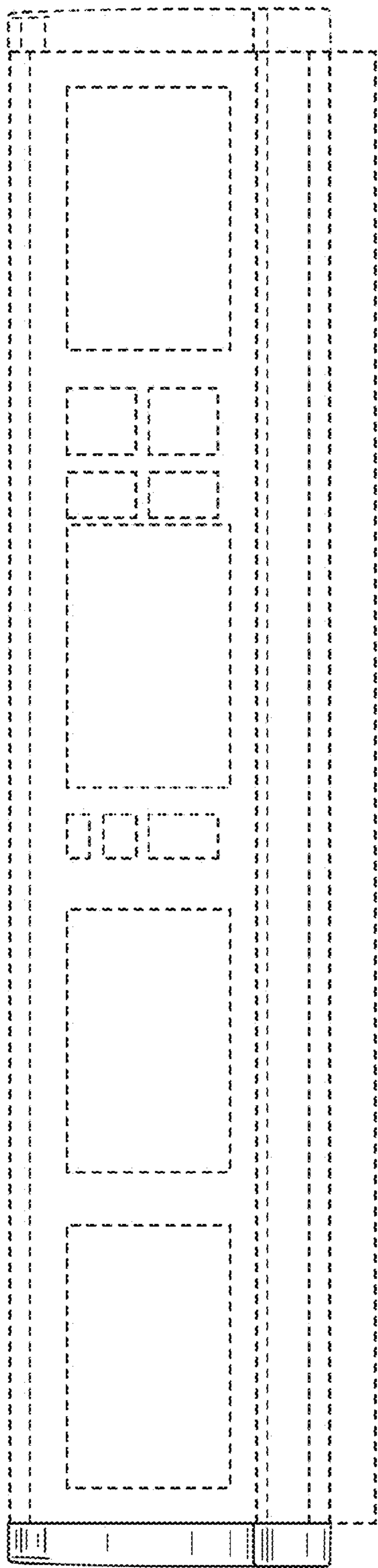


FIG. 9

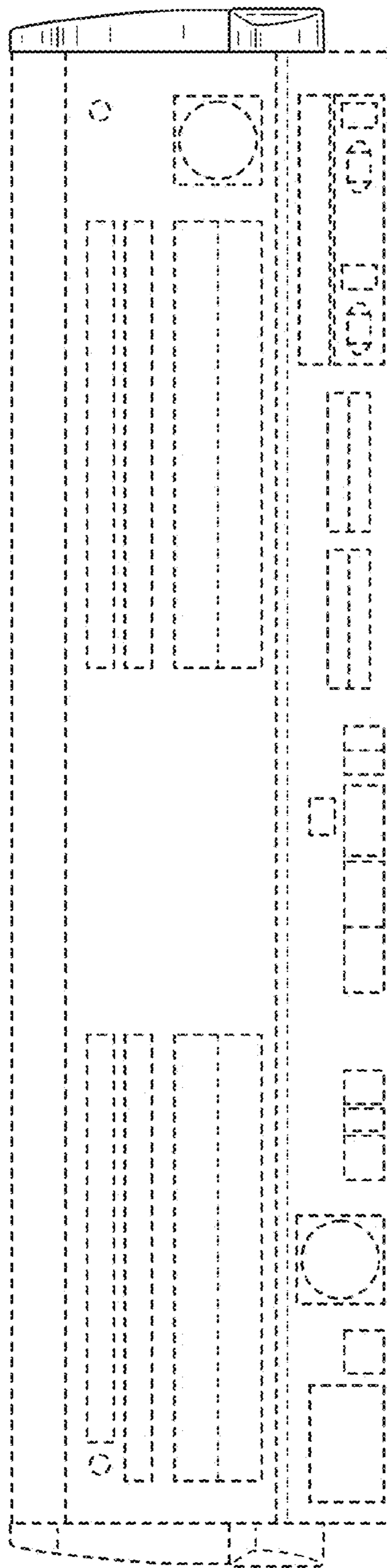


FIG. 10