



US00D723005S

(12) **United States Design Patent**  
**Ohashi**

(10) **Patent No.:** **US D723,005 S**

(45) **Date of Patent:** **\*\* Feb. 24, 2015**

(54) **SOUND QUALITY CONTROL APPARATUS**

D676,424 S \* 2/2013 Ohashi et al. .... D14/217  
D678,249 S \* 3/2013 Kuramoto ..... D14/217  
D689,486 S \* 9/2013 O'Donnell et al. .... D14/388

(71) Applicant: **Pioneer Corporation**, Kawasaki-shi,  
Kanagawa (JP)

**FOREIGN PATENT DOCUMENTS**

(72) Inventor: **Satoshi Ohashi**, Kawasaki (JP)

JP 1333697 S 6/2008  
JP 1413839 S 5/2011  
JP 1414161 S 5/2011  
JP 1443212 S 6/2012  
JP 1453242 S 10/2012  
JP 1466664 S 4/2013  
JP 1471510 S 6/2013

(73) Assignee: **Pioneer Corporation**, Kawasaki-shi,  
Kanagawa (JP)

(\*\*) Term: **14 Years**

\* cited by examiner

(21) Appl. No.: **29/478,284**

(22) Filed: **Jan. 3, 2014**

*Primary Examiner* — Keli L Hill

(30) **Foreign Application Priority Data**

(74) *Attorney, Agent, or Firm* — Drinker Biddle & Reath  
LLP

Sep. 4, 2013 (JP) ..... 2013-020414

(51) **LOC (10) Cl.** ..... **14-03**

(57) **CLAIM**

The ornamental design for a sound quality control apparatus,  
as shown and described.

(52) **U.S. Cl.**

USPC ..... **D14/217**; D13/163

**DESCRIPTION**

(58) **Field of Classification Search**

USPC ..... D14/162, 167, 168, 175, 188, 196–198,  
D14/217, 257, 258, 388, 496; D13/163,  
D13/164; 84/625, 660, 697; 381/119;  
455/350

FIG. 1 is a perspective view of the front, bottom and right side  
of a sound quality control apparatus showing my new design;  
FIG. 2 is a front view thereof;  
FIG. 3 is a rear view thereof;  
FIG. 4 is a left side view thereof;  
FIG. 5 is a right side view thereof;  
FIG. 6 is a top plan view thereof; and,  
FIG. 7 is a bottom view thereof.

See application file for complete search history.

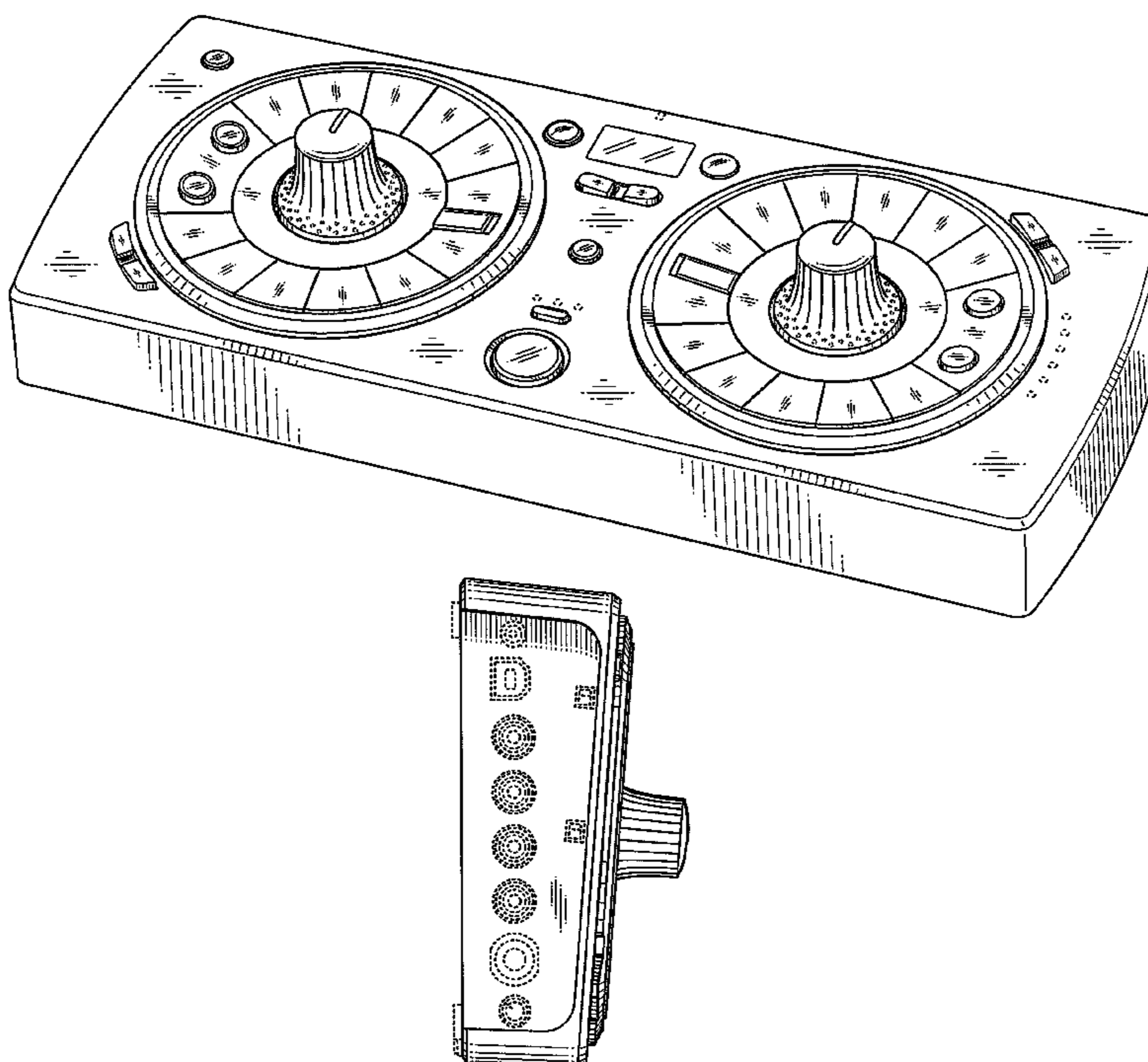
The portions of the article in broken lines are shown for  
illustrative purposes only and form no part of the claimed  
design.

(56) **References Cited**

**U.S. PATENT DOCUMENTS**

D500,307 S \* 12/2004 Ishizaki ..... D14/217  
D592,208 S \* 5/2009 Ishizaki et al. .... D14/257  
D615,993 S \* 5/2010 Ho ..... D14/496  
D665,778 S \* 8/2012 Langlois ..... D14/217

**1 Claim, 7 Drawing Sheets**



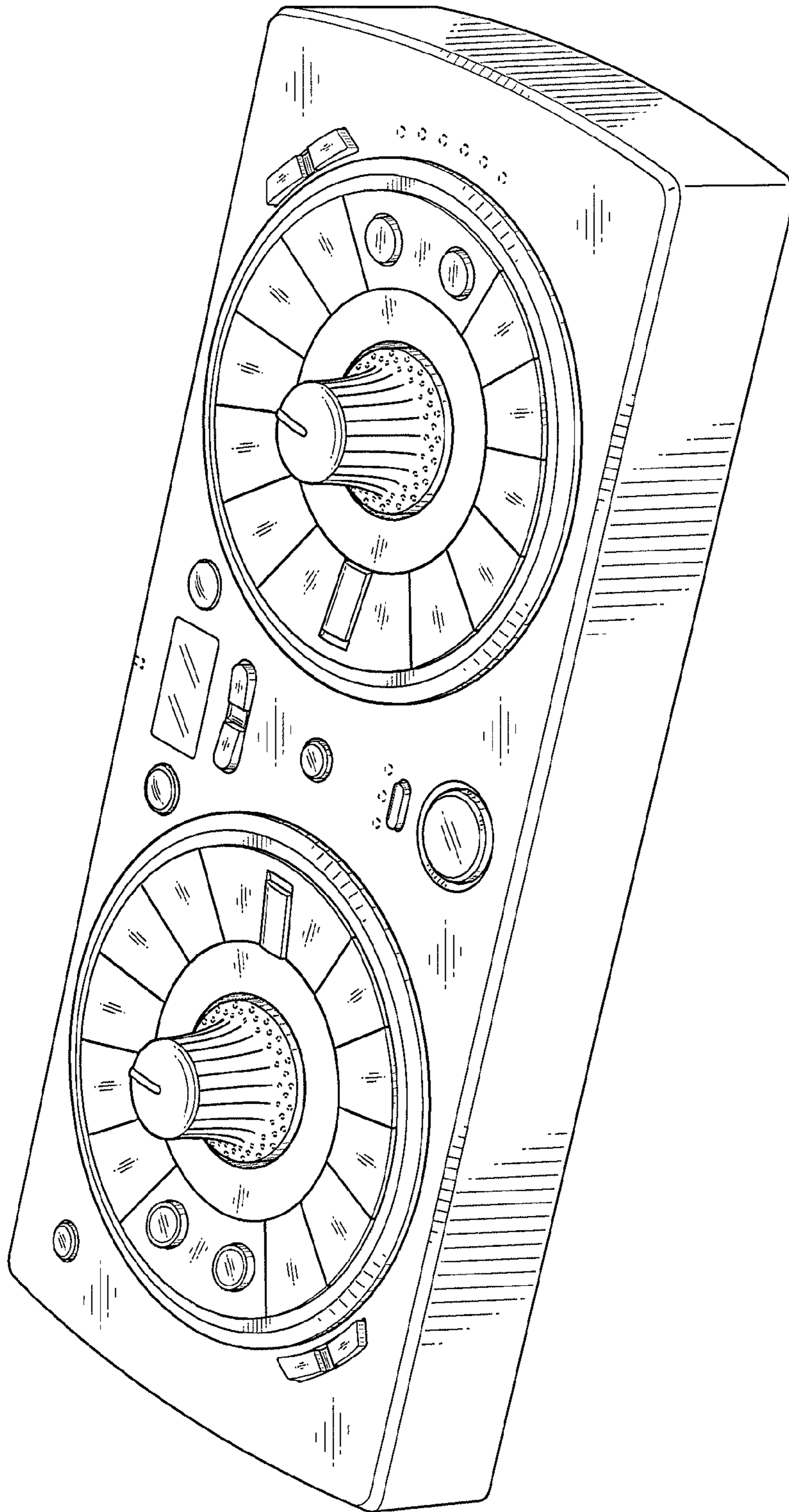


FIG. 1

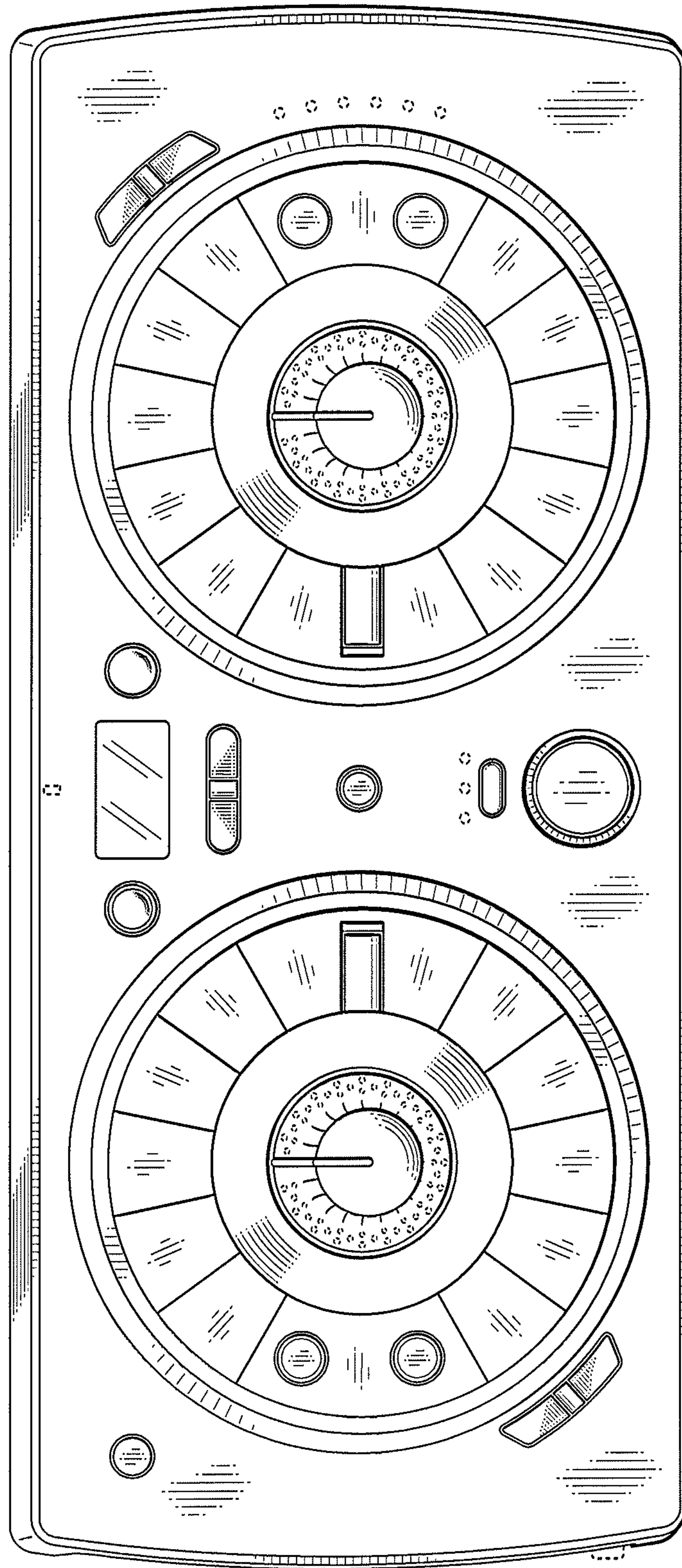


FIG. 2

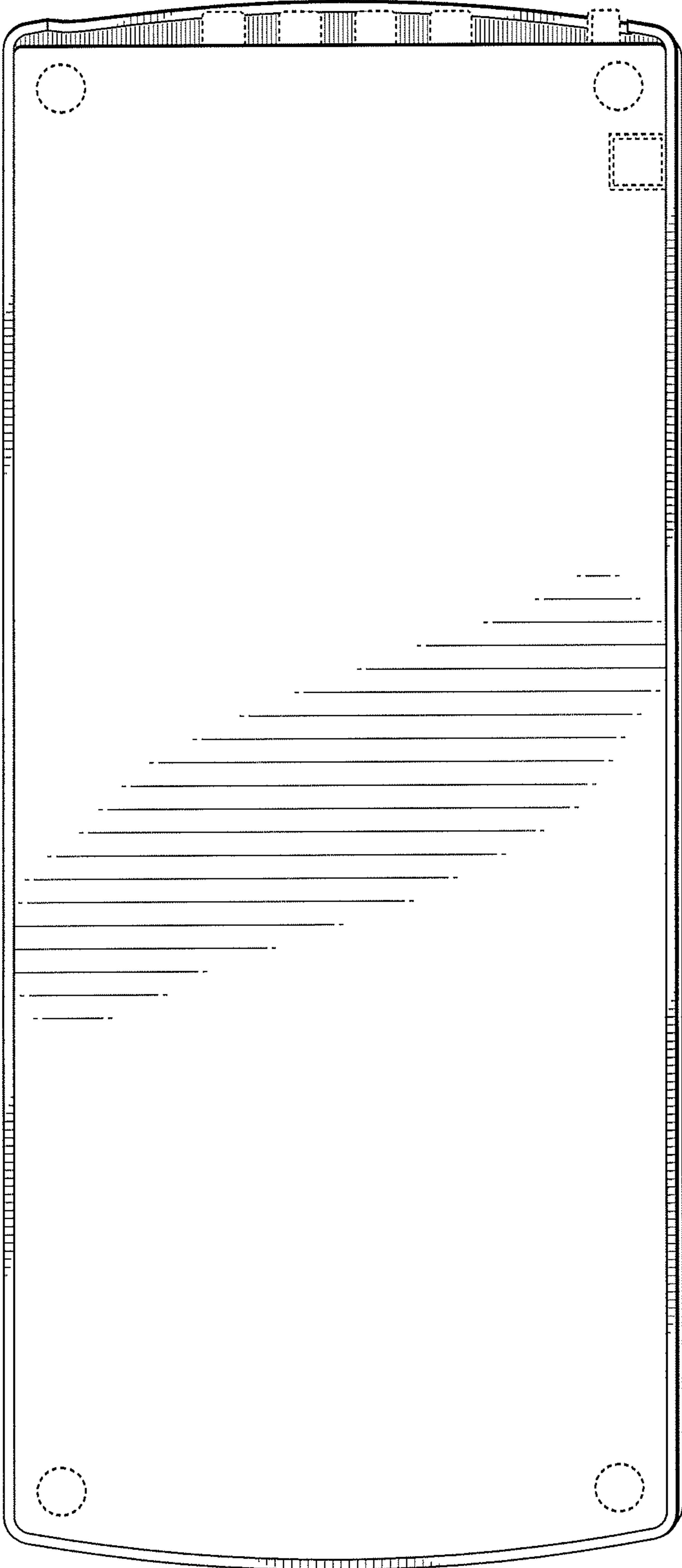


FIG. 3

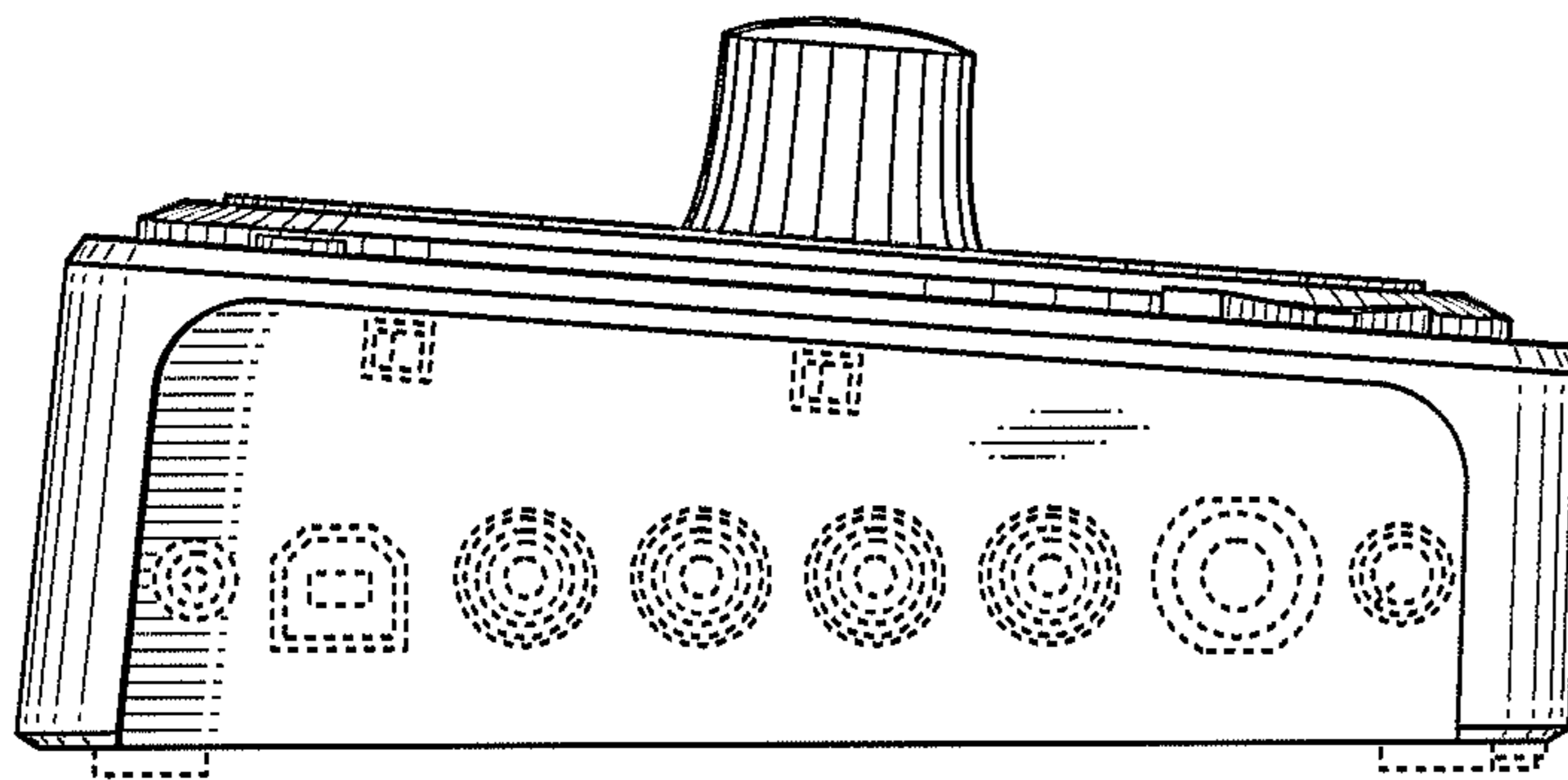


FIG. 4

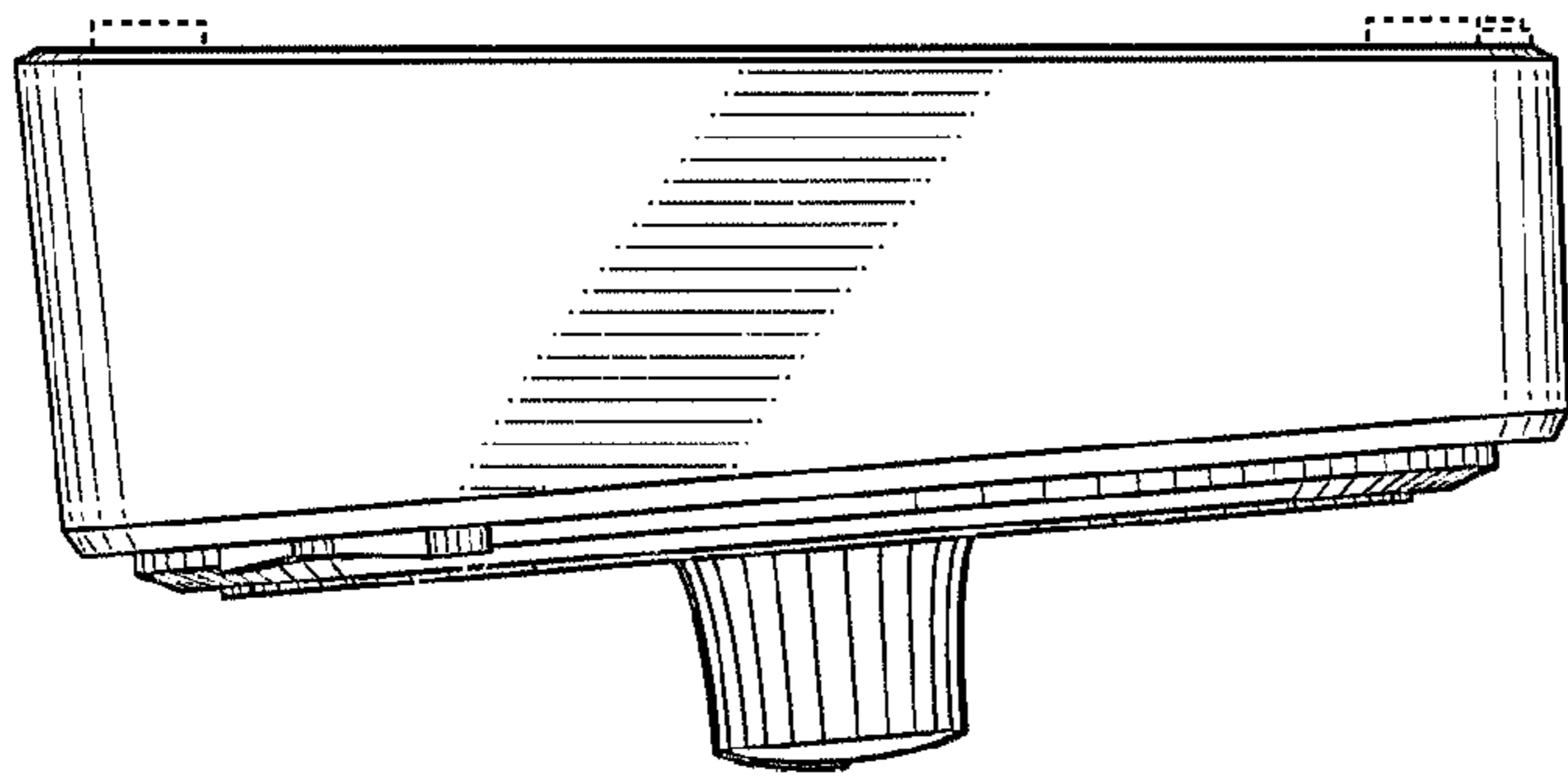


FIG. 5

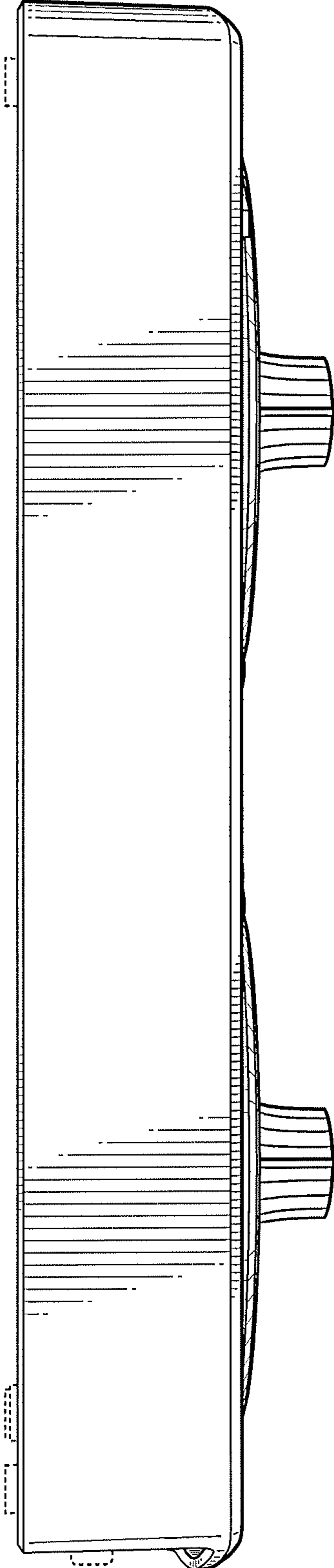


FIG. 6

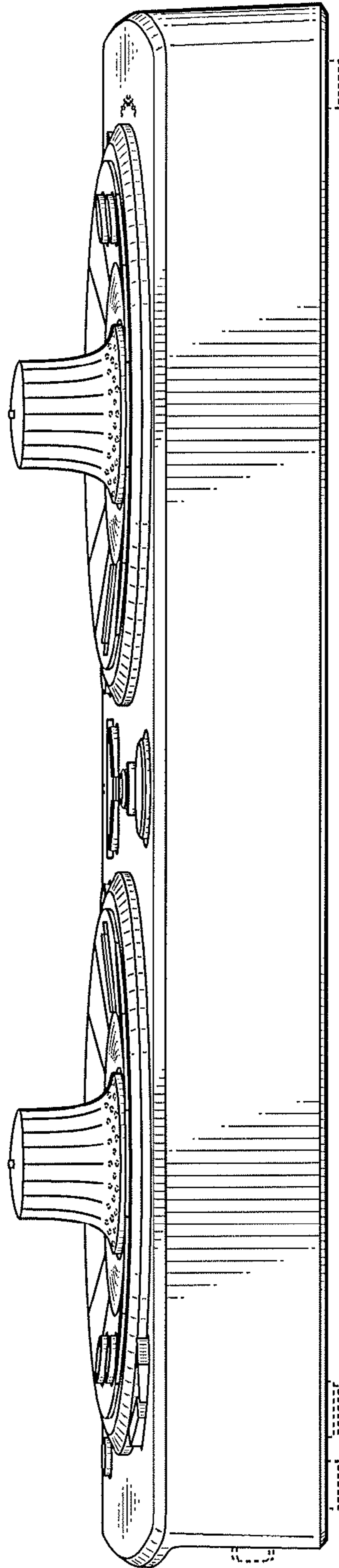


FIG. 7