



US00D723004S

(12) **United States Design Patent**
Kang et al.

(10) **Patent No.:** **US D723,004 S**
(45) **Date of Patent:** **** Feb. 24, 2015**

(54) **SPEAKER**

(71) Applicant: **Samsung Electronics Co., Ltd.**,
Suwon-si (KR)

(72) Inventors: **Yun-Je Kang**, Seongnam-si (KR);
Dong-Hee Won, Seoul (KR)

(73) Assignee: **Samsung Electronics Co., Ltd.**,
Suwon-si (KR)

(**) Term: **14 Years**

(21) Appl. No.: **29/476,374**

(22) Filed: **Dec. 12, 2013**

(30) **Foreign Application Priority Data**

Jun. 14, 2013 (KR) 30-2013-0030931

(51) **LOC (10) Cl.** **14-03**

(52) **U.S. Cl.**
USPC **D14/215**

(58) **Field of Classification Search**

USPC D14/167, 168, 170-172, 188, 194-196,
D14/204, 207, 209.1, 210-216, 219, 221,
D14/222, 224, 496; 181/143, 144, 147, 148,
181/150, 153, 157, 198, 199; 381/300-303,
381/306, 332, 333, 336, 345, 361-364,
381/386-388; 369/6-12

See application file for complete search history.

(56) **References Cited**

U.S. PATENT DOCUMENTS

D214,912 S * 8/1969 Duern et al. D14/212
D223,255 S * 4/1972 Boldt et al. D14/212

D225,748 S * 1/1973 Boldt et al. D14/212
D290,953 S * 7/1987 Sklaar et al. D14/211
D473,541 S * 4/2003 Lloyd, Jr. D14/211
D476,310 S * 6/2003 Hisatsune D14/211
D480,066 S * 9/2003 Martikainen D14/214
D508,042 S * 8/2005 Oikawa D14/214
D511,136 S * 11/2005 Hirschburger et al. D13/107
D587,687 S * 3/2009 Dayan et al. D14/217
D615,530 S * 5/2010 Dobson D14/216
8,199,958 B2 * 6/2012 Weir et al. 381/387
D666,167 S * 8/2012 Pietzsch D14/196
D674,371 S * 1/2013 Cho et al. D14/188
2005/0130583 A1 * 6/2005 Troutman 455/3.02
2007/0024237 A1 * 2/2007 Cole et al. 320/107

* cited by examiner

Primary Examiner — Keli L Hill

(74) *Attorney, Agent, or Firm* — NSIP Law

(57) **CLAIM**

The ornamental design for a speaker, as shown and described.

DESCRIPTION

FIG. 1 is a front perspective view of a speaker showing our new design;

FIG. 2 is a front view thereof;

FIG. 3 is a rear view thereof;

FIG. 4 is a left-side view thereof;

FIG. 5 is a right-side view thereof;

FIG. 6 is a top view thereof;

FIG. 7 is a bottom view thereof; and,

FIG. 8 is a rear perspective view thereof.

The broken lines illustrating portions of the speaker are for environmental purposes only and form no part of the claimed design.

1 Claim, 8 Drawing Sheets

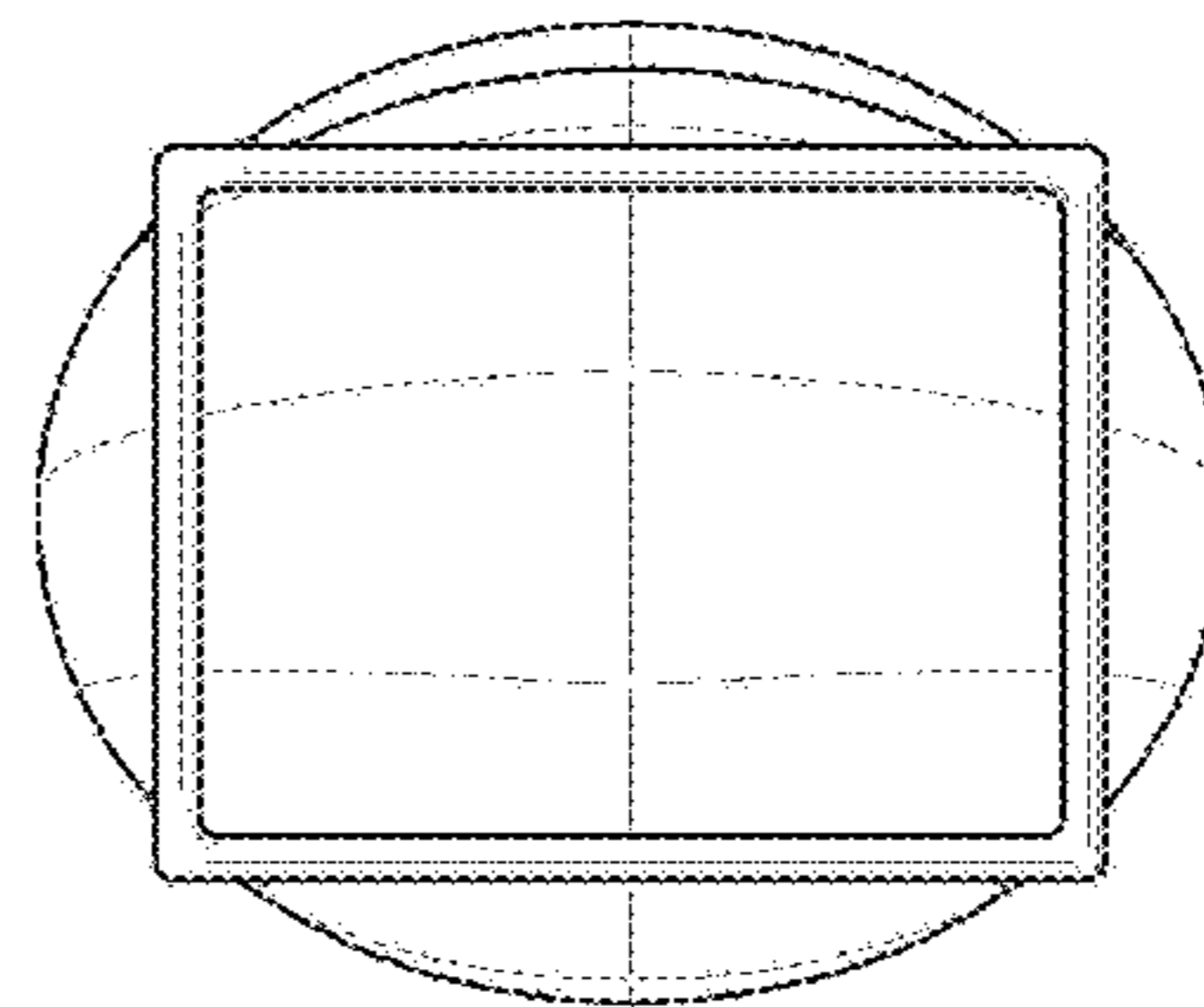
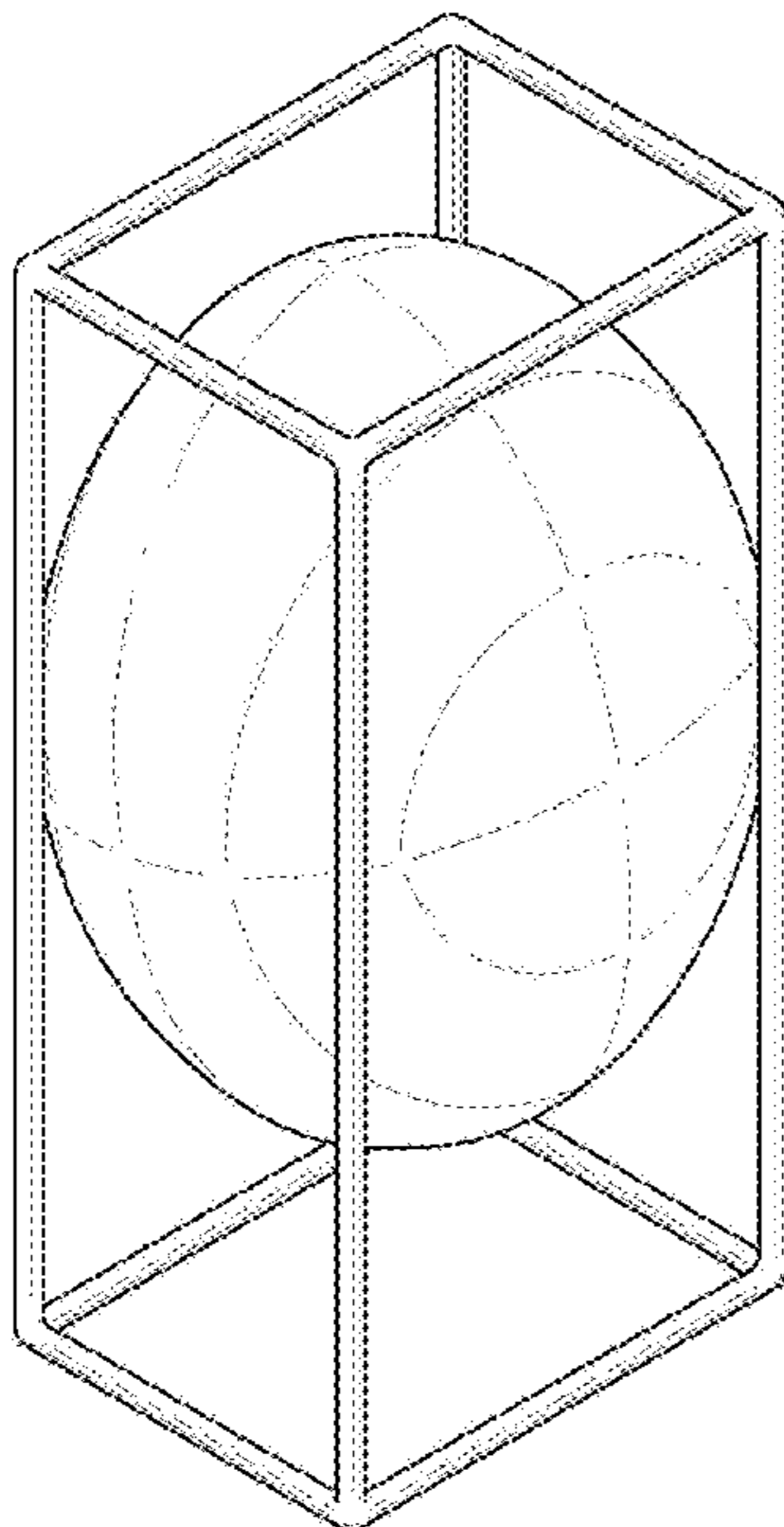


FIG. 1

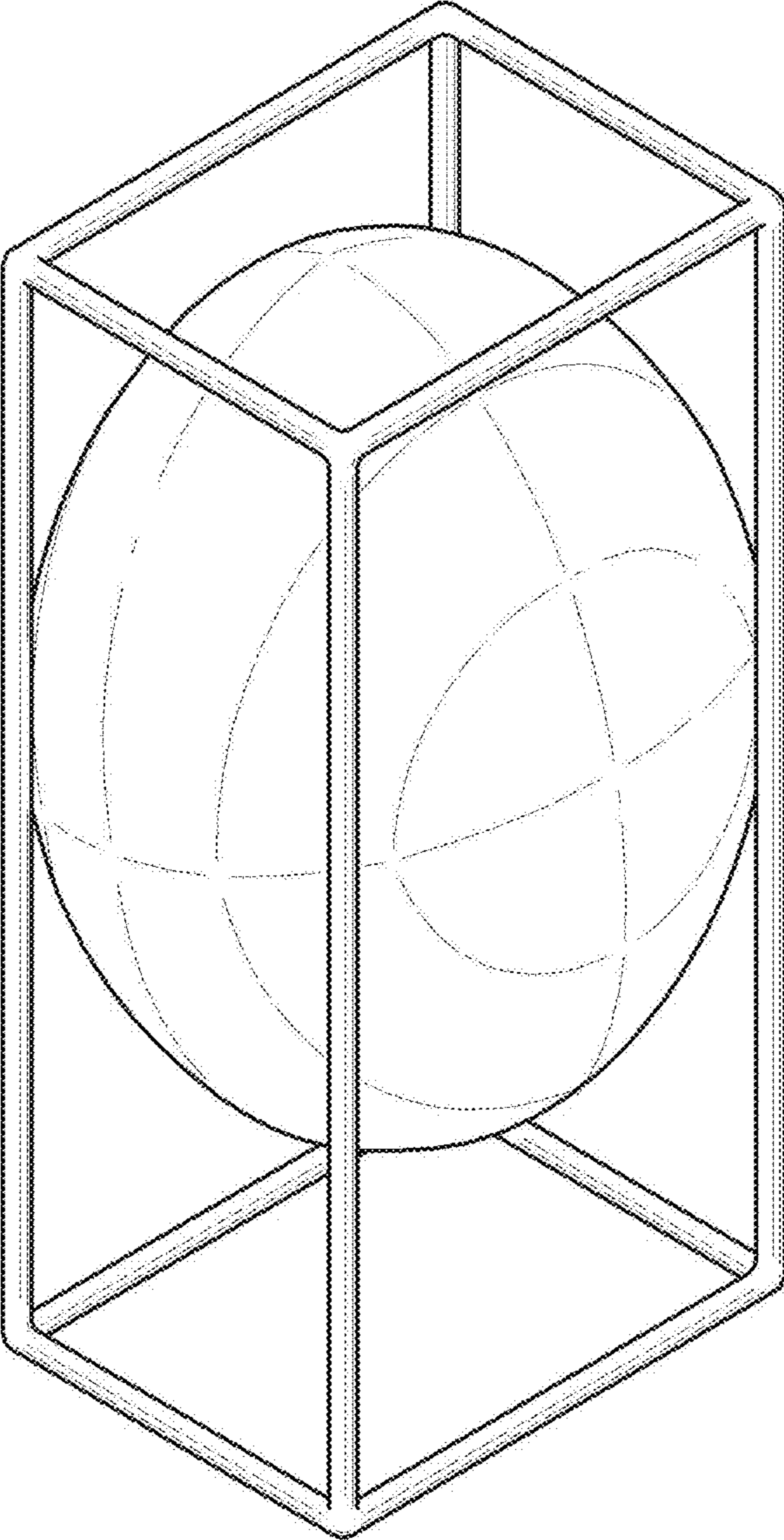


FIG. 2

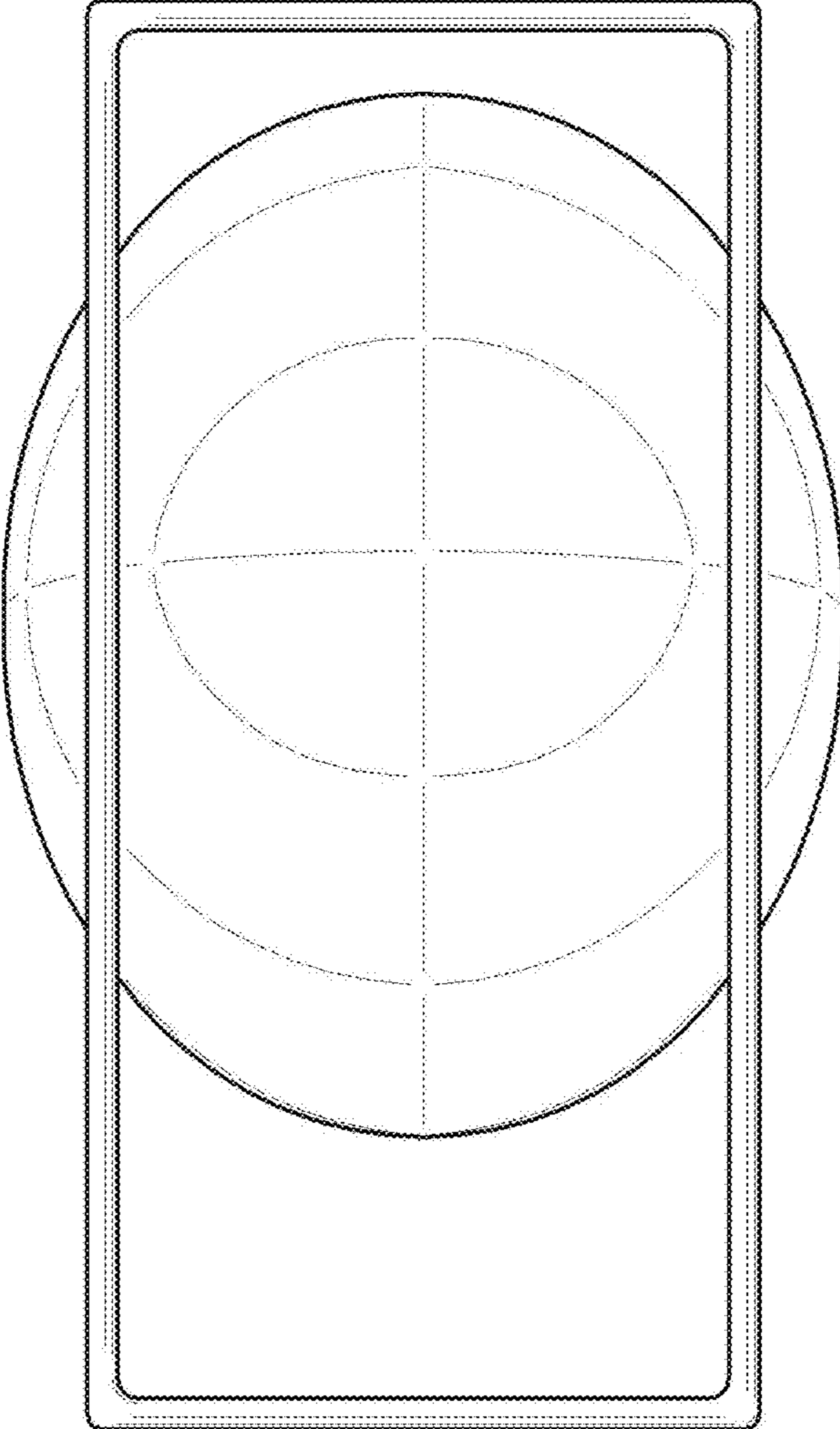


FIG. 3

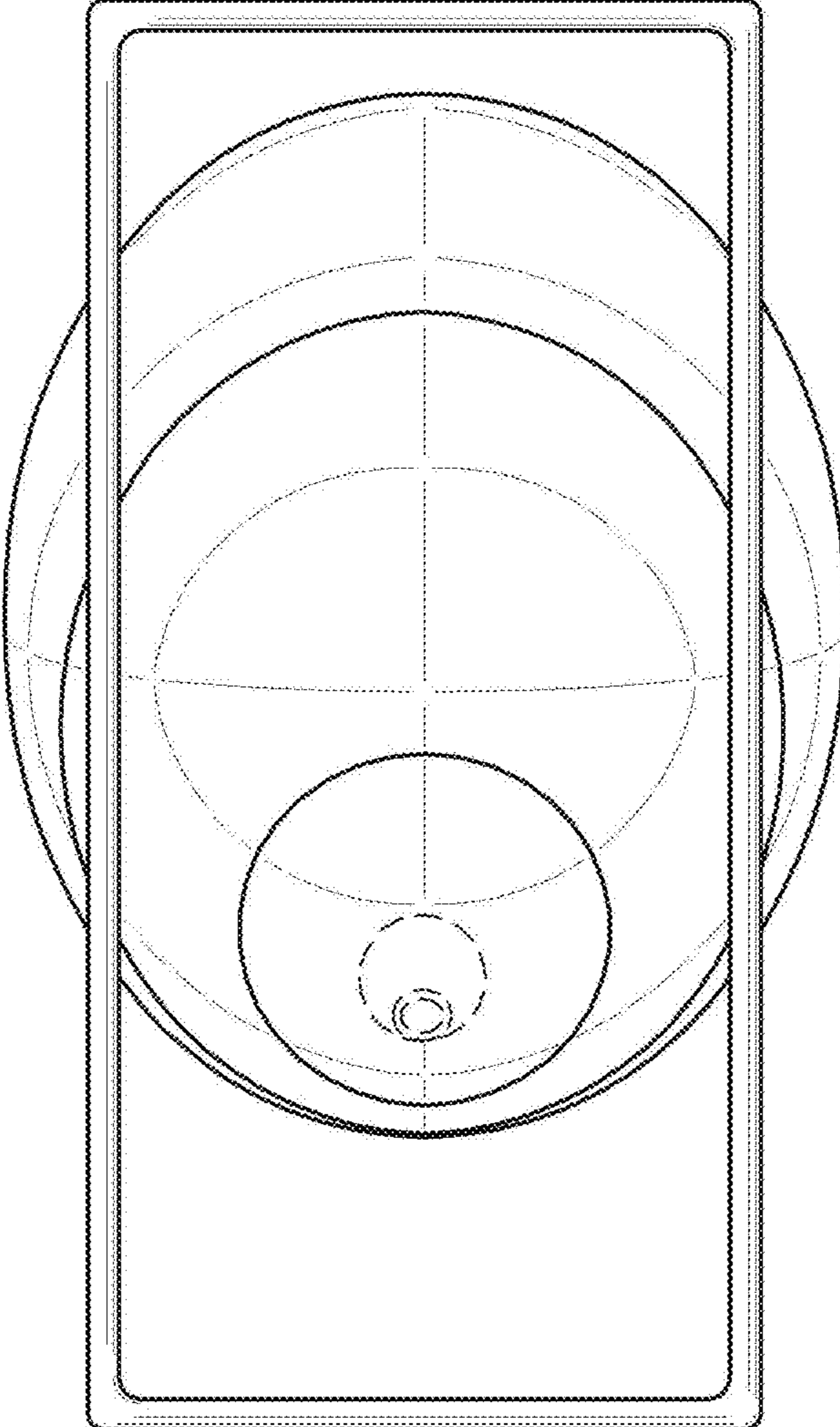


FIG. 4

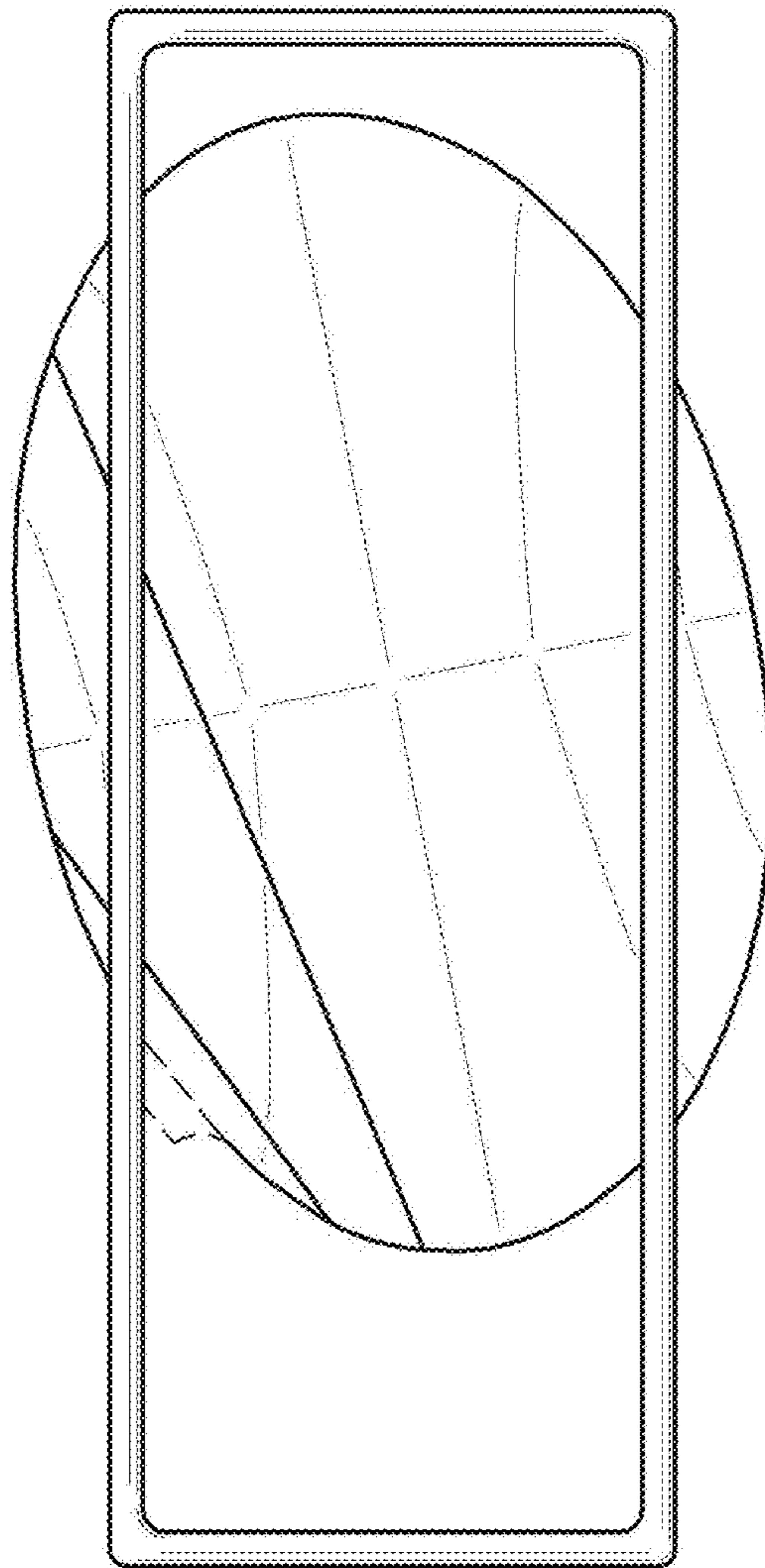


FIG. 5

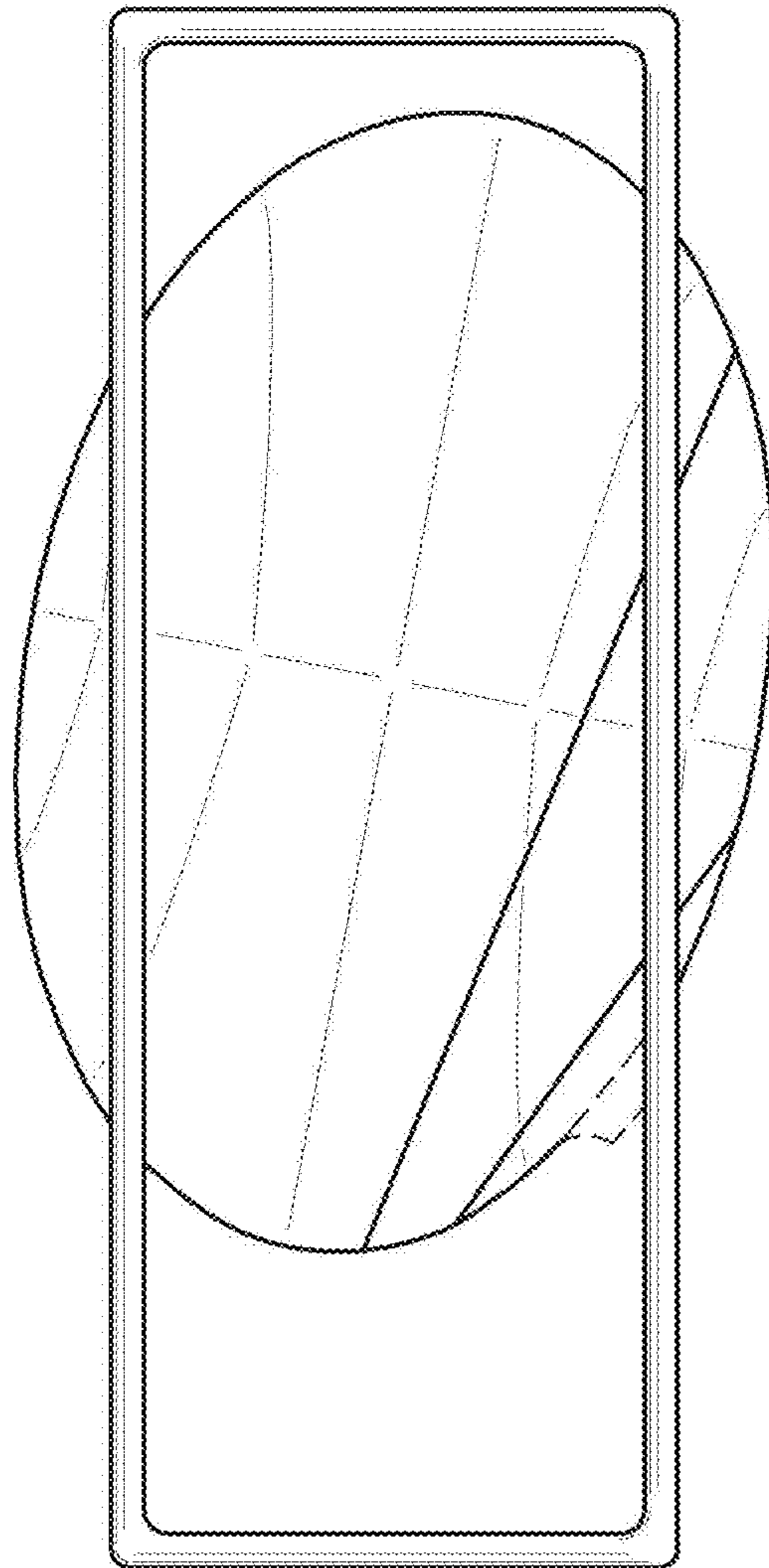


FIG. 6

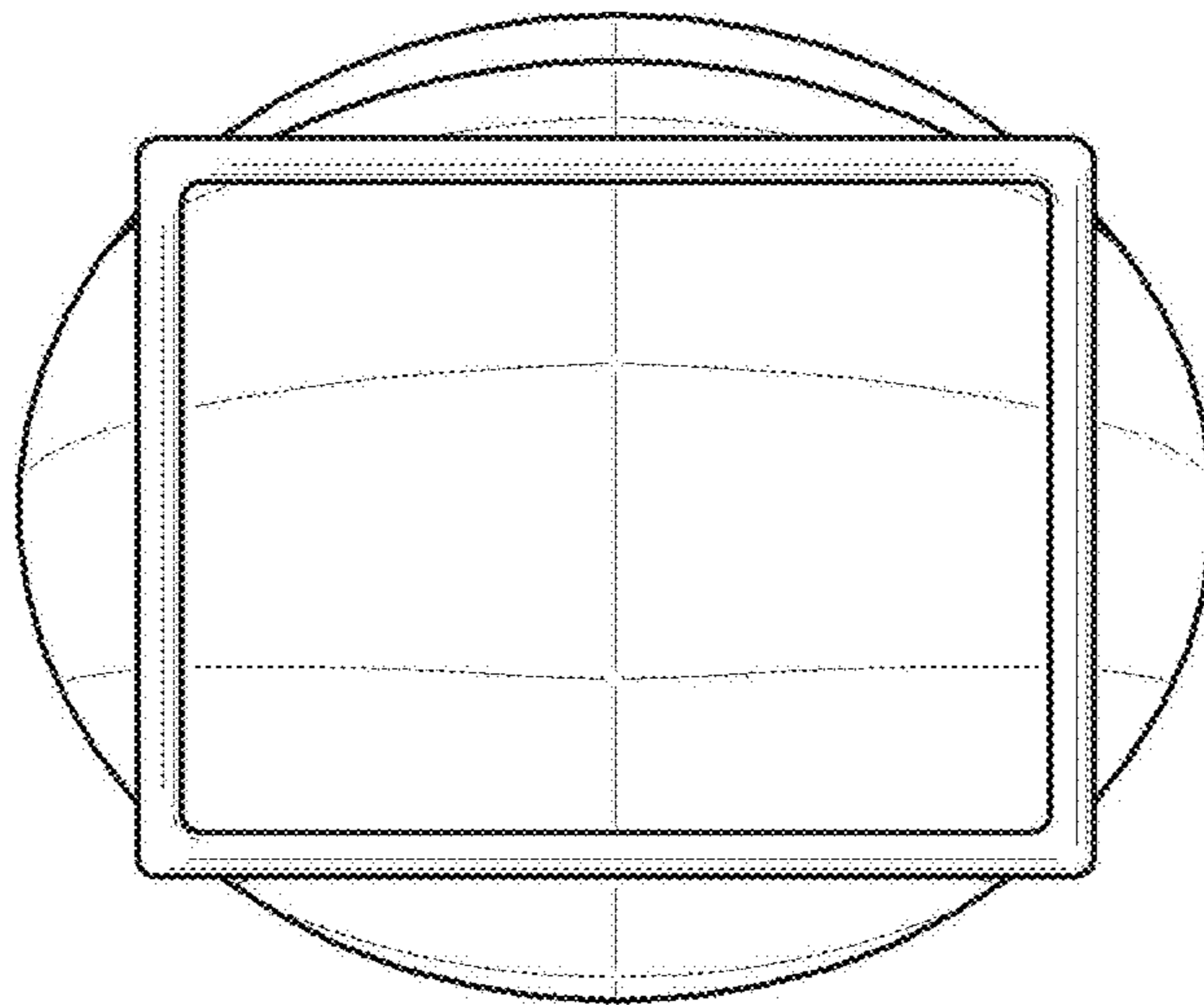


FIG. 7

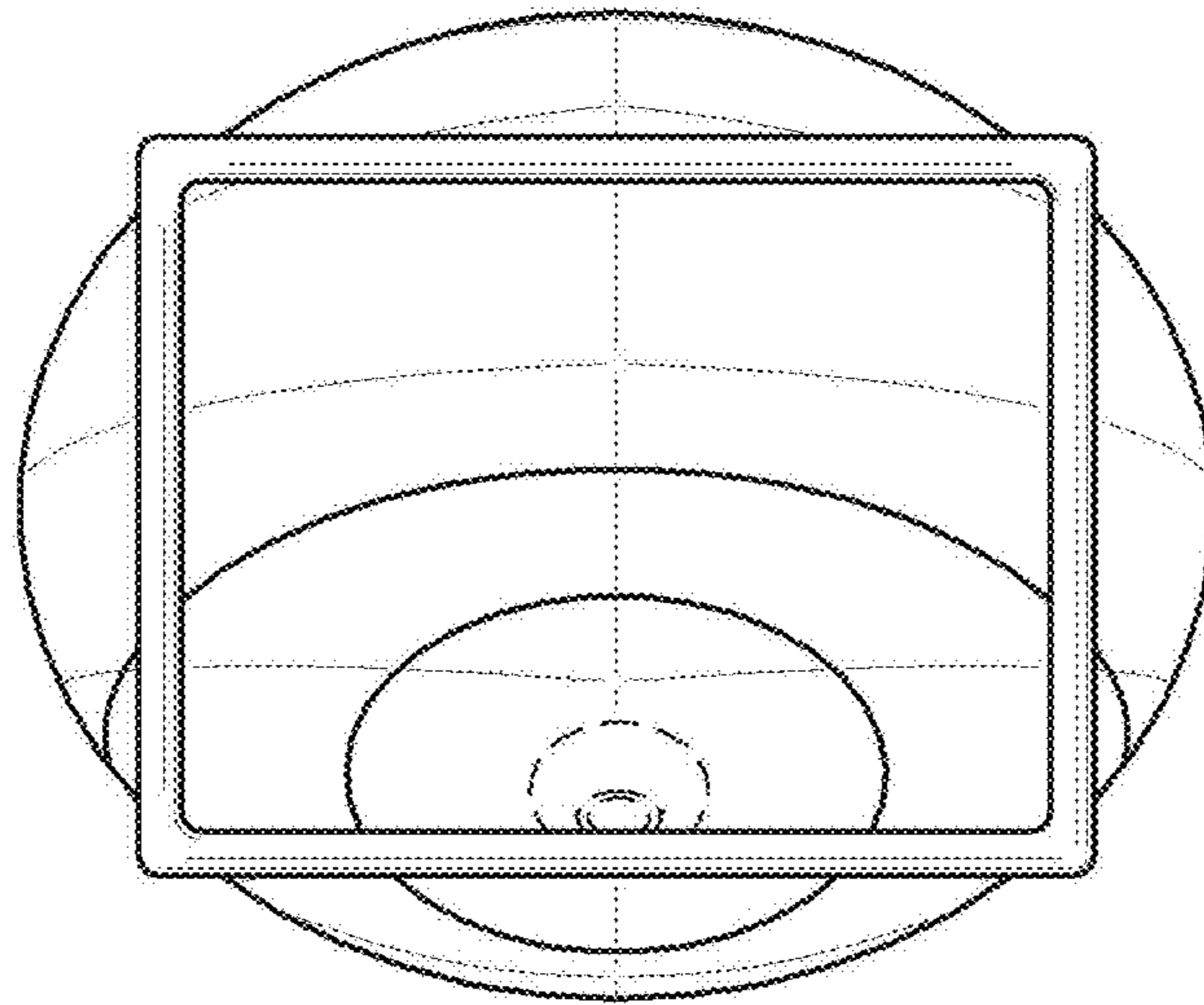


FIG. 8

