



US00D723003S

(12) **United States Design Patent**
Yoo et al.

(10) **Patent No.:** **US D723,003 S**
(45) **Date of Patent:** **** Feb. 24, 2015**

(54) **SPEAKER**

(71) Applicant: **Samsung Electronics Co., Ltd.**,
Suwon-si (KR)
(72) Inventors: **Jaewook Yoo**, Seoul (KR); **SungJin Ann**, Seoul (KR)
(73) Assignee: **Samsung Electronics Co., Ltd.**,
Suwon-si (KR)

(**) Term: **14 Years**

(21) Appl. No.: **29/459,932**

(22) Filed: **Jul. 5, 2013**

(30) **Foreign Application Priority Data**

Jan. 4, 2013 (KR) 30-2013-0002273

(51) **LOC (10) Cl.** **14-03**

(52) **U.S. Cl.**
USPC **D14/215**

(58) **Field of Classification Search**
USPC D14/167, 168, 170–172, 188, 194–196,
D14/204, 207, 209.1, 210–216, 219, 221,
D14/222, 224, 496; 181/143, 144, 147, 148,
181/150, 153, 157, 198, 199; 381/300–303,
381/306, 332, 333, 336, 345, 361–364,
381/386–388; 369/6–12

See application file for complete search history.

(56) **References Cited**

U.S. PATENT DOCUMENTS

D283,510 S *	4/1986	Hsu	D14/170
D486,475 S *	2/2004	Allen	D14/215
D513,745 S *	1/2006	Allen	D14/211
D534,521 S *	1/2007	Caspi et al.	D14/168
D542,263 S *	5/2007	Caspi et al.	D14/168
D597,526 S *	8/2009	Garrett	D14/209.1

* cited by examiner

Primary Examiner — Keli L Hill

(74) *Attorney, Agent, or Firm* — NSIP Law

(57) **CLAIM**

The ornamental design for a speaker, as shown and described.

DESCRIPTION

FIG. 1 is a perspective view of a speaker, showing our new design;

FIG. 2 is a front view thereof;

FIG. 3 is a rear view thereof;

FIG. 4 is a left-side view thereof;

FIG. 5 is a right-side view thereof;

FIG. 6 is a top plan view thereof;

FIG. 7 is a bottom plan view thereof;

FIG. 8 is a front view of a speaker of FIG. 1, in which an example environment is illustrated in broken lines;

FIG. 9 is a front view of a speaker of FIG. 1, in which another example environment is illustrated in broken lines; and,

FIG. 10 is a front view of a speaker of FIG. 1, in which still another example environment is illustrated in broken lines.

The broken lines shown are included for the purpose of illustrating portions of the speaker that form no part of the claim.

1 Claim, 10 Drawing Sheets

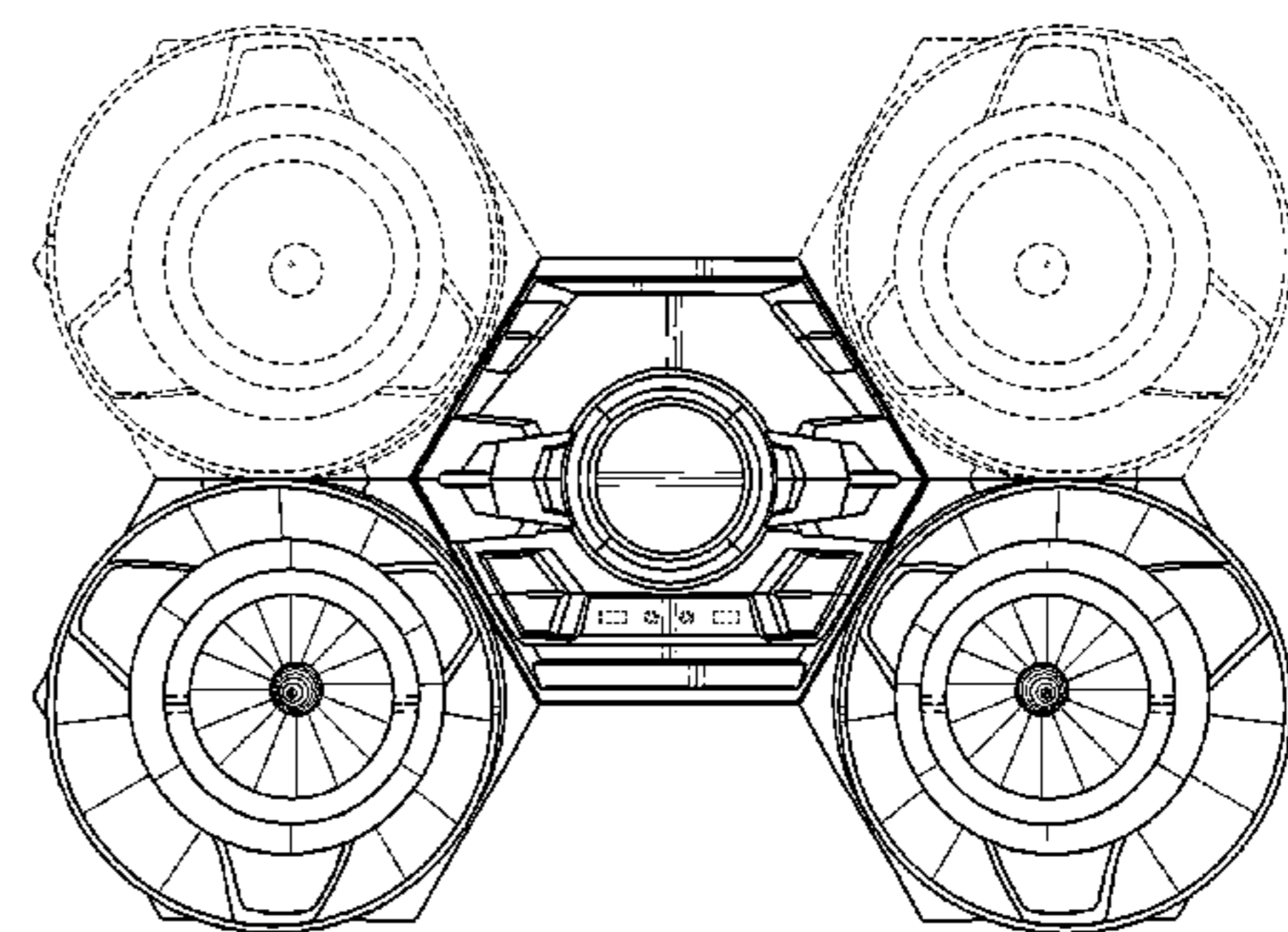
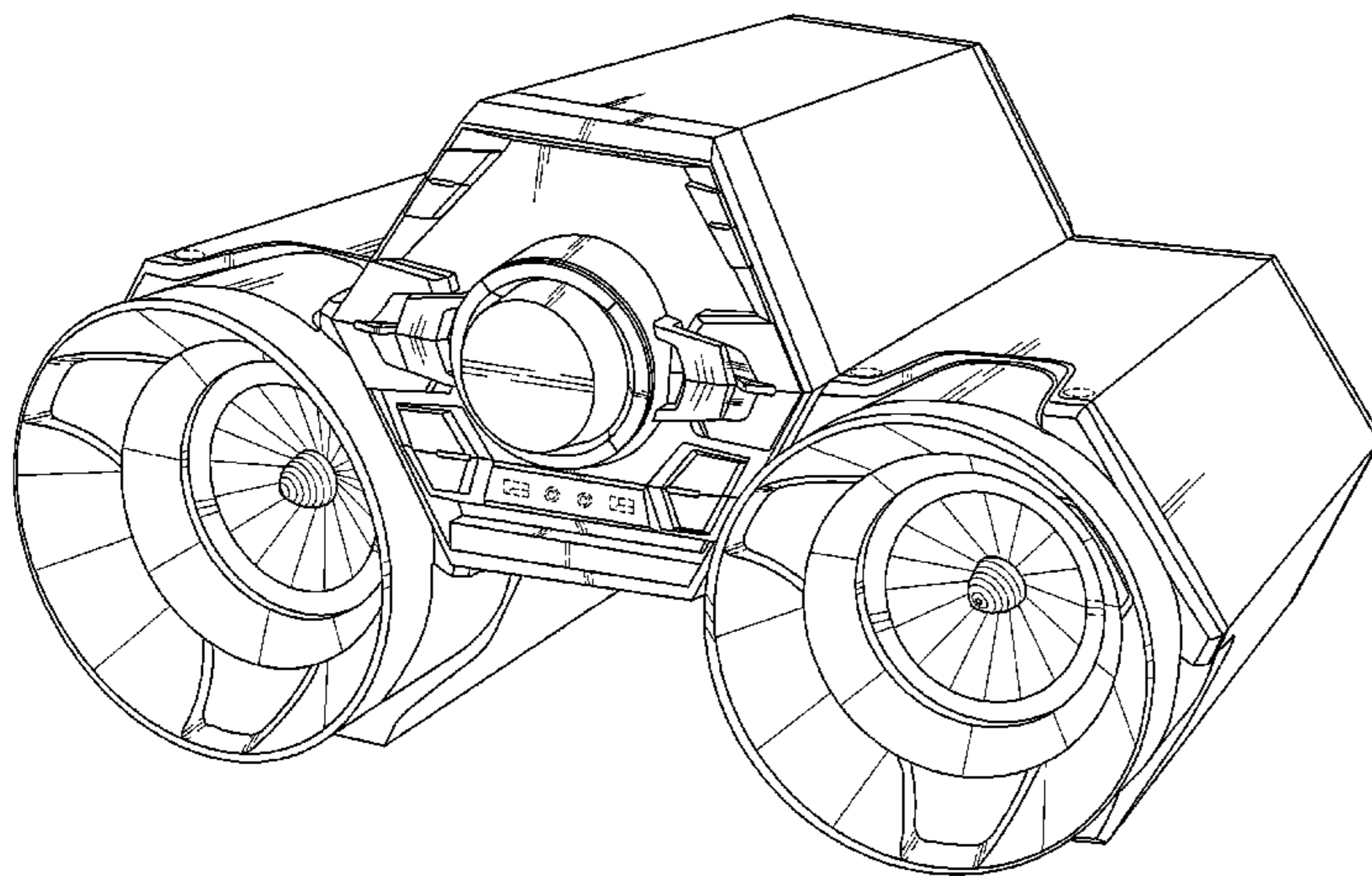


FIG. 1

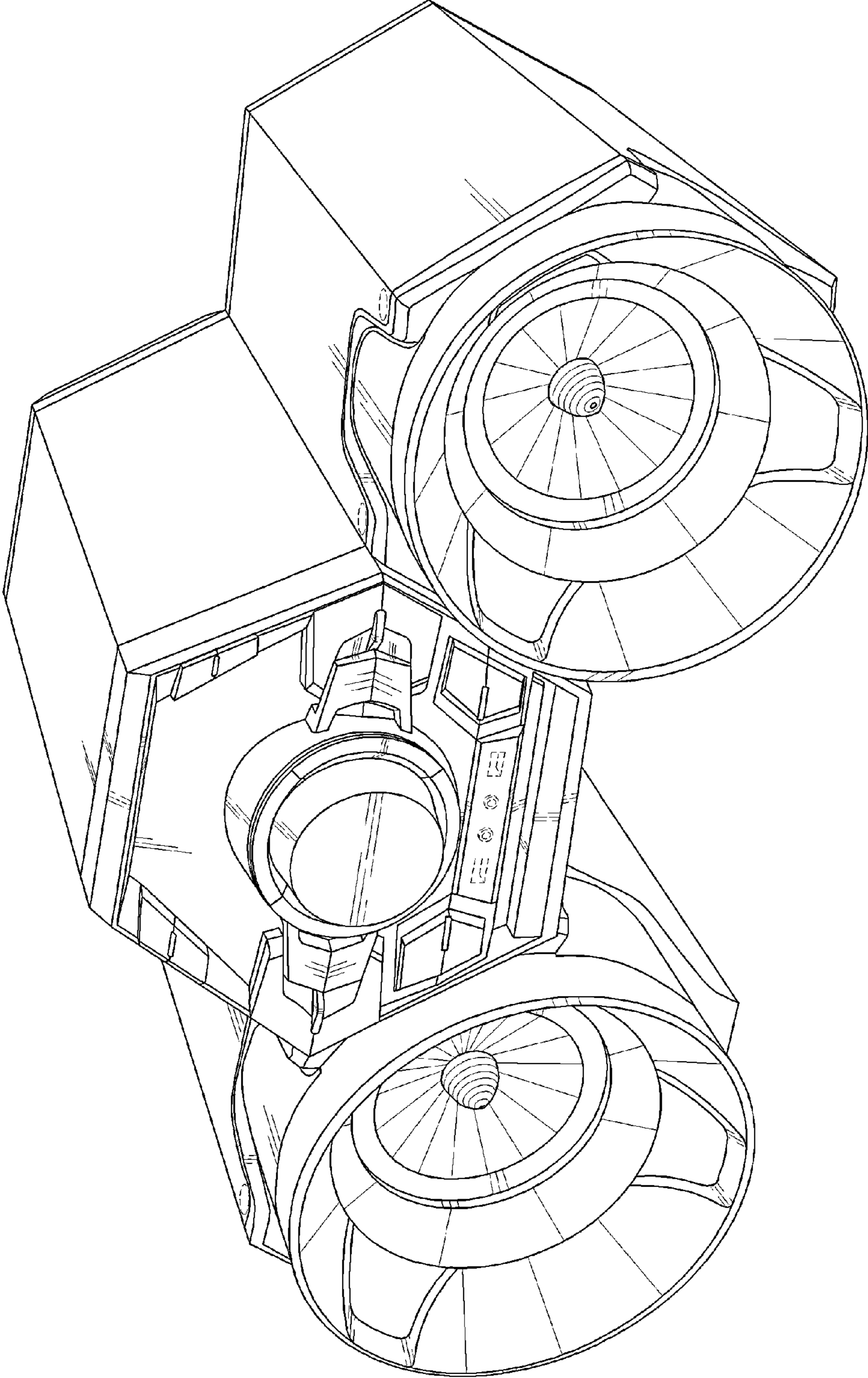


FIG. 2

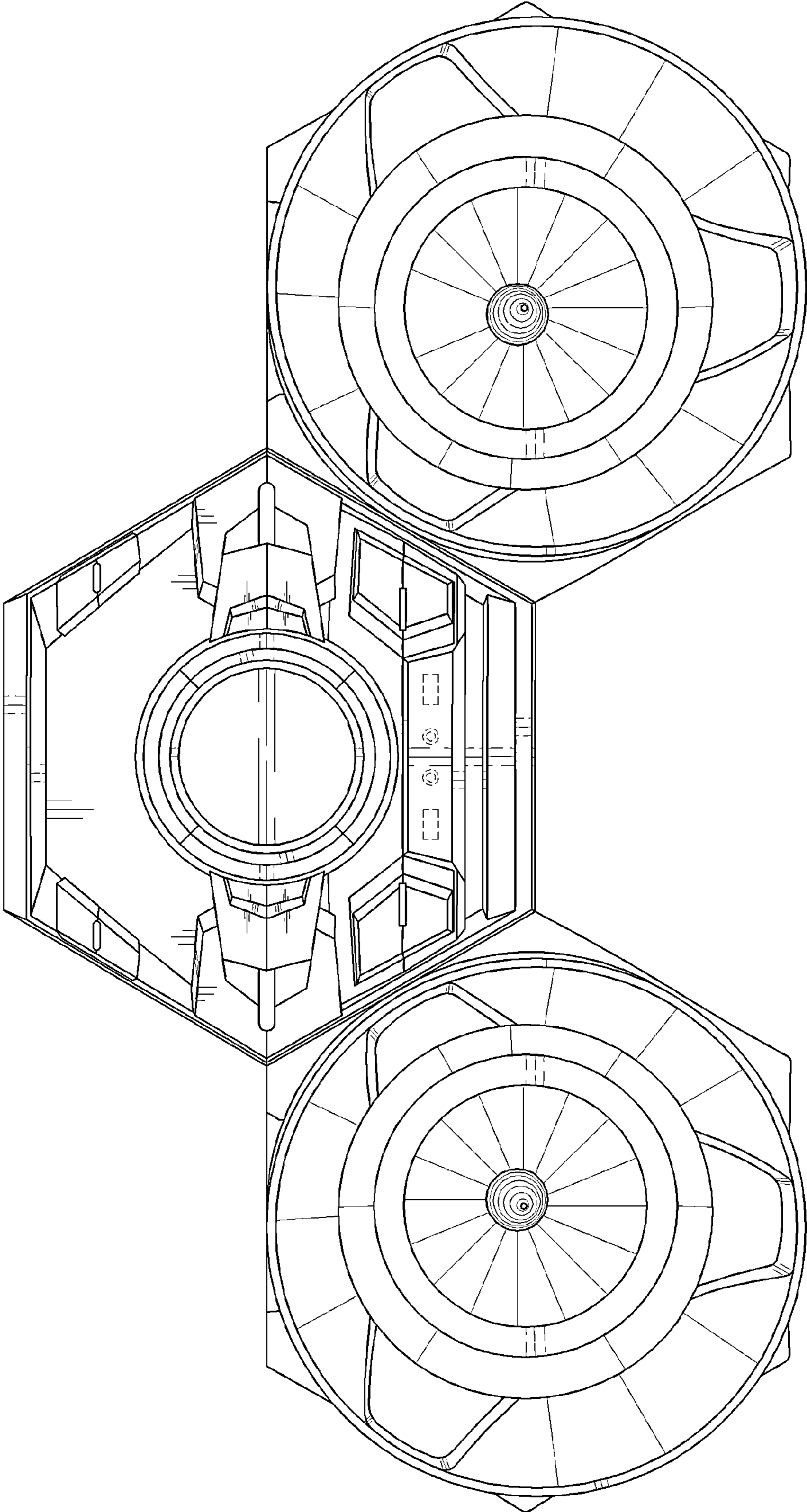


FIG. 3

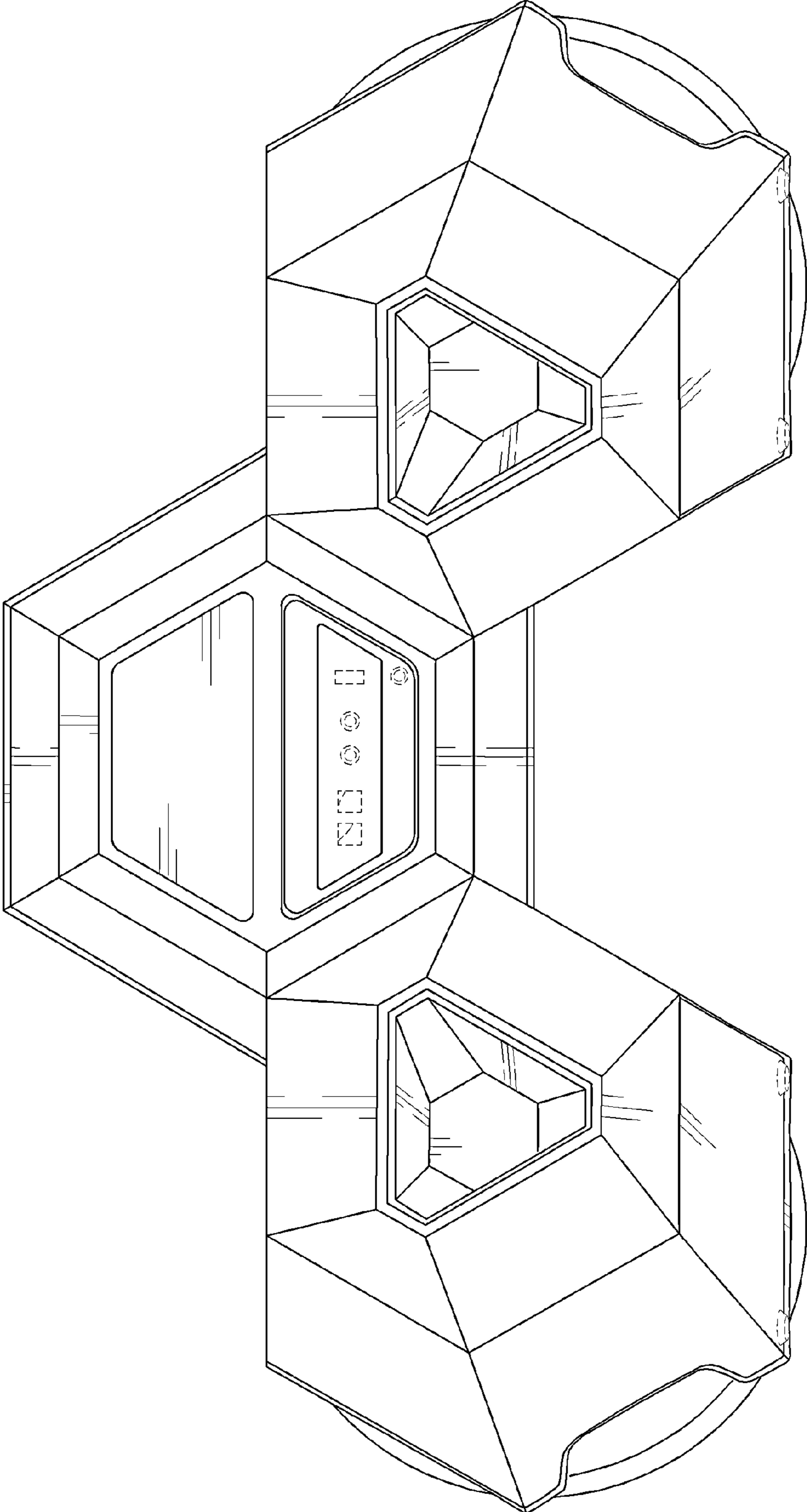


FIG. 4

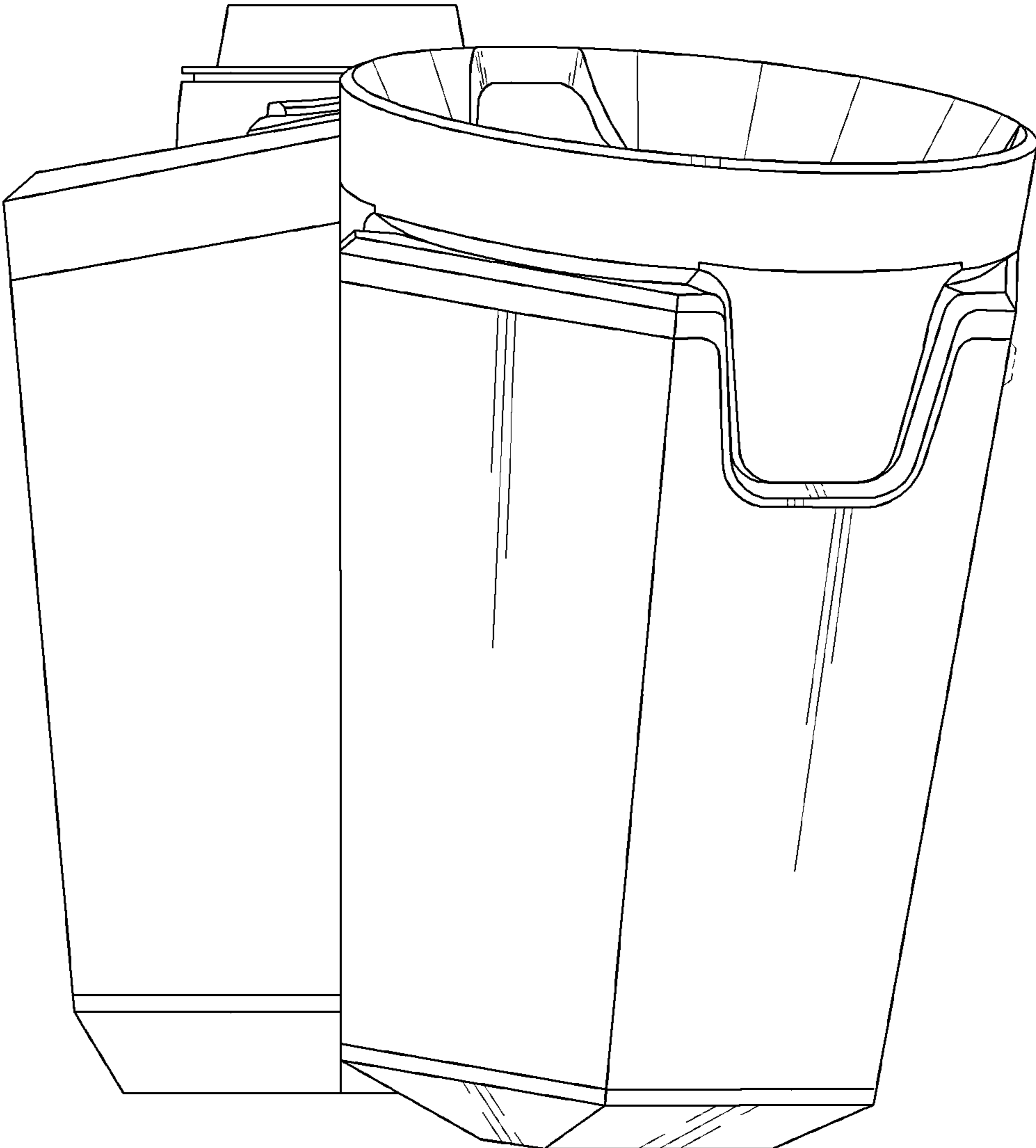


FIG. 5

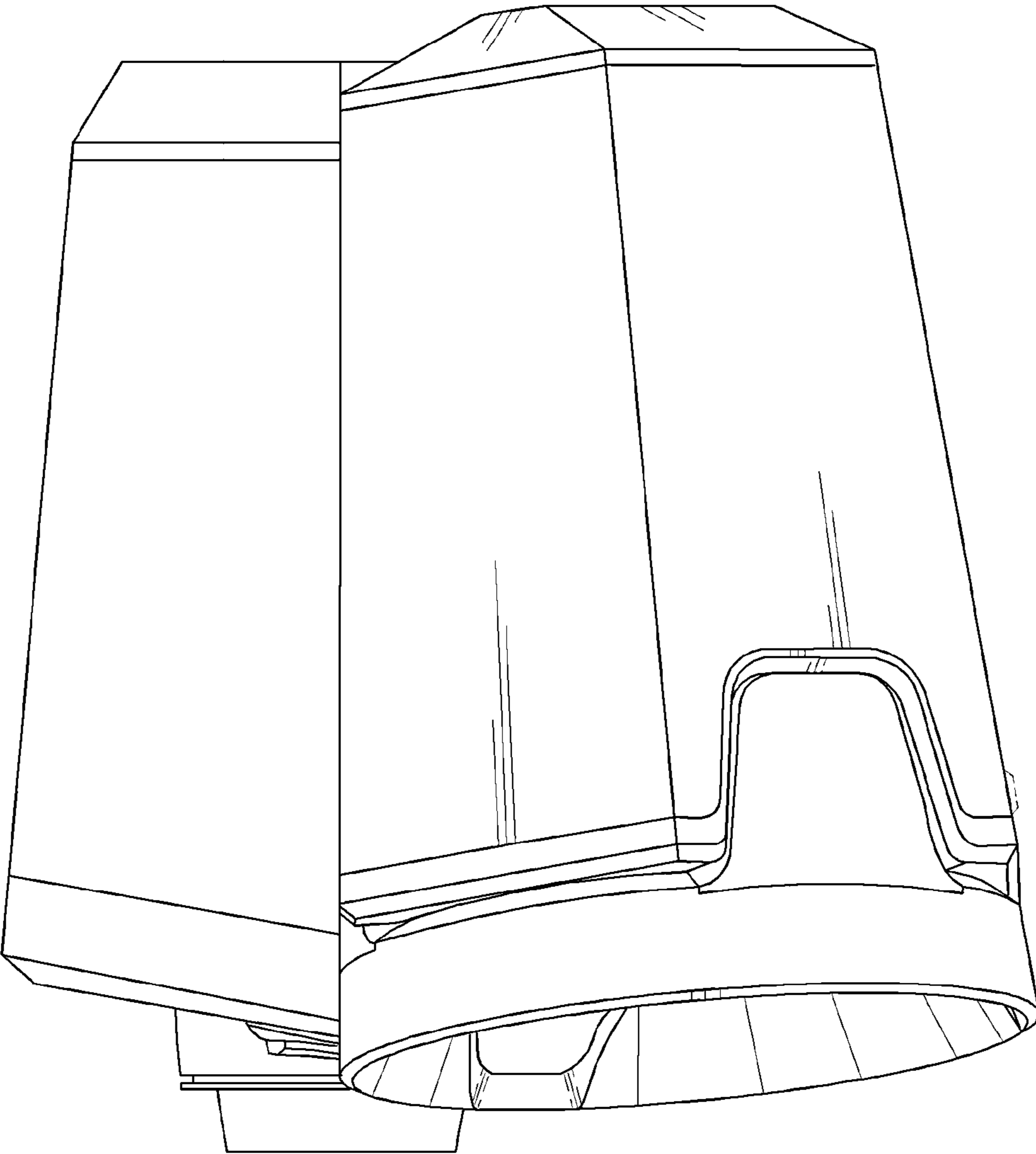


FIG. 6

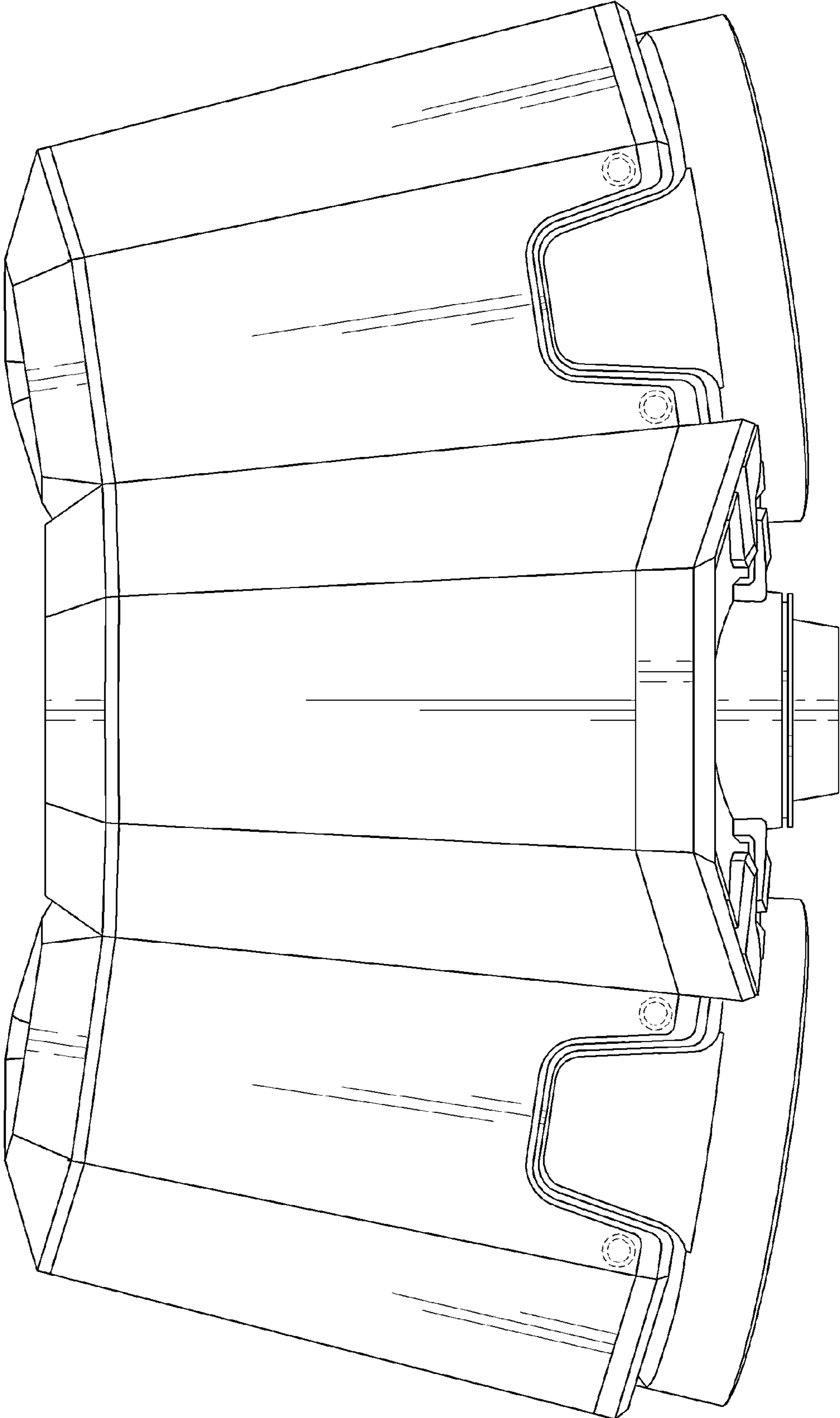


FIG. 7

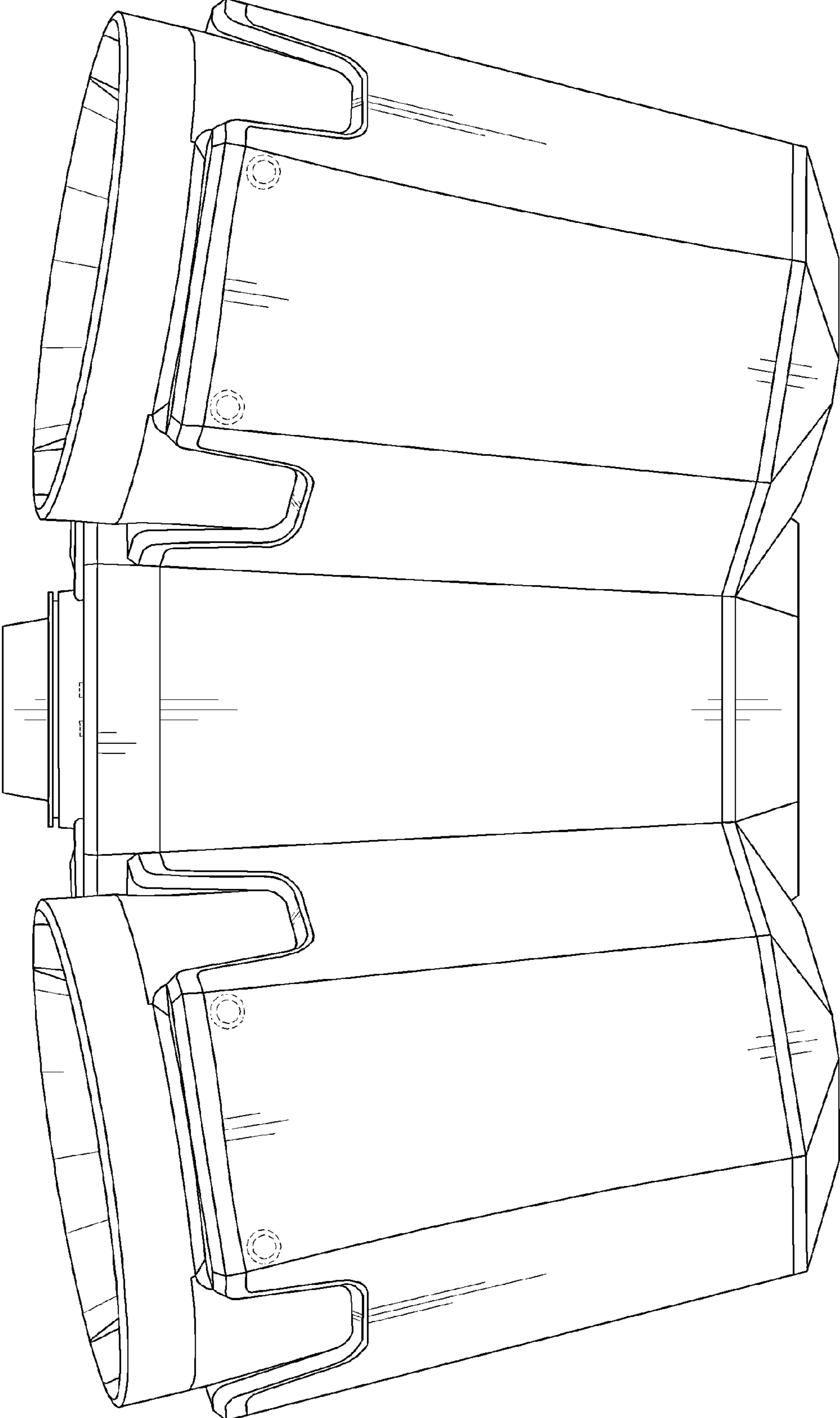


FIG. 8

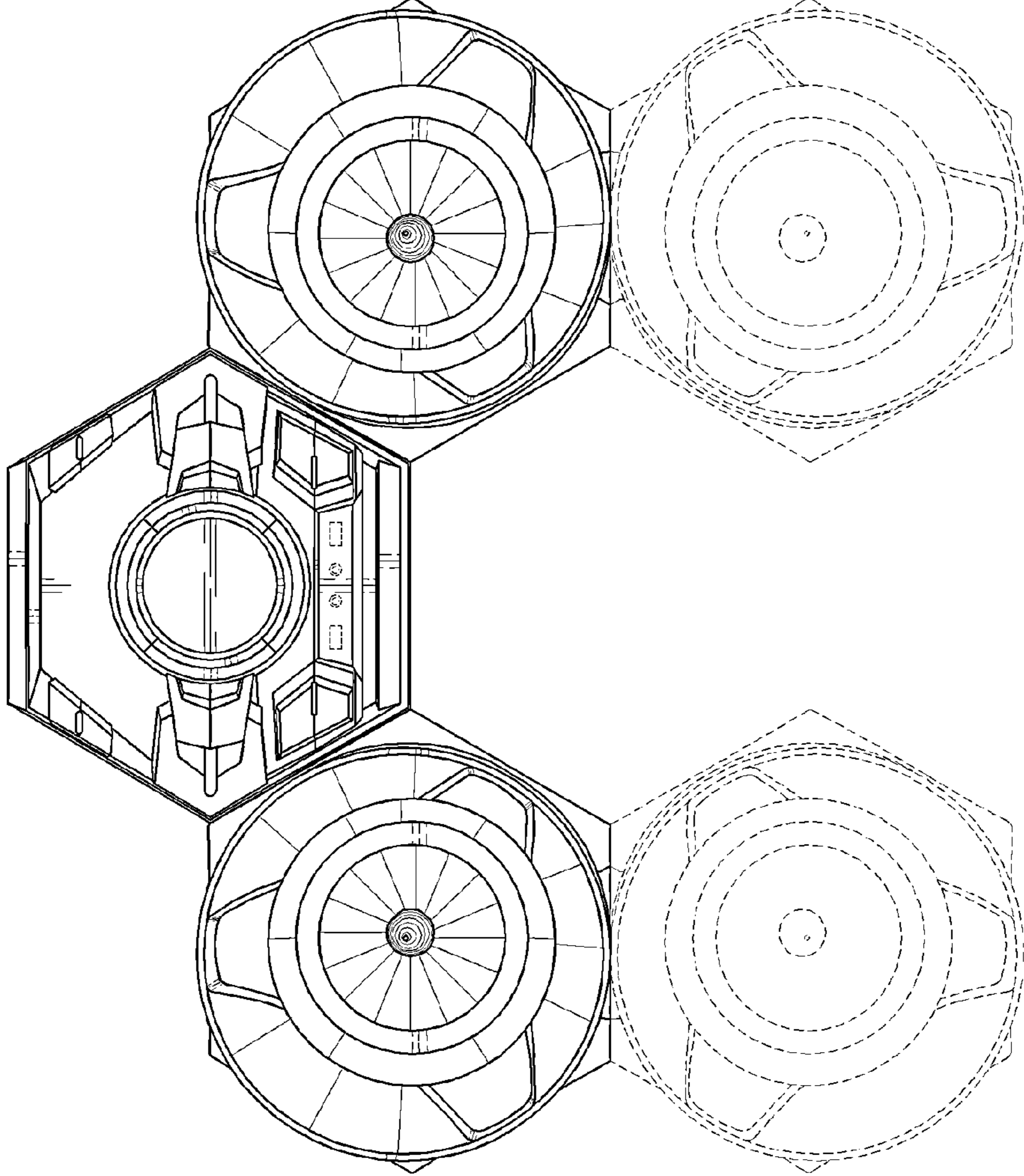


FIG. 9

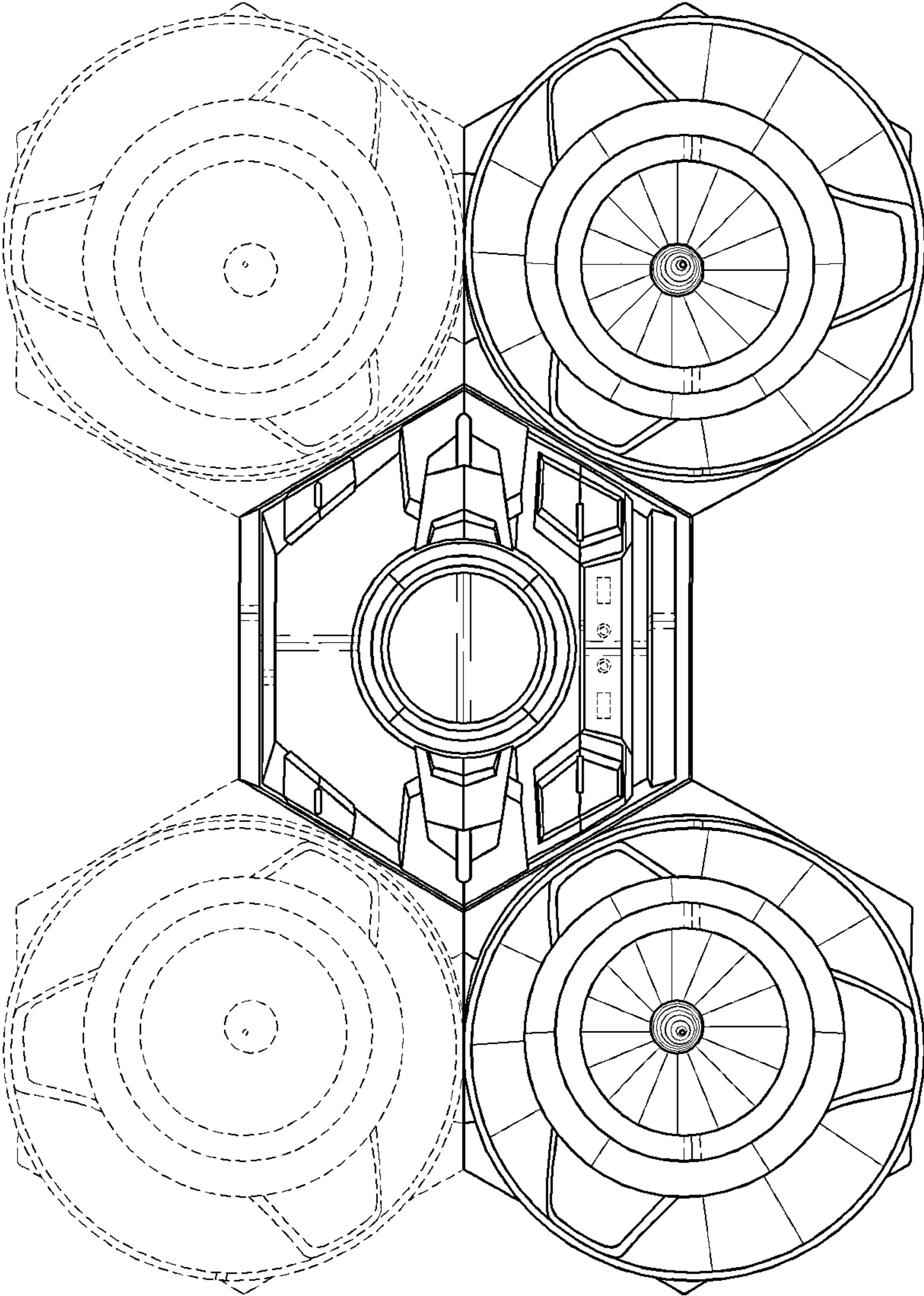


FIG. 10

