

US00D723001S

(12) **United States Design Patent**  
**Park et al.**

(10) **Patent No.:** **US D723,001 S**  
(45) **Date of Patent:** **\*\* Feb. 24, 2015**

(54) **SPEAKER FOR HOME THEATER**

(71) Applicant: **LG Electronics Inc.**, Seoul (KR)

(72) Inventors: **Sooyoung Park**, Seoul (KR); **Yongsoo Kim**, Seoul (KR)

(73) Assignee: **LG Electronics Inc.**, Seoul (KR)

(\*\*) Term: **14 Years**

(21) Appl. No.: **29/455,781**

(22) Filed: **May 24, 2013**

(30) **Foreign Application Priority Data**

Dec. 6, 2012 (KR) ..... 30-2012-0058761

(51) **LOC (10) Cl.** ..... **14-03**

(52) **U.S. Cl.**  
USPC ..... **D14/213; D14/215**

(58) **Field of Classification Search**

CPC ..... H04M 1/03; H04M 1/035; H04R 1/02;  
H04R 1/06; H04R 1/021; H04R 1/025;  
H04R 1/026; H04R 1/105; H04R 1/323;  
H04R 1/345; H04R 1/403; H04R 1/2803;  
H04R 1/2834; H04R 5/02; H04R 7/20;  
H04R 9/06; H04R 9/025; H04R 2201/021;  
H04R 2400/07; H04R 2499/11; H04R  
2499/13; H04R 2499/15; G06F 1/1688;  
H04N 5/642  
USPC ..... D14/167, 168, 170–172, 188, 194–196,  
D14/204, 207, 209.1, 210–216, 221, 222,  
D14/224; 181/143, 144, 147, 148, 150, 153,  
181/157, 198, 199; 381/300–303, 306, 332,  
381/333, 336, 345, 361–364, 386–388;  
369/6–12

See application file for complete search history.

(56) **References Cited**

U.S. PATENT DOCUMENTS

D451,494 S *	12/2001	Oikawa .....	D14/214
D522,492 S *	6/2006	Carbone .....	D14/211
D585,875 S *	2/2009	Matsuoka .....	D14/211
D645,448 S *	9/2011	Kim et al. ....	D14/211
D676,422 S *	2/2013	Onoue .....	D14/214
D683,330 S *	5/2013	Ryu et al. ....	D14/209.1
D687,812 S *	8/2013	Lee .....	D14/211
D695,270 S *	12/2013	Lam .....	D14/211

\* cited by examiner

*Primary Examiner* — Keli L Hill

(74) *Attorney, Agent, or Firm* — Morgan, Lewis & Bockius LLP

(57) **CLAIM**

The ornamental design for a speaker for home theater, as shown and described.

**DESCRIPTION**

FIG. 1 is a front, left side, perspective view of a speaker for home theater showing our new design;  
FIG. 2 is a front view thereof;  
FIG. 3 is a rear view thereof;  
FIG. 4 is a left side view thereof;  
FIG. 5 is a right side view thereof;  
FIG. 6 is a top view thereof;  
FIG. 7 is a bottom view thereof; and,  
FIG. 8 is an alternate perspective view thereof, shown with the front cover removed.  
The broken lines shown in the drawings represent unclaimed portions of the speaker for home theater and form no part of the claimed design.

**1 Claim, 7 Drawing Sheets**

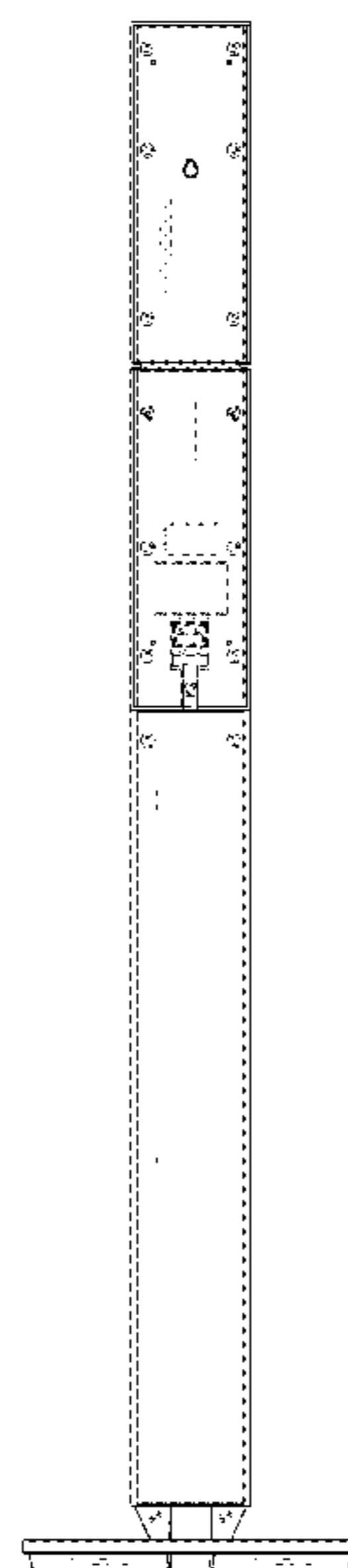
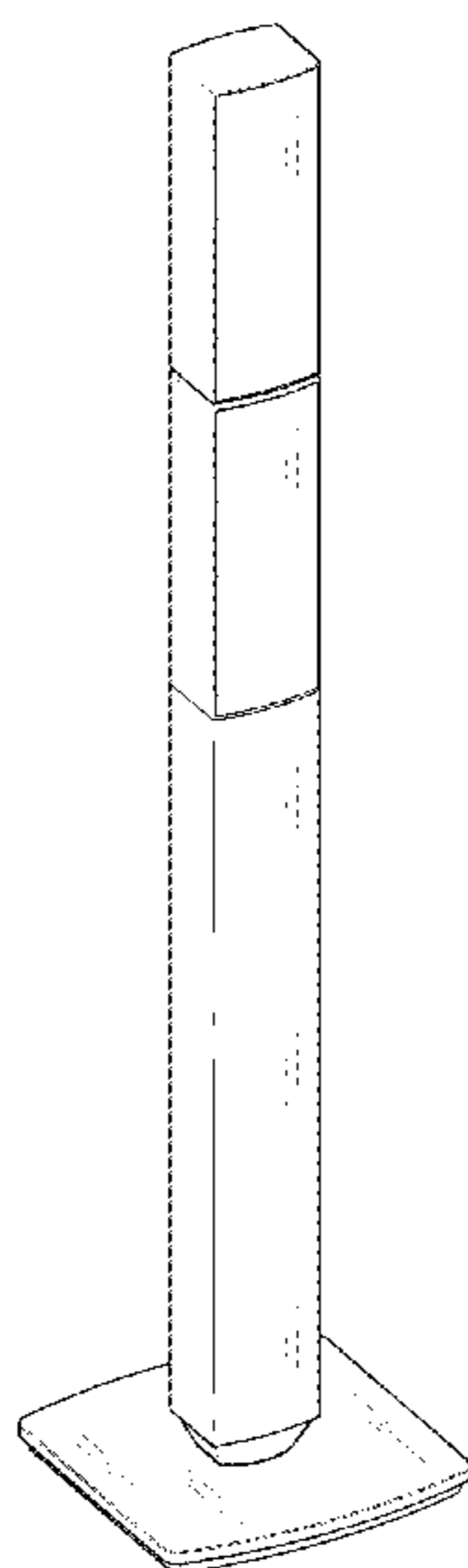


FIG. 1

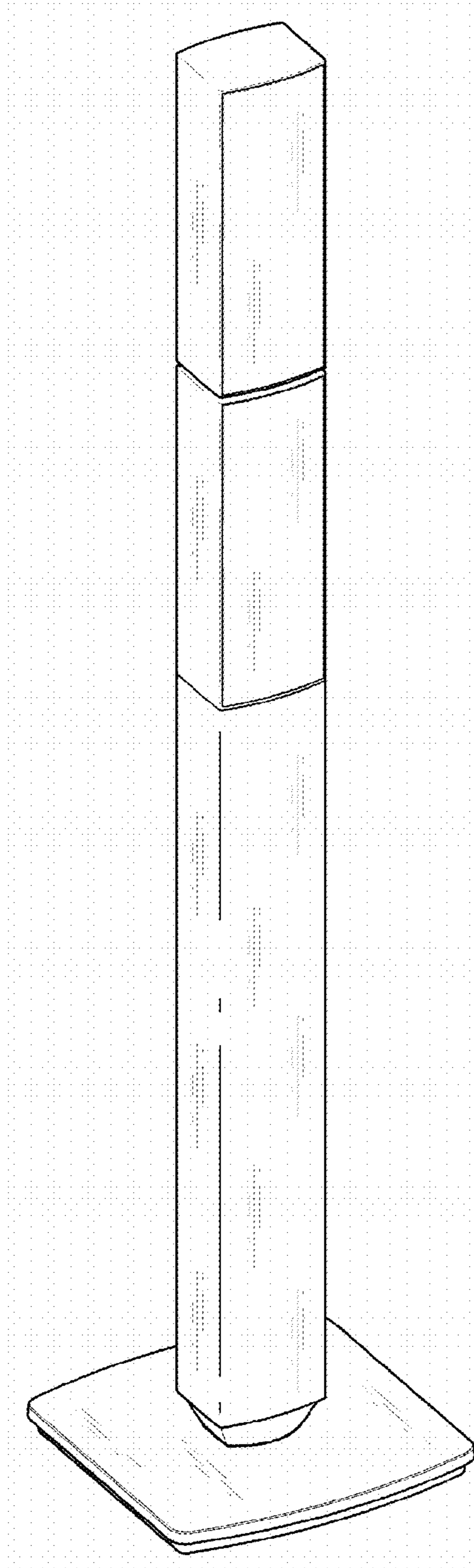


FIG. 2

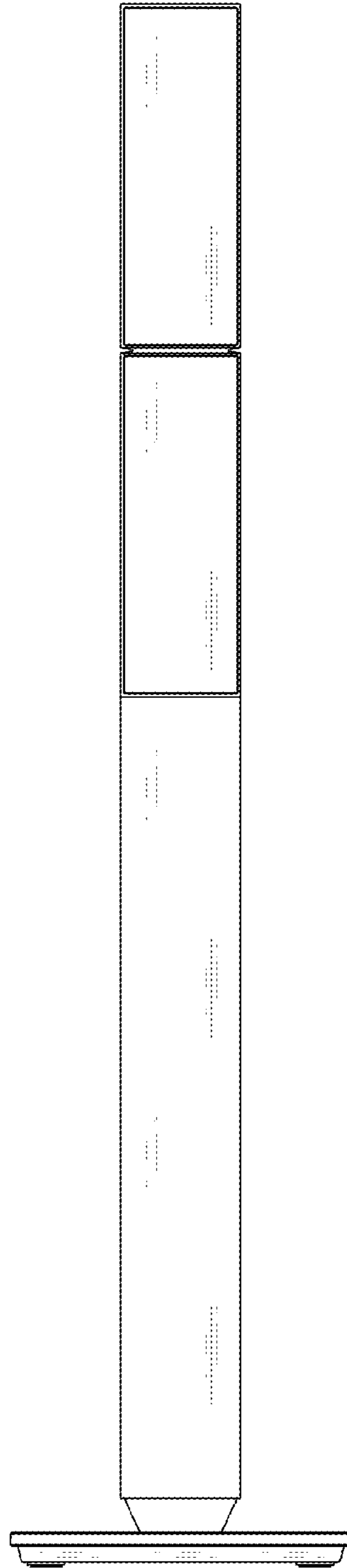


FIG. 3

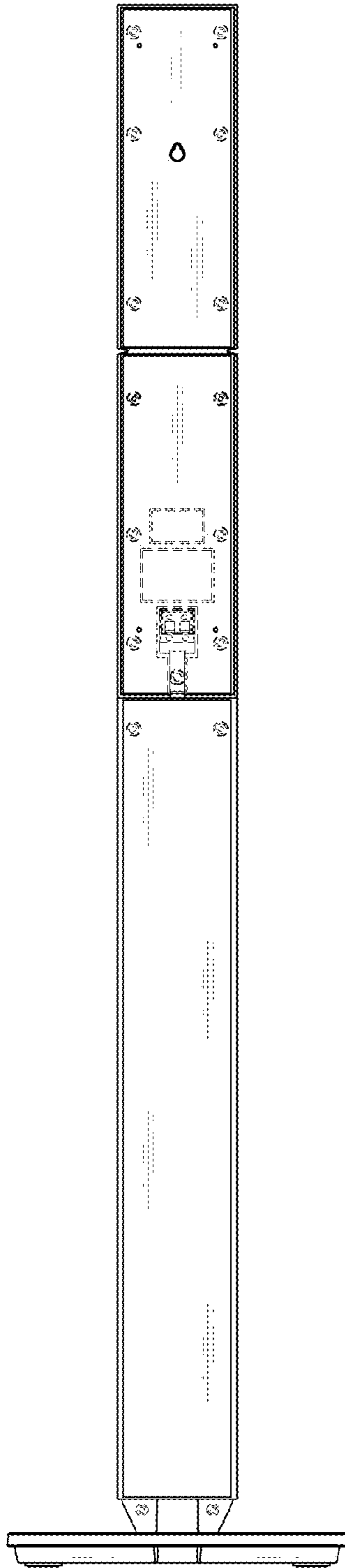


FIG. 4

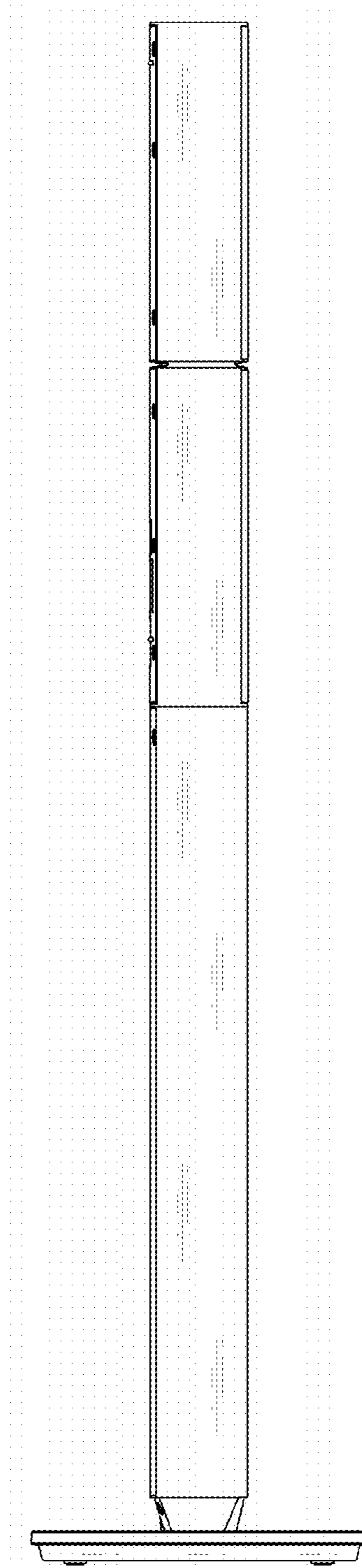


FIG. 5

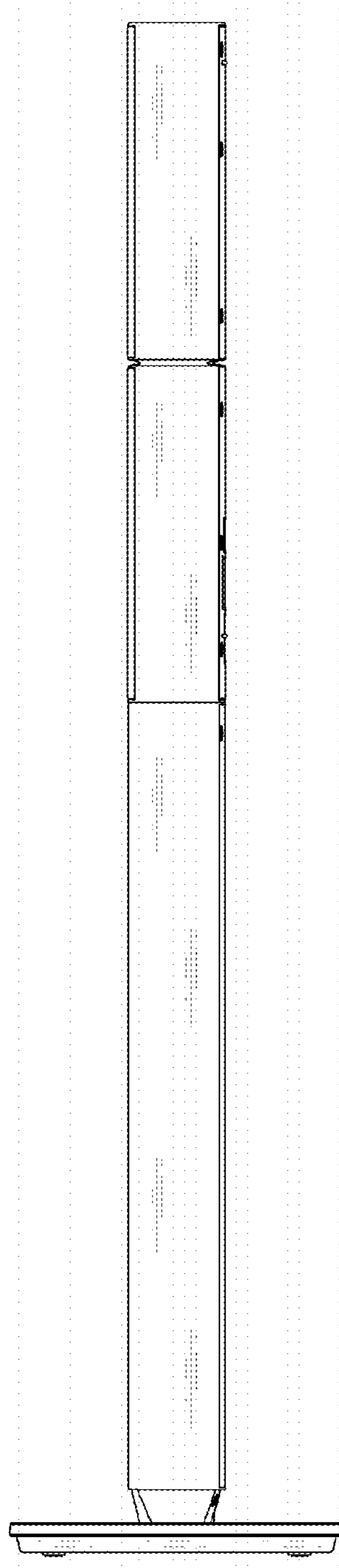


FIG. 6

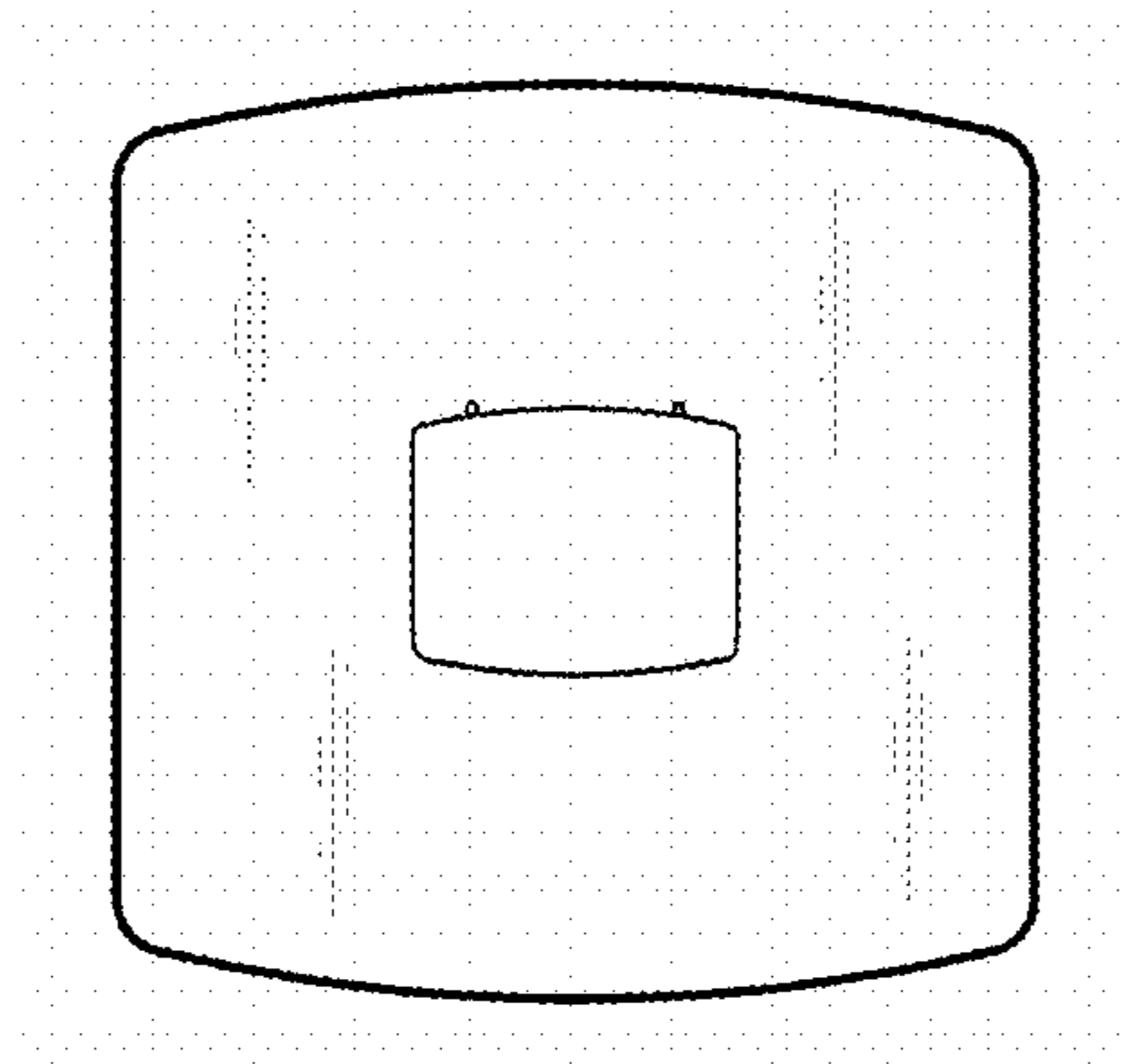


FIG. 7

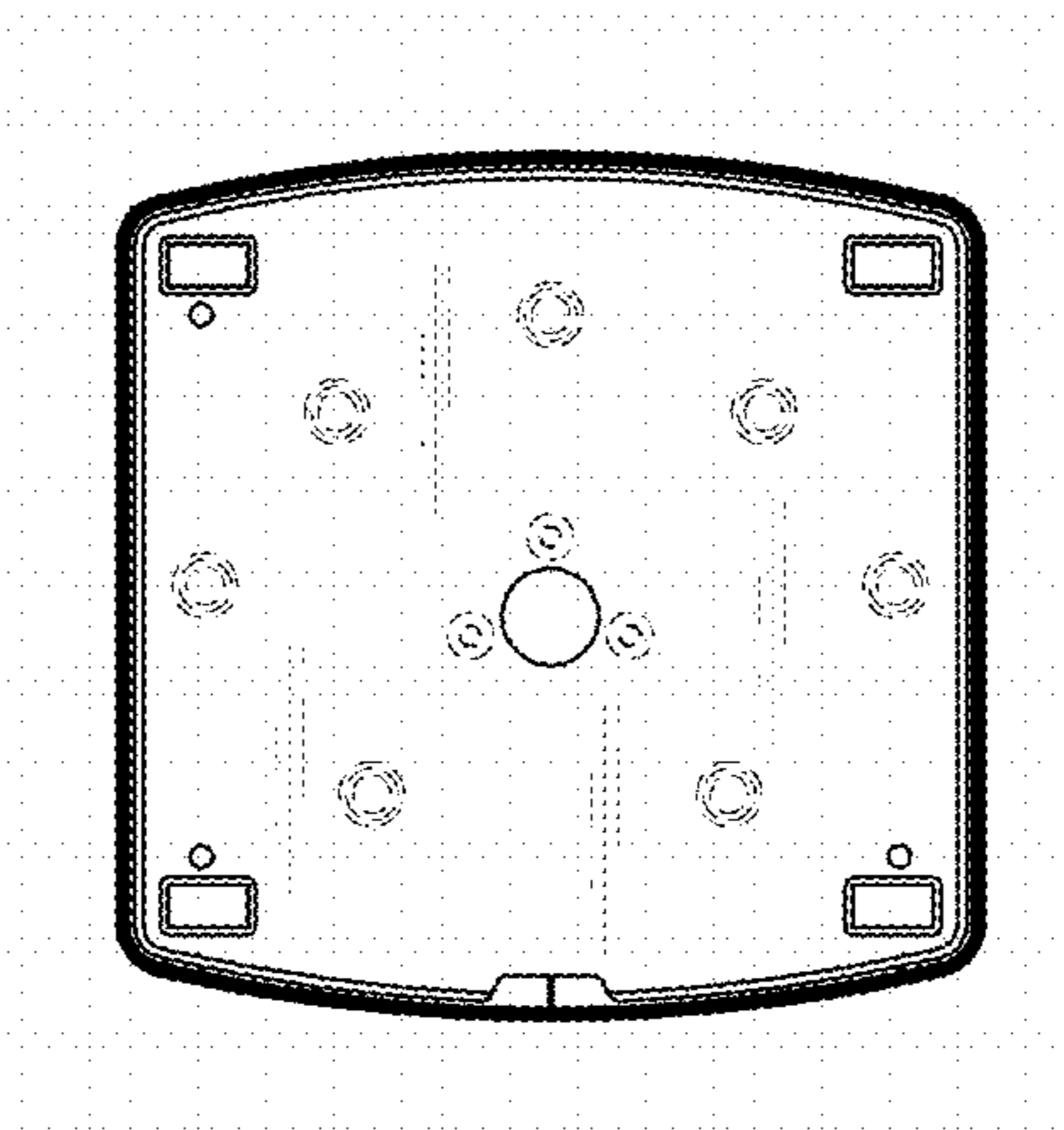


FIG. 8

