



US00D723000S

(12) **United States Design Patent**  
**Breines**

(10) **Patent No.:** **US D723,000 S**

(45) **Date of Patent:** **\*\* Feb. 24, 2015**

(54) **MULTIMEDIA SPEAKER DOCK SET**

(56) **References Cited**

(71) Applicant: **Robert Breines**, Westlake Village, CA  
(US)

U.S. PATENT DOCUMENTS

(72) Inventor: **Robert Breines**, Westlake Village, CA  
(US)

D391,963 S *	3/1998	Wong et al. ....	D14/214
D450,050 S *	11/2001	Marcum et al. ....	D14/214
D553,611 S *	10/2007	Gan .....	D14/214
D565,029 S *	3/2008	Ching .....	D14/214
D565,534 S *	4/2008	Ingalsbe et al. ....	D14/155
D573,135 S *	7/2008	Laituri et al. ....	D14/216
D579,443 S *	10/2008	Donovan et al. ....	D14/217
D589,026 S *	3/2009	Ang et al. ....	D14/168
D602,465 S *	10/2009	Mills et al. ....	D14/168
D657,741 S *	4/2012	Fahrendorff et al. ....	D13/108
D664,958 S *	8/2012	McManigal .....	D14/434
D672,350 S *	12/2012	Gioscia et al. ....	D14/434
D680,515 S *	4/2013	Beeckmans et al. ....	D14/172
D685,322 S *	7/2013	Szymanski et al. ....	D13/108
D692,009 S *	10/2013	Ashida et al. ....	D14/447
D704,633 S *	5/2014	Ryu et al. ....	D13/108
D709,075 S *	7/2014	Miniard .....	D14/447

(\*\*) Term: **14 Years**

(21) Appl. No.: **29/468,787**  
**n**

(22) Filed: **Oct. 3, 2013**

\* cited by examiner

(51) **LOC (10) Cl.** ..... **14-03**

*Primary Examiner* — Keli L Hill

(52) **U.S. Cl.**  
USPC ..... **D14/209.1**

(57) **CLAIM**

(58) **Field of Classification Search**  
USPC ..... D14/142, 149, 155, 157, 167, 168, 170,  
D14/172, 188, 191–196, 203.1–203.8, 204,  
D14/207, 209.1, 210–217, 219, 221, 222,  
D14/224, 238.1, 251, 253, 432–435.1, 447,  
D14/451, 474, 480.1–480.7, 496; D13/107,  
D13/108, 118; D3/218; 248/221.11, 309.1;  
320/107, 110, 113–115; 361/600;  
439/529, 534; 455/556.1–556.2, 557;  
181/143, 144, 147, 148, 150, 153, 157,  
181/198, 199; 381/300–303, 306, 332, 333,  
381/336, 345, 361–364, 386–388;  
369/6–12

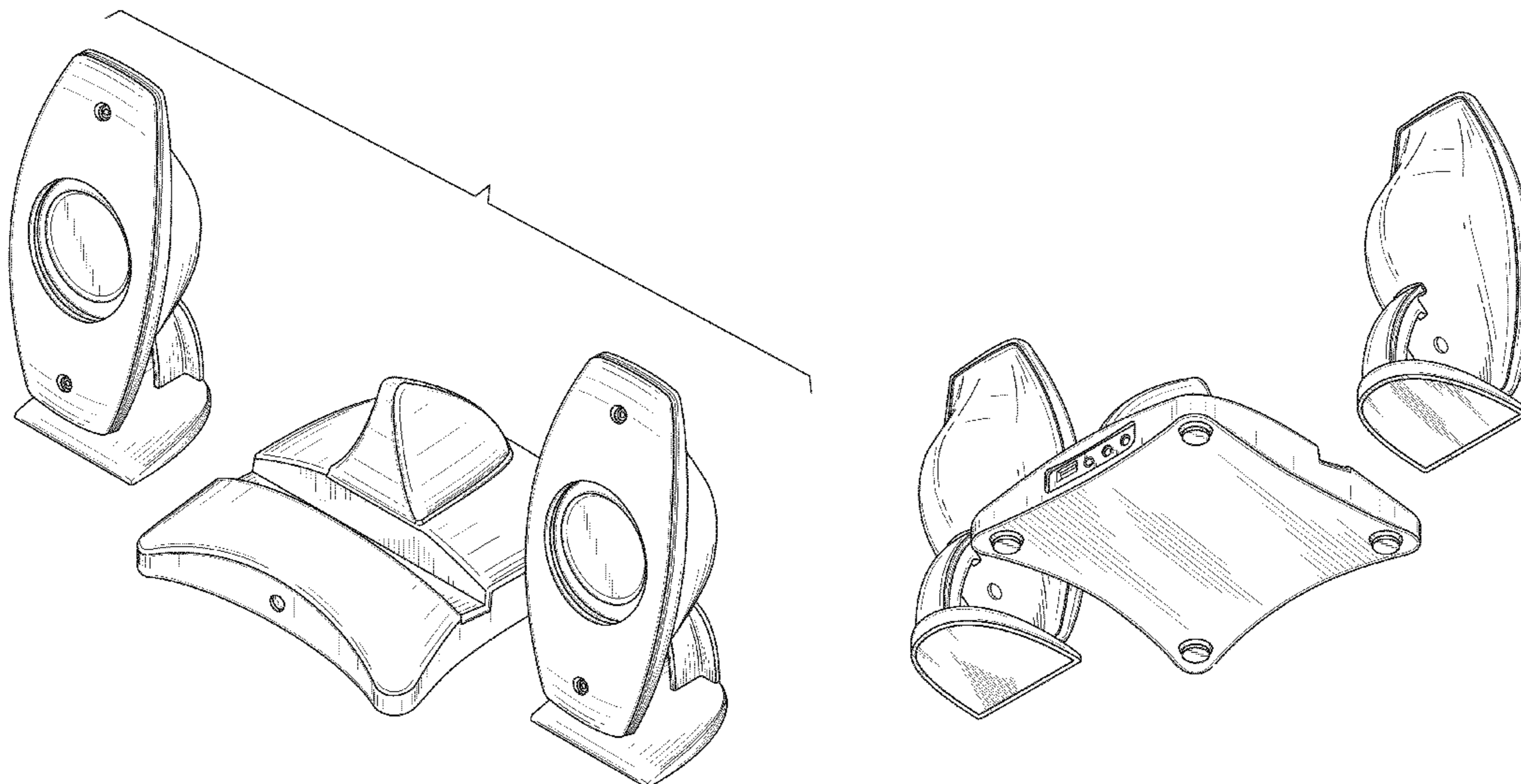
I claim the ornamental design for a multimedia speaker dock set, as shown and described.

**DESCRIPTION**

FIG. 1 is a perspective view of a multimedia speaker dock set, showing the new design;  
FIG. 2 is a front elevational view thereof;  
FIG. 3 is a rear elevational view thereof;  
FIG. 4 is a top plan view thereof;  
FIG. 5 is a bottom plan view thereof;  
FIG. 6 is a left-side elevational view thereof, the right-side elevational view being a mirror image thereto; and,  
FIG. 7 is an alternate perspective view thereof.

See application file for complete search history.

**1 Claim, 4 Drawing Sheets**



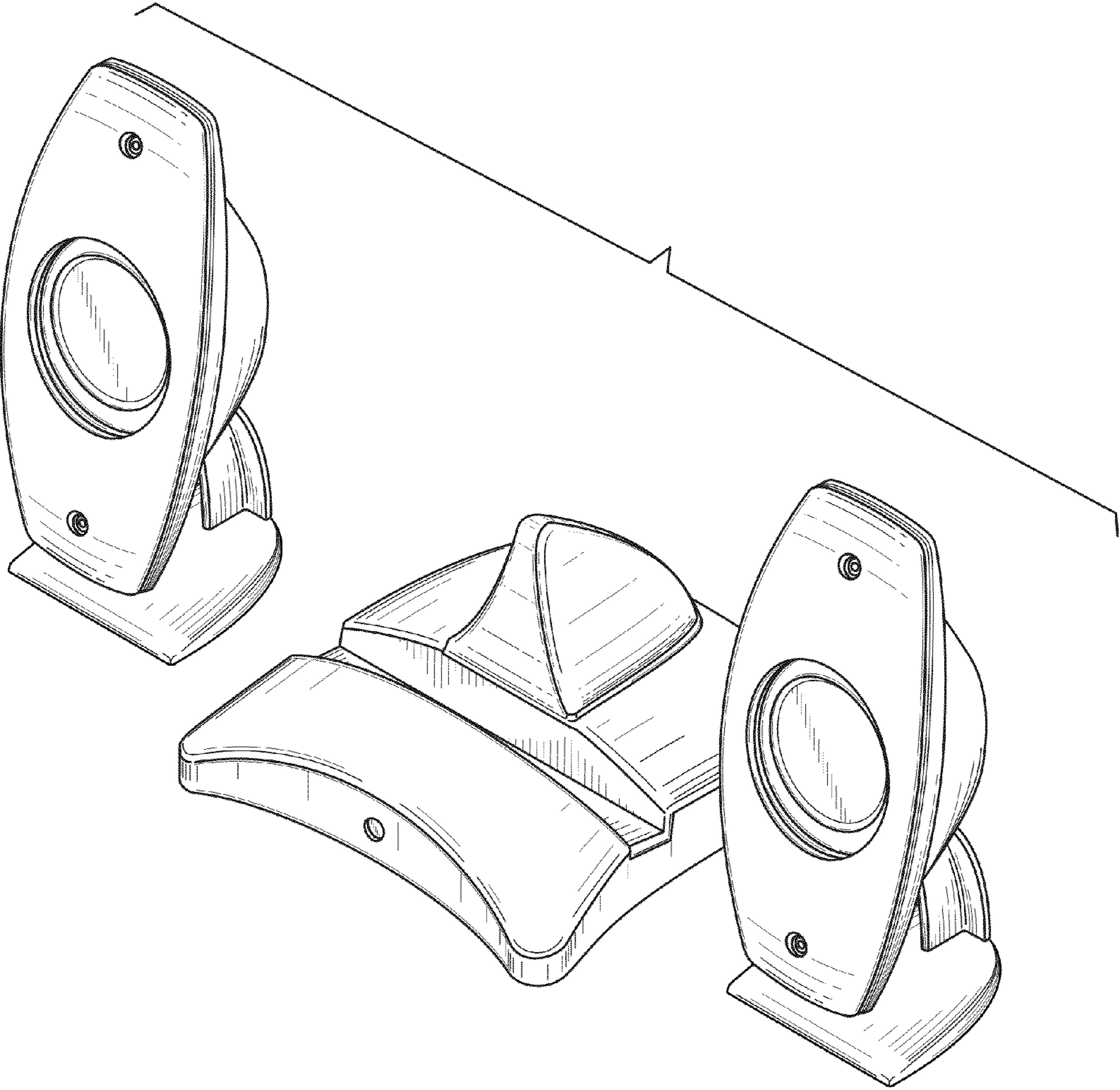


FIG. 1

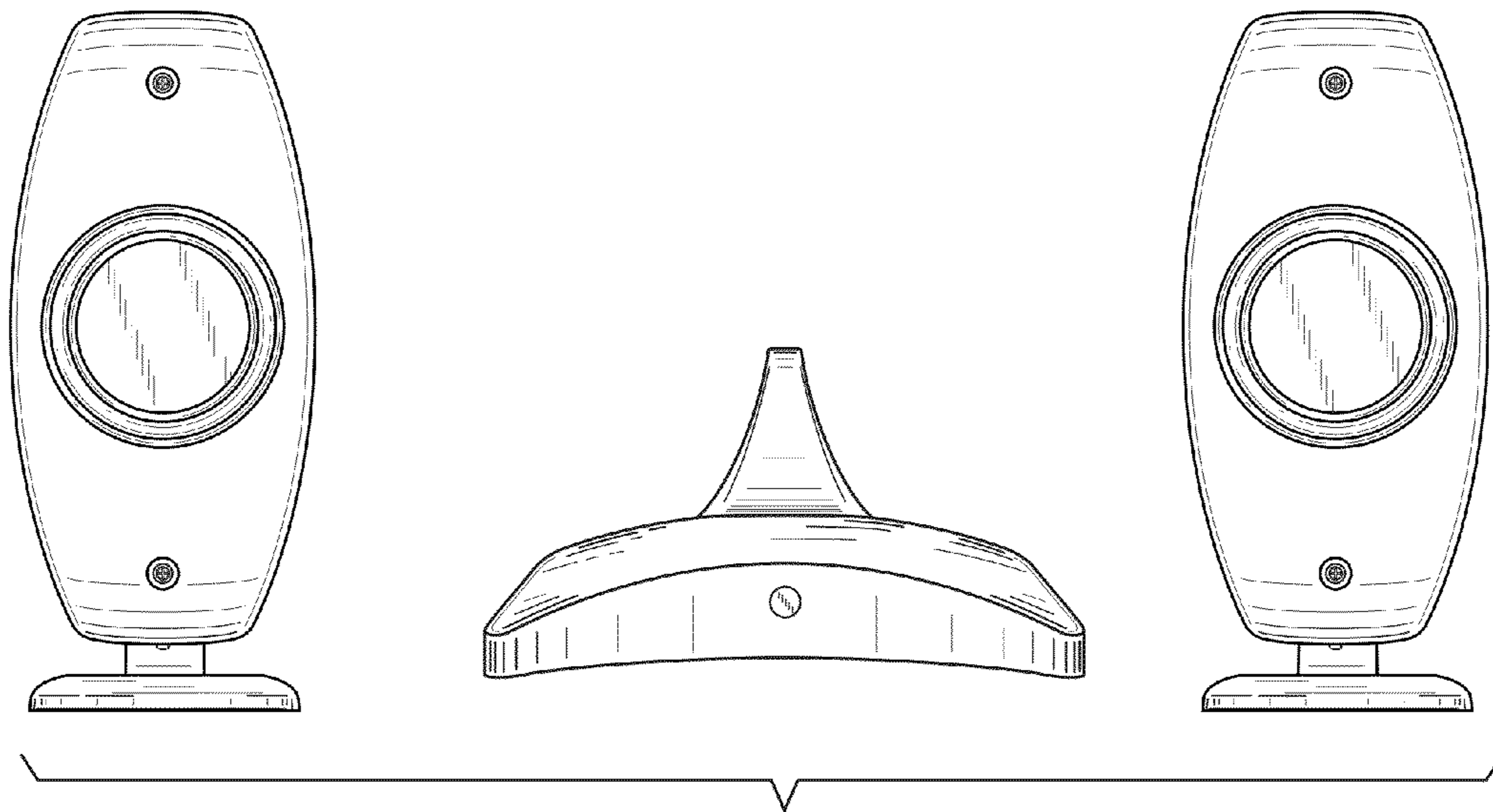


FIG. 2

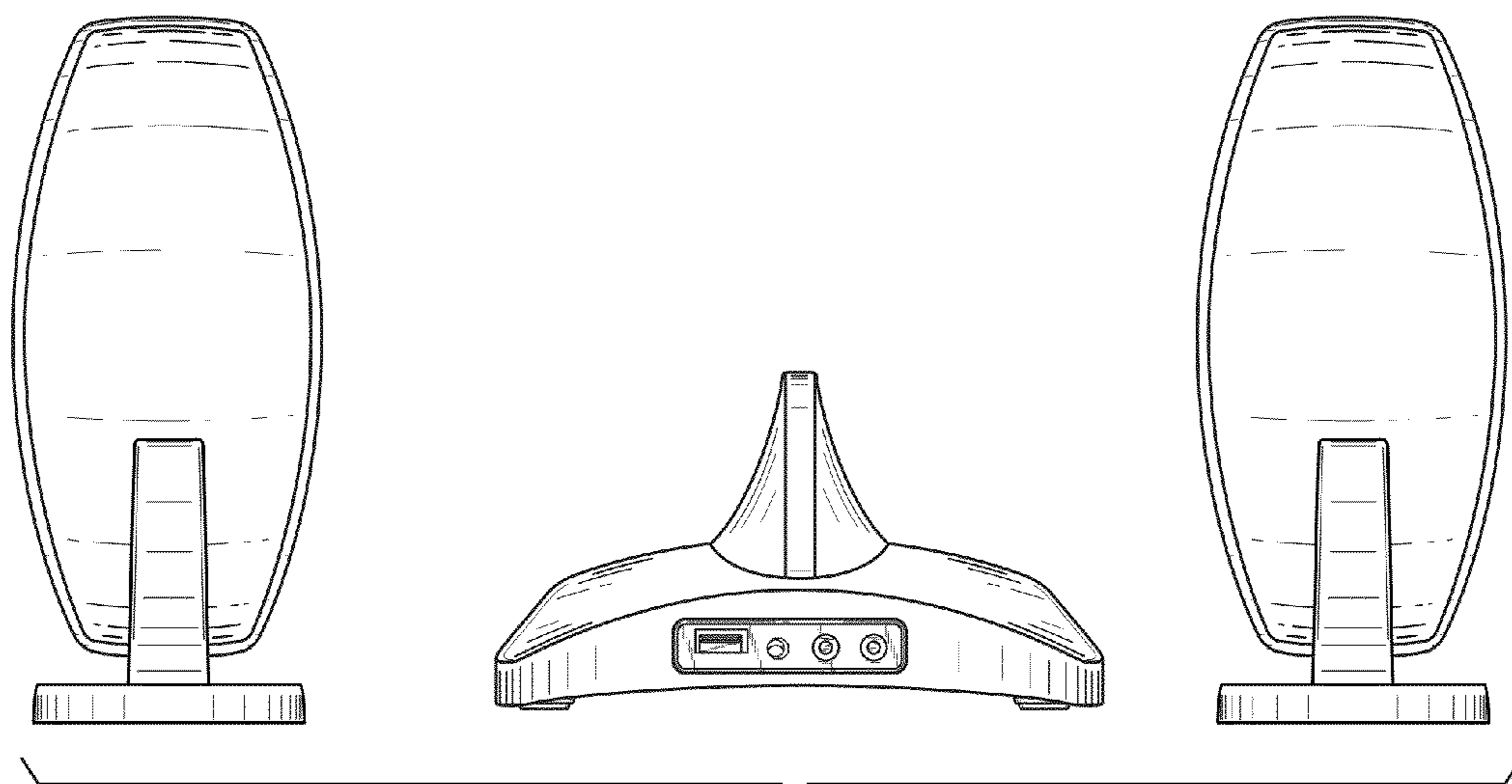


FIG. 3

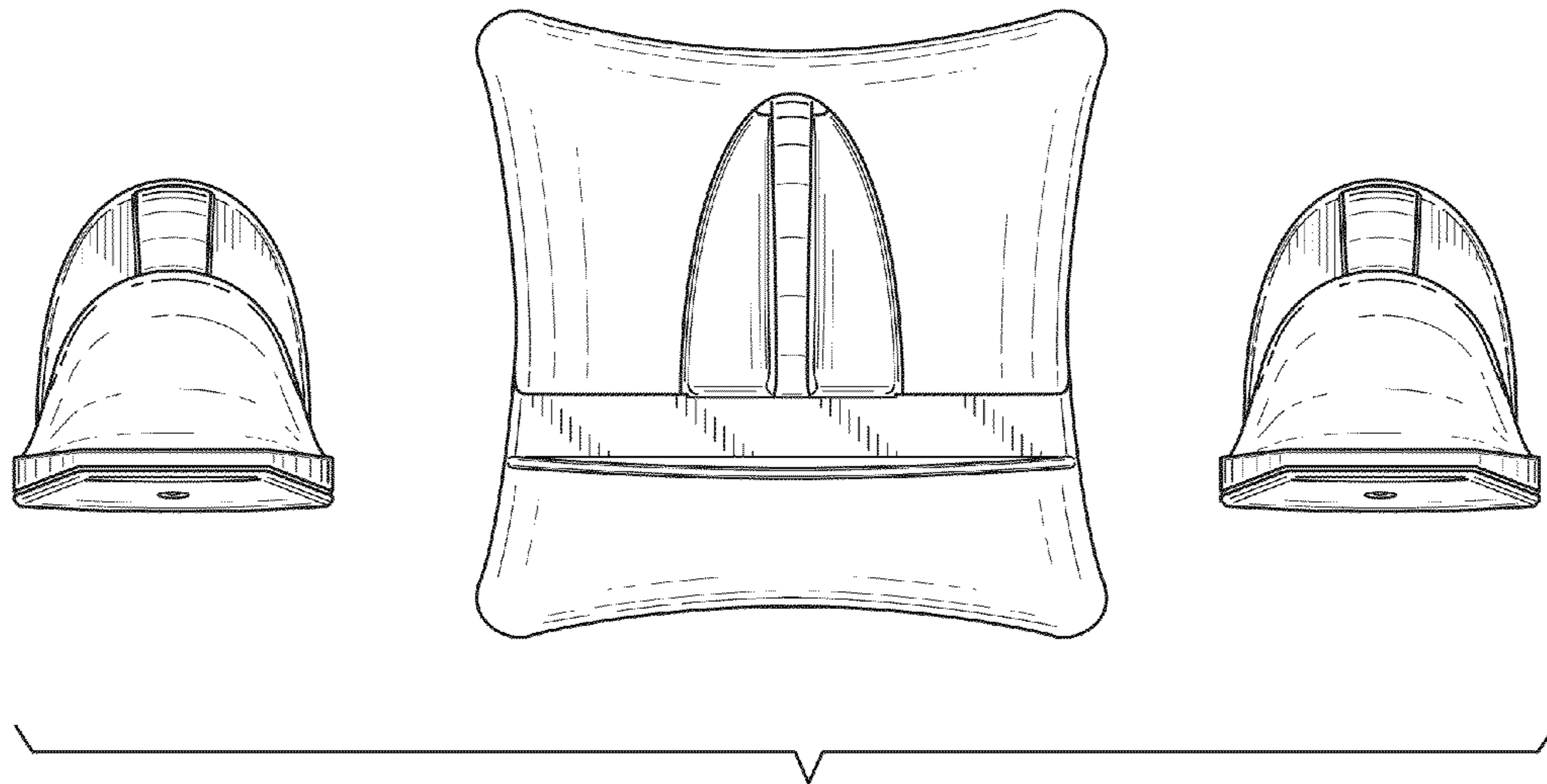


FIG. 4

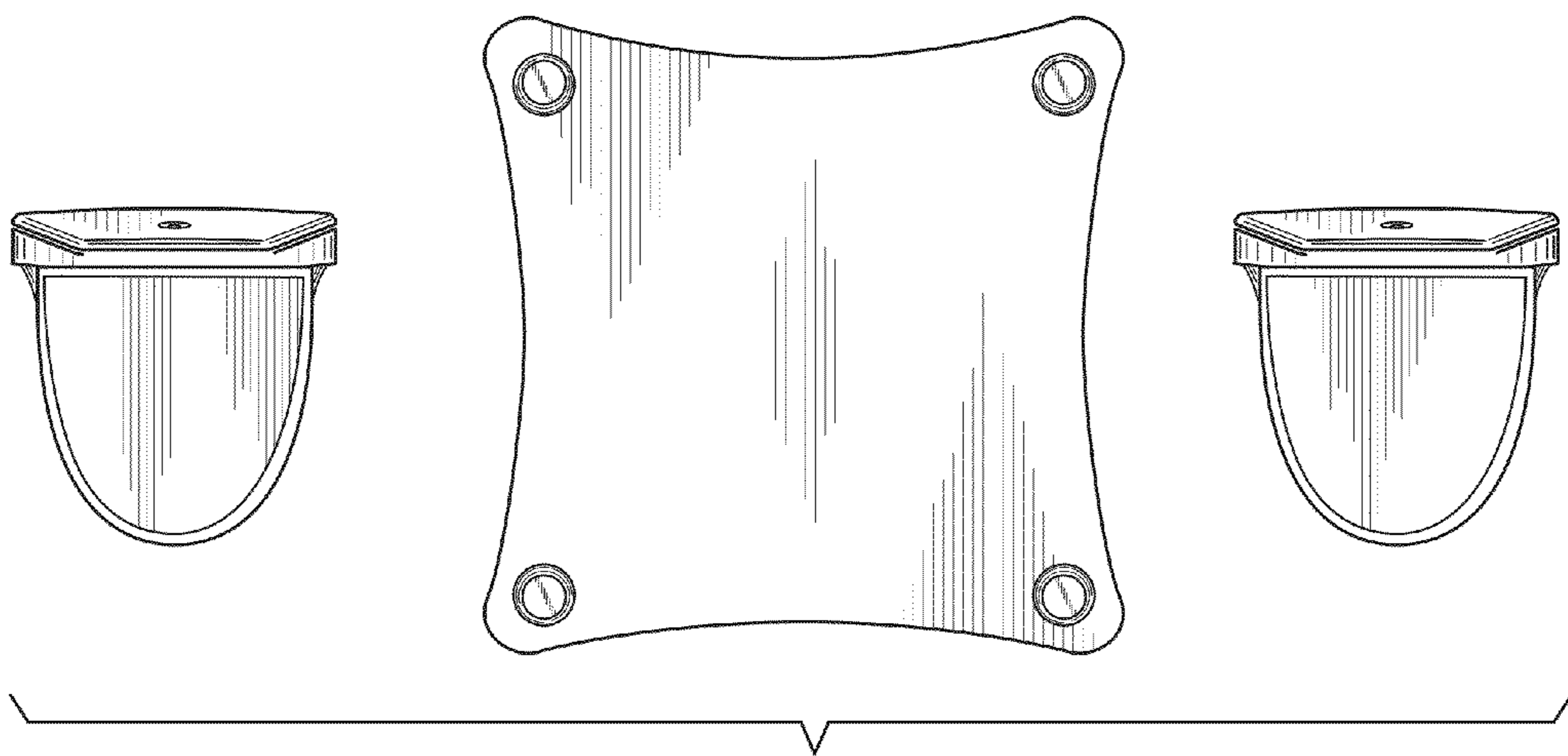


FIG. 5

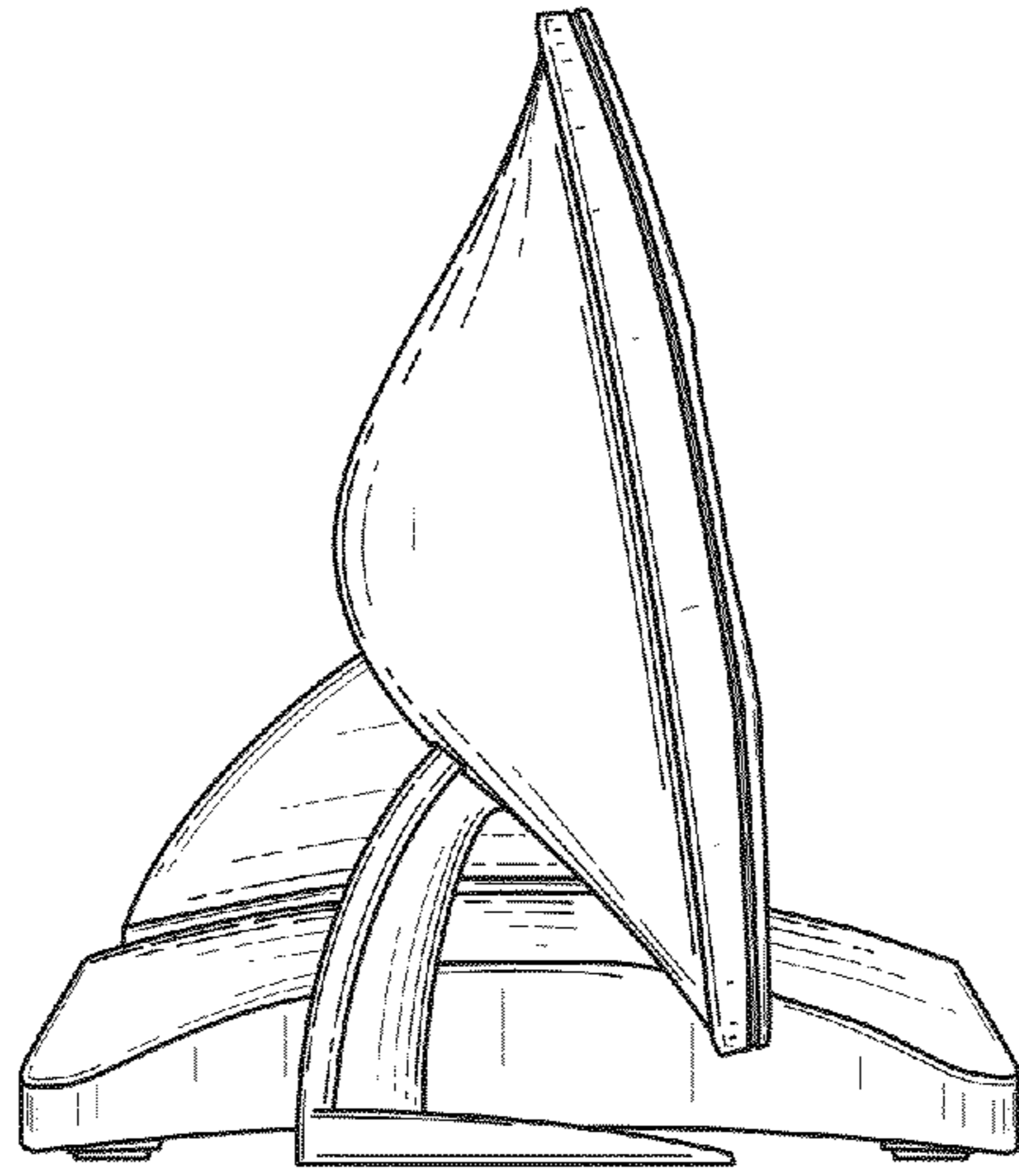


FIG. 6

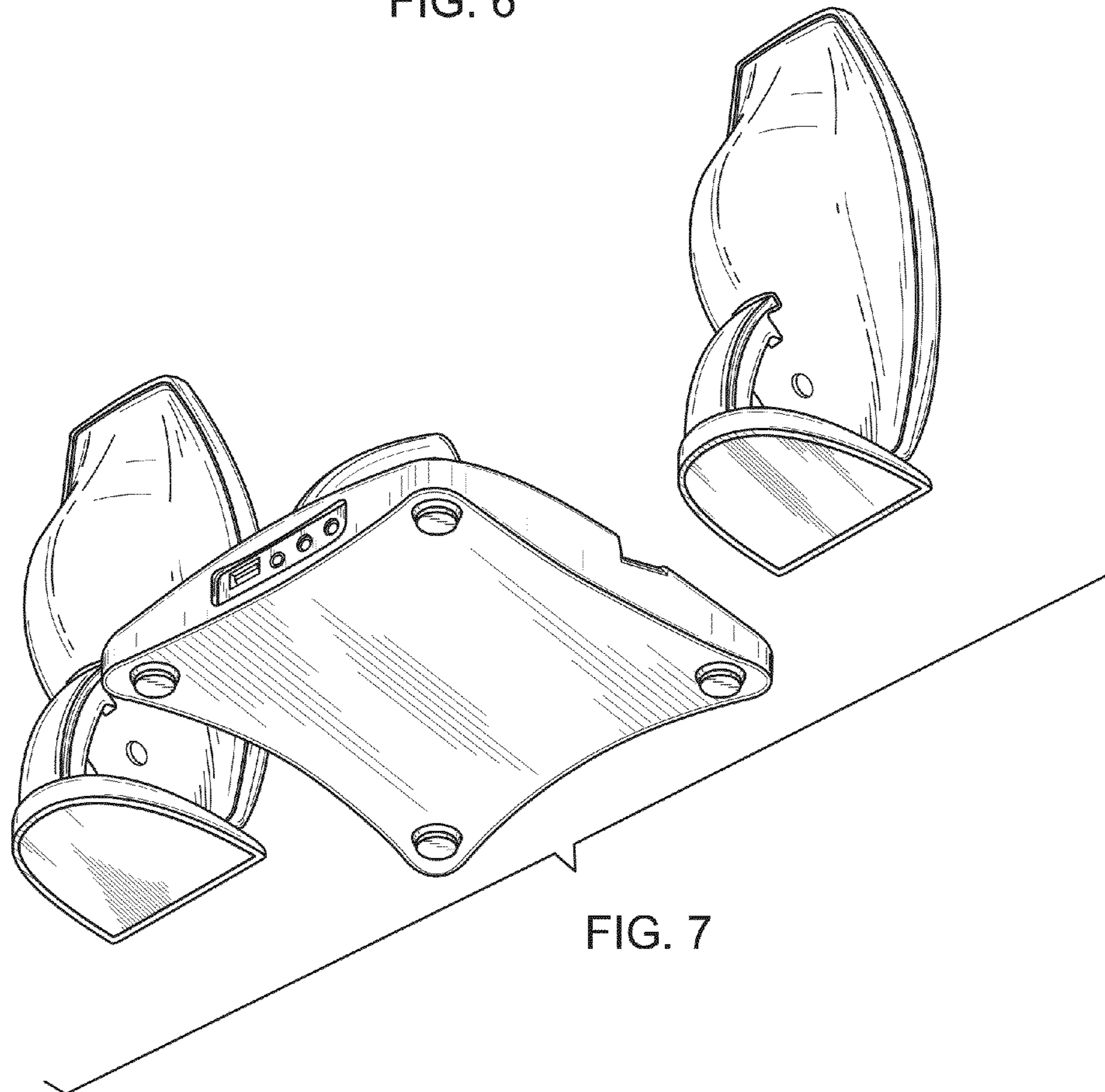


FIG. 7