



US00D722998S

(12) **United States Design Patent**
Sancho et al.

(10) **Patent No.:** **US D722,998 S**

(45) **Date of Patent:** **** Feb. 24, 2015**

(54) **HEADPHONES**

(71) Applicant: **Aedle SAS**, Bois-Colombes (FR)

(72) Inventors: **Baptiste Sancho**, Versailles (FR);
Raphael Lebas de Lacour,
Bois-Colombes (FR)

(**) Term: **14 Years**

(21) Appl. No.: **29/477,785**

(22) Filed: **Dec. 26, 2013**

(51) **LOC (10) Cl.** **14-01**

(52) **U.S. Cl.**
USPC **D14/205**

(58) **Field of Classification Search**
CPC H04R 1/1066
USPC D14/205, 223; D29/112; 2/209;
181/129, 130, 135; 379/430, 431;
381/380, 381, 374, 375; 455/90.3,
455/575.1

See application file for complete search history.

(56) **References Cited**

U.S. PATENT DOCUMENTS

1,555,997	A *	10/1925	Lidberg	381/378
2,149,341	A *	3/1939	Harrison	381/379
2,420,245	A *	5/1947	Hurst	2/209
2,437,049	A *	3/1948	Salisbury et al.	128/866
2,501,107	A *	3/1950	Volkman	381/378
2,782,423	A *	2/1957	Simon et al.	2/209
3,440,663	A *	4/1969	Beguin	2/209
3,505,684	A *	4/1970	Hutchinson et al.	2/209
3,562,816	A *	2/1971	Hutchinson et al.	2/209
D246,259	S *	11/1977	Nishimura et al.	D14/205
D262,019	S *	11/1981	Upshaw	D14/205

4,403,120	A *	9/1983	Yoshimi	381/380
4,472,607	A *	9/1984	Houng	181/18
4,597,469	A *	7/1986	Nagashima	181/129
D299,454	S *	1/1989	Kwong	D14/205
5,293,647	A *	3/1994	Mirmilshteyn et al.	2/209
5,862,241	A *	1/1999	Nelson	381/379
D538,261	S *	3/2007	Taylor et al.	D14/205
D560,654	S *	1/2008	Feng	D14/205
D573,581	S *	7/2008	Gondo et al.	D14/205
D581,394	S *	11/2008	Lee	D14/205
D588,100	S *	3/2009	Densho et al.	D14/205
D620,474	S *	7/2010	Komiyama	D14/205
D633,895	S *	3/2011	Morimoto	D14/205
8,295,529	B2 *	10/2012	Petersen et al.	381/374
D684,141	S *	6/2013	Takamoto	D14/205
D691,583	S *	10/2013	Kitayama	D14/205
8,755,555	B2 *	6/2014	Dougherty et al.	381/378
D708,164	S *	7/2014	Ishikura	D14/205
D713,374	S *	9/2014	Farrage	D14/205
2013/0087404	A1 *	4/2013	Peskar et al.	181/129

* cited by examiner

Primary Examiner — Paula Greene

(74) *Attorney, Agent, or Firm* — Richards Patent Law P.C.

(57) **CLAIM**

The ornamental design for headphones, as shown and described.

DESCRIPTION

FIG. 1 is a top perspective view of headphones; FIG. 2 is a front view of the headphones; FIG. 3 is a back view of the headphones; FIG. 4 is a right side view of the headphones; FIG. 5 is a left side view of the headphones; FIG. 6 is a top view of the headphones; and, FIG. 7 is a bottom view of the headphones.

1 Claim, 5 Drawing Sheets

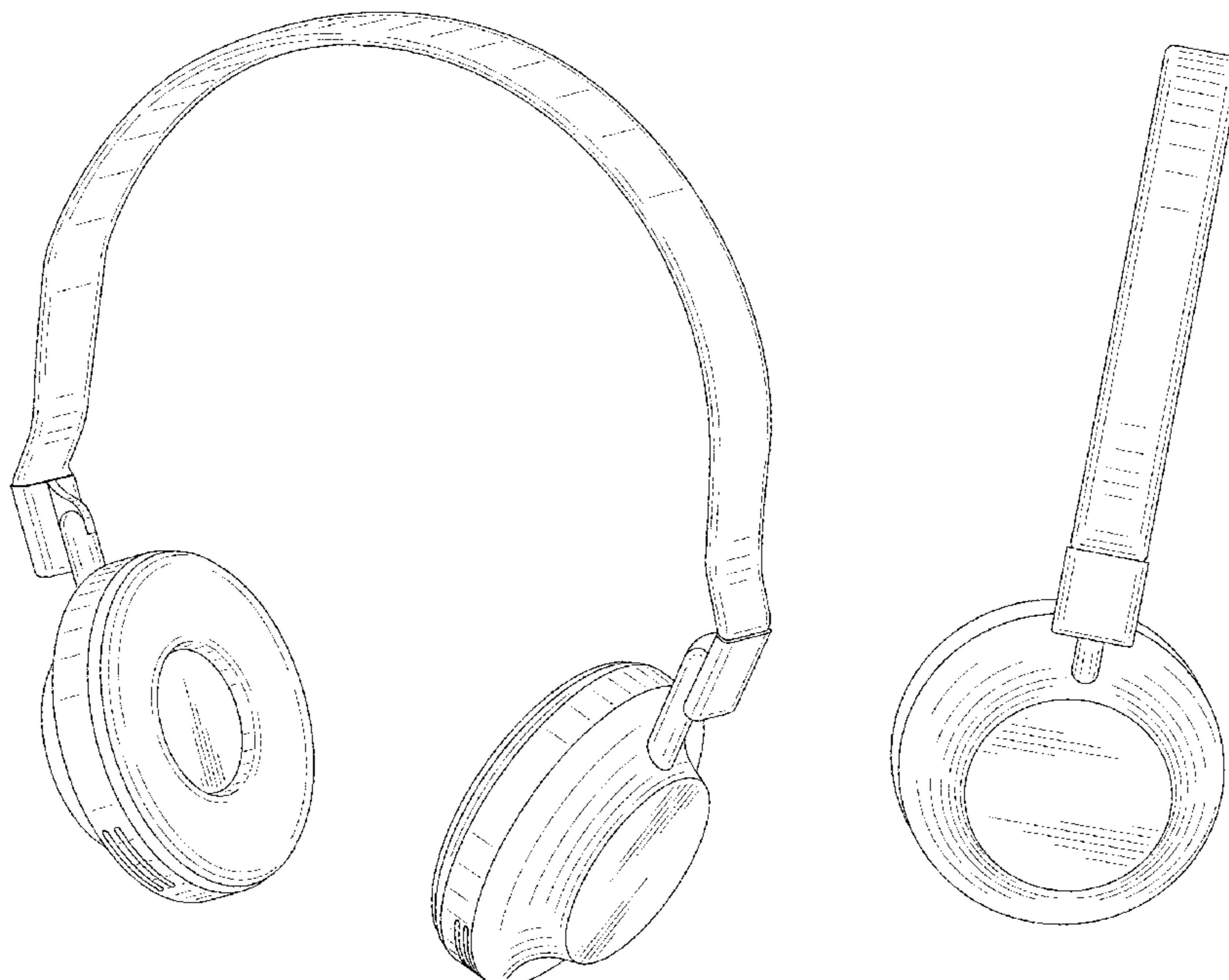


FIG. 1

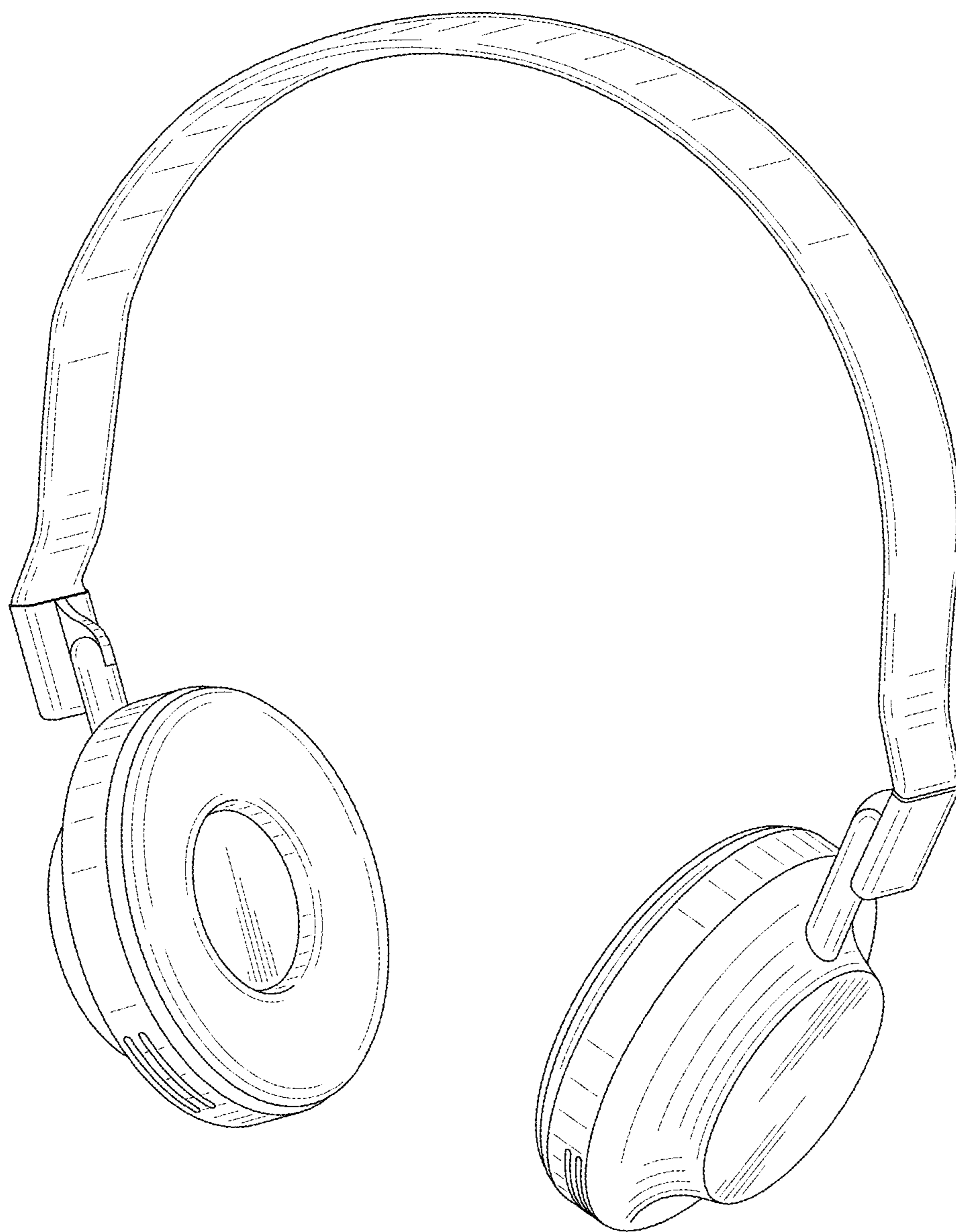


FIG. 2



FIG. 3



FIG. 4

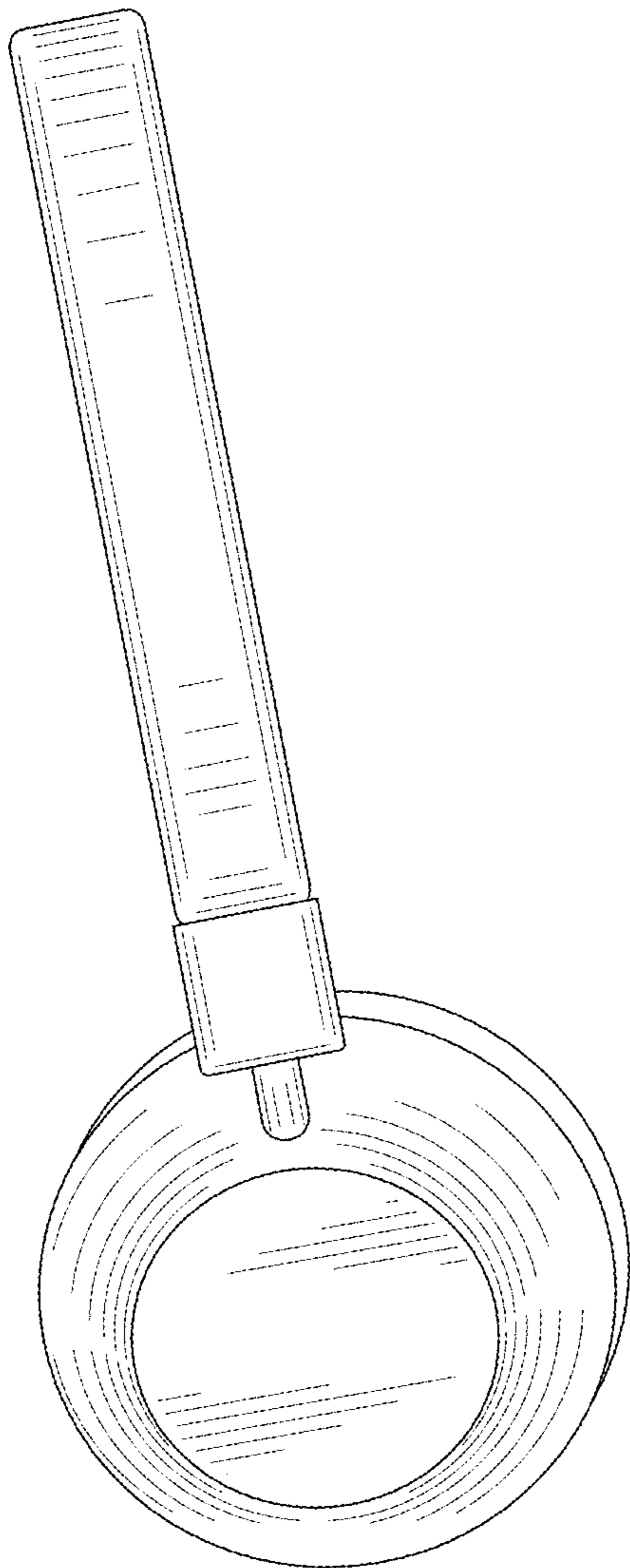


FIG. 5

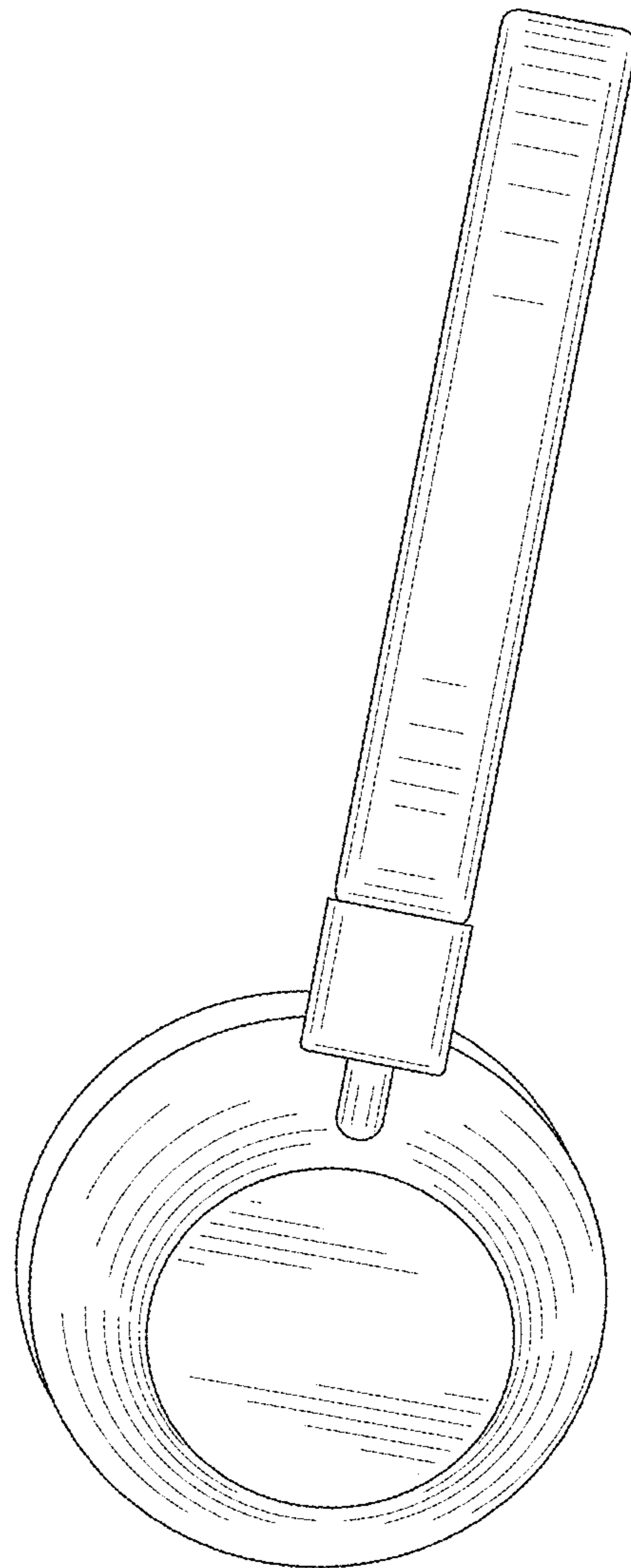


FIG. 6

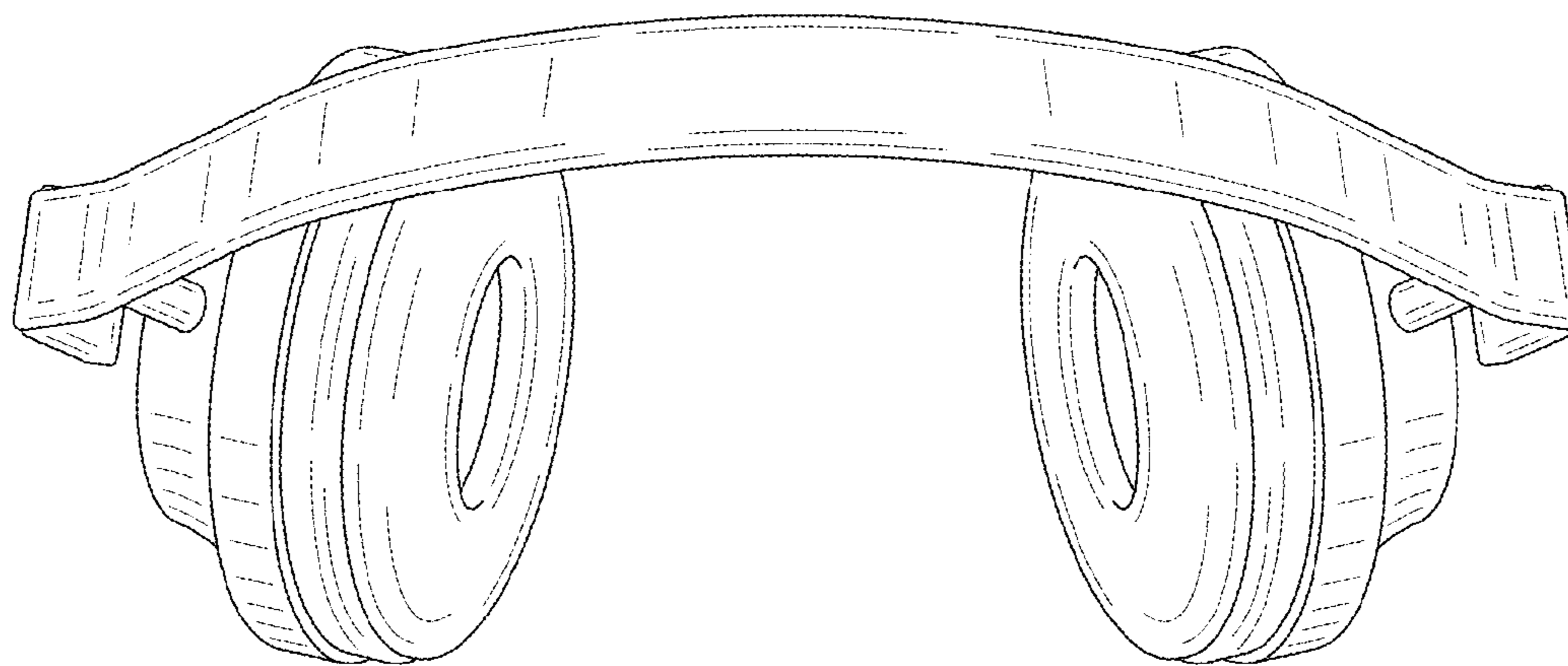


FIG. 7

