



US00D722997S

(12) **United States Design Patent**  
**Lee et al.**

(10) **Patent No.:** **US D722,997 S**  
(45) **Date of Patent:** **\*\* Feb. 24, 2015**

(54) **HEADPHONES**

(71) Applicant: **Monster, LLC**, Las Vegas, NV (US)

(72) Inventors: **Noel Lee**, Las Vegas, NV (US);  
**Kendrew Lee**, Hong Kong (CN)

(73) Assignee: **Monster LLC**, Las Vegas, NV (US)

(\*\*) Term: **14 Years**

(21) Appl. No.: **29/476,976**

(22) Filed: **Dec. 18, 2013**

(51) **LOC (10) Cl.** ..... **14-01**

(52) **U.S. Cl.**  
USPC ..... **D14/205**

(58) **Field of Classification Search**  
CPC ..... H04R 1/1066  
USPC ..... D14/205; D29/112; 2/209; 379/430,  
379/431; 381/380, 381, 374, 384; 455/90.3,  
455/575.1

See application file for complete search history.

(56) **References Cited**

**U.S. PATENT DOCUMENTS**

D637,176 S *	5/2011	Brunner et al.	.....	D14/205
D657,344 S *	4/2012	Brunner et al.	.....	D14/205
D657,345 S *	4/2012	Brunner et al.	.....	D14/205
D662,080 S *	6/2012	Carr et al.	.....	D14/205
8,213,667 B2 *	7/2012	Nelson et al.	.....	381/378

8,270,658 B2 *	9/2012	Goldberg et al.	.....	381/384
D673,519 S *	1/2013	Tan	.....	D14/205
D677,242 S *	3/2013	Lee et al.	.....	D14/205
D677,647 S *	3/2013	Lee et al.	.....	D14/205
D689,843 S *	9/2013	Lee	.....	D14/205
D690,682 S *	10/2013	Iacovelli et al.	.....	D14/205
D696,226 S *	12/2013	Brunner et al.	.....	D14/205
D705,750 S *	5/2014	Wu et al.	.....	D14/205
D707,200 S *	6/2014	Yang	.....	D14/205
D708,163 S *	7/2014	Ishikura	.....	D14/205

\* cited by examiner

*Primary Examiner* — Paula Greene

(74) *Attorney, Agent, or Firm* — John Nielsen; Sentinel IP

(57) **CLAIM**

The ornamental design for headphones, as shown and described.

**DESCRIPTION**

FIG. 1 is a perspective view of headphones, showing the new design;

FIG. 2 is a front view thereof;

FIG. 3 is a rear view thereof;

FIG. 4 is a side view thereof;

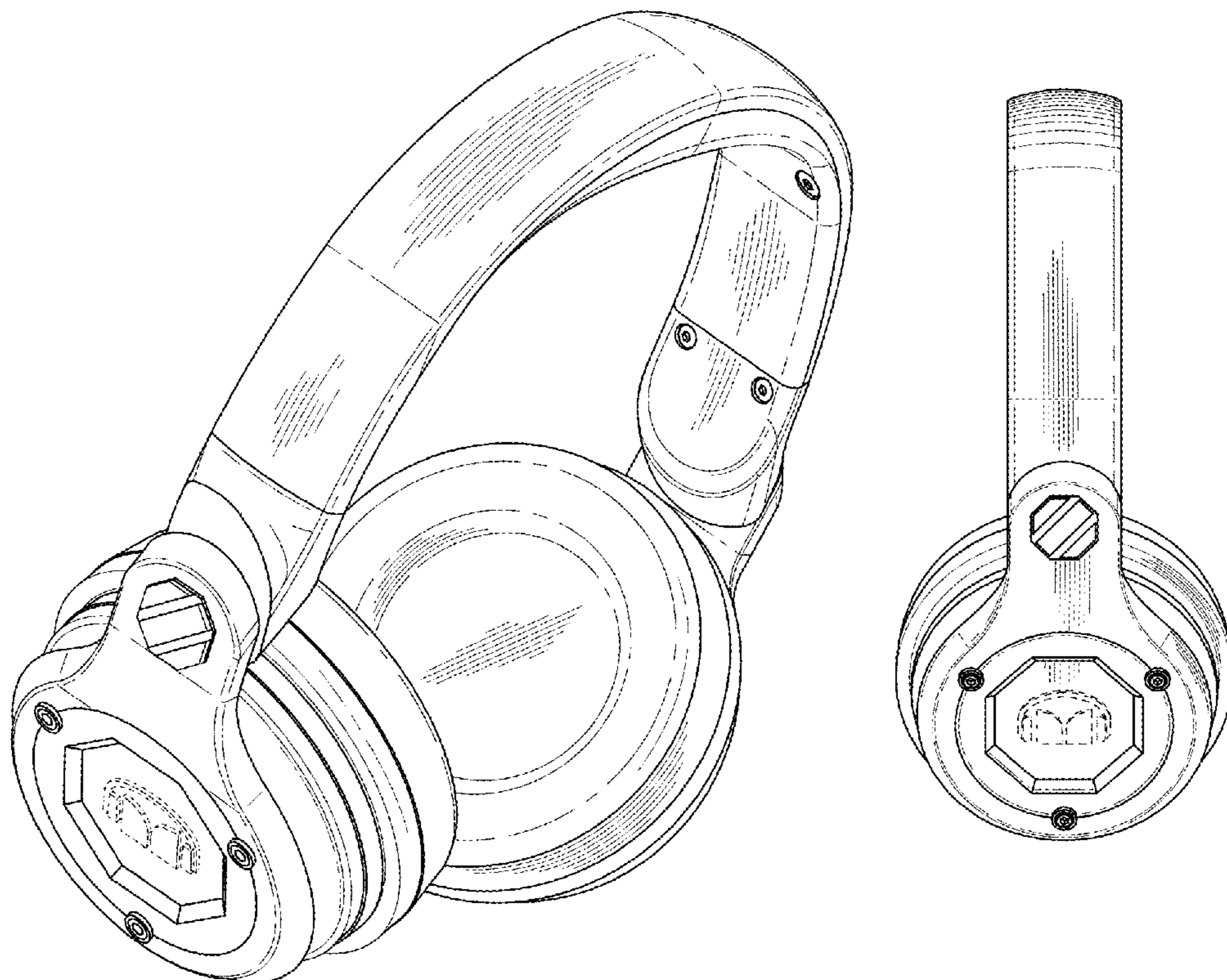
FIG. 5 is a side view thereof;

FIG. 6 is a top view thereof; and,

FIG. 7 is a bottom view thereof.

The broken lines of the headphones form no part of the claimed design.

**1 Claim, 3 Drawing Sheets**



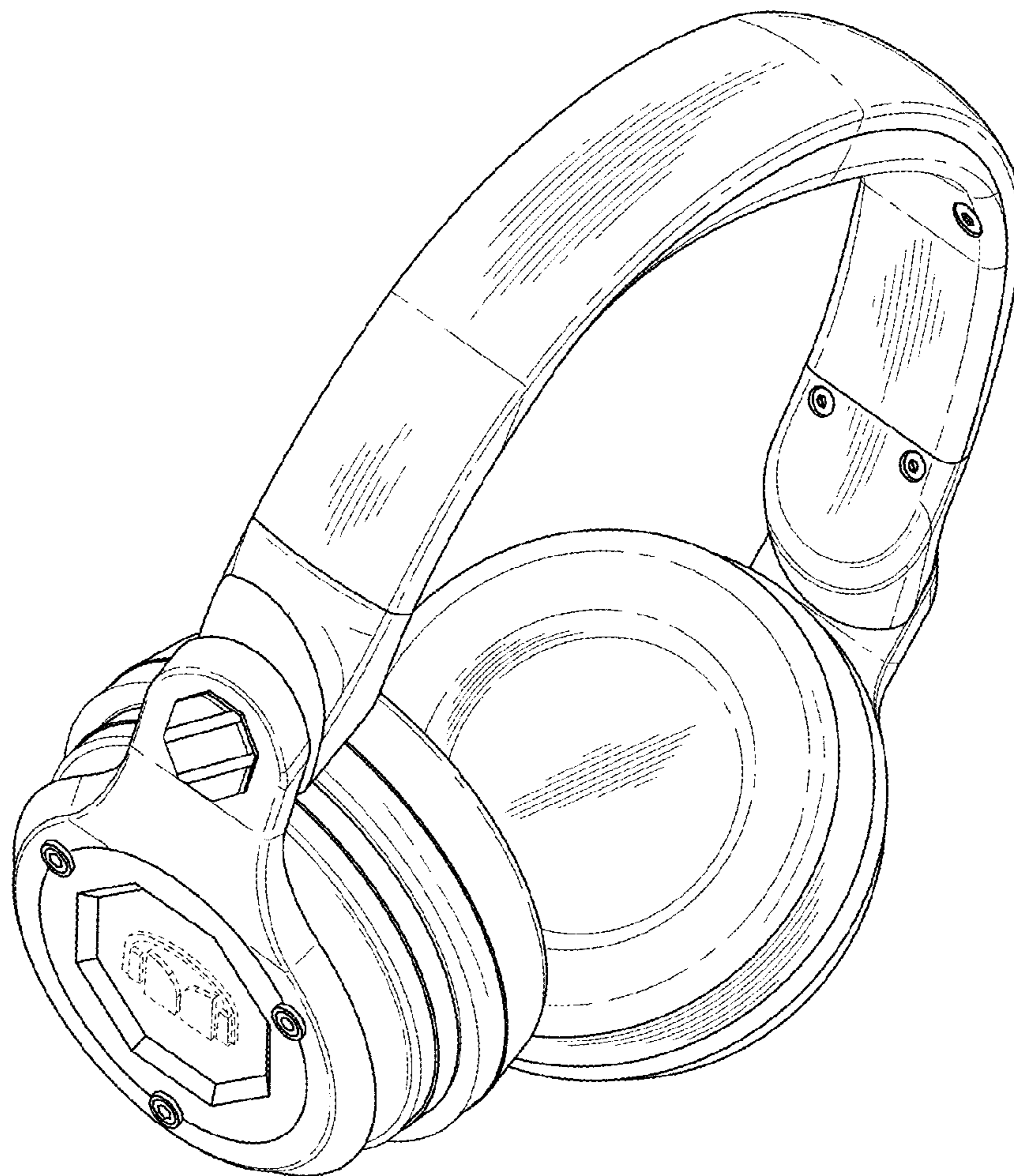


FIG. 1

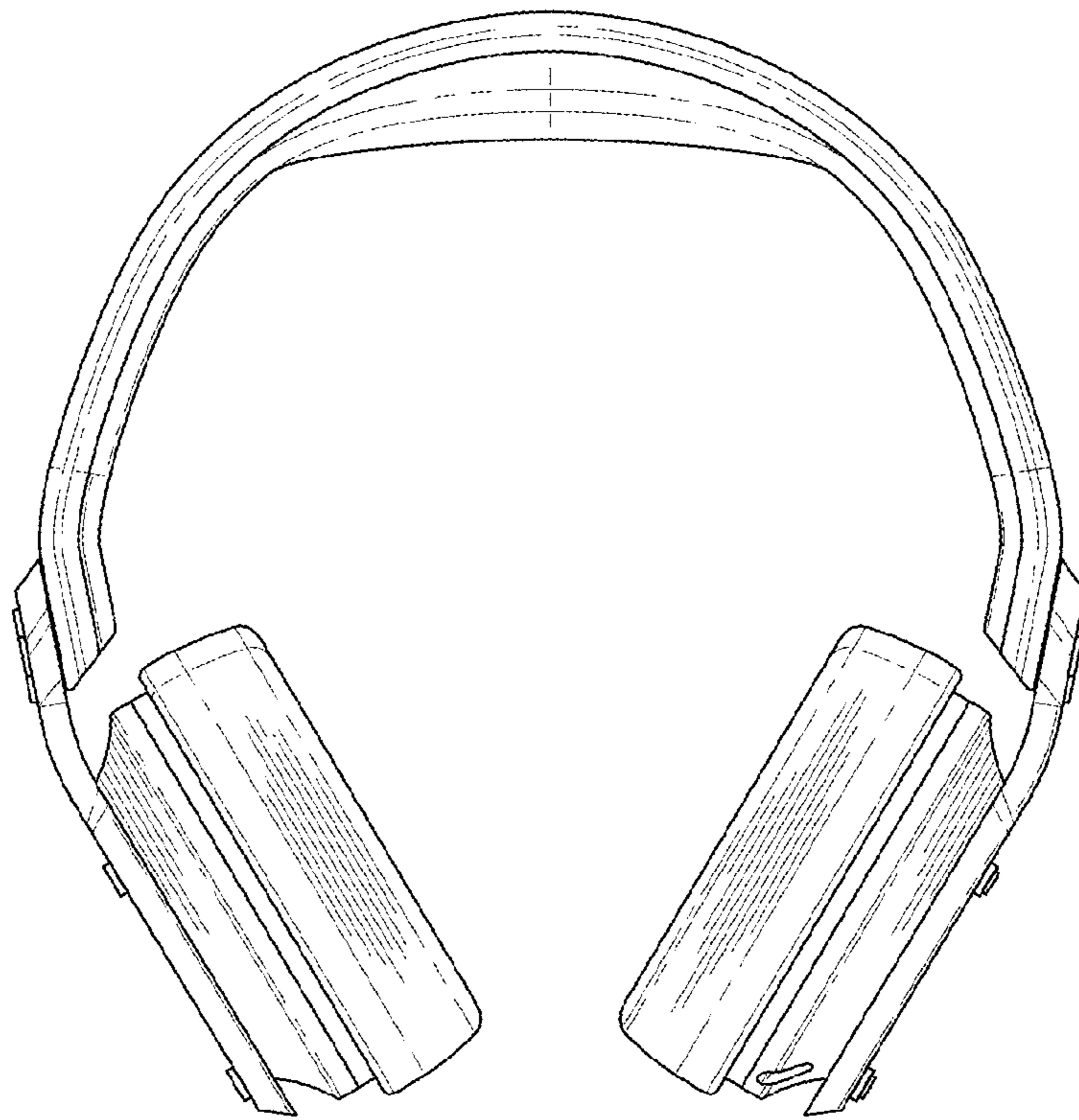


FIG. 2

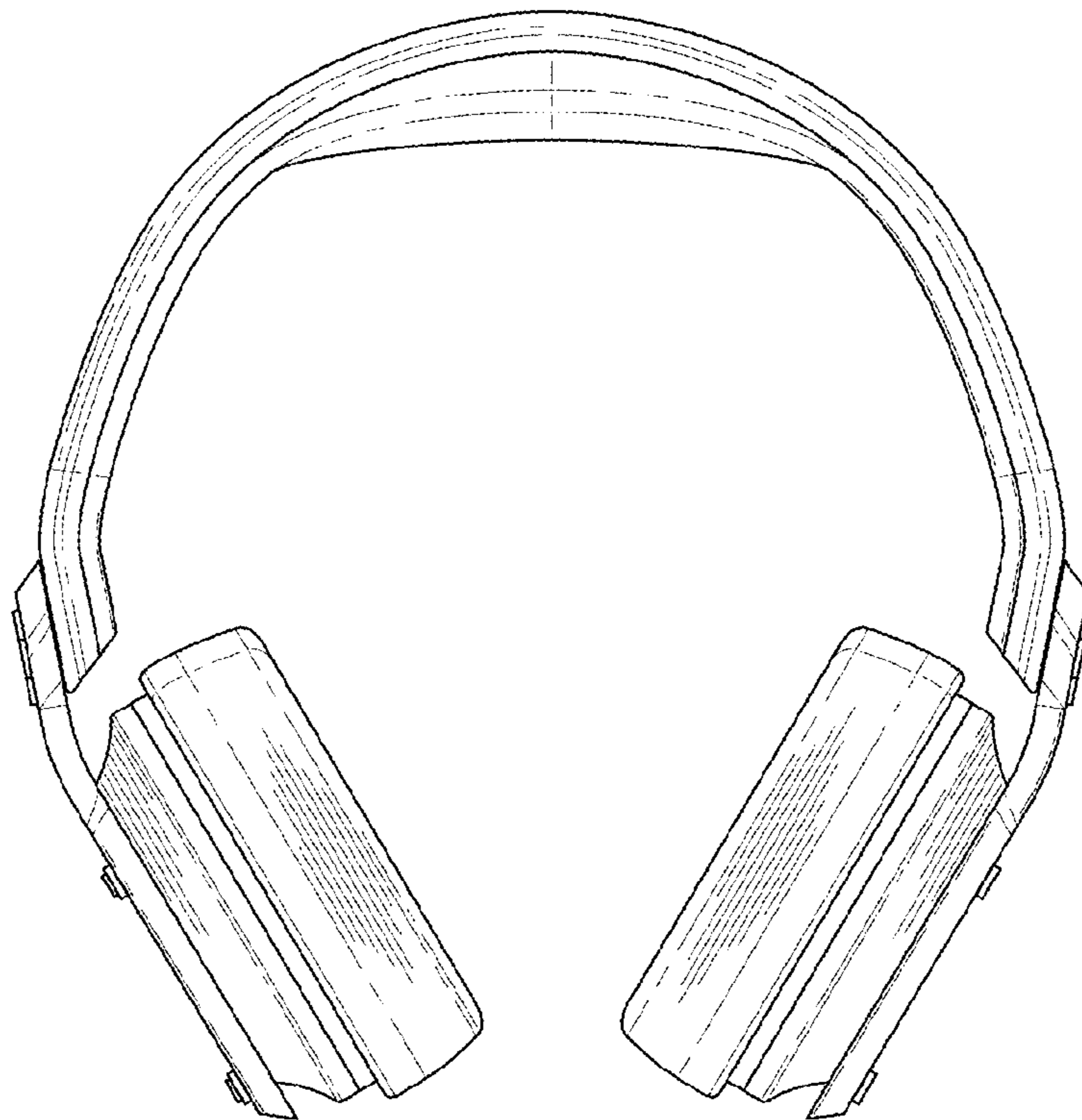


FIG. 3

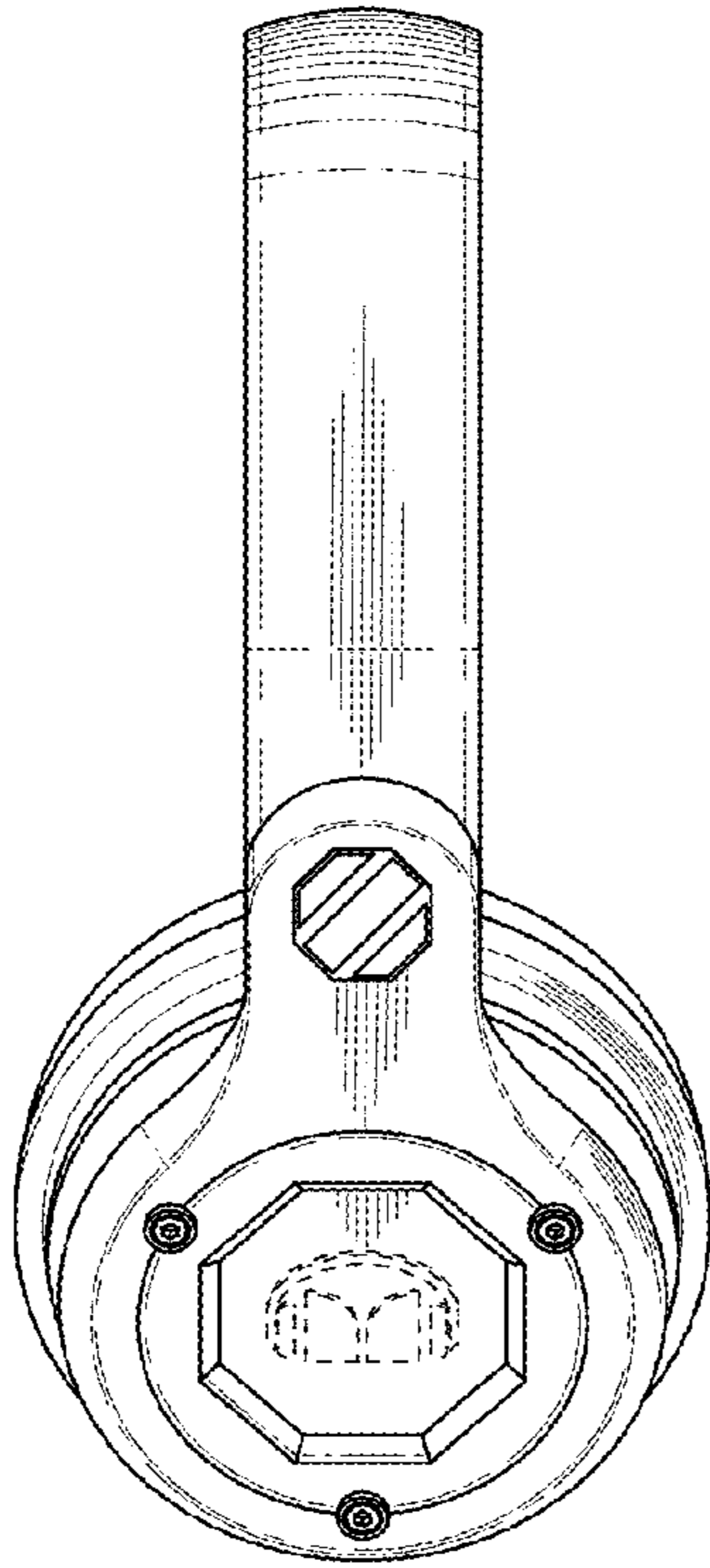


FIG. 4

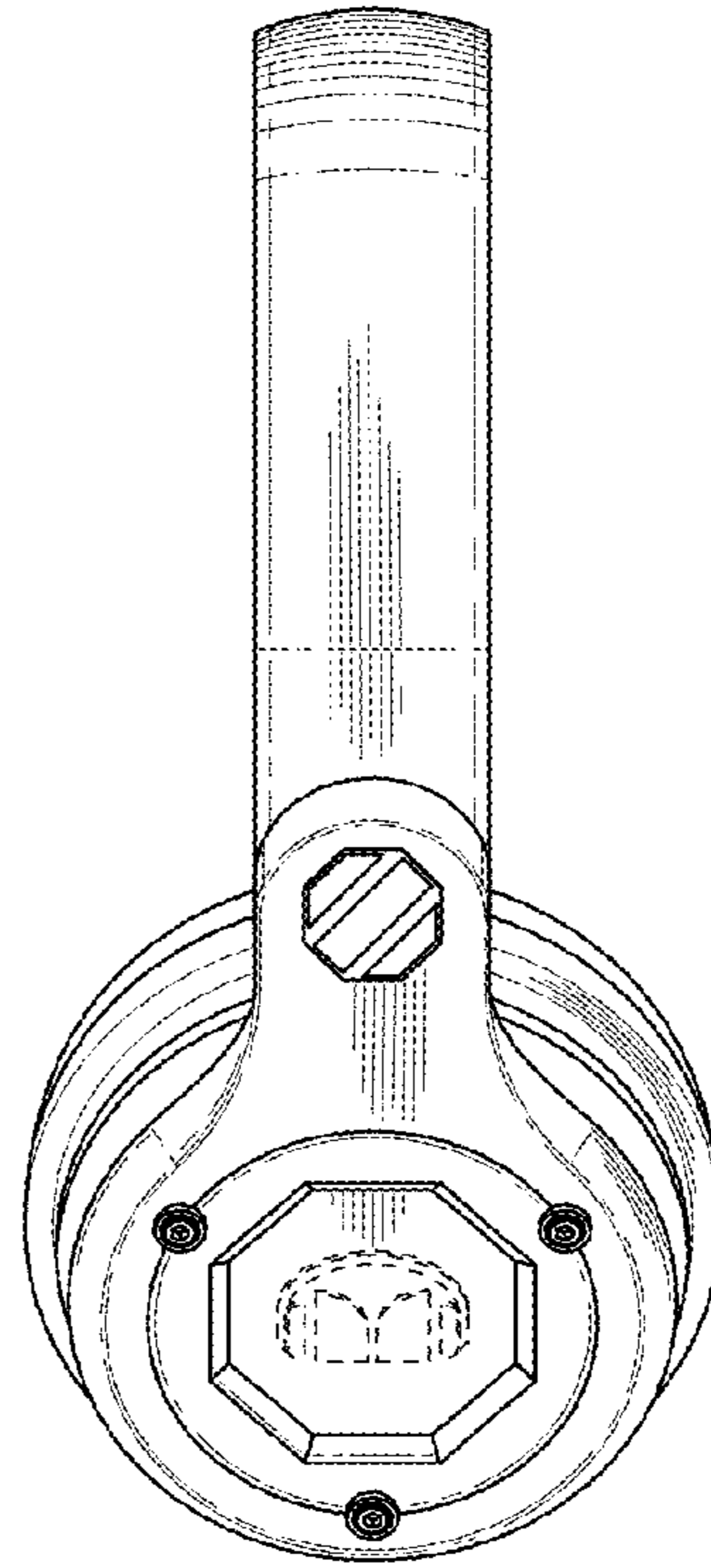


FIG. 5

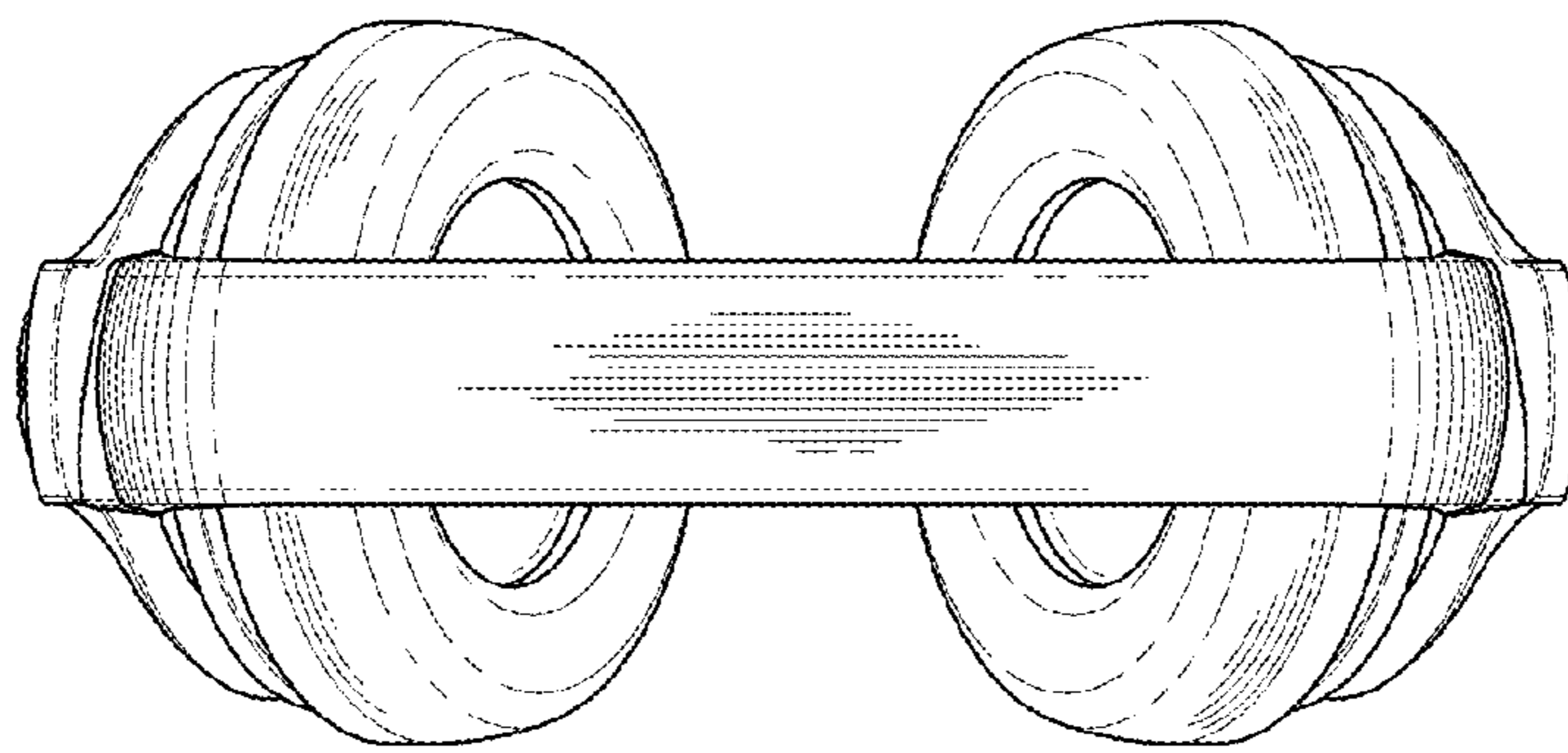


FIG. 6

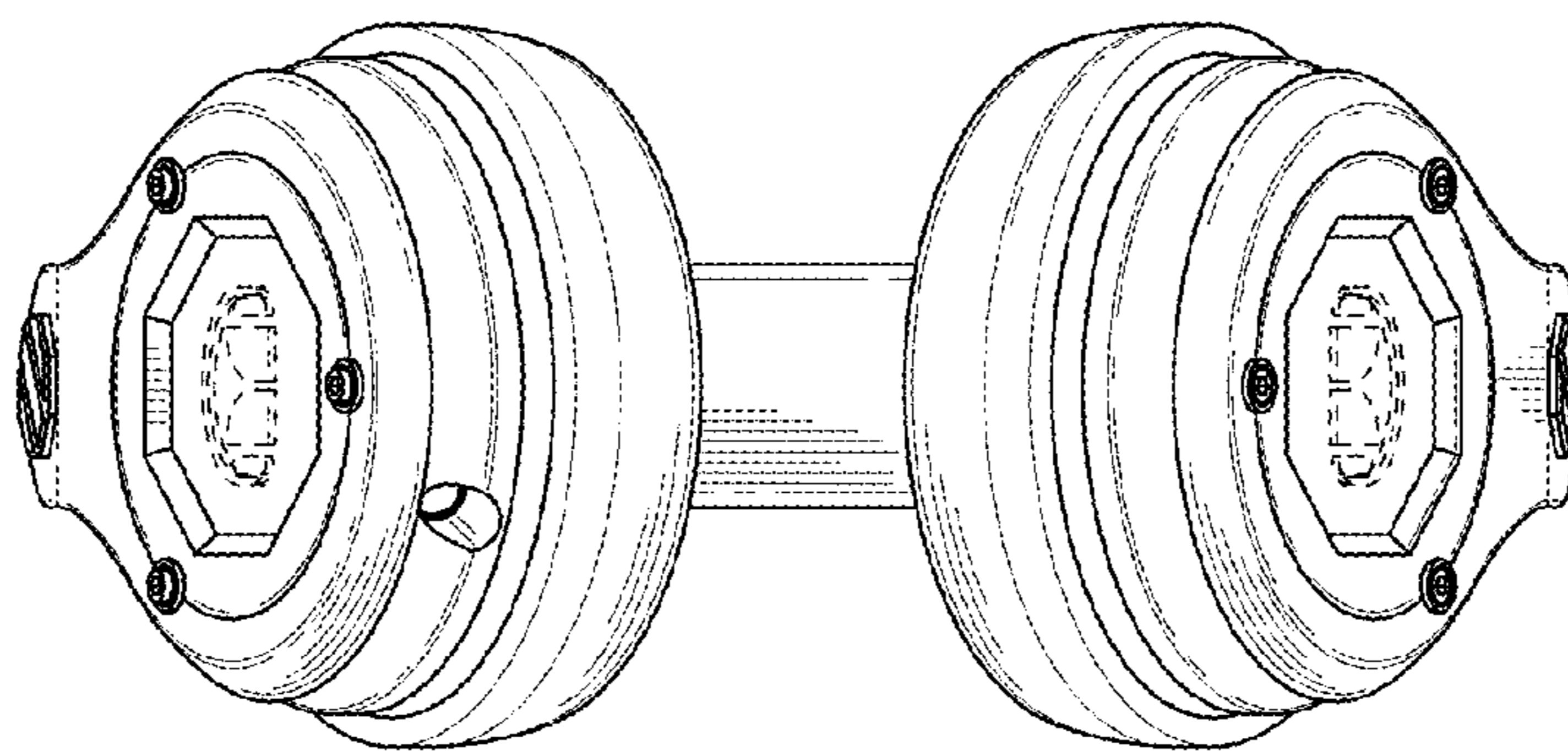


FIG. 7