



US00D722995S

(12) **United States Design Patent**  
**Moreau**

(10) **Patent No.:** **US D722,995 S**  
(45) **Date of Patent:** **\*\* Feb. 24, 2015**

(54) **MUSIC PLAYER**

(71) Applicant: **Sébastien Moreau**, Lille (FR)

(72) Inventor: **Sébastien Moreau**, Lille (FR)

(73) Assignee: **Bigben Interactive SA**, Lesquin (FR)

(\*\*) Term: **14 Years**

(21) Appl. No.: **29/451,672**

(22) Filed: **Apr. 5, 2013**

(30) **Foreign Application Priority Data**

Oct. 5, 2012 (EM) ..... 002114439-0002

(51) **LOC (10) Cl.** ..... **14-03**

(52) **U.S. Cl.**  
USPC ..... **D14/203**

(58) **Field of Classification Search**  
CPC ..... H04M 1/03; H04M 1/035; H04R 1/02;  
H04R 1/06; H04R 1/021; H04R 1/025;  
H04R 1/026; H04R 1/105; H04R 1/323;  
H04R 1/345; H04R 1/403; H04R 1/2803;  
H04R 1/2834; H04R 5/02; H04R 7/20;  
H04R 9/06; H04R 9/025; H04R 2201/021;  
H04R 2400/07; H04R 2499/11; H04R  
2499/13; H04R 2499/15; G06F 1/1688;  
H04N 5/642; H04N 21/4852; H04S 3/00;  
H04S 7/30; B60R 11/0217  
USPC ..... D14/167, 168, 170–172, 175, 180, 183,  
D14/184, 188, 192, 194–197, 199–204, 207,  
D14/209.1, 210–216, 219, 221, 222, 224,  
D14/261, 262, 496; 181/143, 144, 147, 148,  
181/150, 153, 157, 198, 199; 381/300–303,  
381/306, 332, 333, 336, 345, 361–364,  
381/386–388; 369/6–12

See application file for complete search history.

(56) **References Cited**

U.S. PATENT DOCUMENTS

D252,393	S	*	7/1979	Kashidaira	.....	D14/203
D258,652	S	*	3/1981	Guillon	.....	D14/261
D277,178	S	*	1/1985	Morita	.....	D14/203
D278,810	S	*	5/1985	Murphy	.....	D14/203
D433,011	S	*	10/2000	O'Donnell et al.	.....	D14/202
D491,915	S	*	6/2004	Warden	.....	D14/203
D496,922	S	*	10/2004	Kimura	.....	D14/500
D512,706	S	*	12/2005	Nakane et al.	.....	D14/507
D518,814	S	*	4/2006	Shim et al.	.....	D14/168
D519,102	S	*	4/2006	Liu	.....	D14/203
8,315,143	B2	*	11/2012	Frederick et al.	.....	369/264

\* cited by examiner

*Primary Examiner* — Keli L Hill

(74) *Attorney, Agent, or Firm* — Fross Zelnick Lehrman & Zissu, P.C.; Charles T. J. Weigell, Esq.

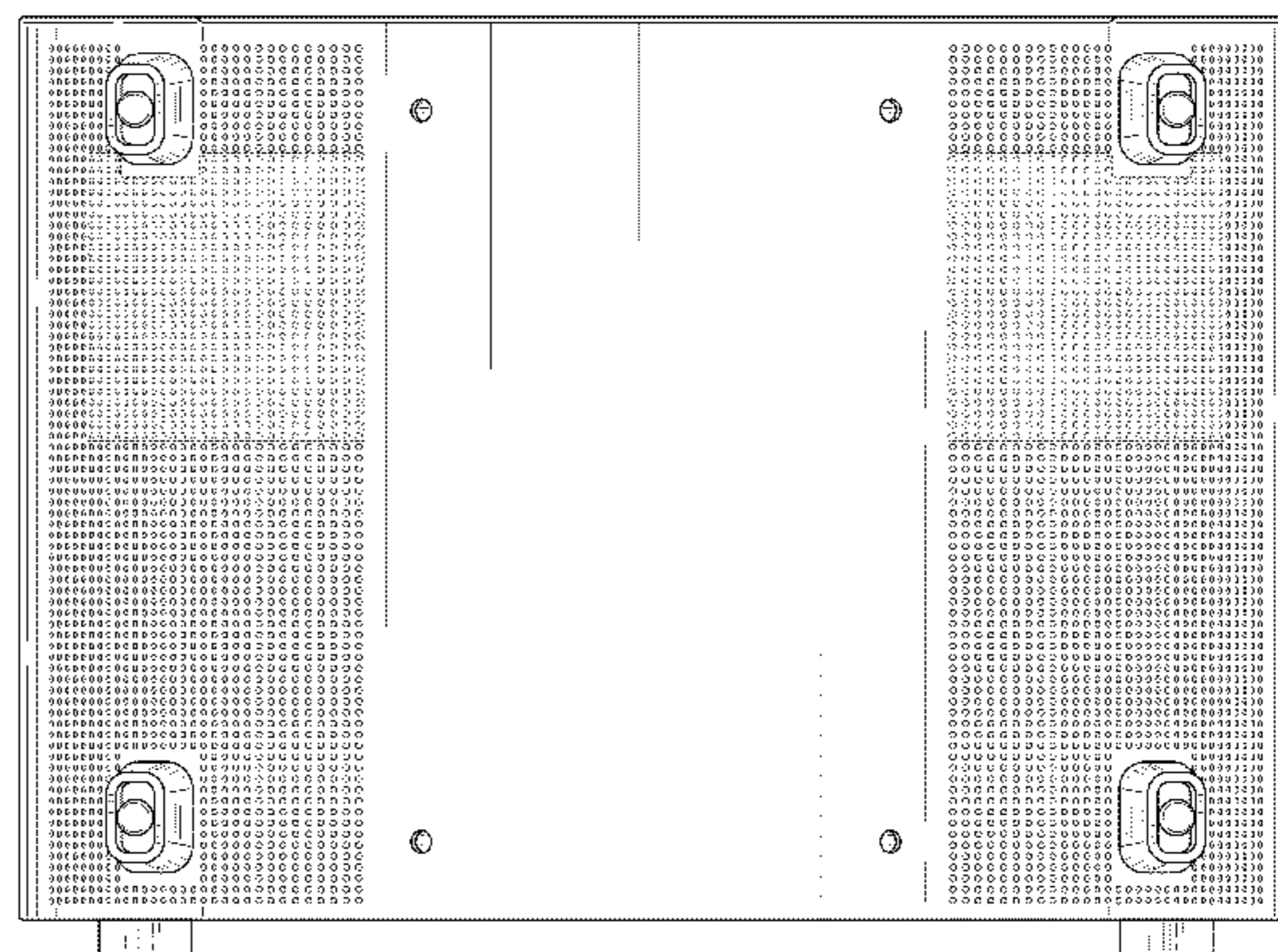
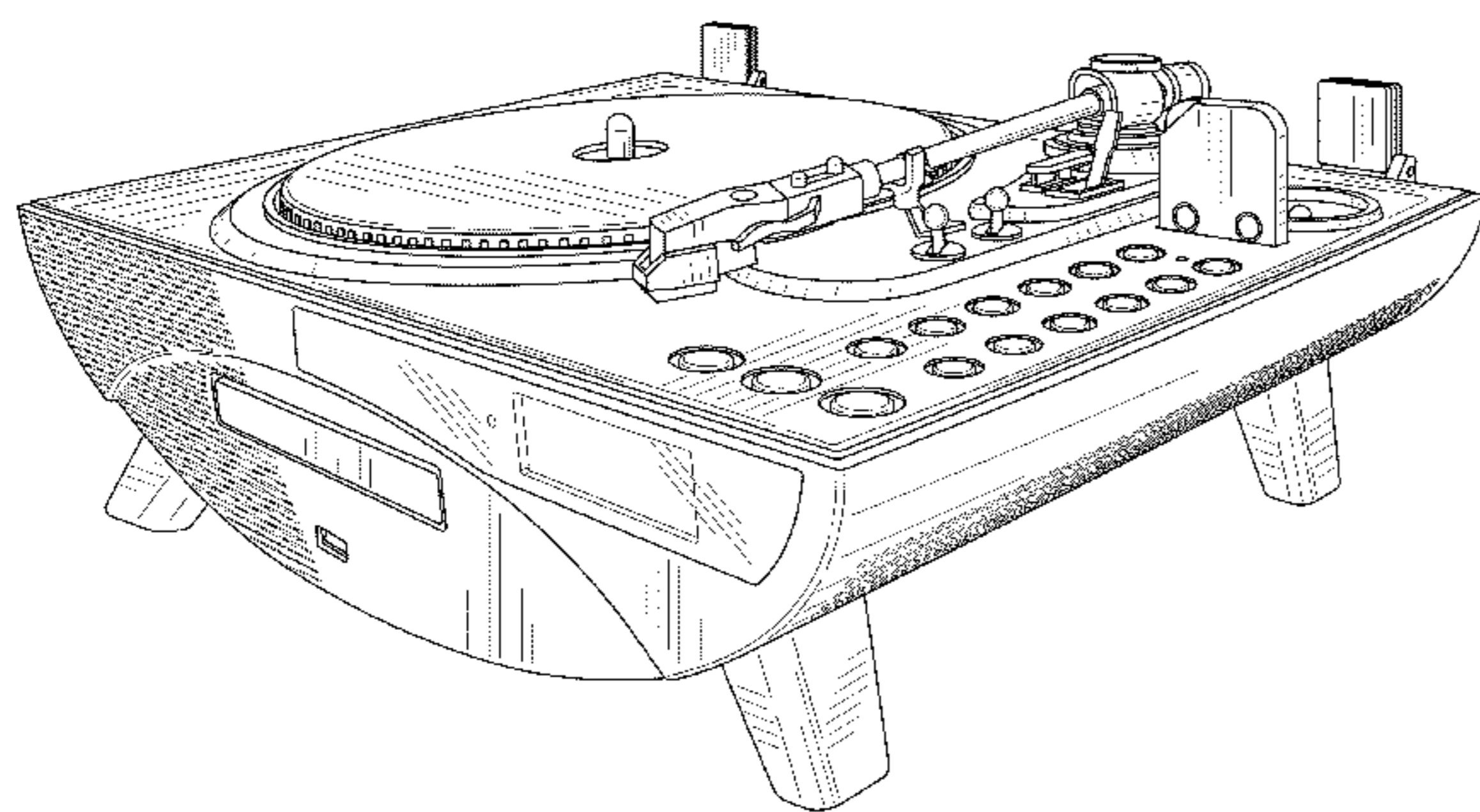
(57) **CLAIM**

The ornamental design for a music player, as shown and described.

**DESCRIPTION**

FIG. 1 is a front perspective view of a music player showing my new design;  
FIG. 2 is a rear view of the music player shown in FIG. 1;  
FIG. 3 is a right side view of the music player shown in FIG. 1;  
FIG. 4 is a left side view of the music player shown in FIG. 1;  
FIG. 5 is a bottom view of the music player shown in FIG. 1;  
FIG. 6 is a top view of the music player shown in FIG. 1; and  
FIG. 7 is a front view of the music player shown in FIG. 1.  
The broken lines shown are included for the purpose of illustrating portions of the music player that form no part of the claim.

**1 Claim, 7 Drawing Sheets**



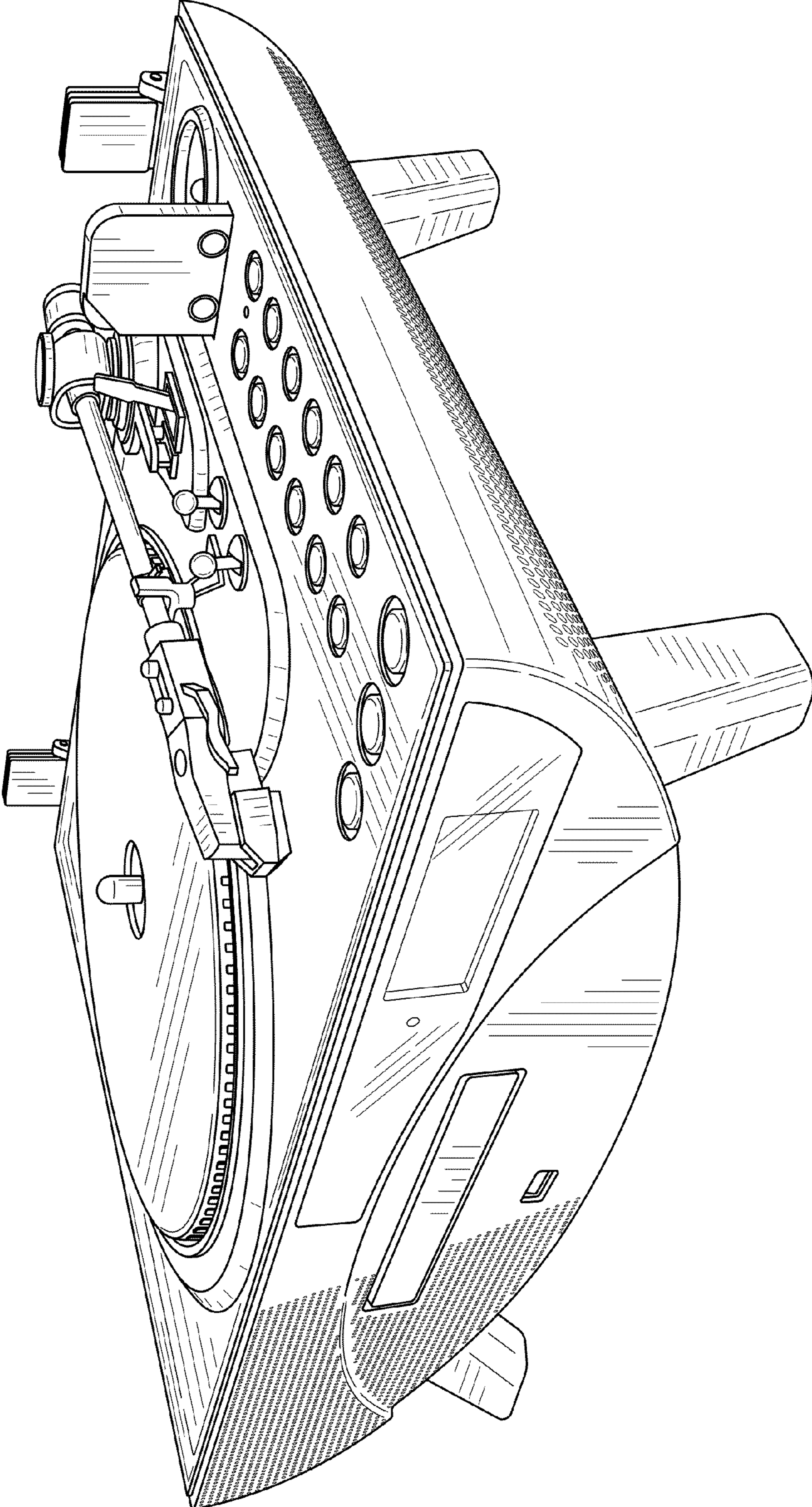


FIG. 1

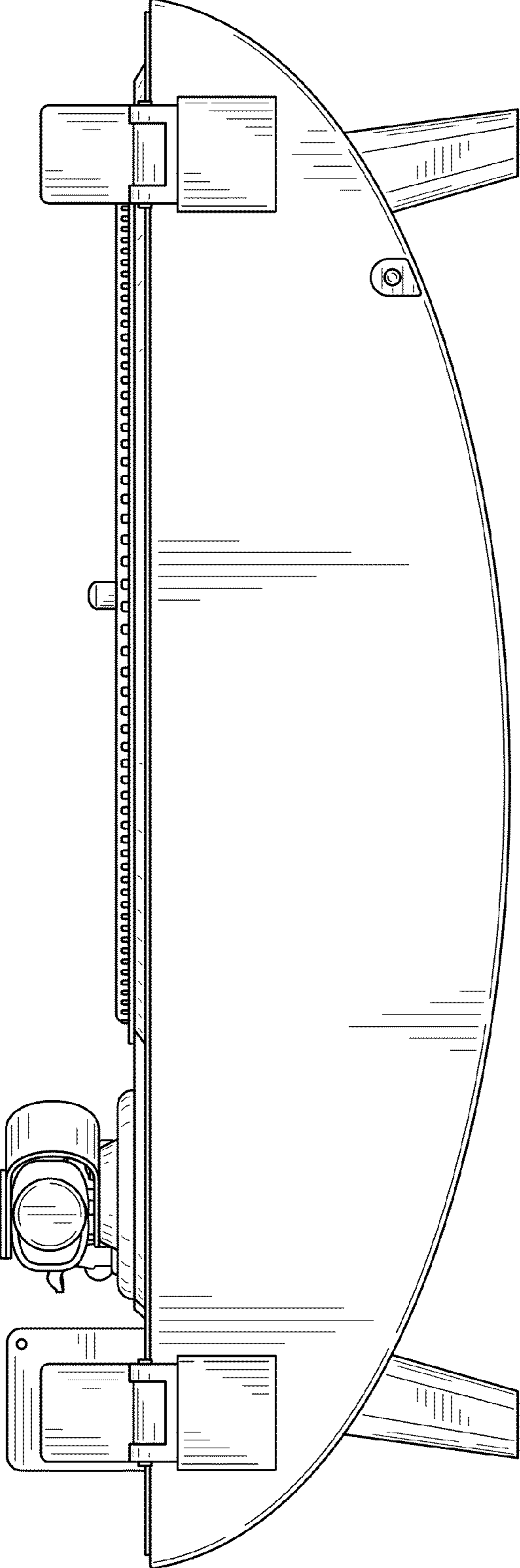


FIG. 2

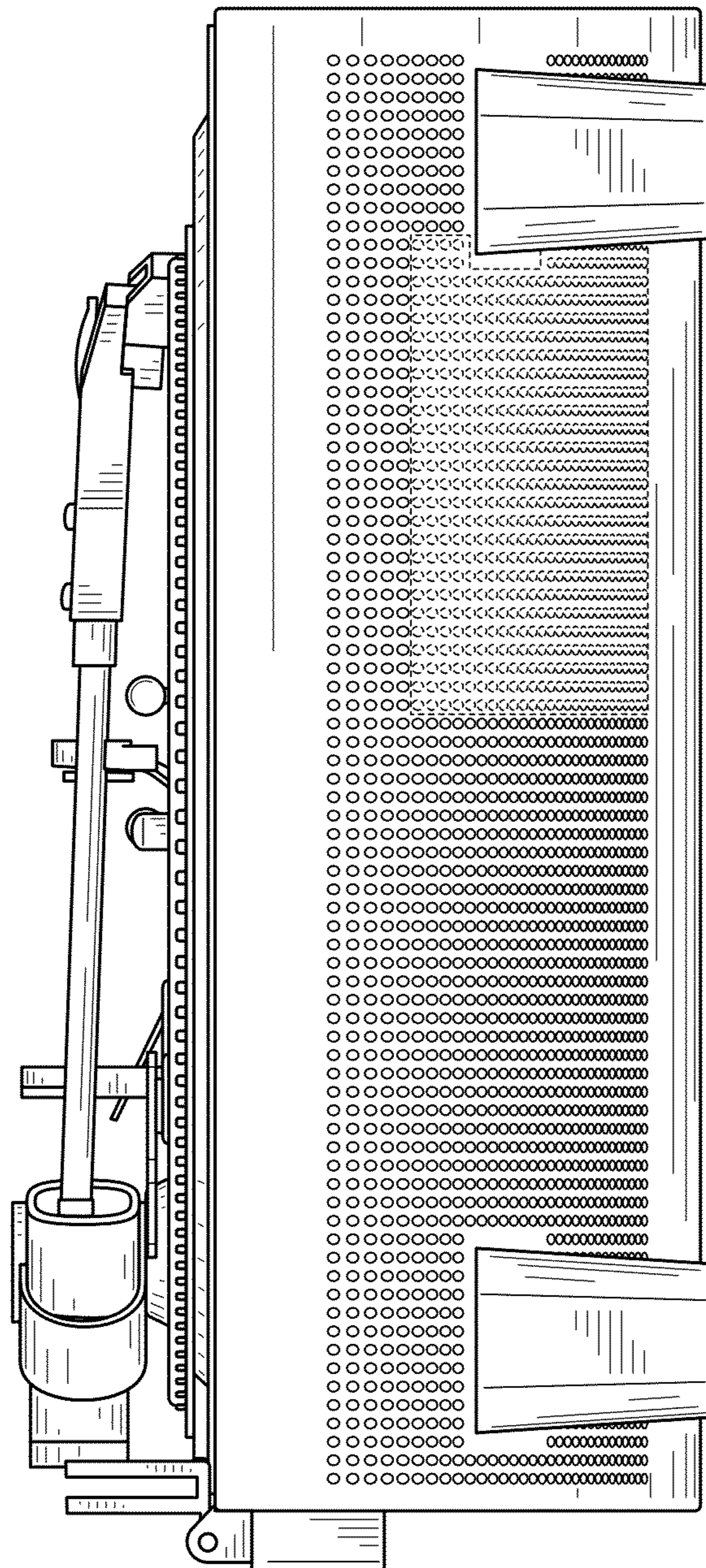


FIG. 3

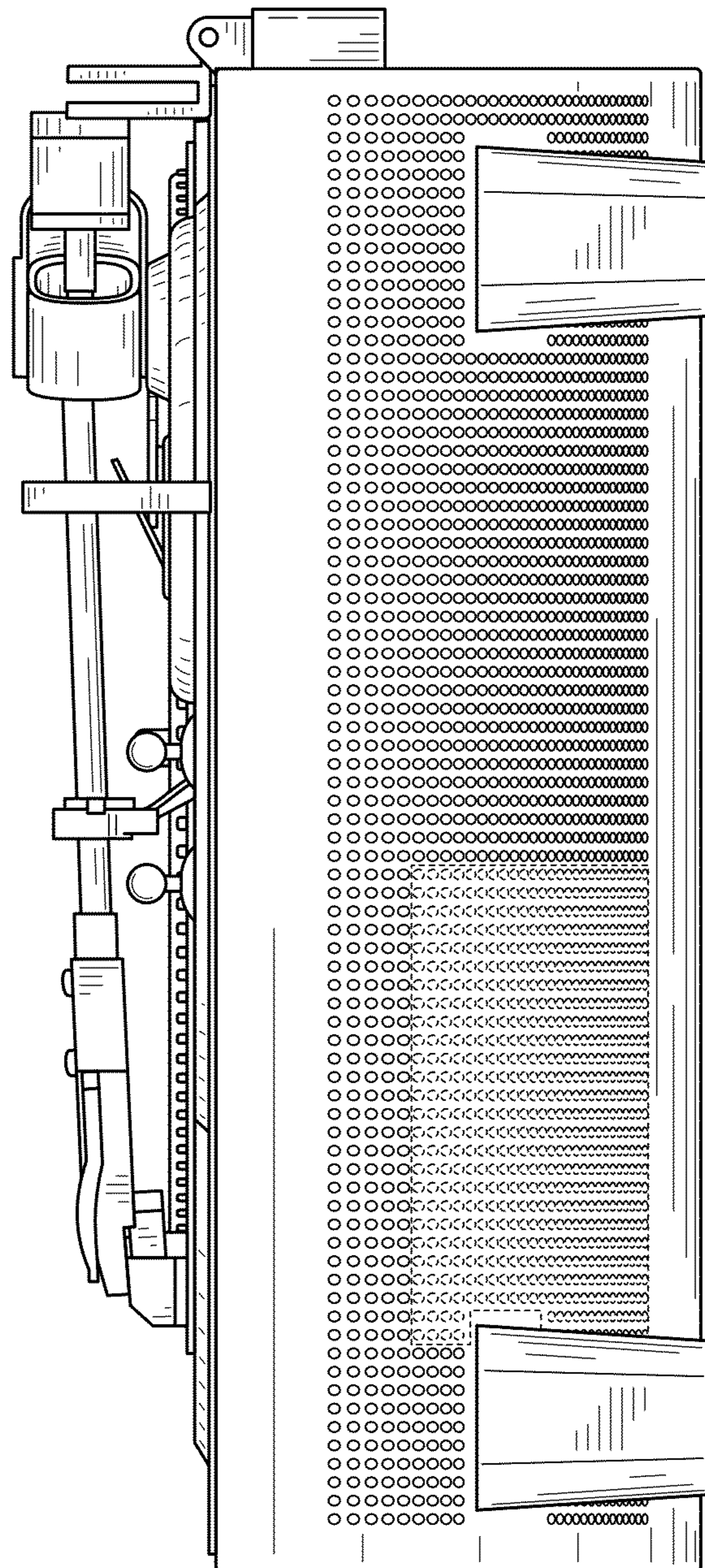


FIG. 4

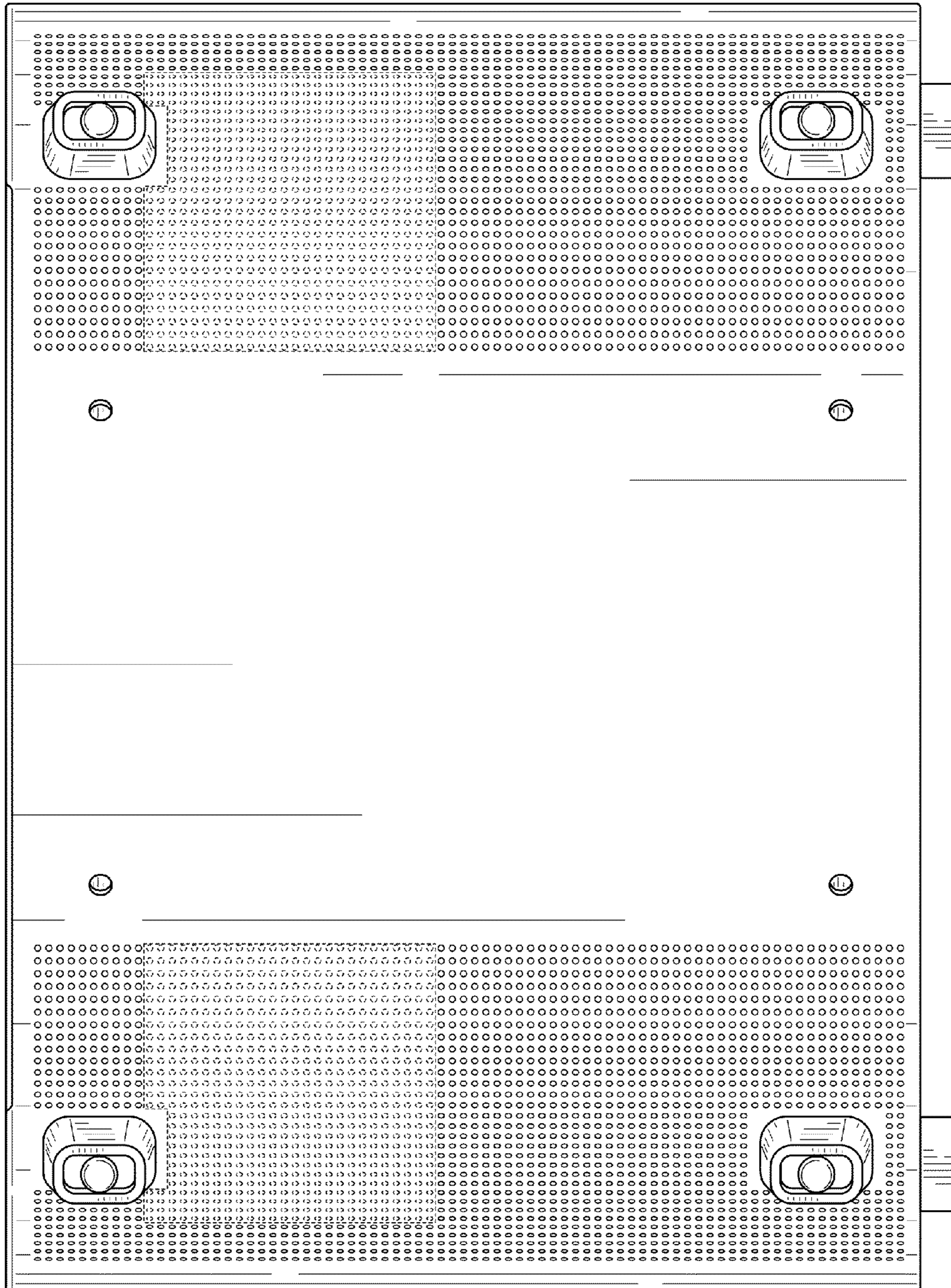


FIG. 5

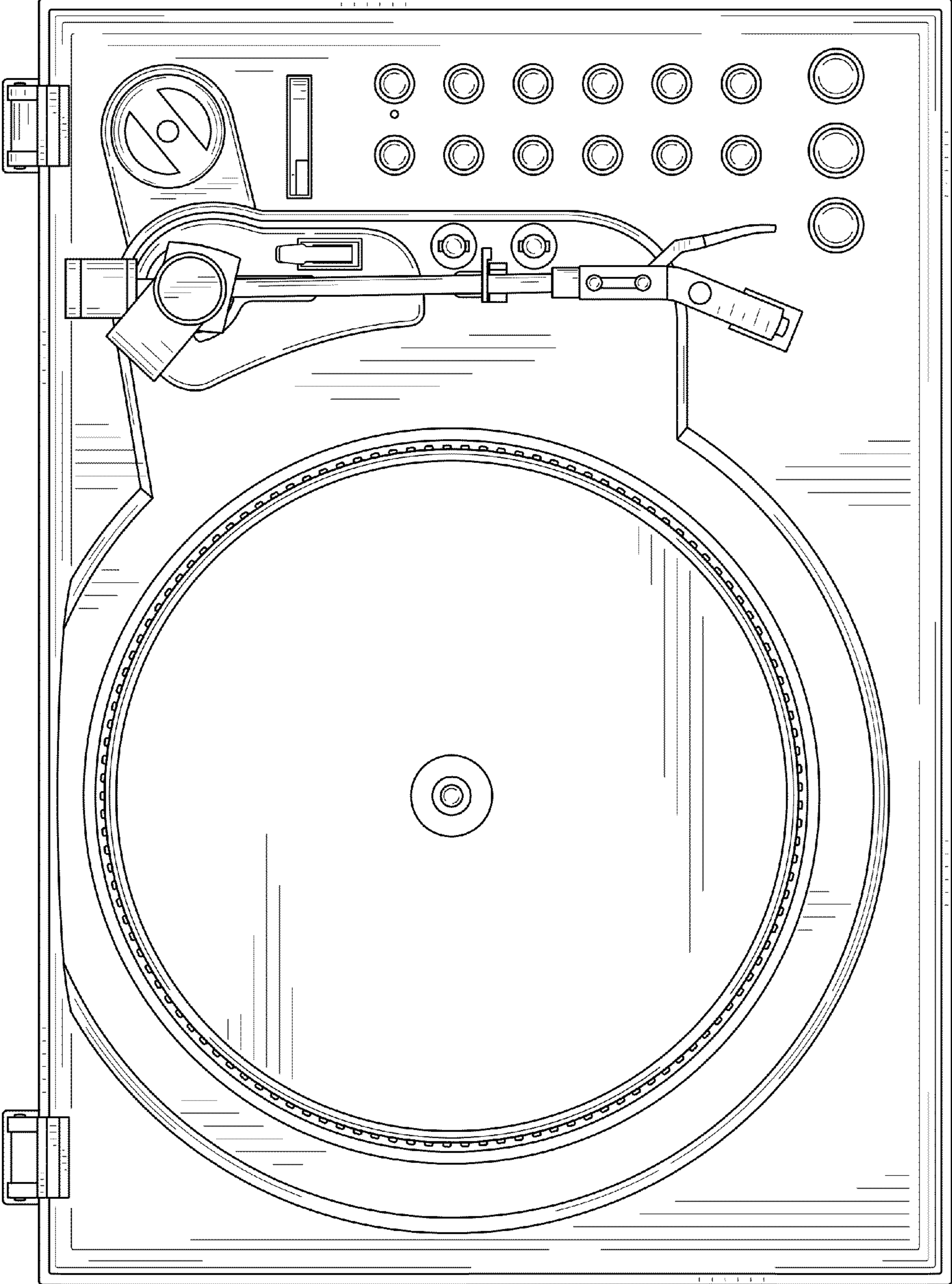


FIG. 6

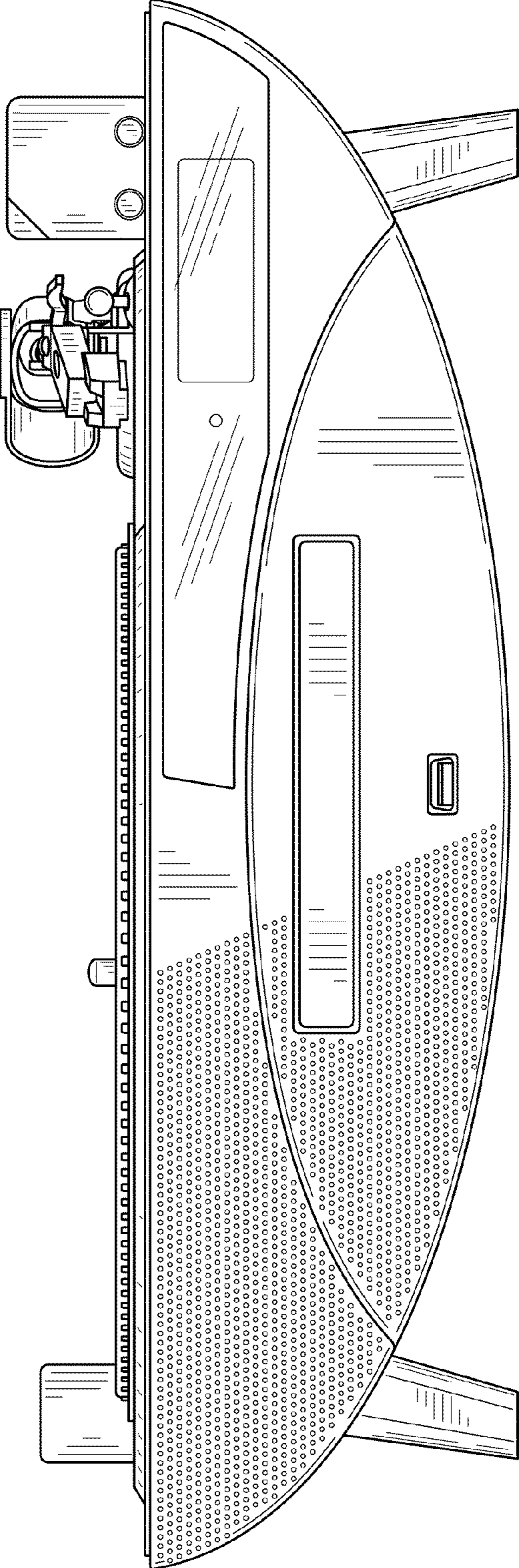


FIG. 7