

US00D722992S

(12) **United States Design Patent**  
**Cho et al.**

(10) **Patent No.:** **US D722,992 S**  
(45) **Date of Patent:** **\*\* Feb. 24, 2015**

(54) **CELLULAR PHONE**  
(71) Applicant: **LG Electronics Inc.**, Seoul (KR)  
(72) Inventors: **Seungchul Cho**, Seoul (KR); **Sunmin Lee**, Gyeonggi-do (KR); **Jinki Min**, Seoul (KR)  
(73) Assignee: **LG Electronics Inc.**, Seoul (KR)  
(\*\*) Term: **14 Years**

D633,066 S \* 2/2011 Park et al. .... D14/138 AD  
D636,368 S \* 4/2011 Kim ..... D14/138 AD  
D639,764 S \* 6/2011 Lee ..... D14/138 AD  
D642,152 S \* 7/2011 Cho ..... D14/138 AD  
D644,194 S \* 8/2011 Joung et al. .... D14/138 AD  
D645,011 S \* 9/2011 Min ..... D14/138 AD  
D646,252 S \* 10/2011 Kim et al. .... D14/138 AD  
D646,256 S \* 10/2011 Kim ..... D14/138 G  
D652,006 S \* 1/2012 Kim et al. .... D14/138 G  
D653,642 S \* 2/2012 Han ..... D14/138 AD  
D654,042 S \* 2/2012 Kim ..... D14/138 G

(Continued)

(21) Appl. No.: **29/488,252**  
(22) Filed: **Apr. 17, 2014**

**OTHER PUBLICATIONS**

LG Rumor Reflex LN272 telephone, announced Mar. 2012, [online], [site visited Oct. 14, 2014]. Available from Internet, <URL: http://www.gsmarena.com/lg\_rumor\_reflex\_In272-4625.php>.\*  
LG Xpression C395 telephone, announced Apr. 2012, [online], [site visited Oct. 14, 2014]. Available from Internet, <URL: http://www.gsmarena.com/lg\_xpression\_c395-4712.php>.\*

(Continued)

(30) **Foreign Application Priority Data**  
Oct. 21, 2013 (KR) ..... 30-2013-0052989

(51) **LOC (10) Cl.** ..... **14-03**  
(52) **U.S. Cl.**  
USPC ..... **D14/138 AD**

*Primary Examiner* — Jeffrey D Asch

(74) *Attorney, Agent, or Firm* — Morgan, Lewis & Bockius LLP

(58) **Field of Classification Search**  
CPC ..... H04M 1/02; H04M 1/0202–1/035;  
H04M 1/0235; H04M 1/0237; H04M 1/0239;  
H04M 2250/22; H04M 1/03; H04M 1/23;  
H04M 1/72519; G06F 1/1626  
USPC ..... D14/138 G, 138 AD, 138 R, 496, 203.1,  
D14/203.3, 203.5, 203.7, 248, 218, 341,  
D14/138 AC; 455/575.1, 556.1, 556.2,  
455/575.3, 575.4, 566; D21/517, 329, 331;  
379/433.01, 433.04; D13/168;  
361/679.3, 679.56; D10/65, 78  
See application file for complete search history.

(57) **CLAIM**

The ornamental design for a cellular phone, as shown and described.

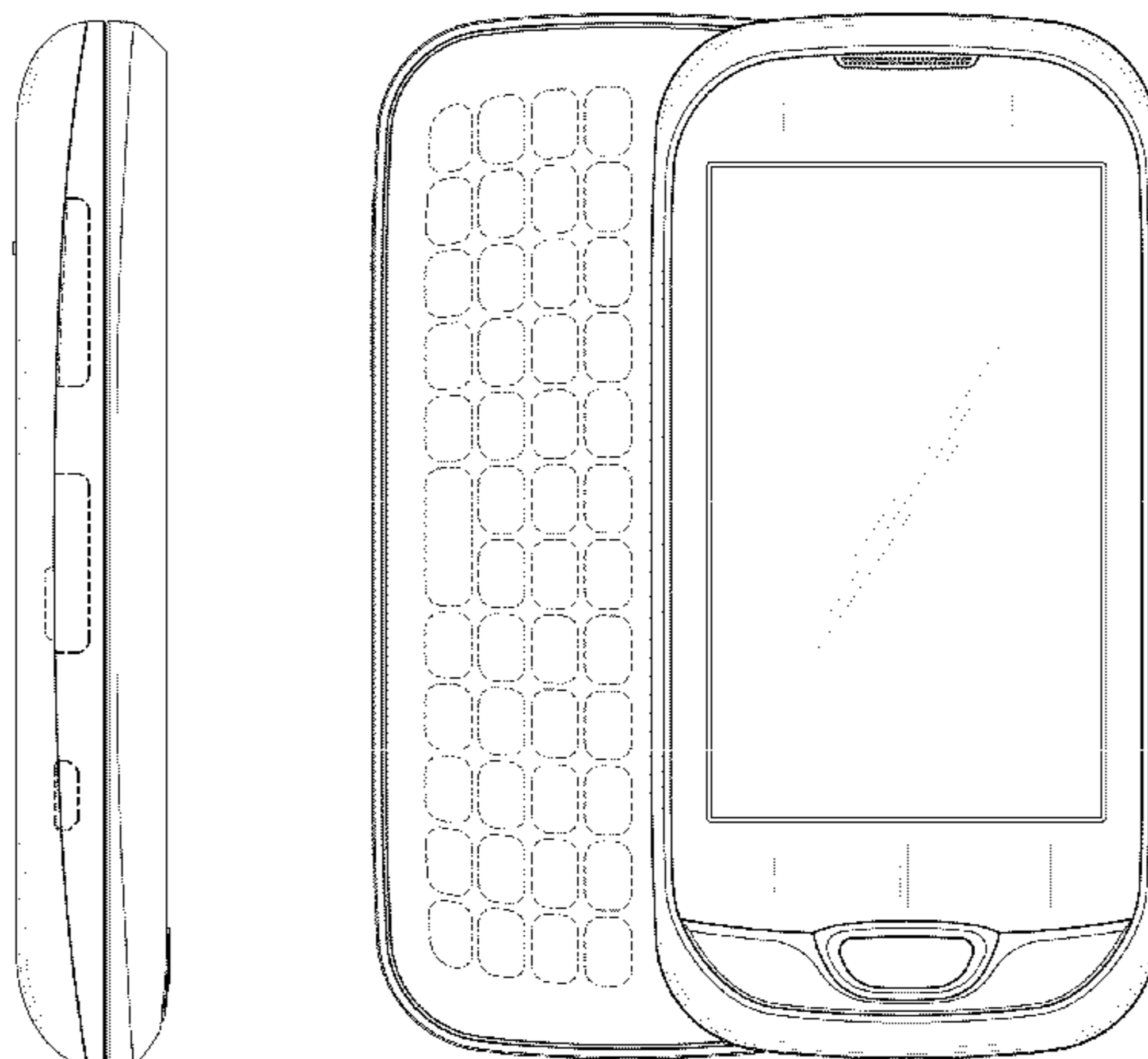
**DESCRIPTION**

FIG. 1 is a front, right side, perspective view of a cellular phone showing our new design;  
FIG. 2 is a front view thereof;  
FIG. 3 is a rear view thereof;  
FIG. 4 is a left side view thereof;  
FIG. 5 is a right side view thereof;  
FIG. 6 is a top view thereof; and  
FIG. 7 is a bottom view thereof; and  
FIG. 8 is a front view thereof in a slid open position.  
The portion of the article shown in broken lines is for the purpose of showing environmental structure only and forms no part of the claimed design.

(56) **References Cited**  
U.S. PATENT DOCUMENTS

D619,557 S \* 7/2010 Han et al. .... D14/138 AD  
D621,378 S \* 8/2010 Kim et al. .... D14/138 AD  
D628,975 S \* 12/2010 Jang ..... D14/138 G  
D629,783 S \* 12/2010 Kim et al. .... D14/138 G

**1 Claim, 7 Drawing Sheets**



(56)

**References Cited**

U.S. PATENT DOCUMENTS

D654,456	S	*	2/2012	Kim	.....	D14/138	G
D654,895	S	*	2/2012	Kim	.....	D14/138	AD
D657,763	S	*	4/2012	Kim	.....	D14/138	AD
D657,767	S	*	4/2012	Kim	.....	D14/138	AD
D657,768	S	*	4/2012	Kim	.....	D14/138	G
D659,667	S	*	5/2012	Jung et al.	.....	D14/138	AD
D666,573	S	*	9/2012	Kim et al.	.....	D14/138	AD
D669,052	S	*	10/2012	Kim et al.	.....	D14/138	G
D670,672	S	*	11/2012	Kim	.....	D14/138	AD
D671,089	S	*	11/2012	Joung et al.	.....	D14/138	G
D673,537	S	*	1/2013	Kim et al.	.....	D14/247	
D687,795	S	*	8/2013	Kim et al.	.....	D14/138	AD
D687,804	S	*	8/2013	Park	.....	D14/138	G
D695,253	S	*	12/2013	Song et al.	.....	D14/138	G
D714,245	S	*	9/2014	Ji et al.	.....	D14/138	AD

OTHER PUBLICATIONS

Samsung B3410 telephone, announced Oct. 2009, [online], [site visited Oct. 14, 2014]. Available from Internet, <URL: [http://www.gsmarena.com/samsung\\_b3410-2993.php](http://www.gsmarena.com/samsung_b3410-2993.php)>.\*

LG Extravert VN271 telephone, announced Nov. 2011, [online], [site visited Oct. 14, 2014]. Available from Internet, <URL: [http://www.gsmarena.com/lg\\_extravert\\_vn271-4351.php](http://www.gsmarena.com/lg_extravert_vn271-4351.php)>.\*

LG C900 Optimus 7Q telephone, announced Oct. 2010, [online], [site visited Oct. 14, 2014]. Available from Internet, <URL: [http://www.gsmarena.com/lg\\_c900\\_optimus\\_7q\\_-3555.php](http://www.gsmarena.com/lg_c900_optimus_7q_-3555.php)>.\*

Pantech Laser P9050 telephone, announced Oct. 2010, [online], [site visited Oct. 14, 2014]. Available from Internet, <URL: [http://www.gsmarena.com/pantech\\_laser\\_p9050-3543.php](http://www.gsmarena.com/pantech_laser_p9050-3543.php)>.\*

LG Cosmos Touch VN270 telephone, announced Nov. 2010, [online], [site visited Oct. 14, 2014]. Available from Internet, <URL: [http://www.gsmarena.com/lg\\_cosmos\\_touch\\_vn270-3631.php](http://www.gsmarena.com/lg_cosmos_touch_vn270-3631.php)>.\*

\* cited by examiner

FIG. 1

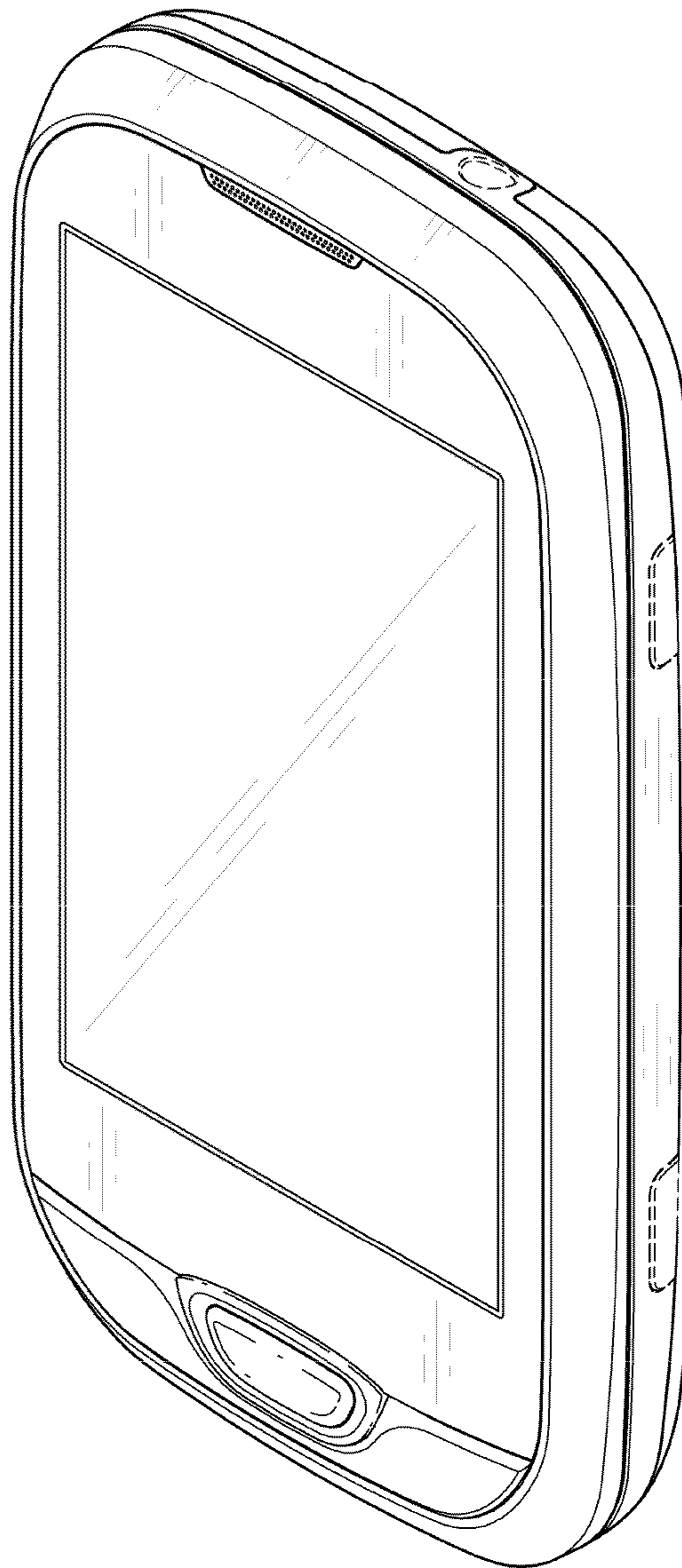


FIG. 2

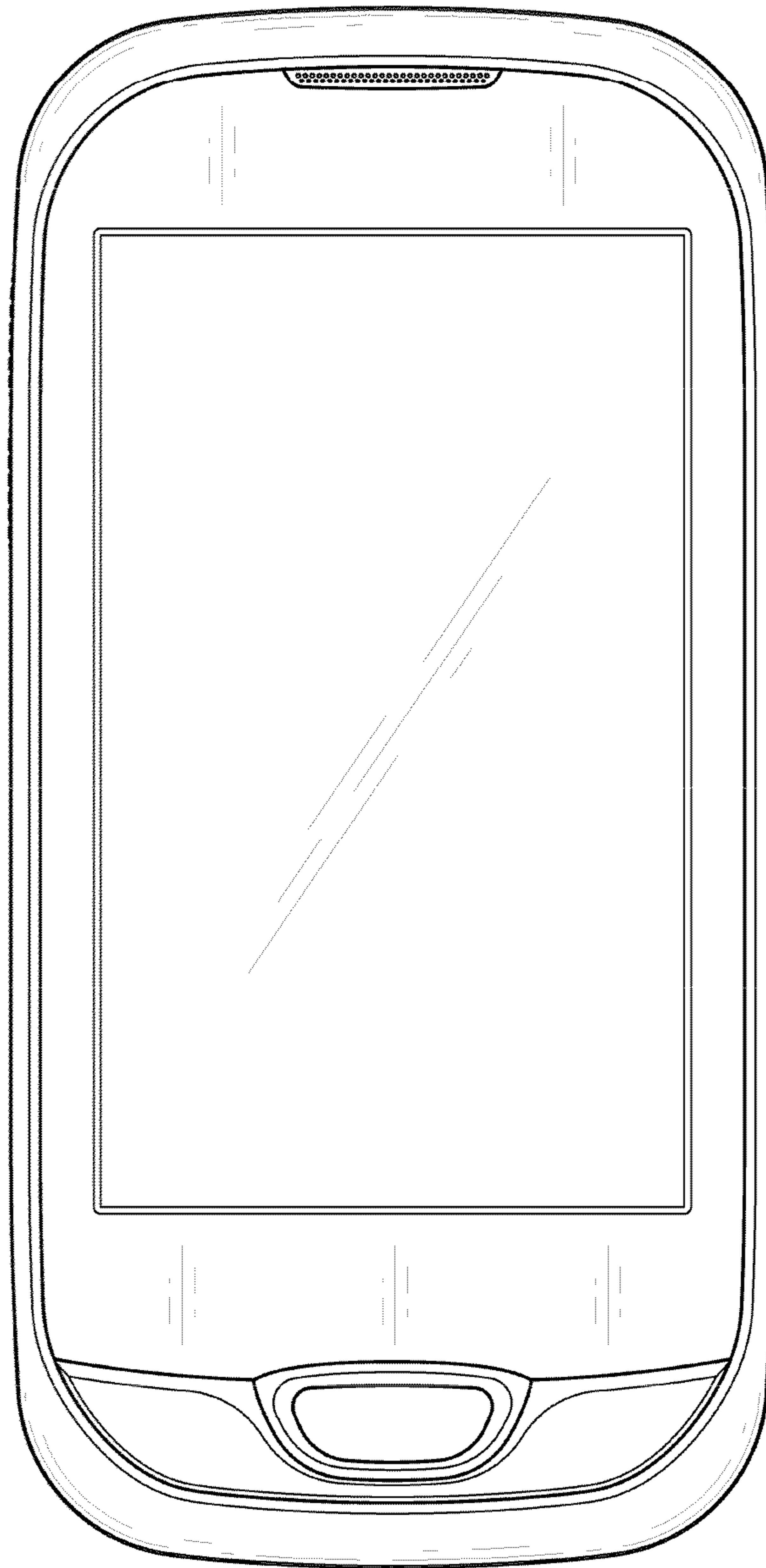


FIG. 3

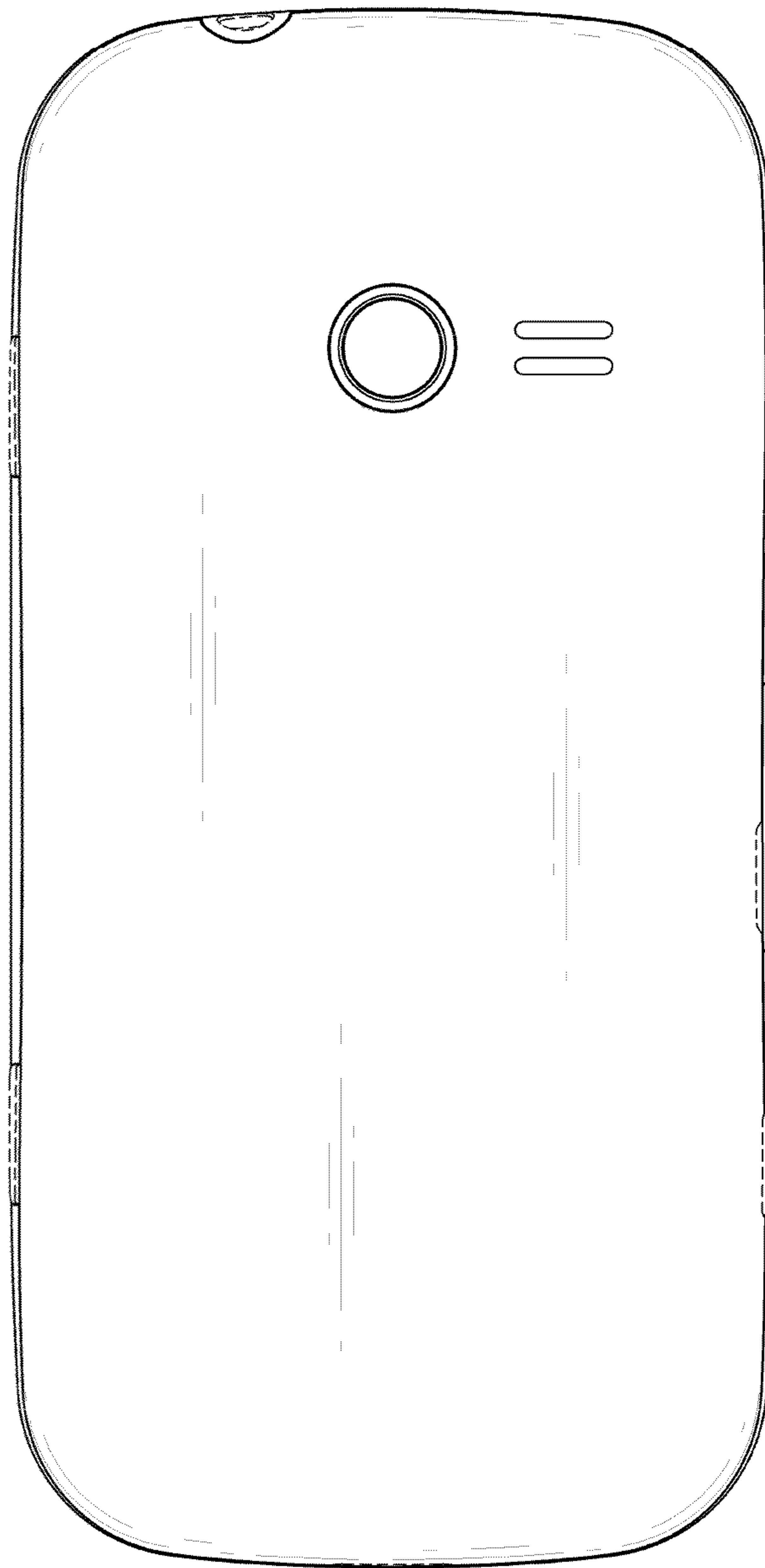


FIG. 4

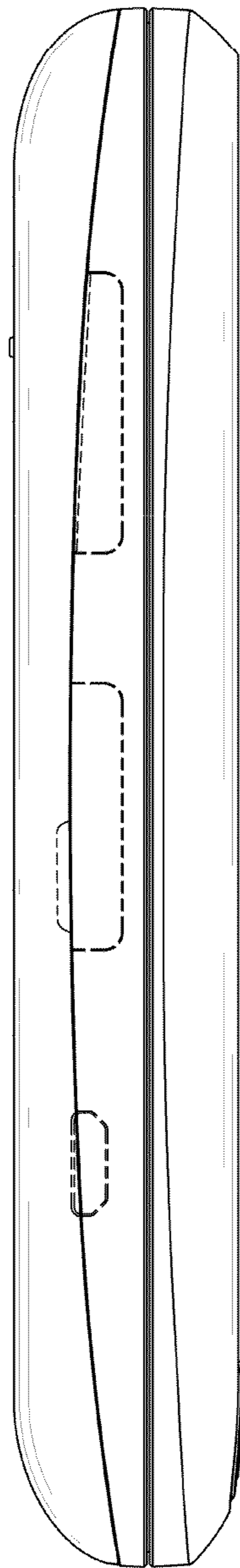


FIG. 5

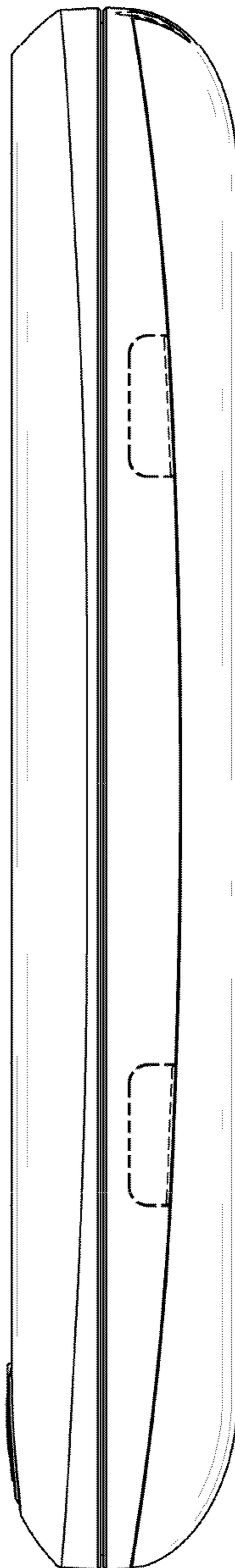


FIG. 6

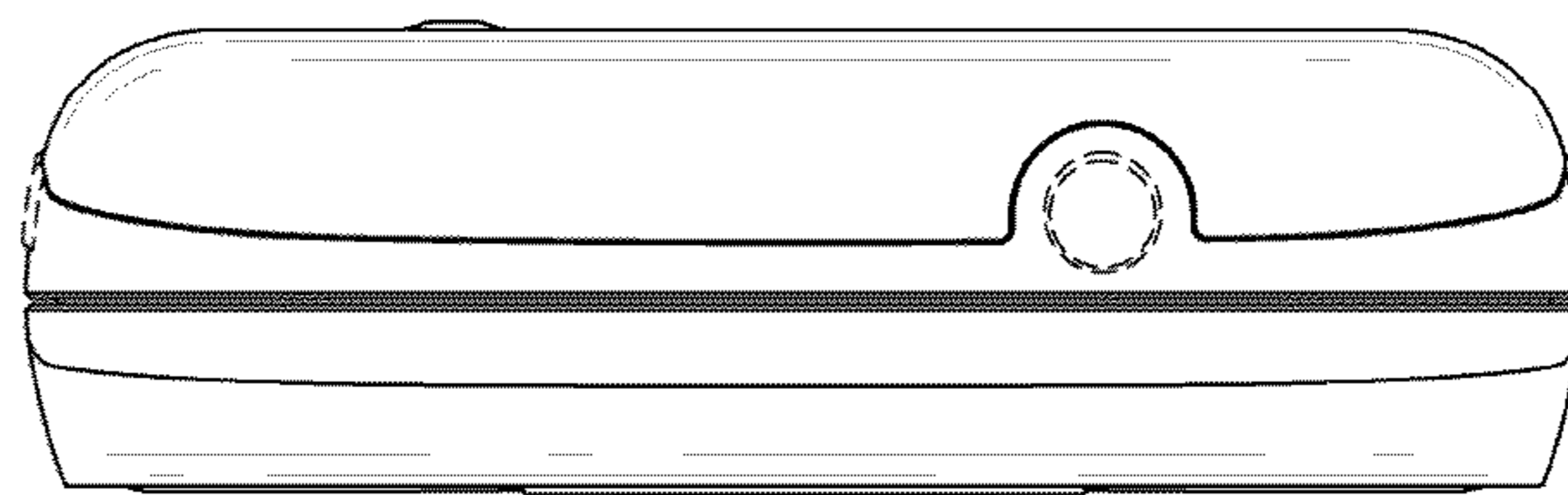


FIG. 7

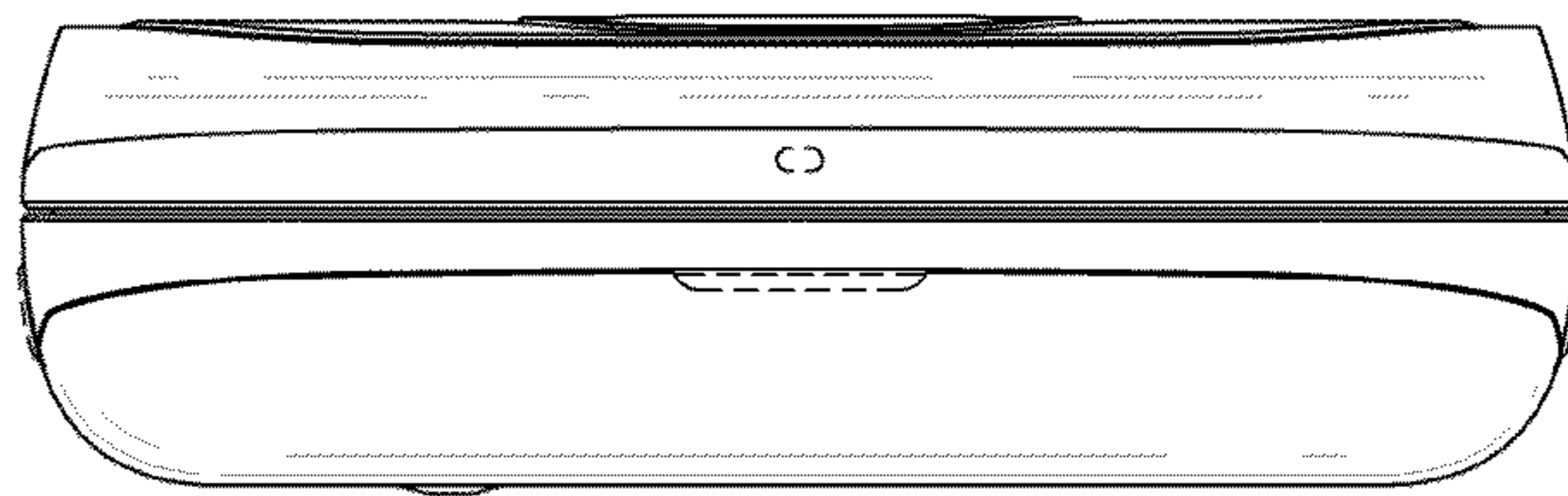




FIG. 8

