



US00D722989S

(12) **United States Design Patent**  
**Park et al.**

(10) **Patent No.:** **US D722,989 S**

(45) **Date of Patent:** **\*\* Feb. 24, 2015**

(54) **TV RECEIVER**

(56) **References Cited**

(71) Applicant: **LG Electronics Inc.**, Seoul (KR)

U.S. PATENT DOCUMENTS

(72) Inventors: **Misun Park**, Seoul (KR); **Hyoungrak Son**, Seoul (KR); **Jeongha Kim**, Seoul (KR); **Heewon Yu**, Seoul (KR)

D535,265 S *	1/2007	Inoue .....	D14/126
D543,960 S *	6/2007	Bloem .....	D14/126
D680,106 S *	4/2013	Hwangbo et al. ....	D14/239
D682,234 S *	5/2013	Lee et al. ....	D14/126
D695,700 S *	12/2013	Seong .....	D14/126
D700,187 S *	2/2014	Lee .....	D14/451
D702,659 S *	4/2014	Yoo et al. ....	D14/126
D703,168 S *	4/2014	Won et al. ....	D14/126
D704,157 S *	5/2014	Cha et al. ....	D14/126
D708,596 S *	7/2014	Park .....	D14/126
D709,470 S *	7/2014	Ryu et al. ....	D14/126

(73) Assignee: **LG Electronics Inc.**, Seoul (KR)

(\*\*) Term: **14 Years**

\* cited by examiner

(21) Appl. No.: **29/495,565**

(22) Filed: **Jul. 2, 2014**

*Primary Examiner* — Raphael Barkai

(30) **Foreign Application Priority Data**

Jan. 7, 2014 (KR) ..... 30-2014-0000813

(74) *Attorney, Agent, or Firm* — Morgan, Lewis & Bockius LLP

(51) **LOC (10) Cl.** ..... **14-03**

(57) **CLAIM**

(52) **U.S. Cl.**  
USPC ..... **D14/126**

The ornamental design for a TV receiver, as shown and described.

(58) **Field of Classification Search**  
CPC ... G06F 1/1601; G06F 1/1643; H05K 5/0004;  
H05K 5/0017; H05K 5/02; H05K 5/0217  
USPC ..... D14/125-134, 239, 371, 136, 374-377,  
D14/440, 450, 448, 336, 342, 159; 312/7.2;  
348/836, 838, 180, 184, 325, 739;  
248/917-924, 465; 345/104, 133, 156,  
345/168, 87, 173; D21/329, 515, 577, 622,  
D21/333, 433, 448, 452, 450, 331, 505;  
D10/15, 26; 446/484, 175, 356;  
D6/477, 479, 300

**DESCRIPTION**

FIG. 1 is a front, right side, perspective view of a TV receiver showing our new design;  
FIG. 2 is a front view thereof;  
FIG. 3 is a rear view thereof,  
FIG. 4 is a left side view thereof,  
FIG. 5 is a right side view thereof;  
FIG. 6 is a top view thereof, and,  
FIG. 7 is a bottom view thereof.

See application file for complete search history.

**1 Claim, 4 Drawing Sheets**

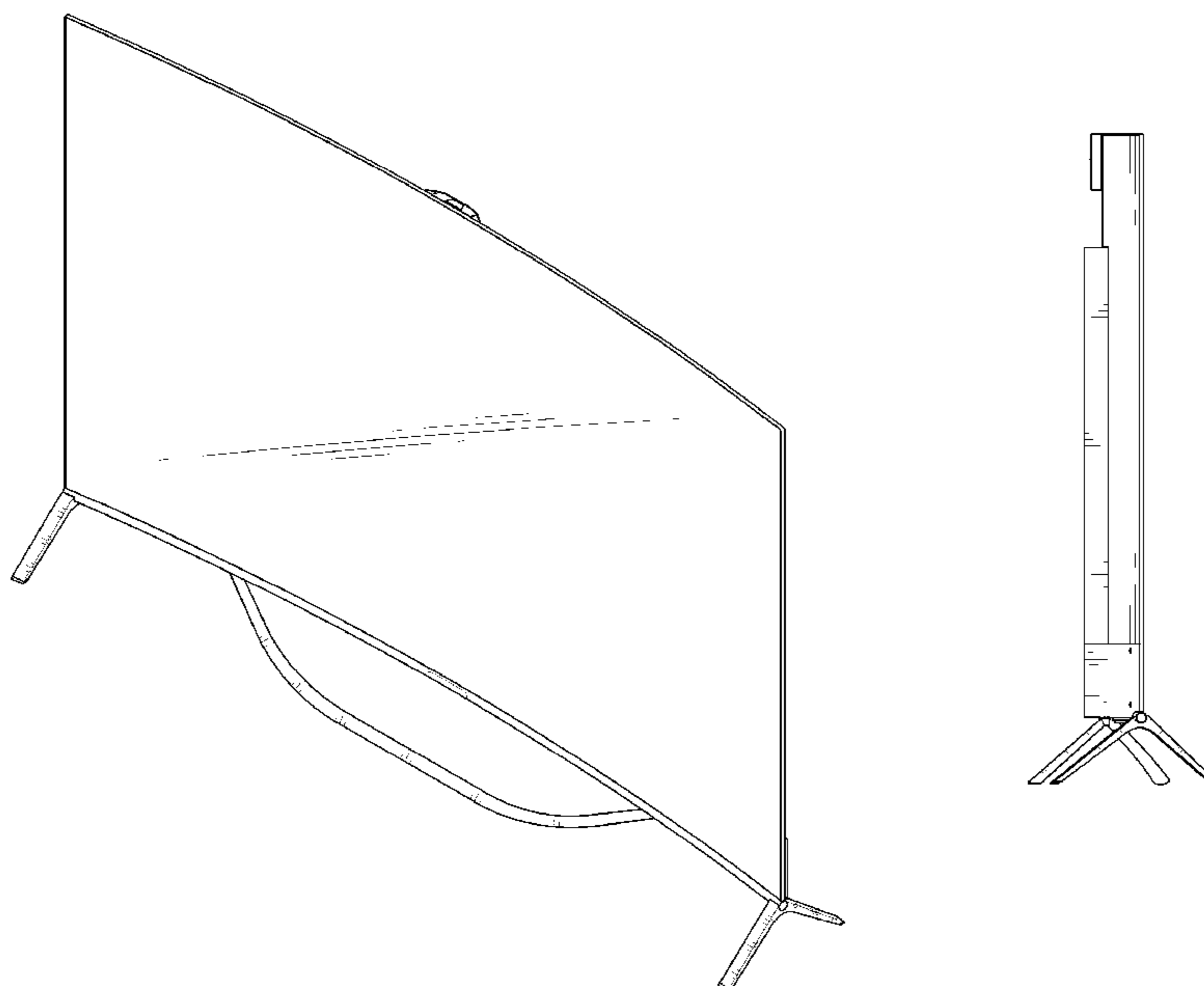


FIG. 1

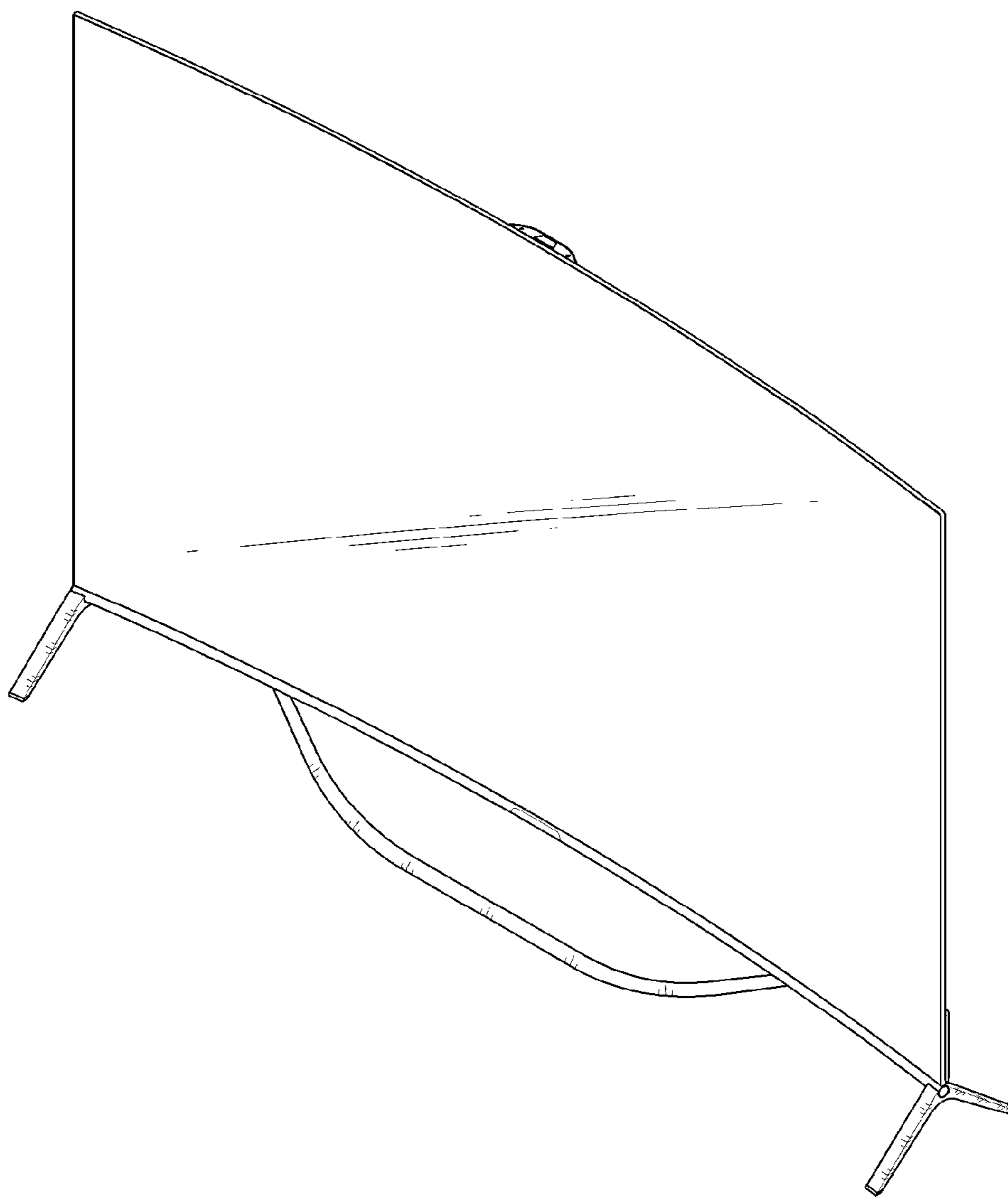


FIG. 2

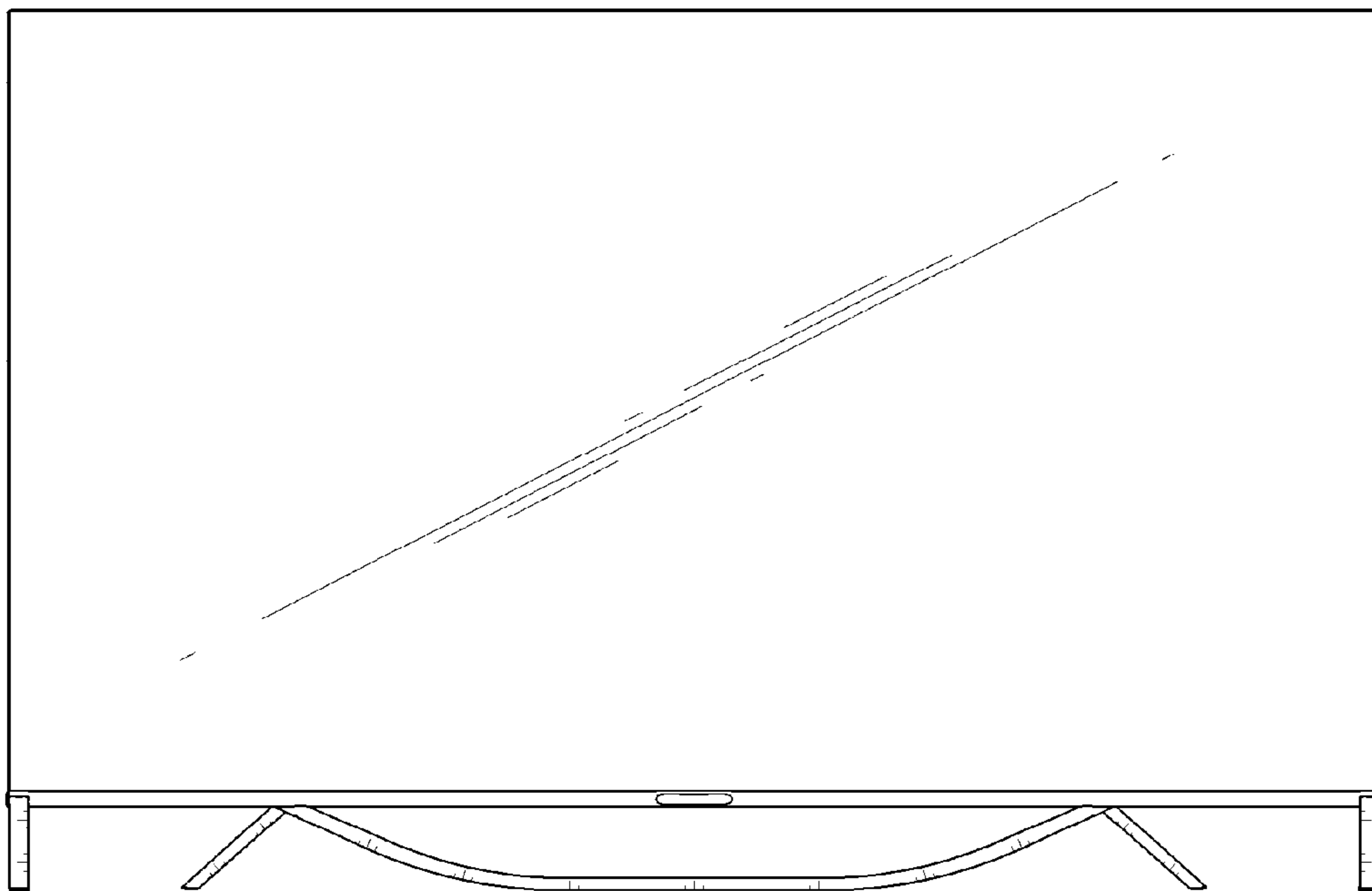


FIG. 3

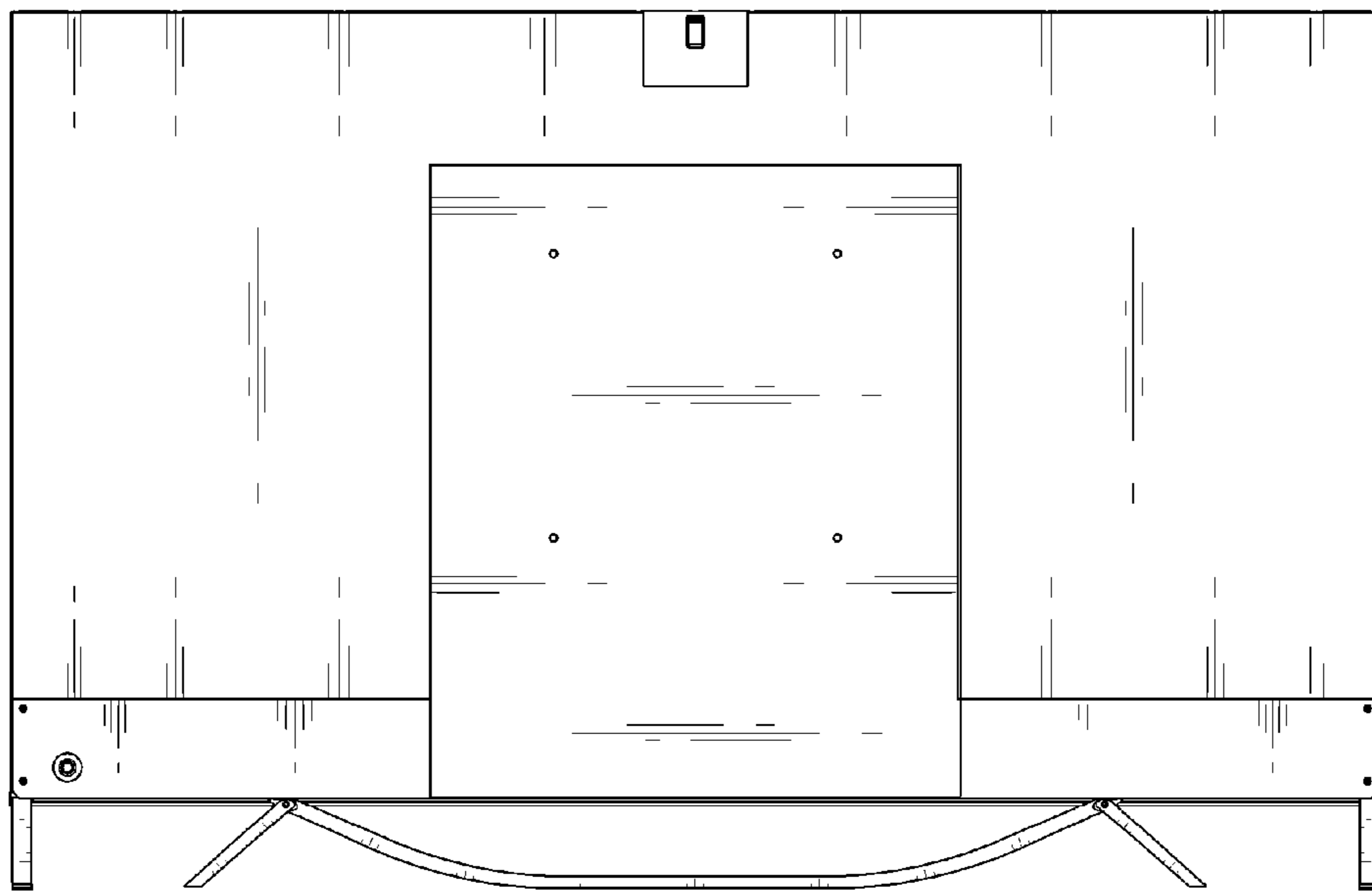


FIG. 4

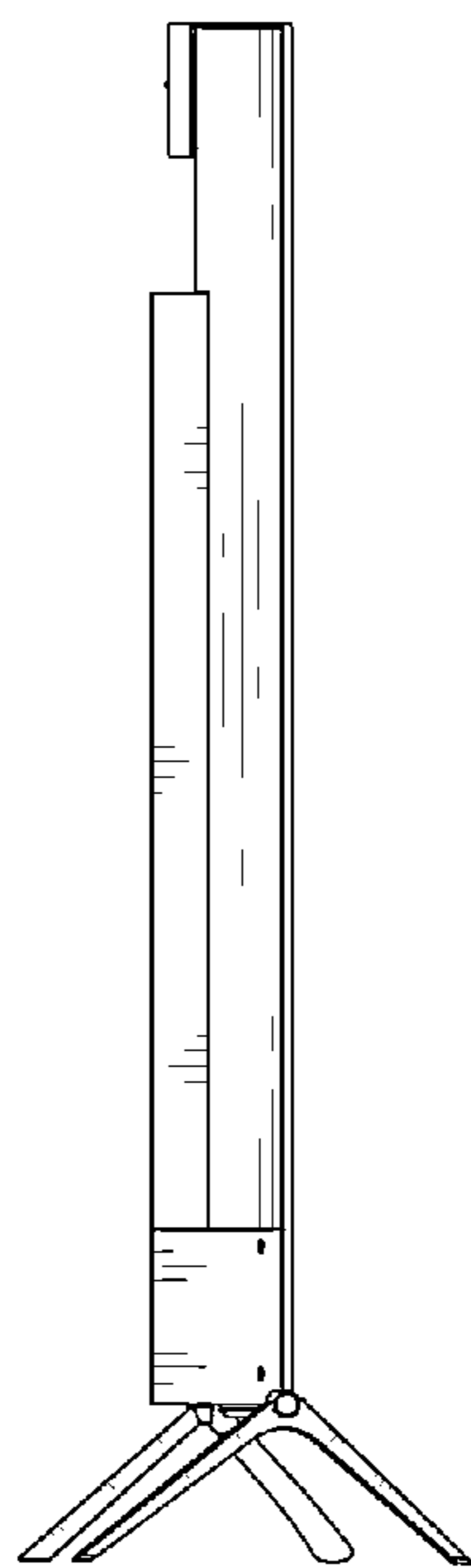


FIG. 5

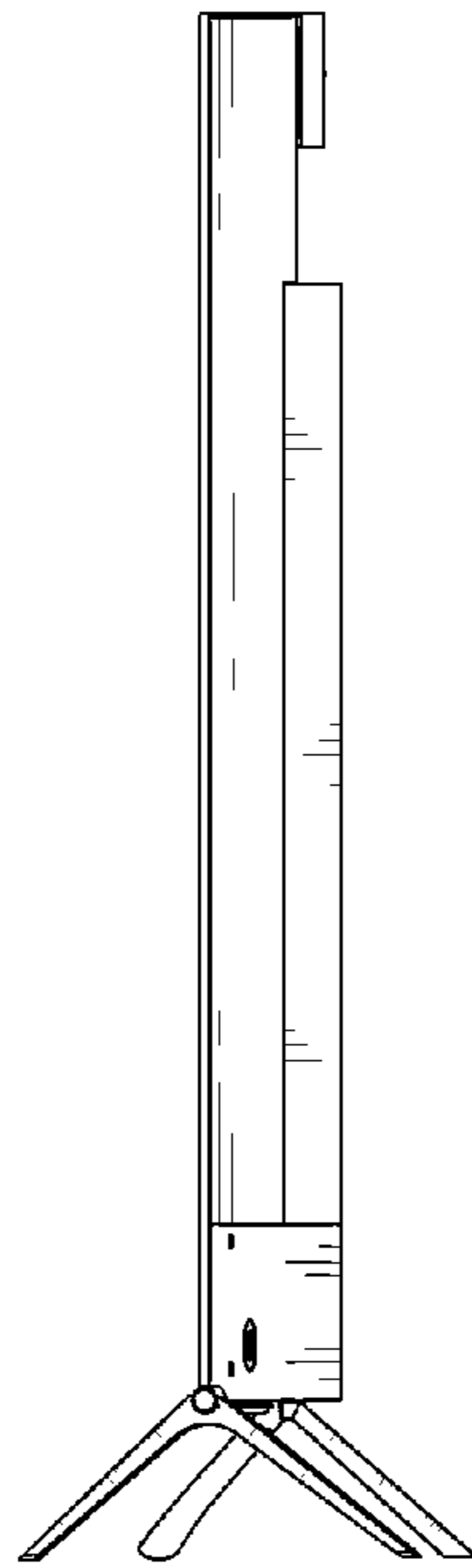


FIG. 6

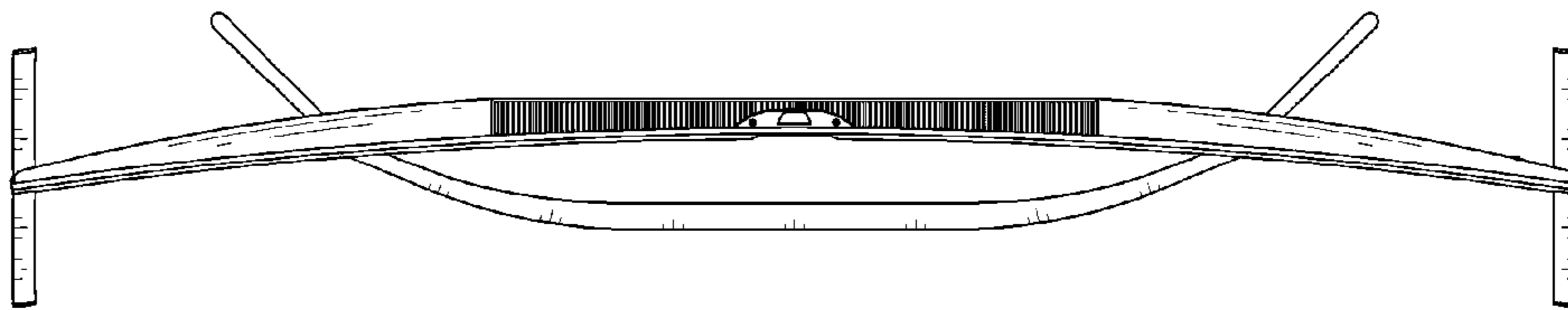


FIG. 7

