



US00D722988S

(12) **United States Design Patent**
Kim et al.

(10) **Patent No.:** **US D722,988 S**
(45) **Date of Patent:** **** Feb. 24, 2015**

(54) **TV RECEIVER**

(75) Inventors: **Hee Bong Kim**, Seoul (KR); **Euiseok Kim**, Kyungki-do (KR)

(73) Assignee: **Samsung Electronics Co., Ltd**, Suwon-Si (KR)

(**) Term: **14 Years**

(21) Appl. No.: **29/425,017**

(22) Filed: **Jun. 19, 2012**

(51) **LOC (10) Cl.** **14-03**

(52) **U.S. Cl.**
USPC **D14/126**

(58) **Field of Classification Search**
USPC D14/126, 127, 128, 129, 239, 371, 136,
D14/341; 312/7.2; 348/836, 838, 180, 184,
348/325, 739; 341/12; 248/917-924, 465;
345/104, 133, 156, 168, 87, 173;
720/605, 600, 655; 455/347;
273/148 B; 229/926, 904, 74, 8.5;
D20/11, 17, 27, 39, 40

See application file for complete search history.

(56) **References Cited**

U.S. PATENT DOCUMENTS

D557,227 S * 12/2007 Isshiki D14/126
D567,200 S * 4/2008 Rieu Piquet D14/126

D572,217 S * 7/2008 Shih D14/126
D581,888 S * 12/2008 Isshiki D14/126
D591,250 S * 4/2009 Yoshimura D14/126
D659,661 S * 5/2012 Lim et al. D14/126
D659,662 S * 5/2012 Lv et al. D14/126
D673,467 S * 1/2013 Lee et al. D10/50

* cited by examiner

Primary Examiner — Robert M Spear

Assistant Examiner — Eliza Bennett-Hattan

(74) *Attorney, Agent, or Firm* — Ladas & Parry LLP

(57) **CLAIM**

We claim the ornamental design for a TV receiver, as shown and described.

DESCRIPTION

FIG. 1 is a front/right-side/top perspective view of a TV receiver showing our new design;

FIG. 2 is a front-side elevational view thereof;

FIG. 3 is a rear-side elevational view thereof;

FIG. 4 is a left-side elevational view thereof;

FIG. 5 is a right-side elevational view thereof;

FIG. 6 is a top-side elevational view thereof;

FIG. 7 is a bottom-side elevational view thereof;

FIG. 8 is an enlarged partial view of a left side cross section of the TV receiver of FIG. 1; and,

FIG. 9 is an enlarged detail view of the top right portion of FIG. 1.

The broken lines in the drawing depict environmental subject matter only and form no part of the claimed design.

1 Claim, 8 Drawing Sheets

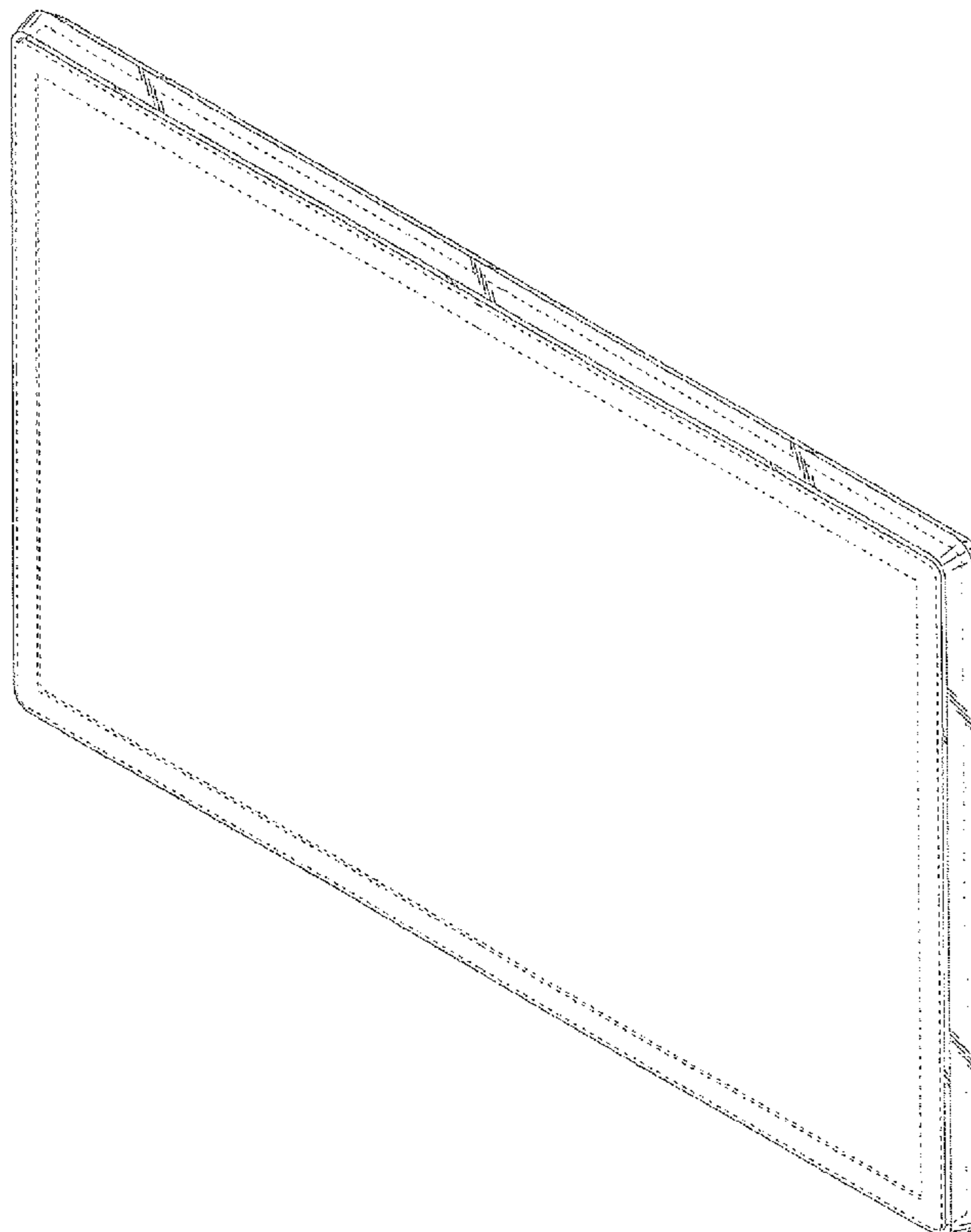


FIG. 1

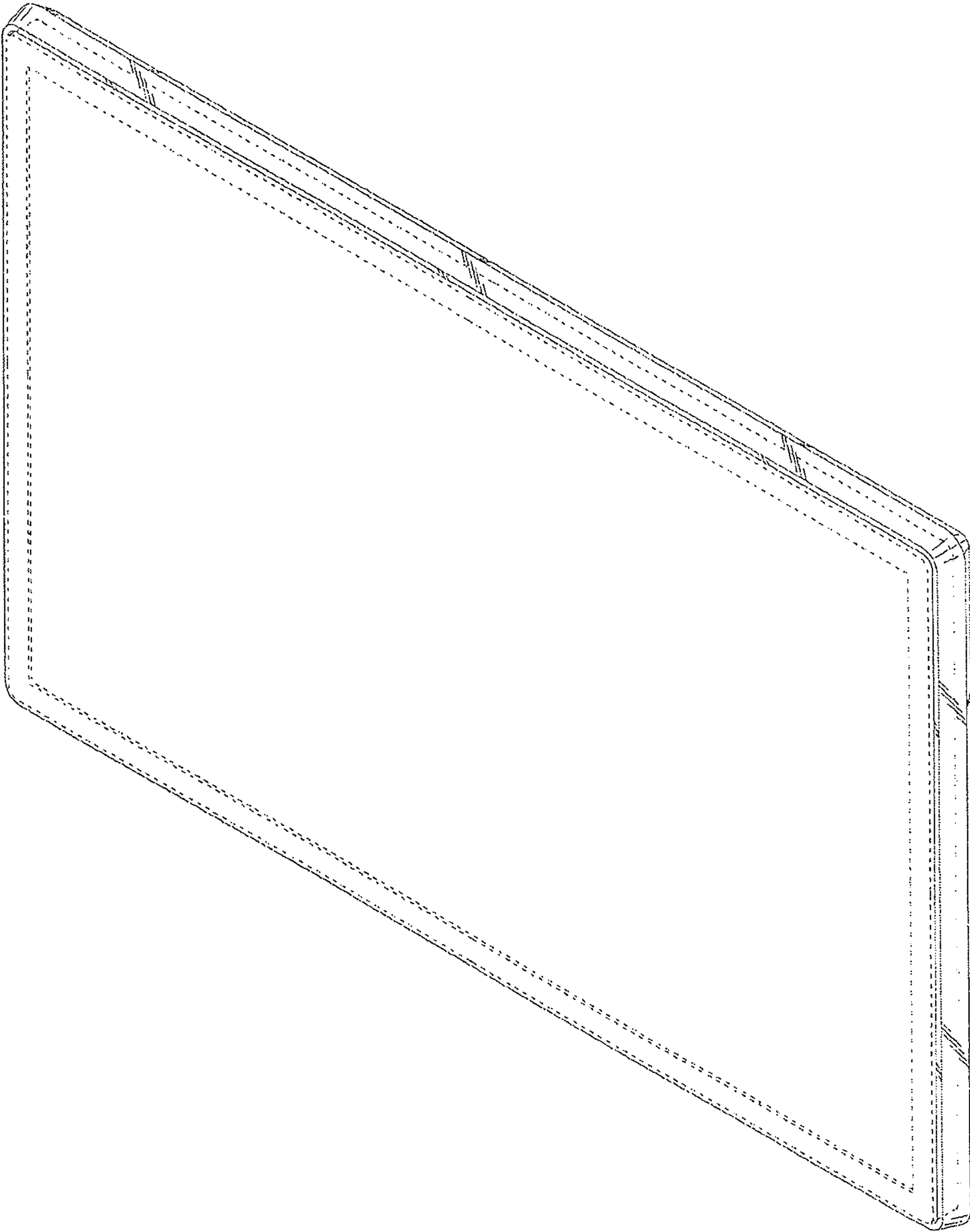


FIG. 2

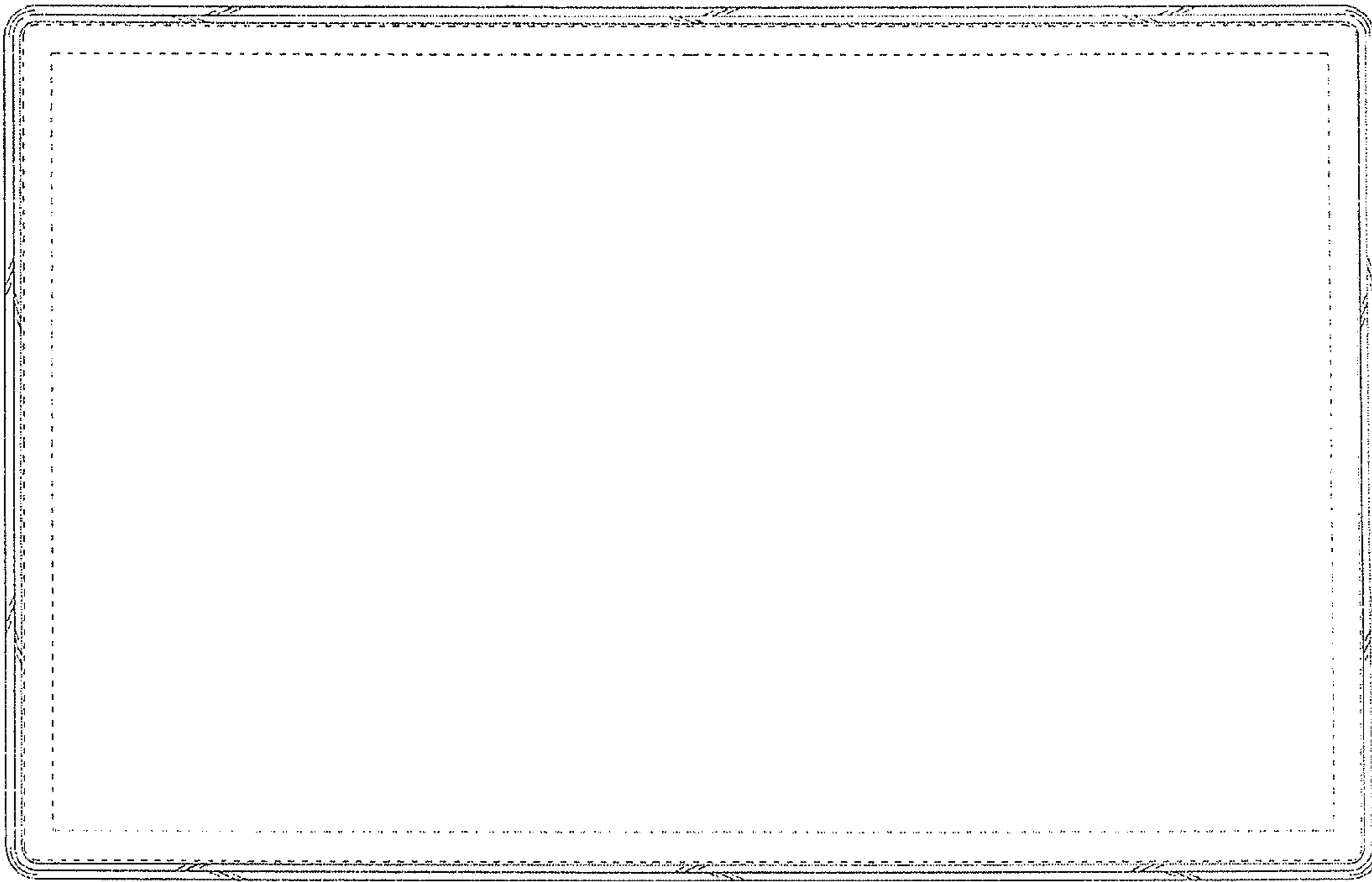


FIG. 3

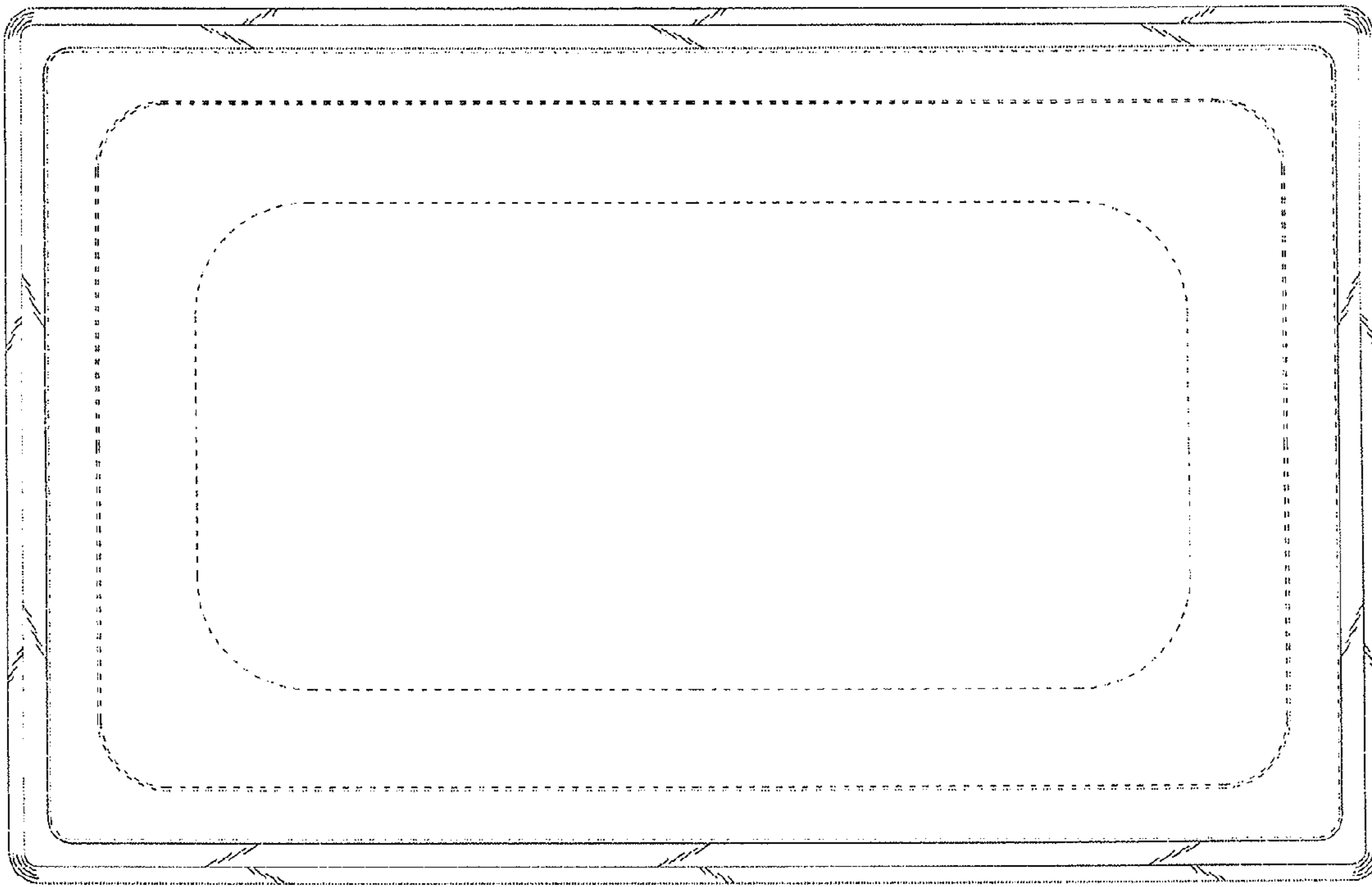


FIG. 4

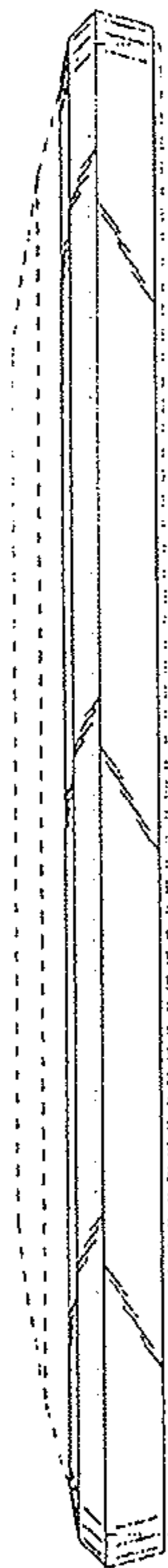


FIG. 5

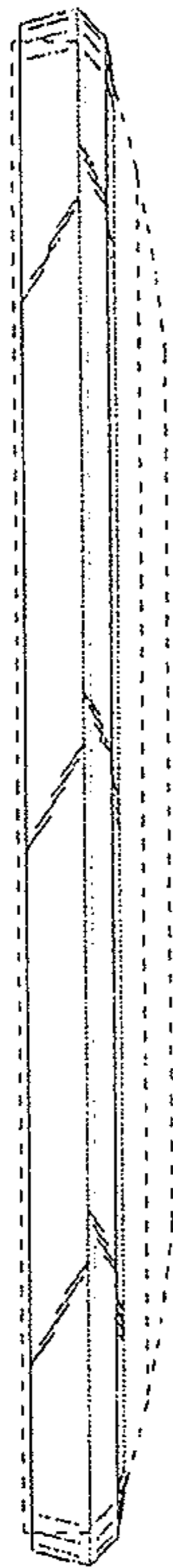


FIG. 6

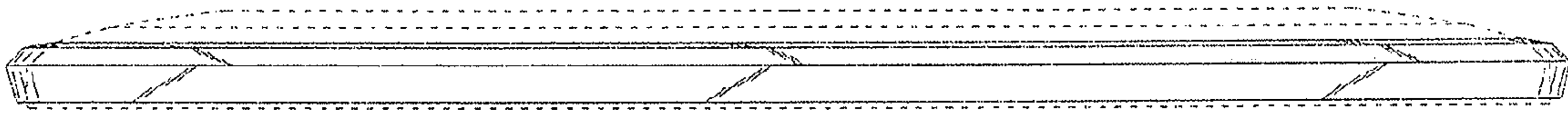


FIG. 7

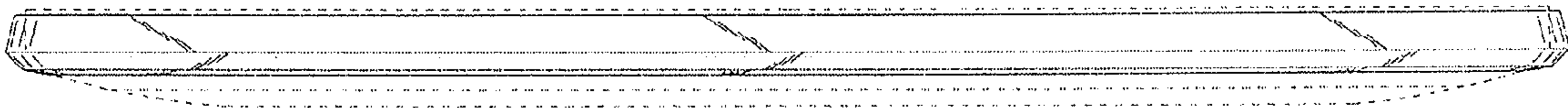


FIG. 8

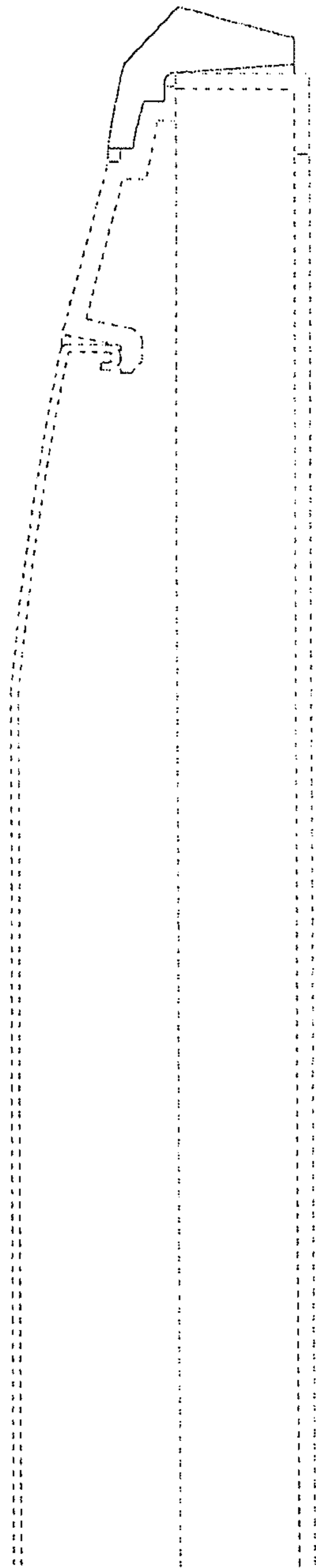


FIG. 9

