



US00D722985S

(12) **United States Design Patent**
Won et al.

(10) **Patent No.:** **US D722,985 S**

(45) **Date of Patent:** **** Feb. 24, 2015**

(54) **SET-TOP BOX**

(56) **References Cited**

(71) Applicant: **Samsung Electronics Co., Ltd.**,
Suwon-si (KR)

U.S. PATENT DOCUMENTS

(72) Inventors: **Tae Yeon Won**, Seoul (KR); **Sangyong Park**, Seoul (KR); **JinSu Park**, Seoul (KR)

D526,648	S	*	8/2006	Andre et al.	D14/314
D568,312	S	*	5/2008	Wang et al.	D14/356
D613,283	S	*	4/2010	Andre et al.	D14/314
D616,875	S	*	6/2010	Oh et al.	D14/240
D636,357	S	*	4/2011	Kim et al.	D14/125
D650,394	S	*	12/2011	Seoc et al.	D14/496
D657,784	S	*	4/2012	Akana et al.	D14/314
D660,834	S	*	5/2012	Akana et al.	D14/314
D673,128	S	*	12/2012	Kelly et al.	D14/125
D689,859	S	*	9/2013	Kurata	D14/365
D693,808	S	*	11/2013	Kim et al.	D14/365
D697,941	S	*	1/2014	Zhang et al.	D14/496
D701,183	S	*	3/2014	Son et al.	D14/125

(73) Assignee: **Samsung Electronics Co., Ltd.**,
Suwon-si (KR)

(**) Term: **14 Years**

* cited by examiner

(21) Appl. No.: **29/486,780**

Primary Examiner — Randall Gholson

(22) Filed: **Apr. 2, 2014**

(74) *Attorney, Agent, or Firm* — NSIP Law

(30) **Foreign Application Priority Data**

(57) **CLAIM**

We claim the ornamental design for a set-top box, as shown and described.

Oct. 15, 2013 (KR) 30-2013-0052065

DESCRIPTION

(51) **LOC (10) Cl.** **14-03**

FIG. 1 is a front perspective view of a set-top box showing our new design;

(52) **U.S. Cl.**

FIG. 2 is a front view thereof;

USPC **D14/125**

FIG. 3 is a rear view thereof;

(58) **Field of Classification Search**

USPC D14/125, 357-358, 496, 188, 242, 432;
D13/184; 348/10, 460, 706, 731;
340/825.03; 455/6.1, 6.2; 312/223.1,
312/7.2

FIG. 4 is a left-side view thereof;

FIG. 5 is a right-side view thereof;

FIG. 6 is a top view thereof; and,

FIG. 7 is a bottom view thereof.

The broken lines in the figures show portions of the set-top box which form no part of the claimed design.

See application file for complete search history.

1 Claim, 7 Drawing Sheets

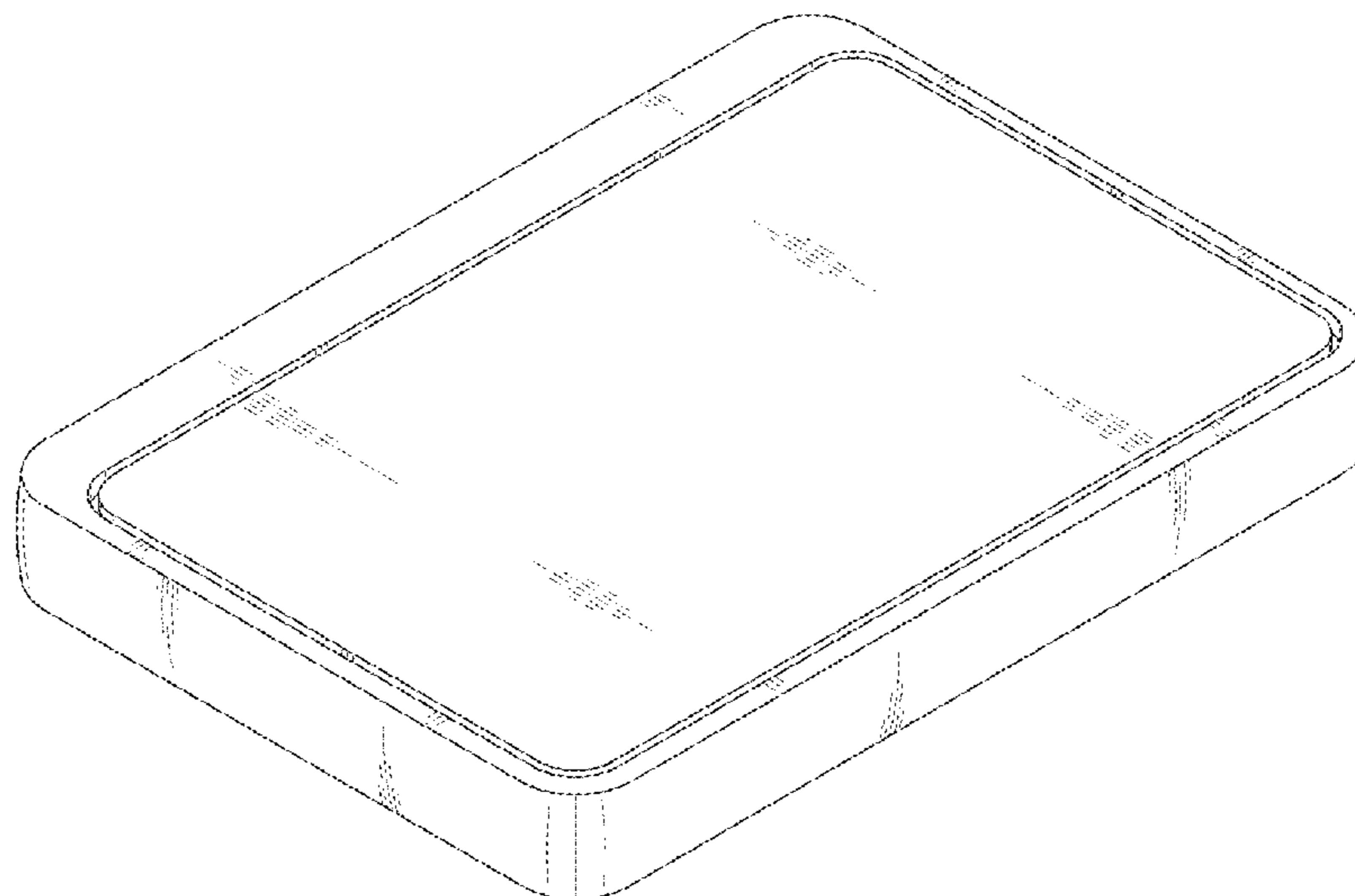


Fig. 1

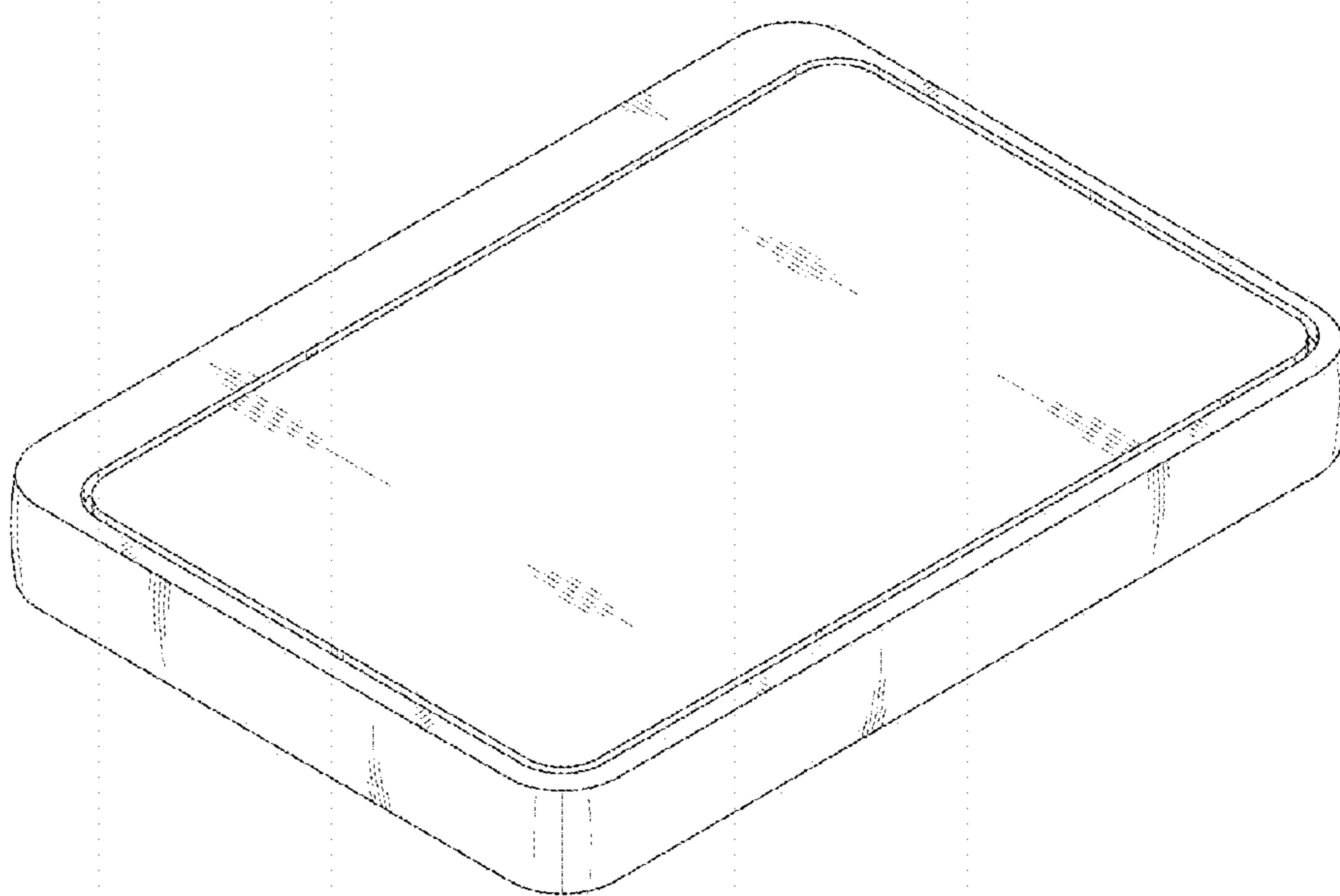


Fig. 2

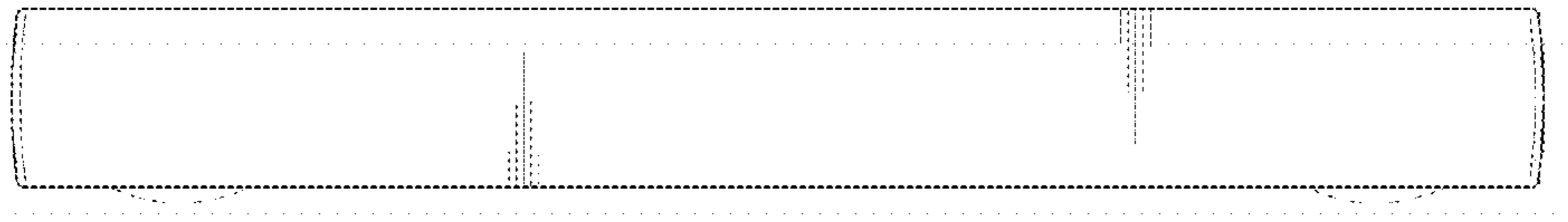


Fig. 3

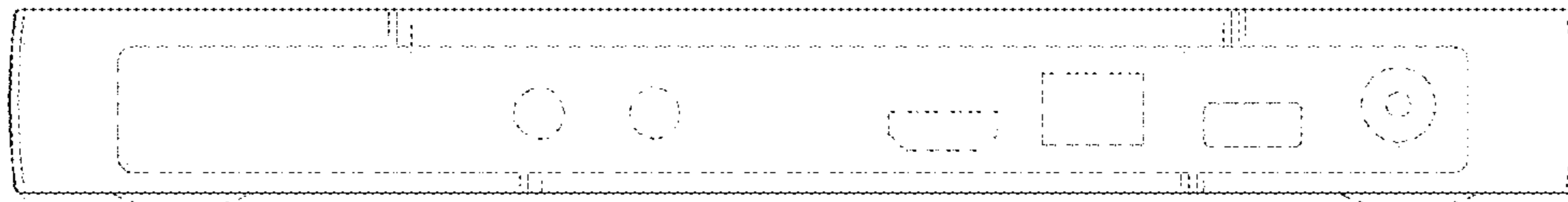


Fig. 4

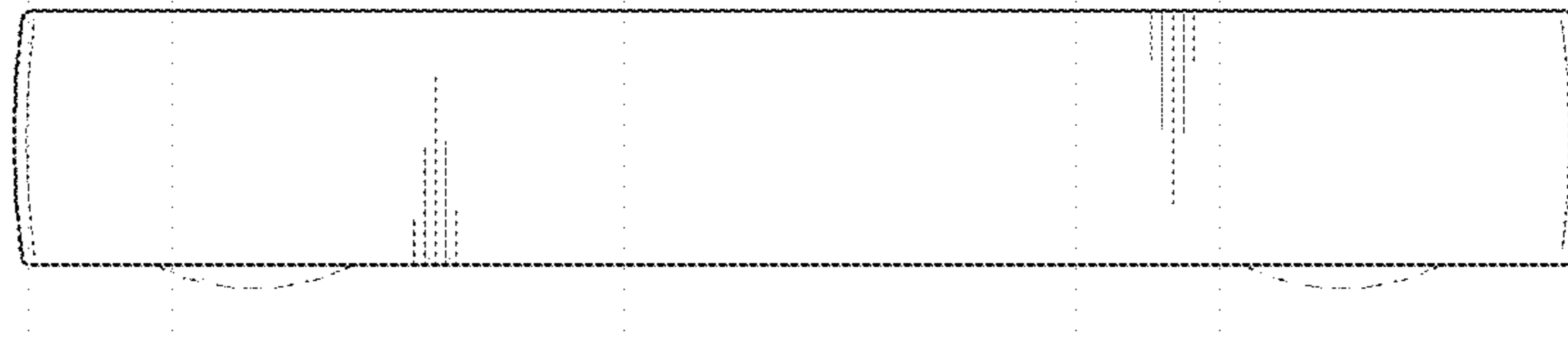


Fig. 5

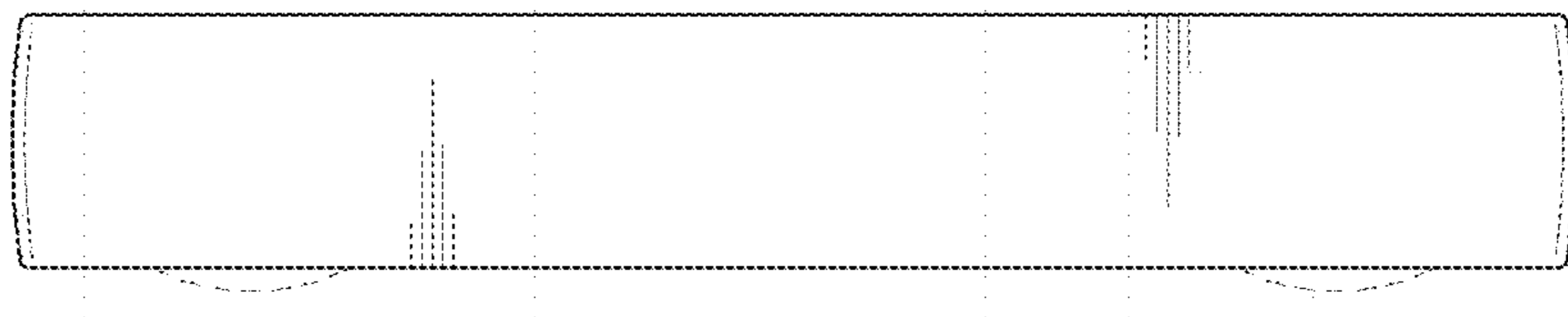


Fig. 6

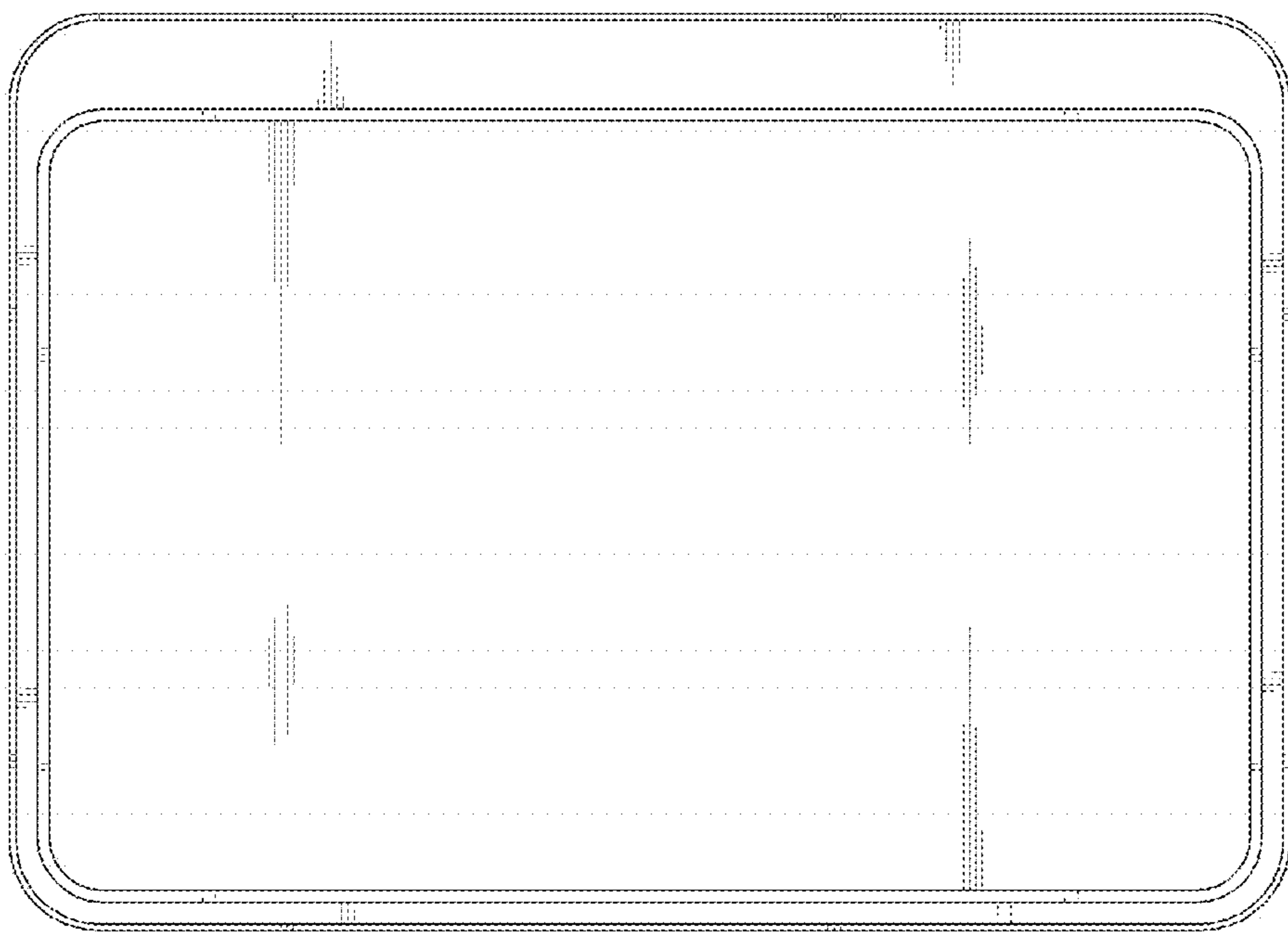


Fig. 7

