



US00D722980S

(12) **United States Design Patent**
Savoy et al.

(10) **Patent No.:** **US D722,980 S**
(45) **Date of Patent:** **** Feb. 24, 2015**

(54) **LATCH APPARATUS FOR RETAINING A FLEXIBLE CIRCUIT CABLE WITHIN A RECEPTACLE MOUNTED ON A CIRCUIT BOARD**

(71) Applicant: **Xerox Corporation**, Norwalk, CT (US)

(72) Inventors: **Matthew D. Savoy**, Webster, NY (US);
Glenn M. Keenan, Rochester, NY (US)

(73) Assignee: **Xerox Corporation**, Norwalk, CT (US)

(**) Term: **14 Years**

(21) Appl. No.: **29/488,983**

(22) Filed: **Apr. 25, 2014**

(51) **LOC (10) Cl.** **13-03**

(52) **U.S. Cl.**
USPC **D13/155**

(58) **Field of Classification Search**
USPC D13/155, 120, 133, 147, 153, 154, 156,
D13/184, 199; D8/349, 354, 356; 174/50,
174/68.1, 68.2, 72 A, 72 C, 95, 99 R; 248/73;
439/78, 80, 210, 271, 277, 584, 587
See application file for complete search history.

(56) **References Cited**

U.S. PATENT DOCUMENTS

4,687,276 A 8/1987 Stockmaster
5,906,501 A * 5/1999 Longueville et al. 439/327
5,928,029 A 7/1999 Lam
6,568,955 B2 5/2003 Hotea et al.
6,586,681 B2 7/2003 Adams et al.

6,875,047 B2 4/2005 Ueda
7,473,125 B2 1/2009 Murakami
D593,037 S * 5/2009 Shien-Tang D13/154
7,534,139 B2 5/2009 Andre et al.
D593,491 S * 6/2009 Liu et al. D13/133
D594,825 S * 6/2009 Sweeney et al. D13/155
D606,025 S * 12/2009 Cheng et al. D13/155
D643,368 S * 8/2011 Zhang et al. D13/120
8,221,147 B2 7/2012 Ozeki
2013/0012071 A1 1/2013 Nakazura et al.
2013/0316587 A1 11/2013 Takahashi et al.

FOREIGN PATENT DOCUMENTS

EP 1 439 611 B1 6/2006

* cited by examiner

Primary Examiner — Derrick Holland

(74) *Attorney, Agent, or Firm* — Gibb & Riley, LLC

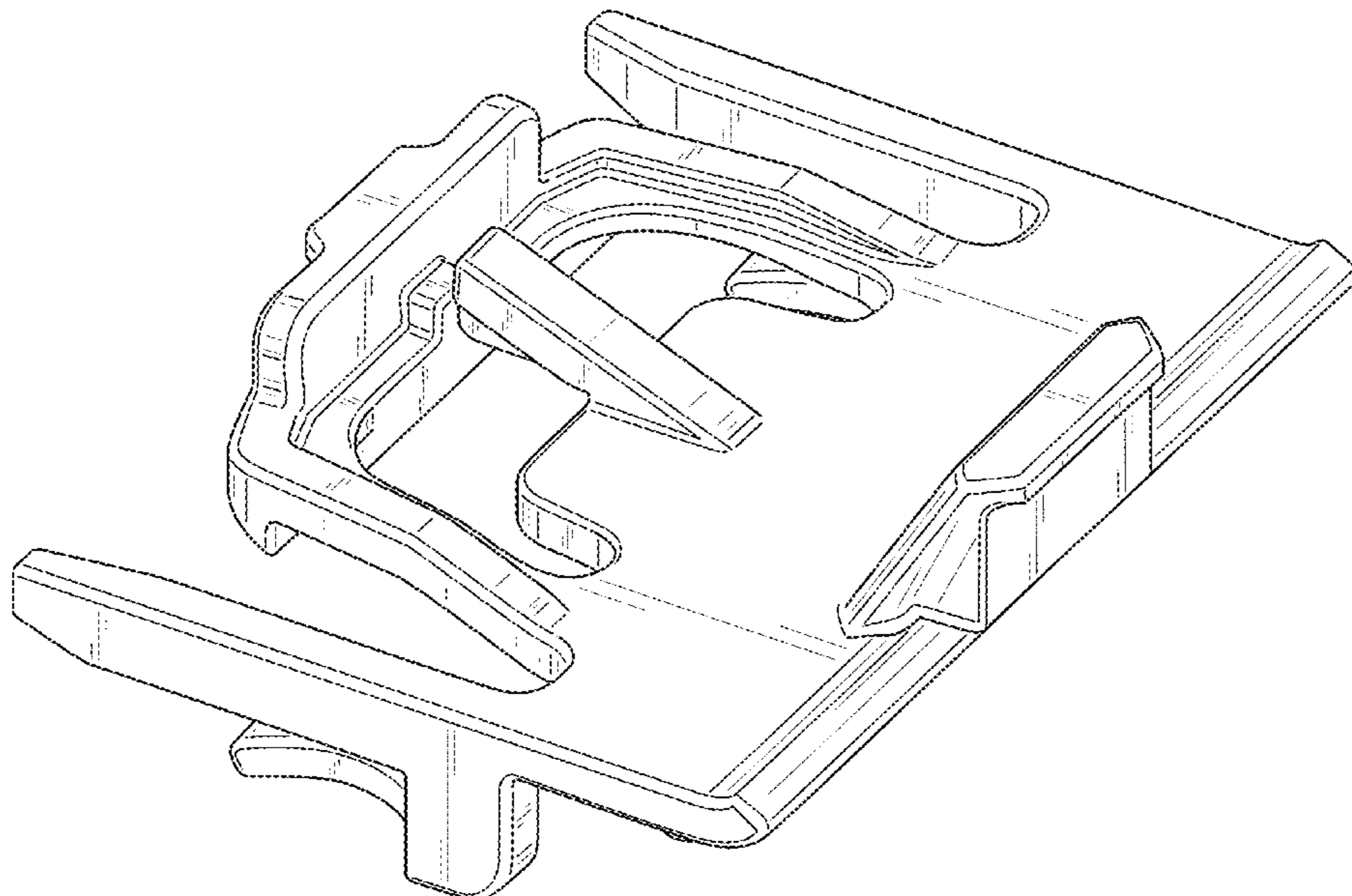
(57) **CLAIM**

The ornamental design for a latch apparatus for retaining a flexible circuit cable within a receptacle mounted on a circuit board, as shown and described.

DESCRIPTION

FIG. 1 is a top perspective view of a latch apparatus for retaining a flexible circuit cable within a receptacle mounted on a circuit board showing our new design; FIG. 2 is a front elevation view thereof; FIG. 3 is a right elevation view thereof; FIG. 4 is a rear elevation view thereof; FIG. 5 is a left elevation view thereof; FIG. 6 is a top plan view thereof; and, FIG. 7 is a bottom plan view thereof.

1 Claim, 7 Drawing Sheets



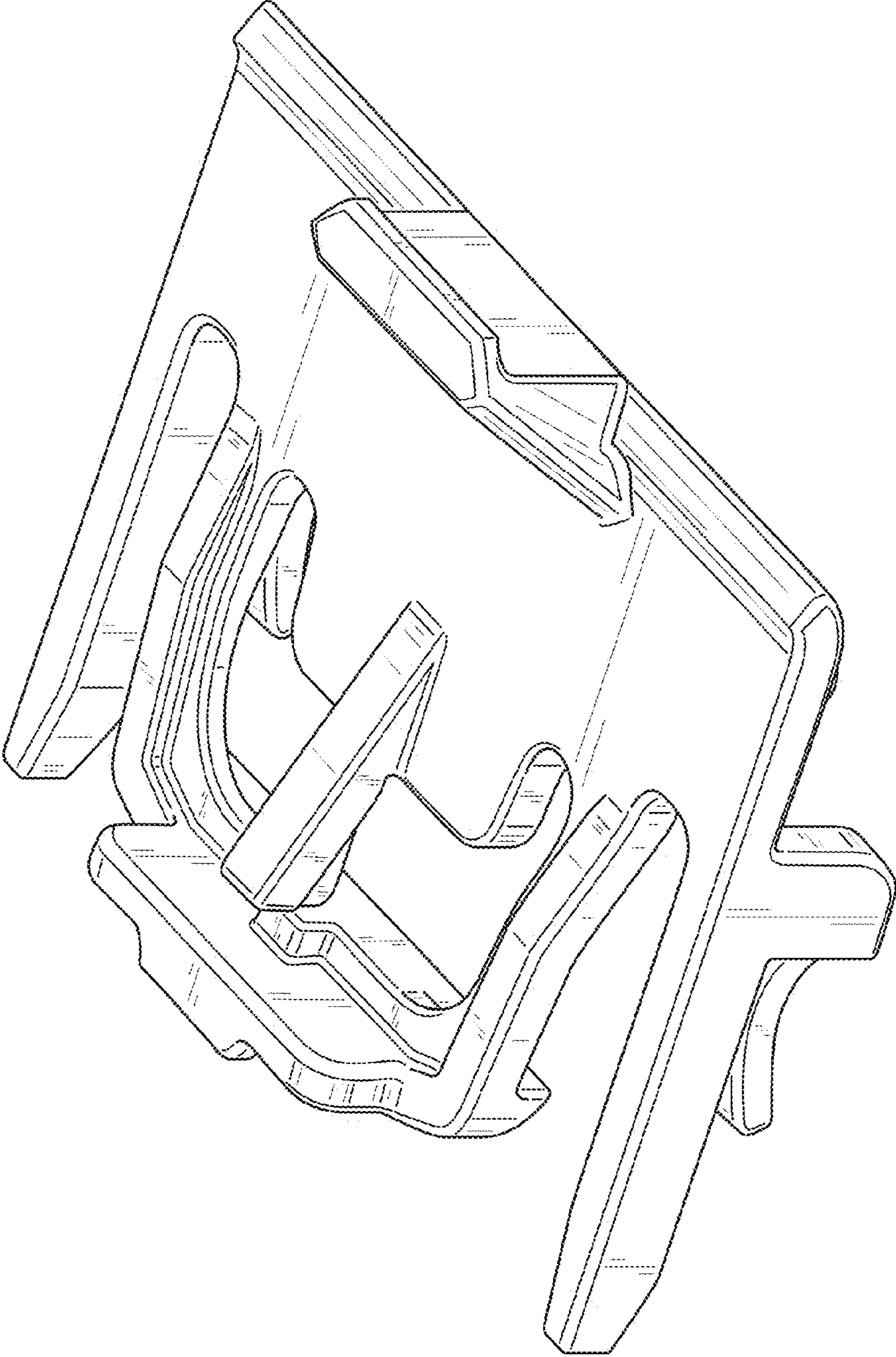


FIG. 1

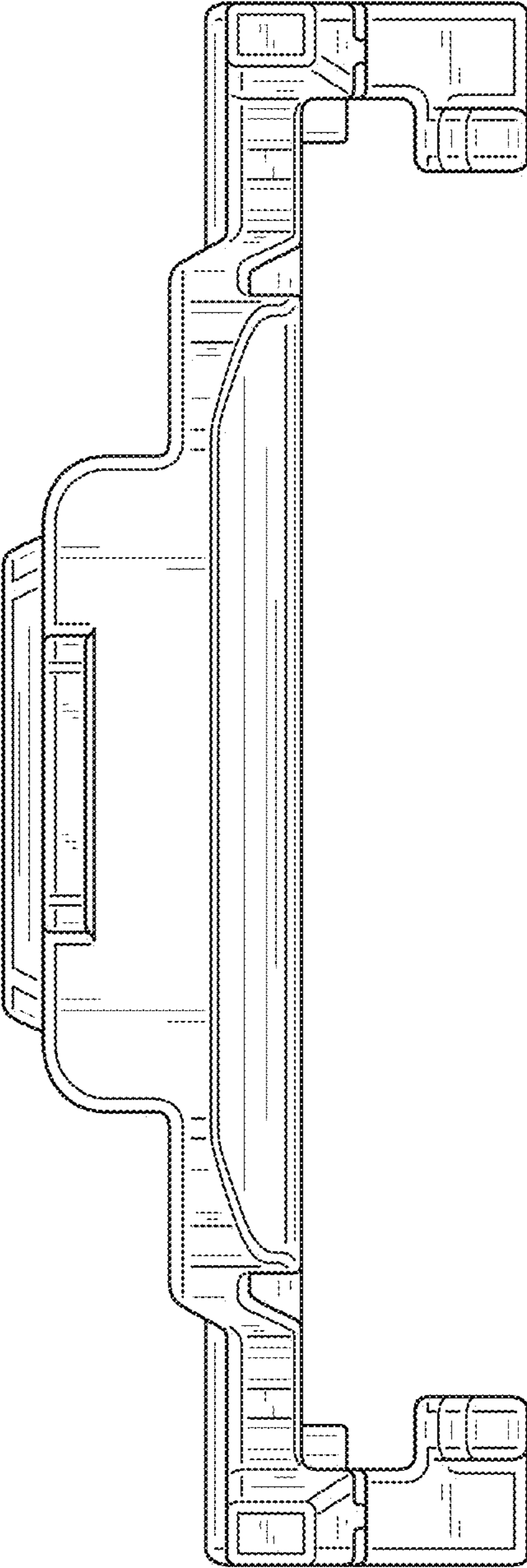


FIG. 2

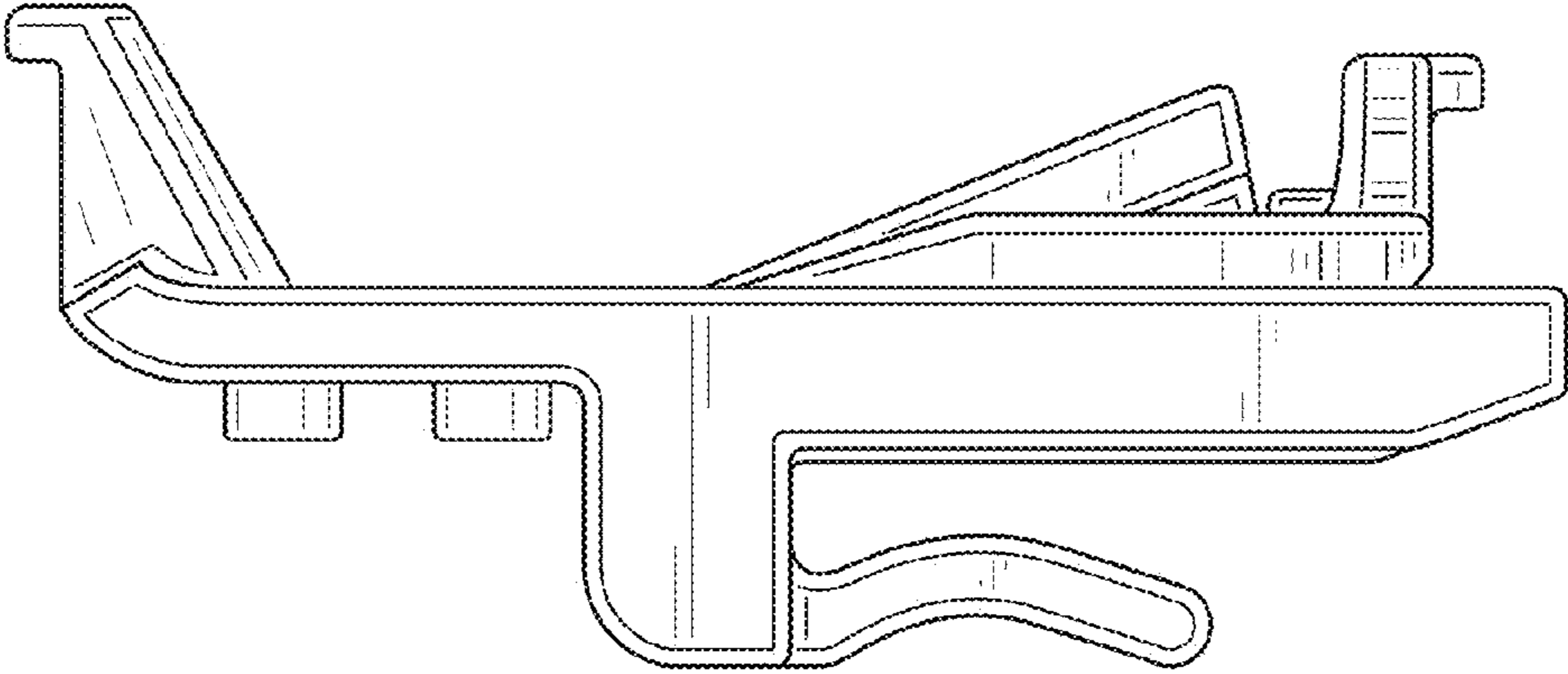


FIG. 3

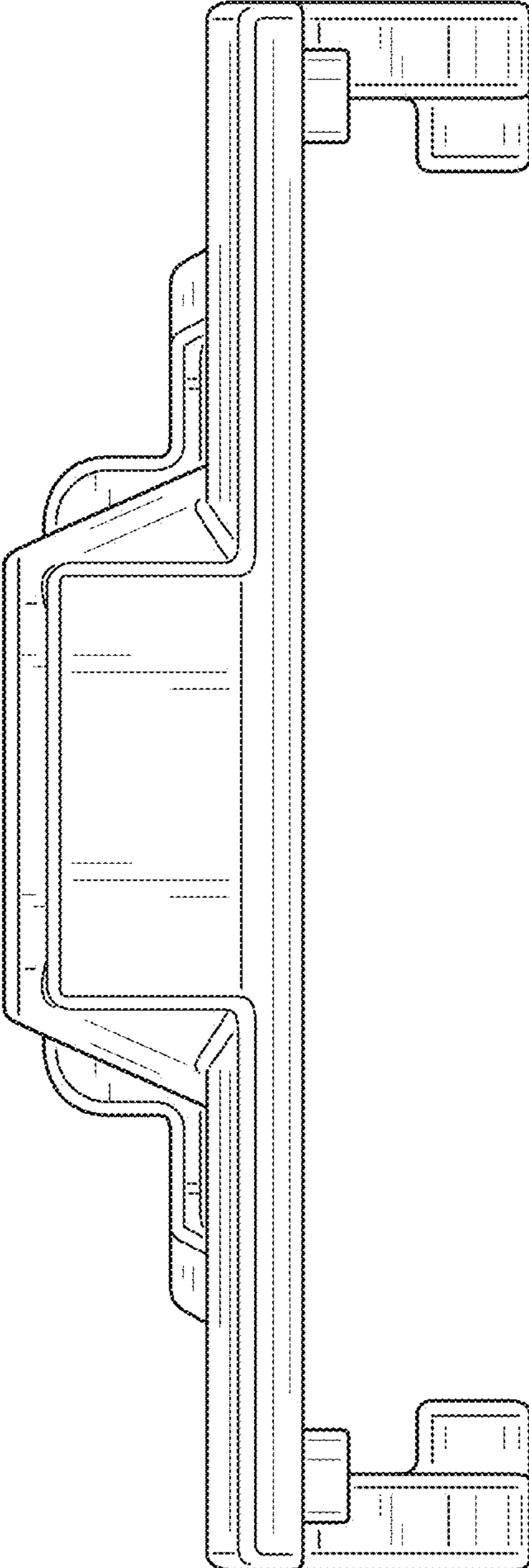


FIG. 4

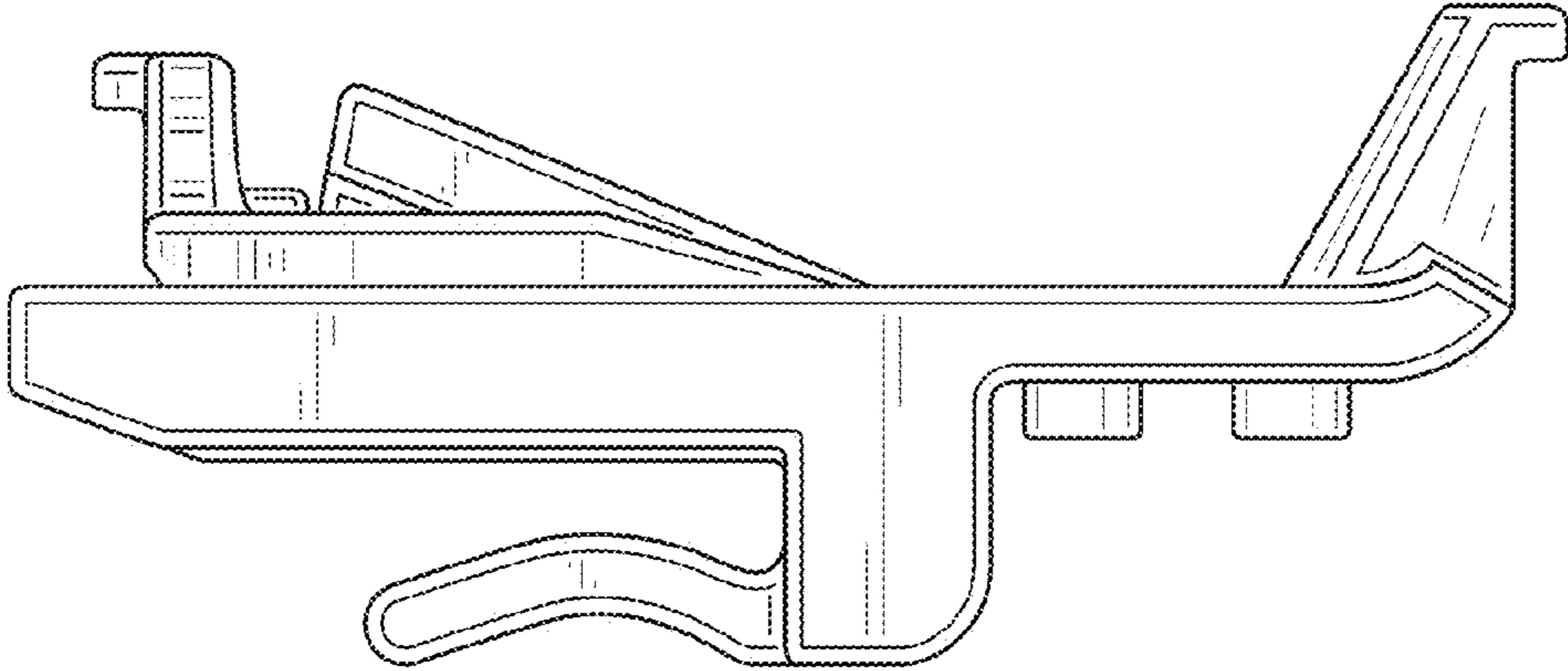


FIG. 5

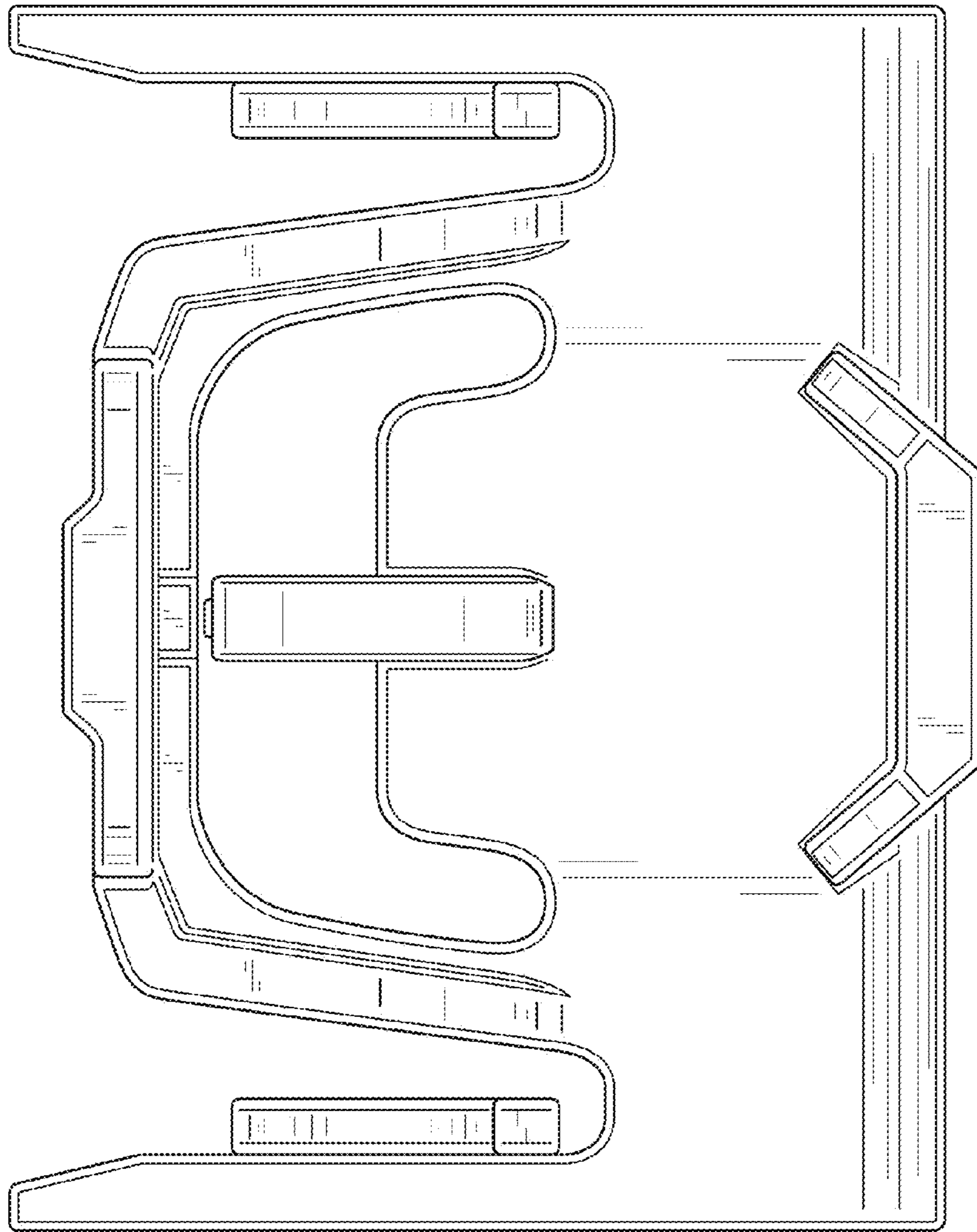


FIG. 6

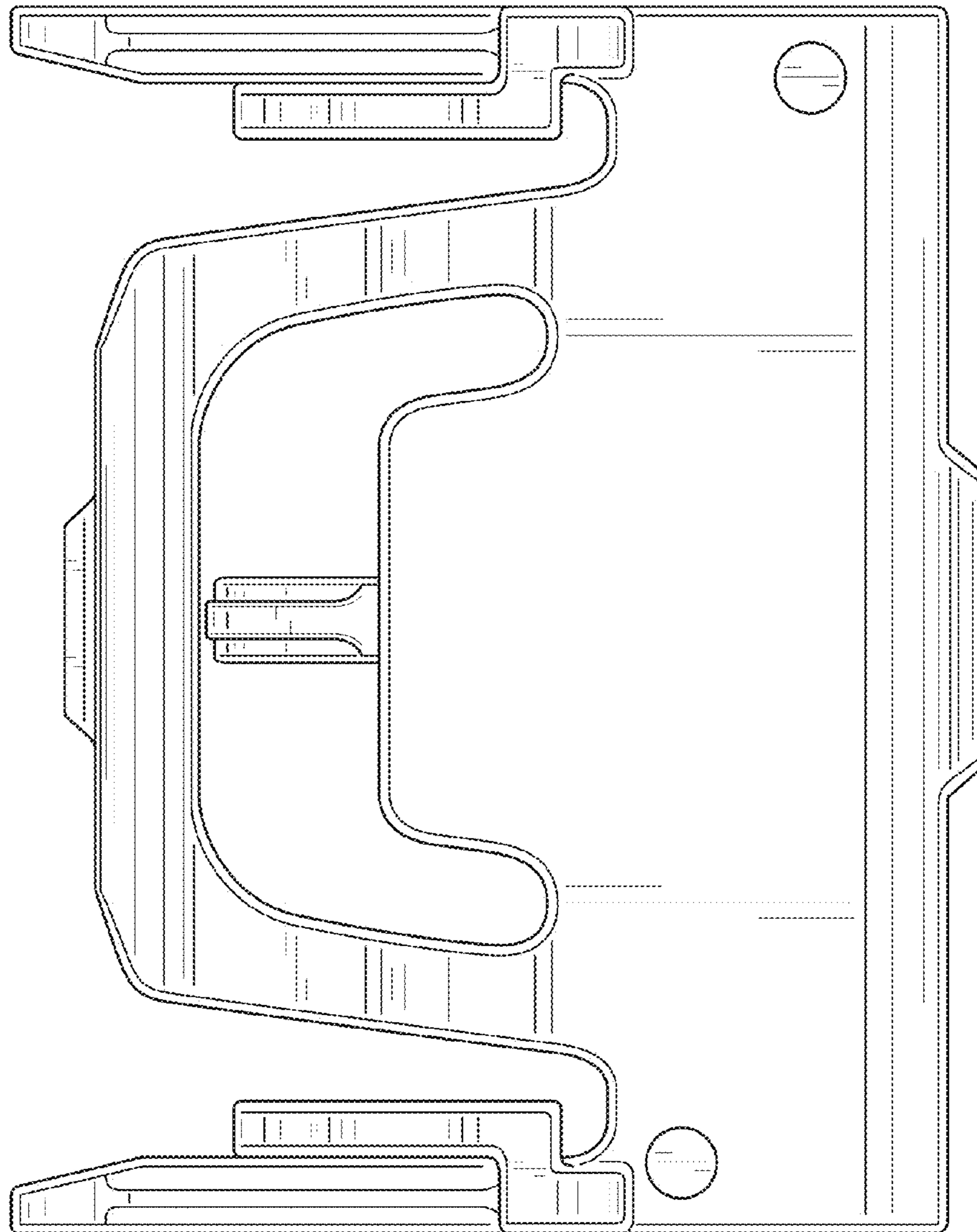


FIG. 7