



US00D722979S

(12) **United States Design Patent**
Kim et al.

(10) **Patent No.:** **US D722,979 S**

(45) **Date of Patent:** **** Feb. 24, 2015**

(54) **ELECTRICAL CONTACT DEVICE**

(71) Applicant: **Samsung Electronics Co., Ltd.**,
Suwon-si (KR)

(72) Inventors: **Hyun-Suk Kim**, Suwon-si (KR);
Young-Gyu Kim, Suwon-si (KR);
Seok-Hyun Yoon, Yongin-si (KR);
Jong-Chul Choi, Suwon-si (KR);
Hyun-Ju Hong, Hwaseong-si (KR)

(73) Assignee: **Samsung Electronics Co., Ltd.** (KR)

(**) Term: **14 Years**

(21) Appl. No.: **29/488,336**

(22) Filed: **Apr. 17, 2014**

(30) **Foreign Application Priority Data**

Oct. 25, 2013 (KR) 30-2013-0053777

(51) **LOC (10) Cl.** **13-03**

(52) **U.S. Cl.**
USPC **D13/154**

(58) **Field of Classification Search**
USPC D13/147, 154, 184, 194; 439/476.1,
439/502, 505, 607.01, 607.04, 607.05,
439/607.17, 607.25, 607.34, 607.41,
439/607.53, 623, 660, 668, 680, 792, 839,
439/842, 843, 845, 846, 849, 850, 865, 866,
439/867, 868, 869, 870, 871, 872, 873, 874,
439/875, 876, 877, 878, 879, 880, 881, 882,
439/883, 884, 885, 886, 887, 888, 889, 890,
439/891, 894

See application file for complete search history.

(56) **References Cited**

U.S. PATENT DOCUMENTS

D555,095	S	*	11/2007	Ho	D13/133
D569,801	S	*	5/2008	Chuang	D13/133
7,510,448	B2	*	3/2009	Eppe et al.	439/835
7,927,158	B2	*	4/2011	Kim et al.	439/816
D644,177	S	*	8/2011	de Bruijn et al.	D13/120
D660,248	S	*	5/2012	Zhang et al.	D13/154
8,206,188	B1	*	6/2012	Zhang et al.	439/862
D704,666	S	*	5/2014	Sasano et al.	D13/154
2014/0227918	A1	*	8/2014	Norridge et al.	439/884

* cited by examiner

Primary Examiner — Daniel Bui

(74) *Attorney, Agent, or Firm* — Cantor Colburn LLP

(57) **CLAIM**

We claim, the ornamental design for an electrical contact device, as shown and described.

DESCRIPTION

FIG. 1 is a front perspective view of an electrical contact device showing our new design;
FIG. 2 is a front view thereof;
FIG. 3 is a rear view thereof;
FIG. 4 is a side view thereof;
FIG. 5 is another side view thereof;
FIG. 6 is a top view thereof;
FIG. 7 is a bottom view thereof; and,
FIG. 8 is a rear perspective view thereof.
The shade lines in the figures show contour and not surface ornamentation.

1 Claim, 5 Drawing Sheets

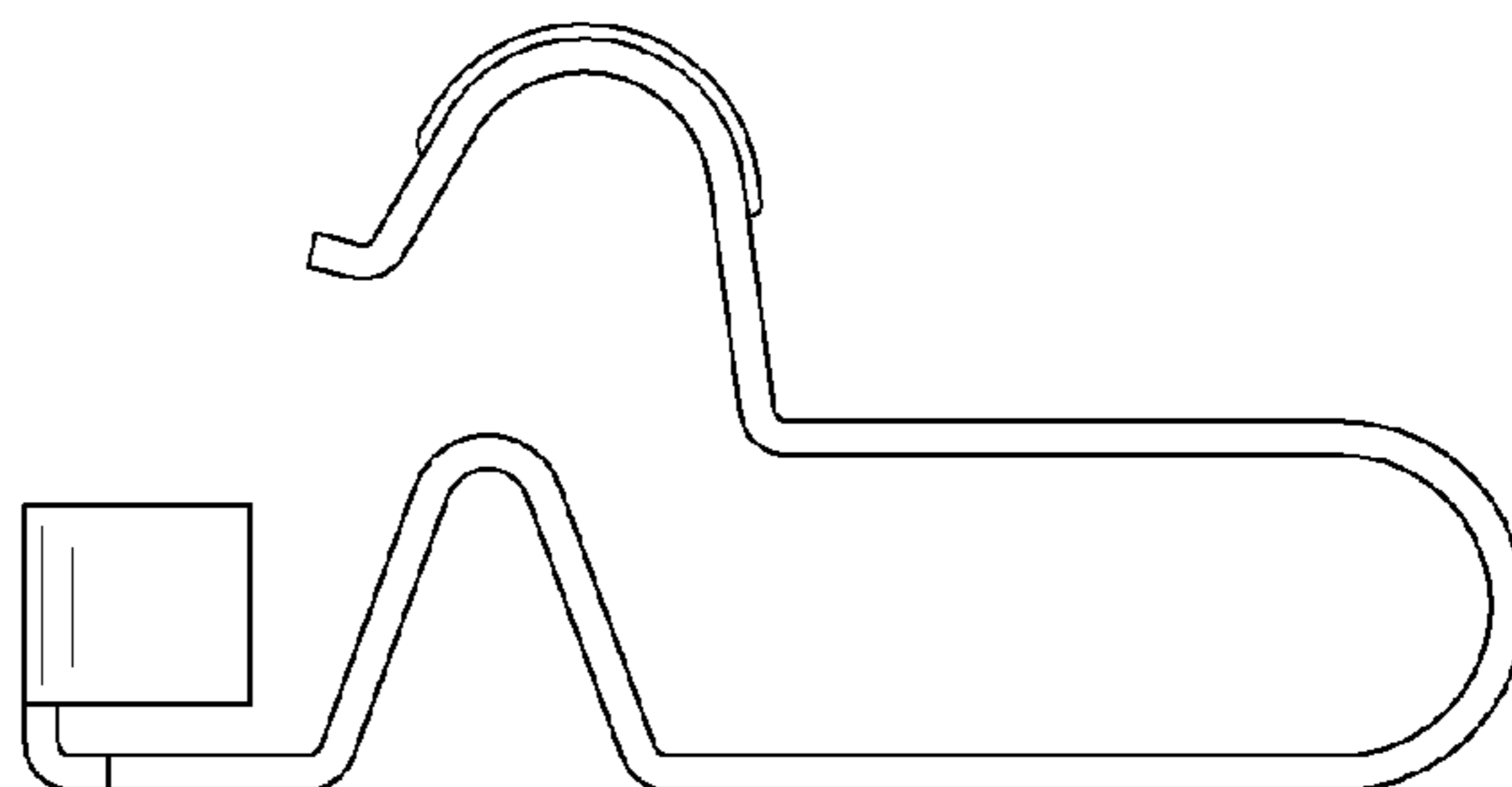
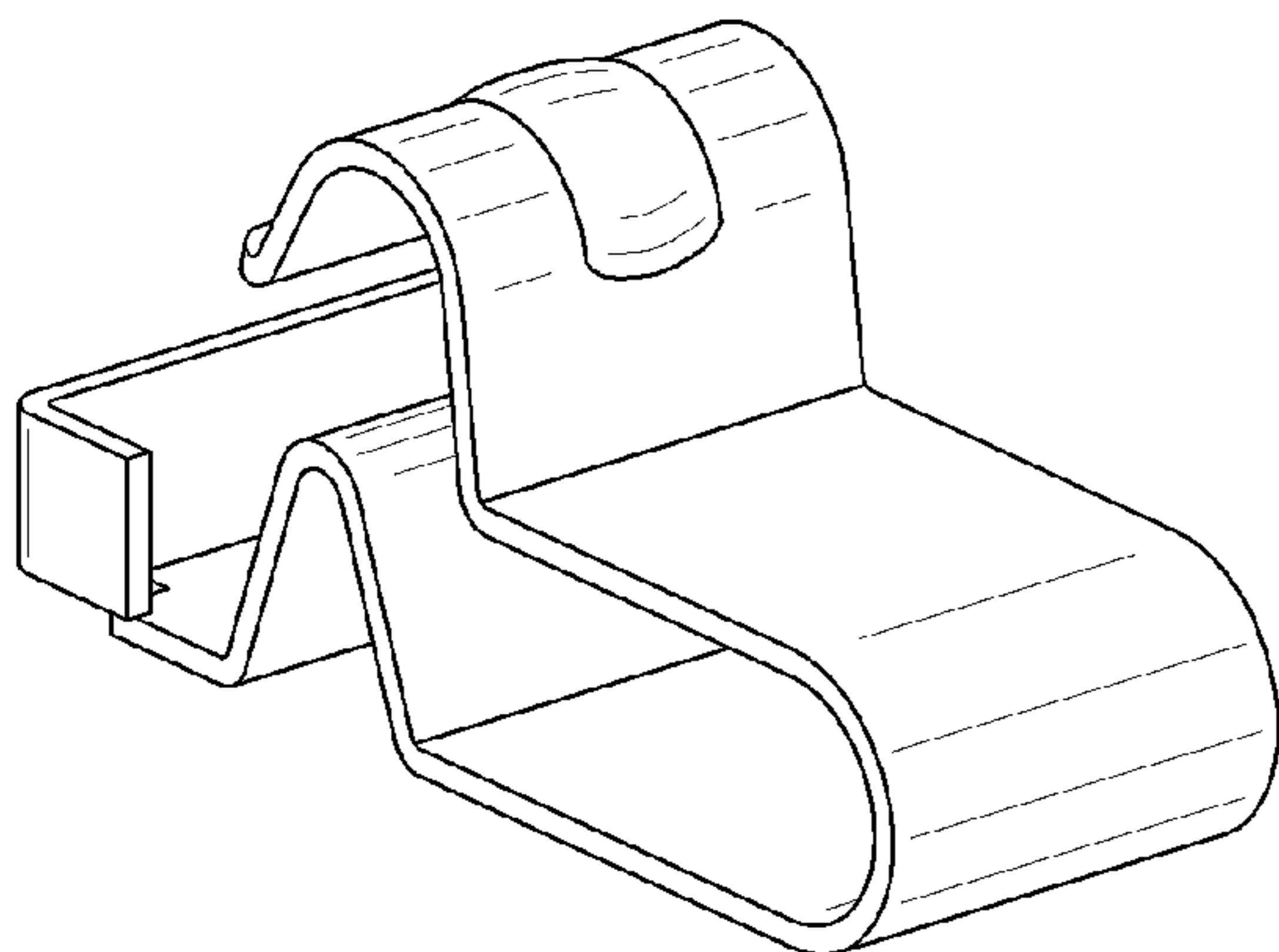


FIG. 1

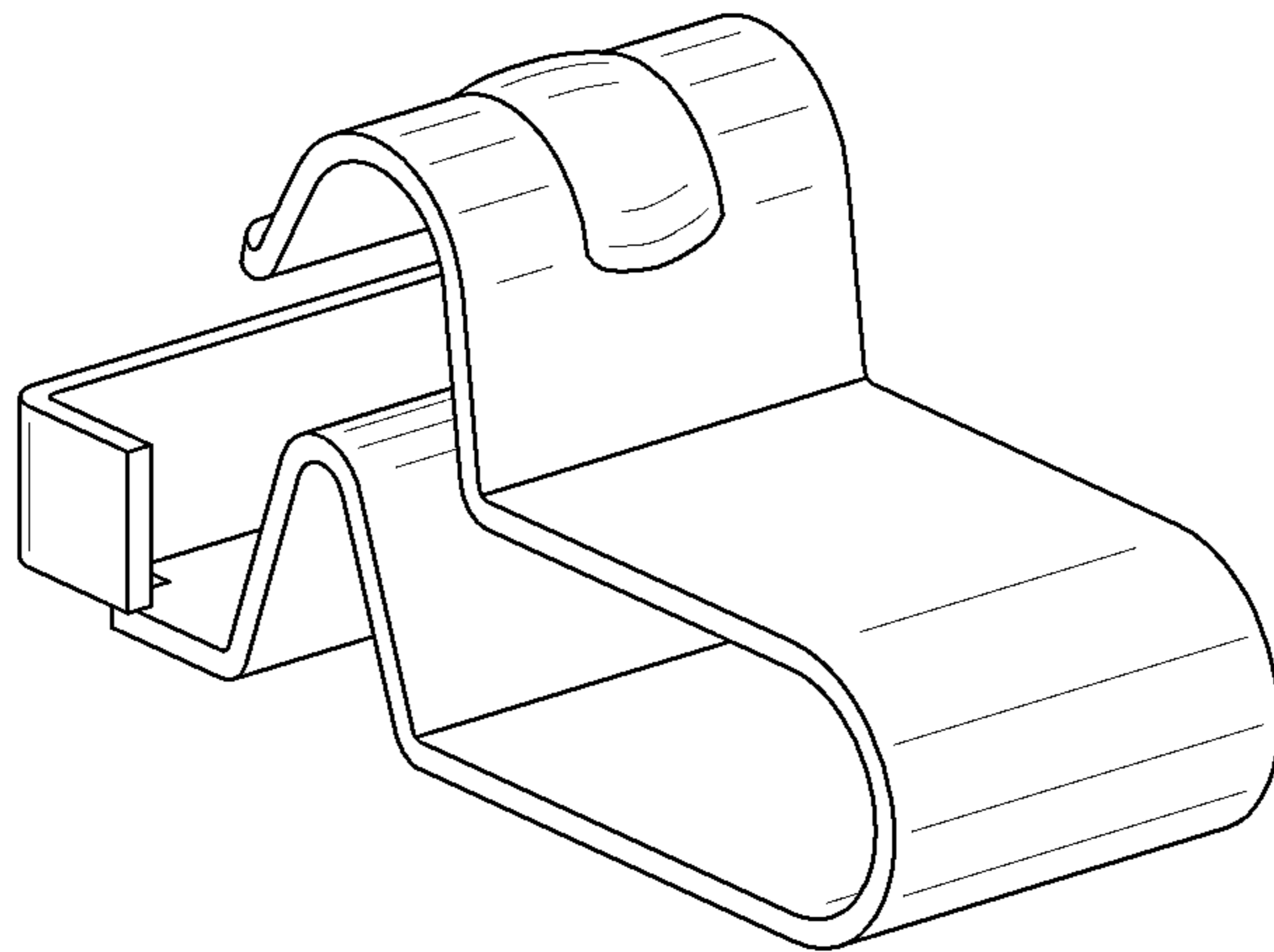


FIG.2

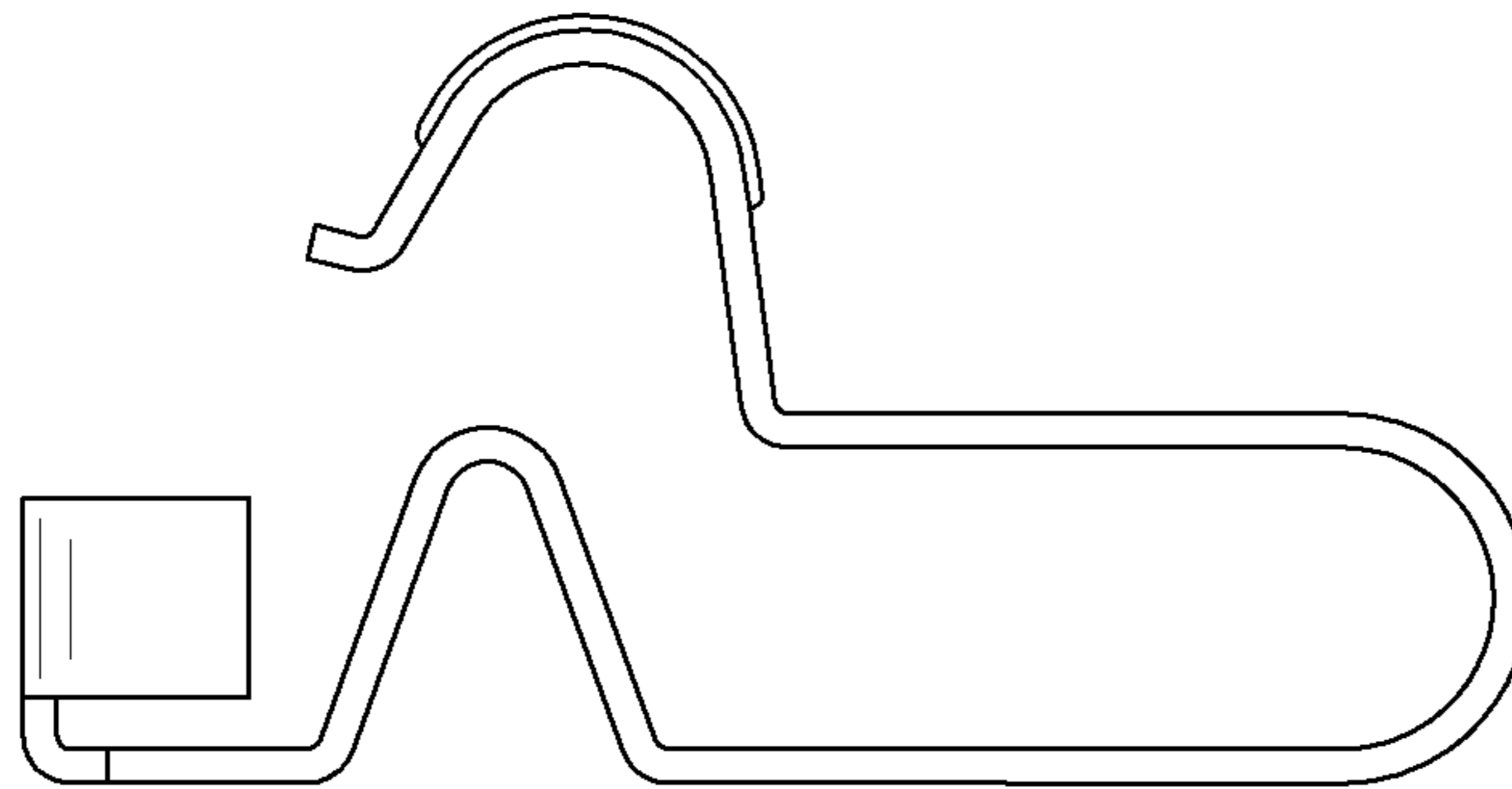


FIG.3

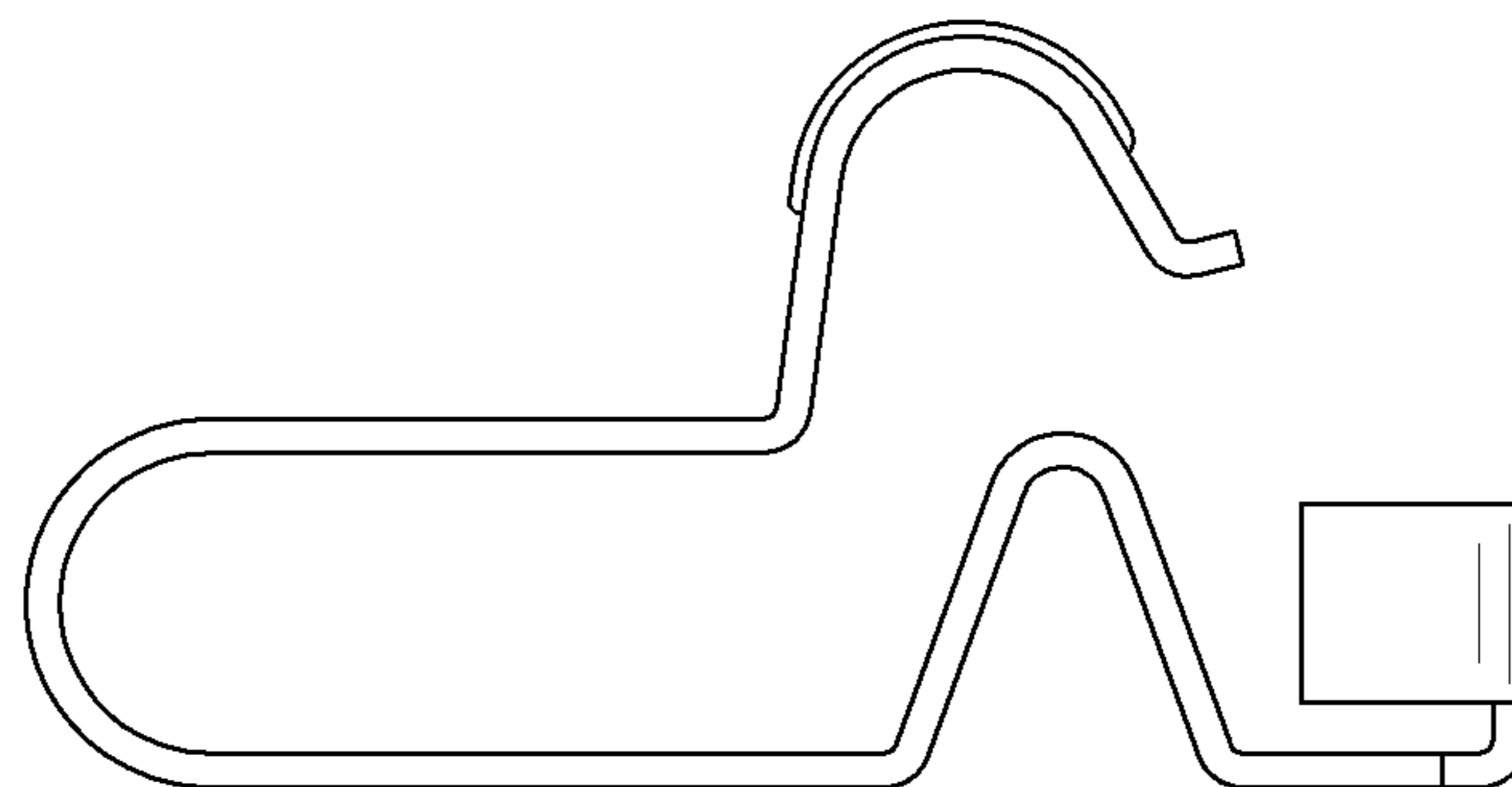


FIG.4

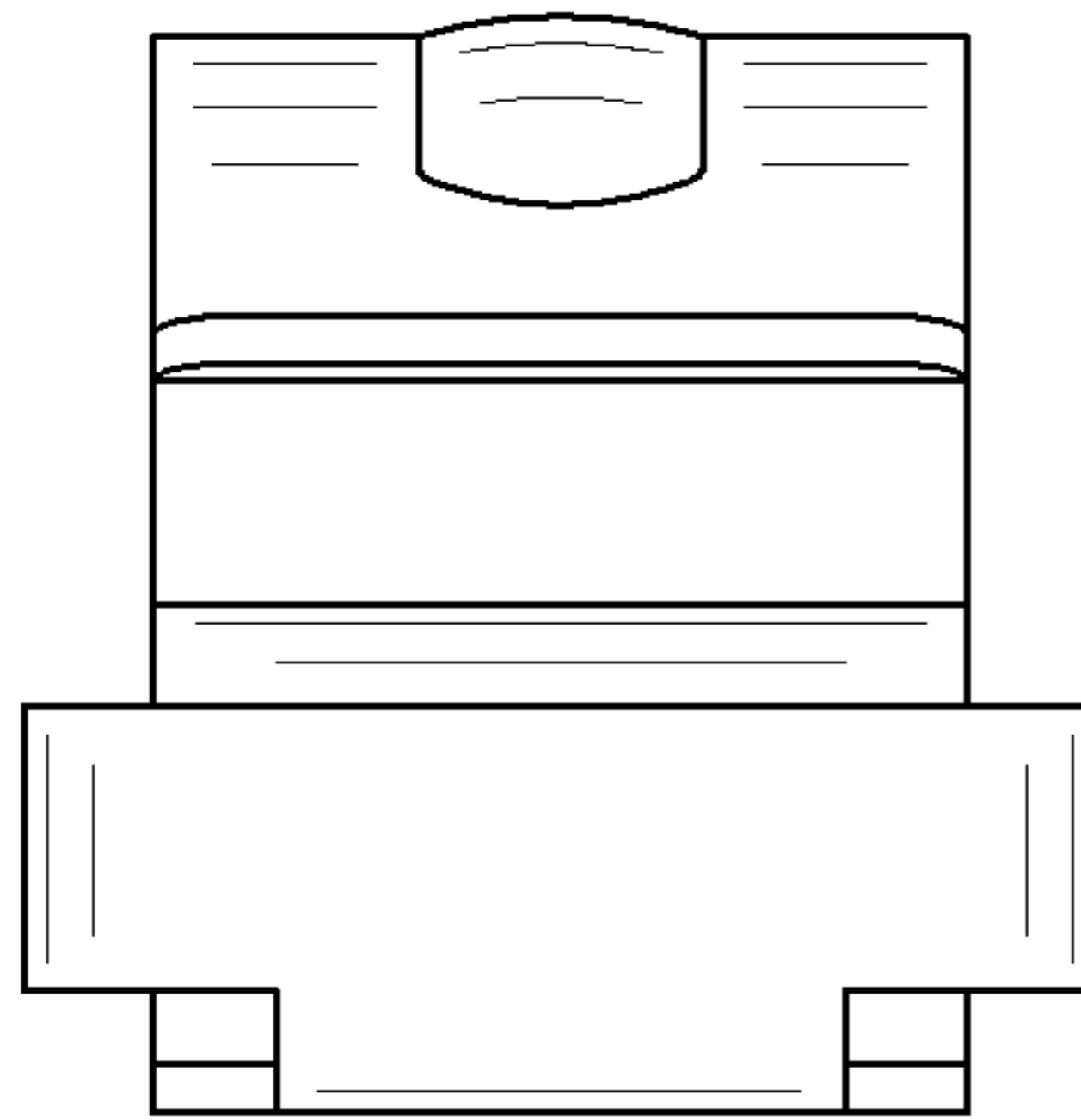


FIG.5

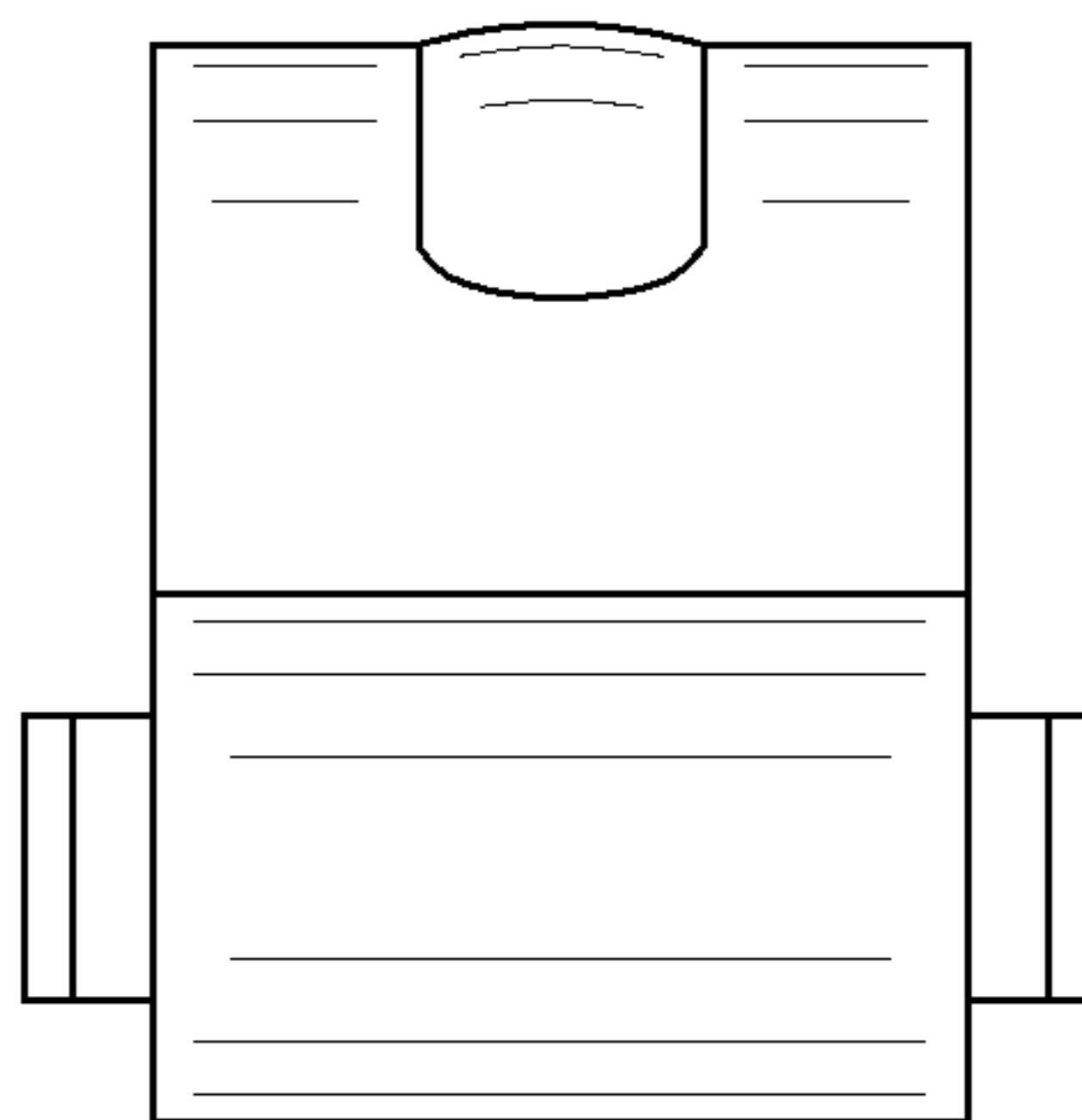


FIG.6

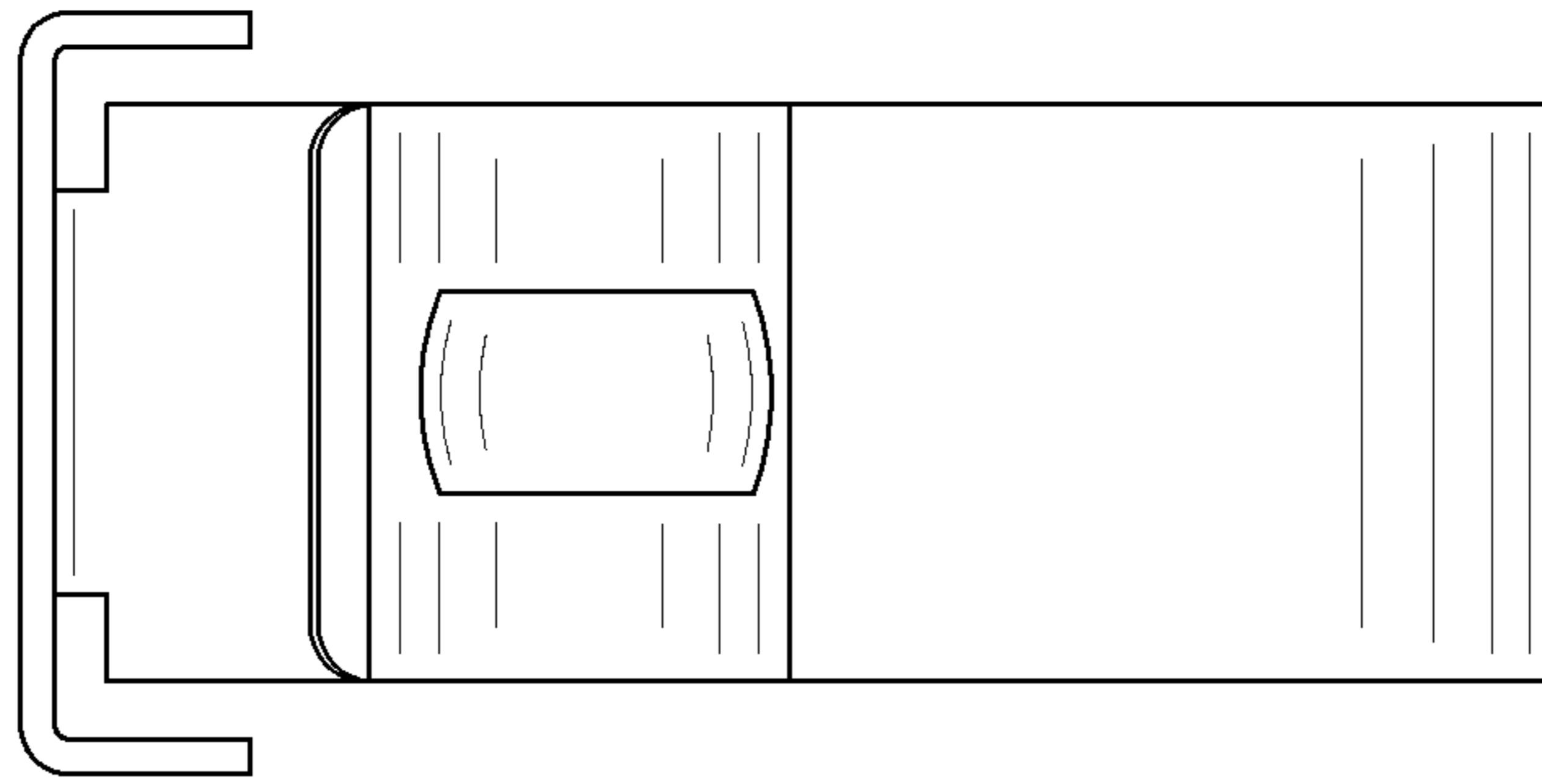


FIG.7

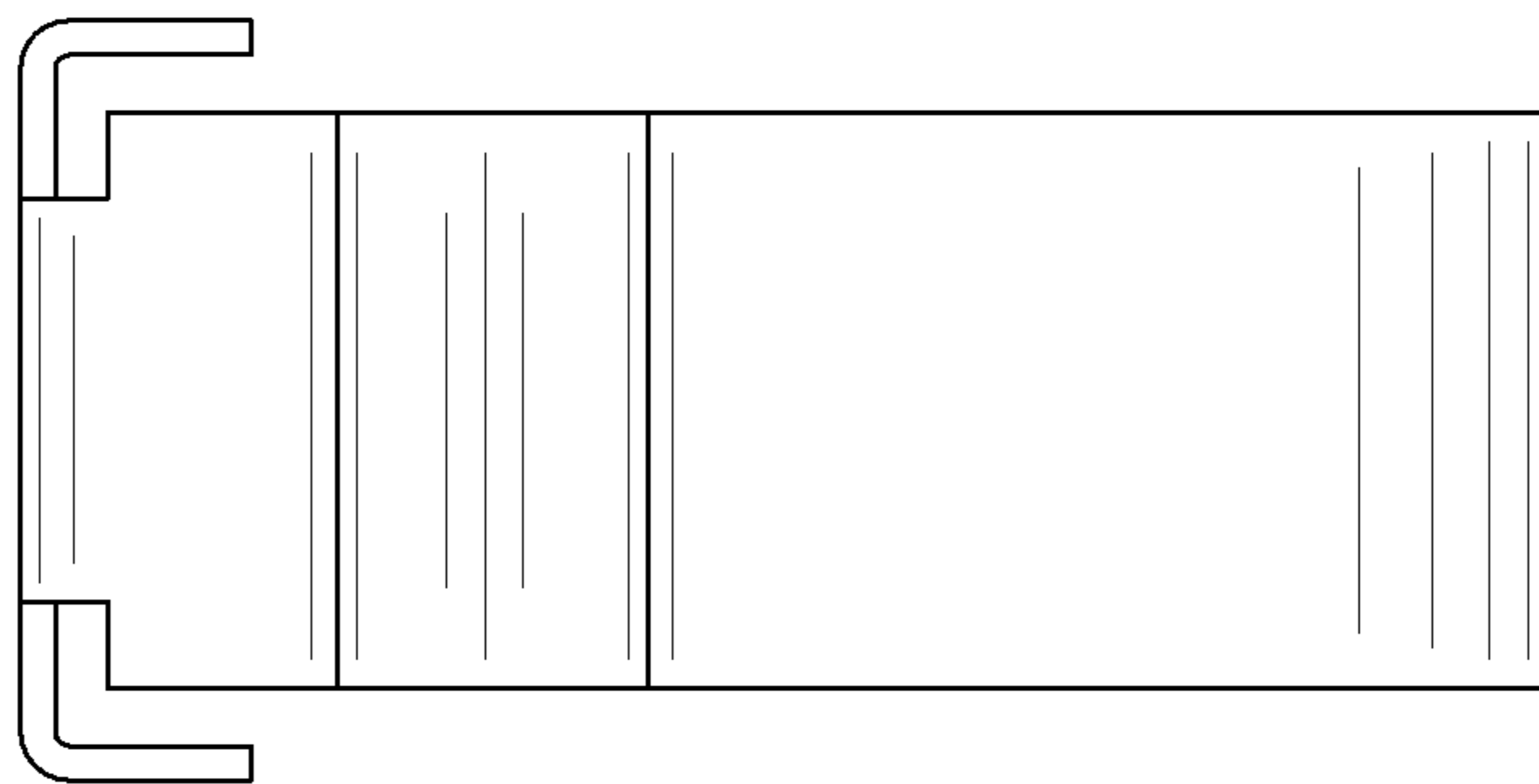


FIG.8

