



US00D722978S

(12) **United States Design Patent**  
**Hagarty**

(10) **Patent No.:** **US D722,978 S**

(45) **Date of Patent:** **\*\* Feb. 24, 2015**

(54) **JUNCTION BOX**

(71) Applicant: **RANDL Industries, Inc.**, Spokane Valley, WA (US)

(72) Inventor: **Robert J. Hagarty**, Spokane, WA (US)

(73) Assignee: **RANDL Industries, Inc.**, Spokane, WA (US)

(\*\*) Term: **14 Years**

(21) Appl. No.: **29/487,306**

(22) Filed: **Apr. 7, 2014**

(51) **LOC (10) Cl.** ..... **13-03**

(52) **U.S. Cl.**  
USPC ..... **D13/152**

(58) **Field of Classification Search**  
USPC ..... D13/152, 153, 155, 156, 137.1, 137.4,  
D13/139.3, 139.2, 133, 184; 220/3.2, 3.3,  
220/3.4-3.9, 3.92, 3.94; 174/58, 50.56, 51;  
439/675, 668, 623

See application file for complete search history.

(56) **References Cited**

**U.S. PATENT DOCUMENTS**

3,023,920	A *	3/1962	Cook et al.	.....	220/3.6
4,790,505	A	12/1988	Rose		
D342,938	S	1/1994	Cheatham		
D379,622	S	6/1997	Lynn		
6,066,803	A	5/2000	Hagarty		
6,103,972	A	8/2000	Hagarty		
6,379,166	B1	4/2002	Hagarty		
6,384,334	B1	5/2002	Webb		
D468,697	S *	1/2003	Straub, Jr.	.....	D13/152
D493,695	S	8/2004	Wengrower		
6,858,802	B2	2/2005	Hagarty		
D539,751	S *	4/2007	Kiely	.....	D13/152
D540,654	S	4/2007	Aubert Capella		
7,271,336	B2	9/2007	Dinh		

D555,108	S	11/2007	Strong		
D595,659	S *	7/2009	Maurer et al.	.....	D13/152
D601,096	S *	9/2009	Vigorito et al.	.....	D13/152
8,253,040	B2	8/2012	Hopkins		
D676,814	S *	2/2013	Paul	.....	D13/152
D677,634	S *	3/2013	Korcz et al.	.....	D13/152
D679,252	S *	4/2013	Wagner et al.	.....	D13/152
D684,935	S *	6/2013	DeCosta	.....	D13/152

(Continued)

**OTHER PUBLICATIONS**

Hagarty, R.J., "Outlet Box Adapter," U.S. Appl. No. 29/393,963, filed Jun. 10, 2011.

(Continued)

*Primary Examiner* — Ian Simmons

*Assistant Examiner* — Rhea Shields

(74) *Attorney, Agent, or Firm* — Christensen O'Connor Johnson Kindness PLLC

(57) **CLAIM**

The ornamental design for a junction box, as shown and described.

**DESCRIPTION**

FIG. 1 is a perspective view of a junction box in accordance with the present design;

FIG. 2 is a front view of the junction box shown in FIG. 1;

FIG. 3 is a rear view of the junction box shown in FIG. 1;

FIG. 4 is a plan view of the junction box shown in FIG. 1;

FIG. 5 is a bottom view of the junction box shown in FIG. 1;

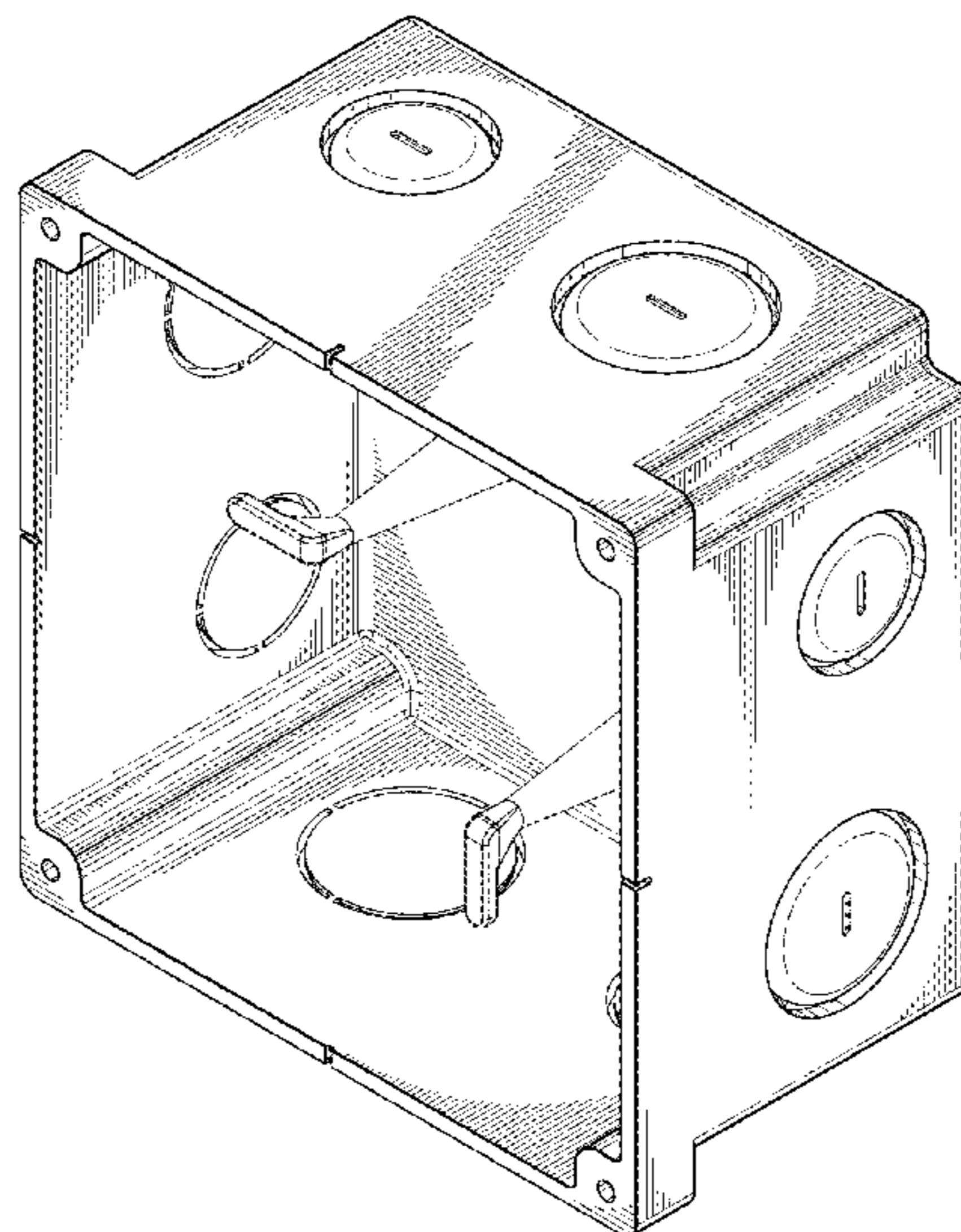
FIG. 6 is a left side view of the junction box shown in FIG. 1;

and,

FIG. 7 is a right side view of the junction box shown in FIG. 1.

In the drawings, the broken lines depict unclaimed subject matter only and form no part of the claimed design.

**1 Claim, 6 Drawing Sheets**



(56)

**References Cited**

U.S. PATENT DOCUMENTS

D698,737 S      2/2014   Hagarty  
D702,198 S \*    4/2014   Gretz ..... D13/184

OTHER PUBLICATIONS

Hagarty, R.J., "Plaster Ring," U.S. Appl. No. 29/424,576, filed Jun. 13, 2012.

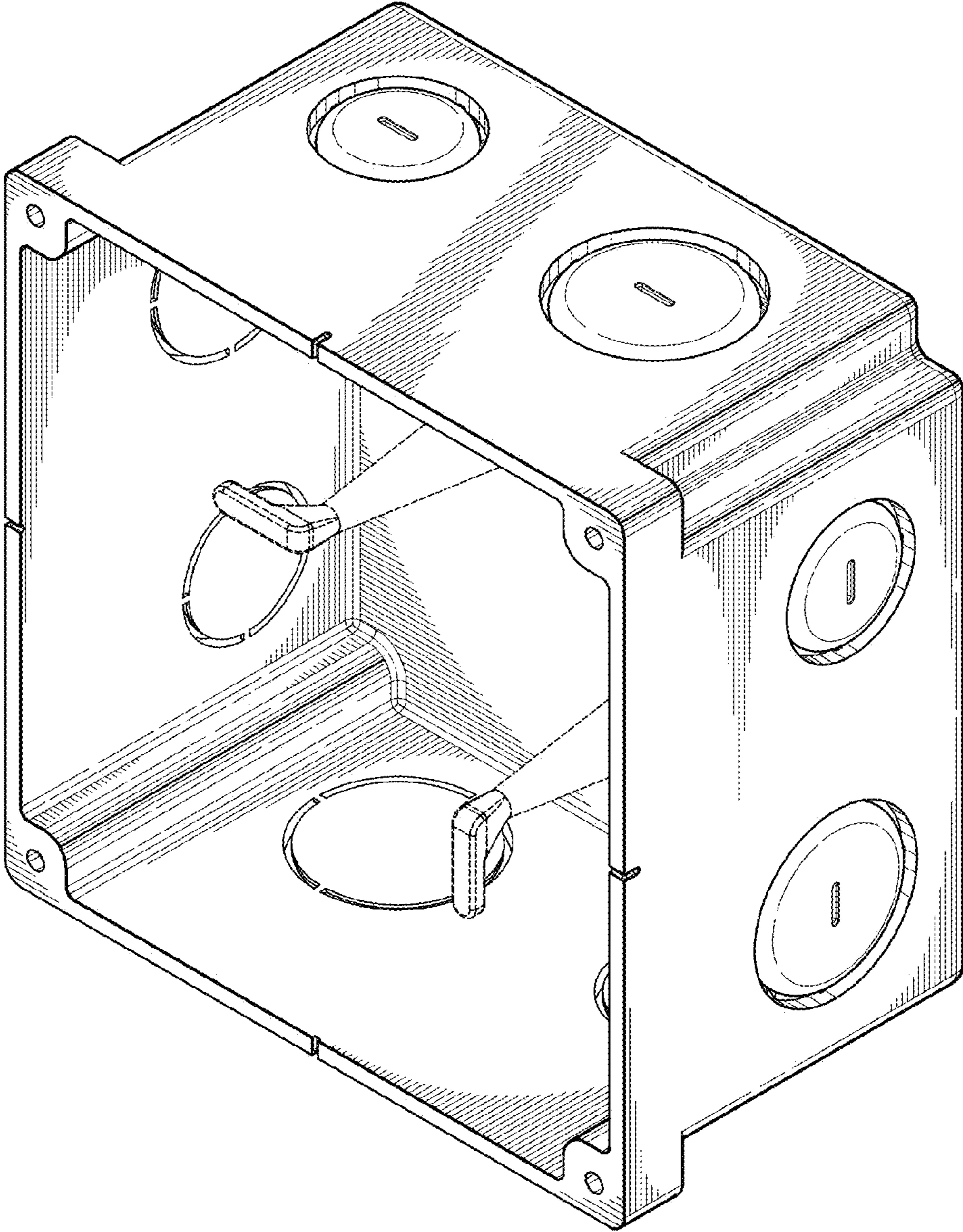
Hagarty, R.J., "Plaster Ring," U.S. Appl. No. 29/447,297, filed Mar. 1, 2013.

Hagarty, R.J., "Plaster Ring With Wide Flange," U.S. Appl. No. 29/471,962, filed Nov. 6, 2013.

Hagarty, R.J., "Plaster Ring With Off-Center Aperture," U.S. Appl. No. 29/471,963, filed Nov. 6, 2013.

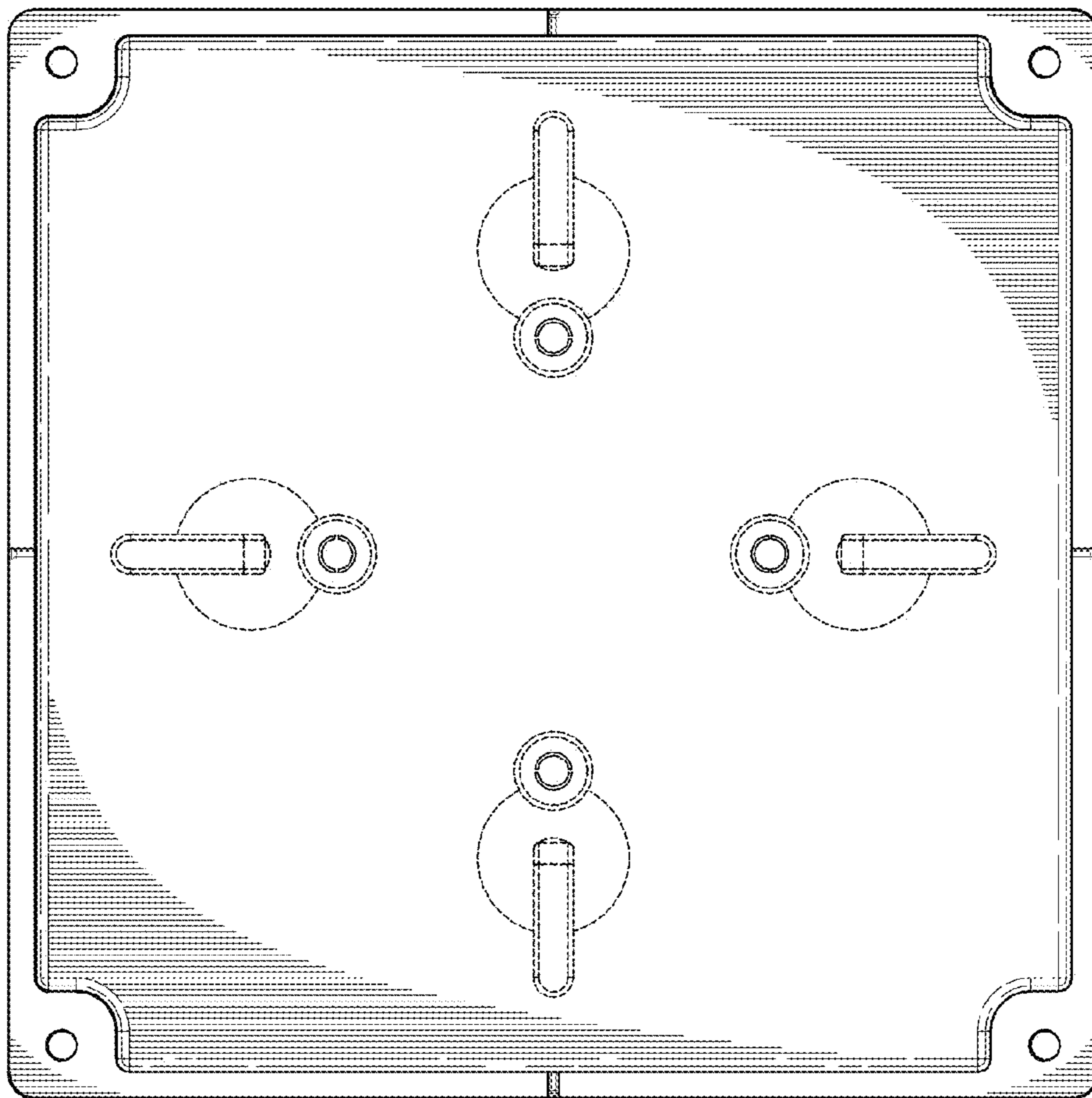
Hagarty, R.J., "Junction Box With Cable Management," U.S. Appl. No. 29/486,897, filed Apr. 3, 2014.

\* cited by examiner

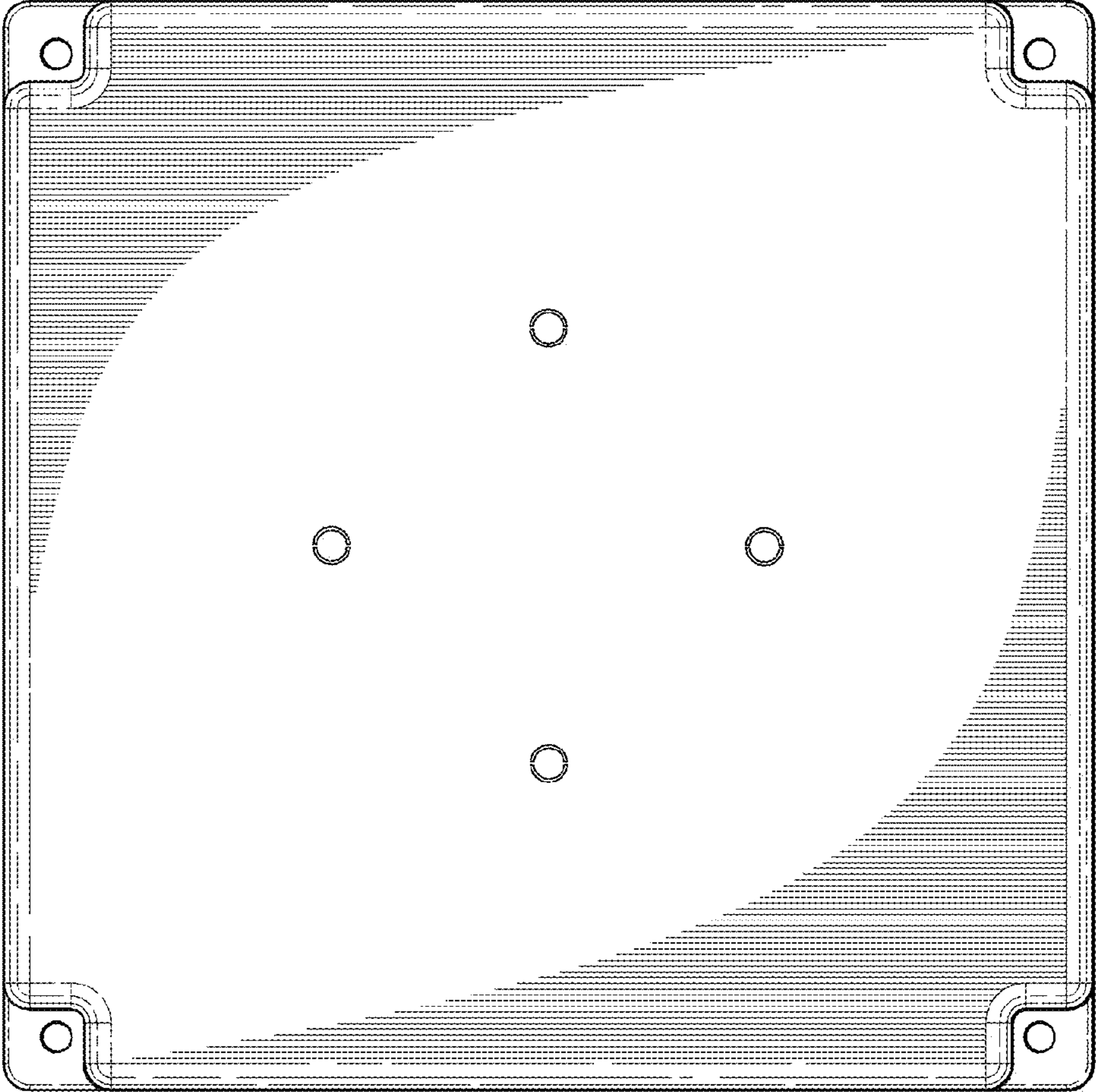


*Fig. 1.*

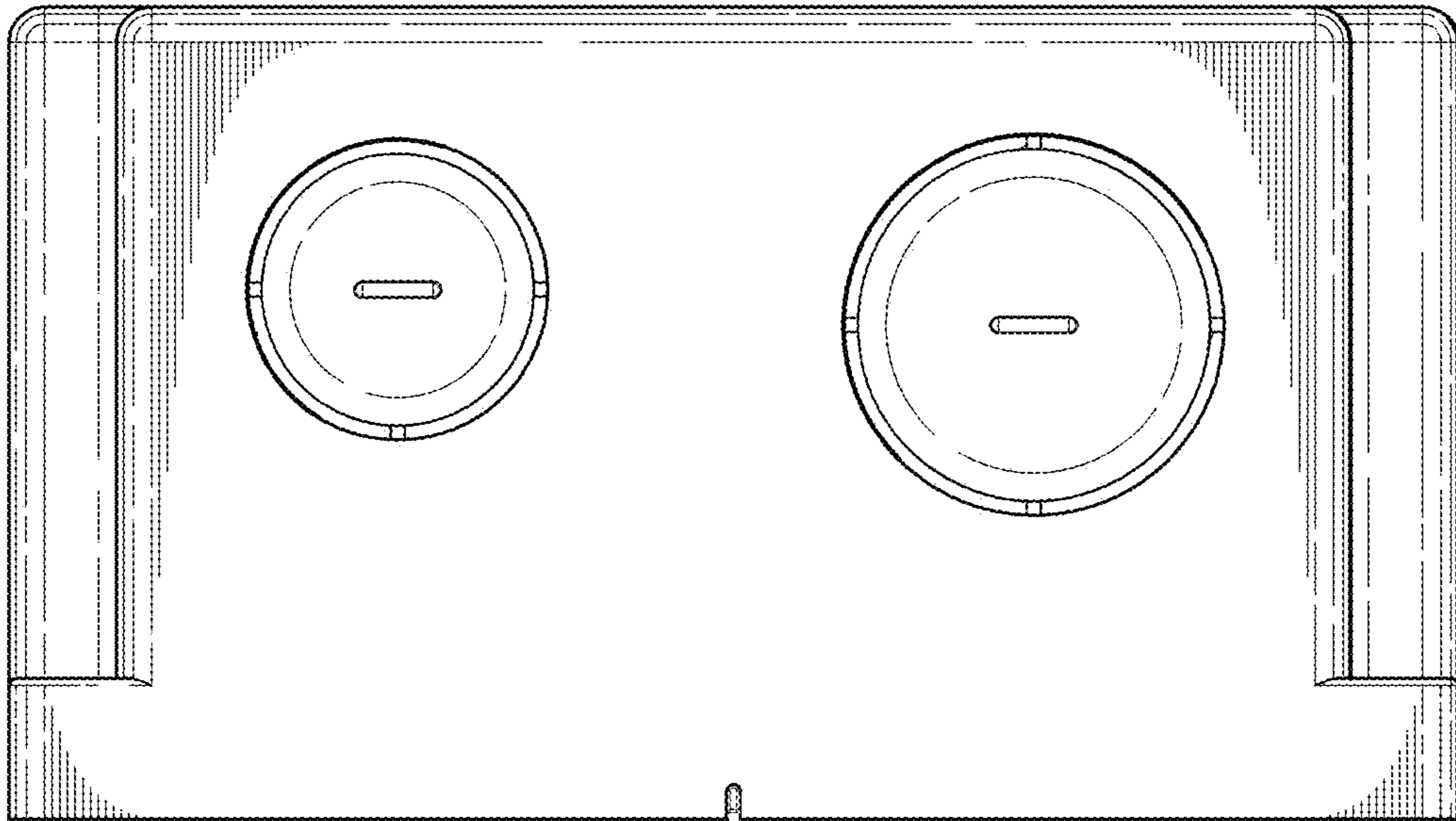




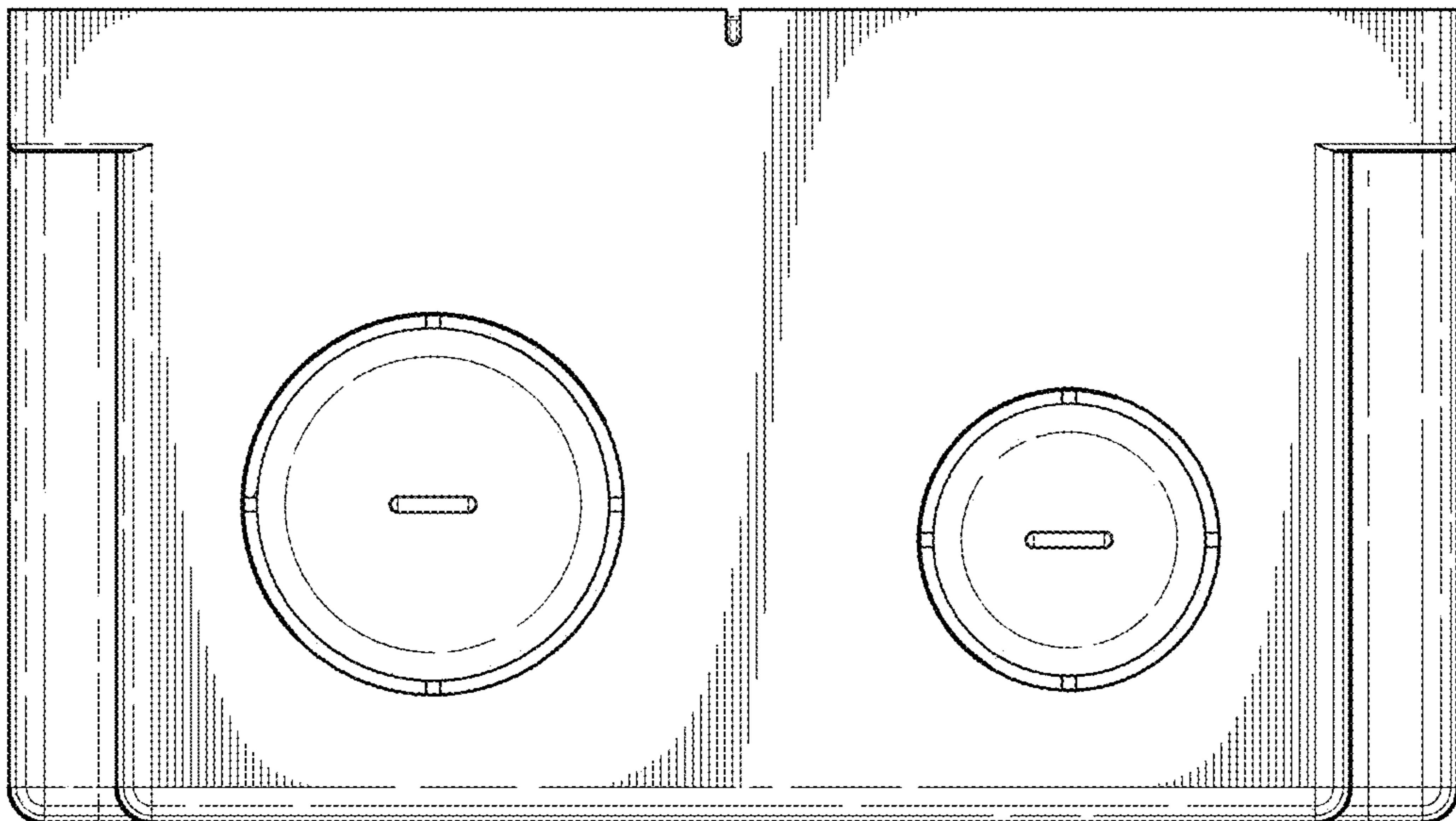
*Fig. 2.*



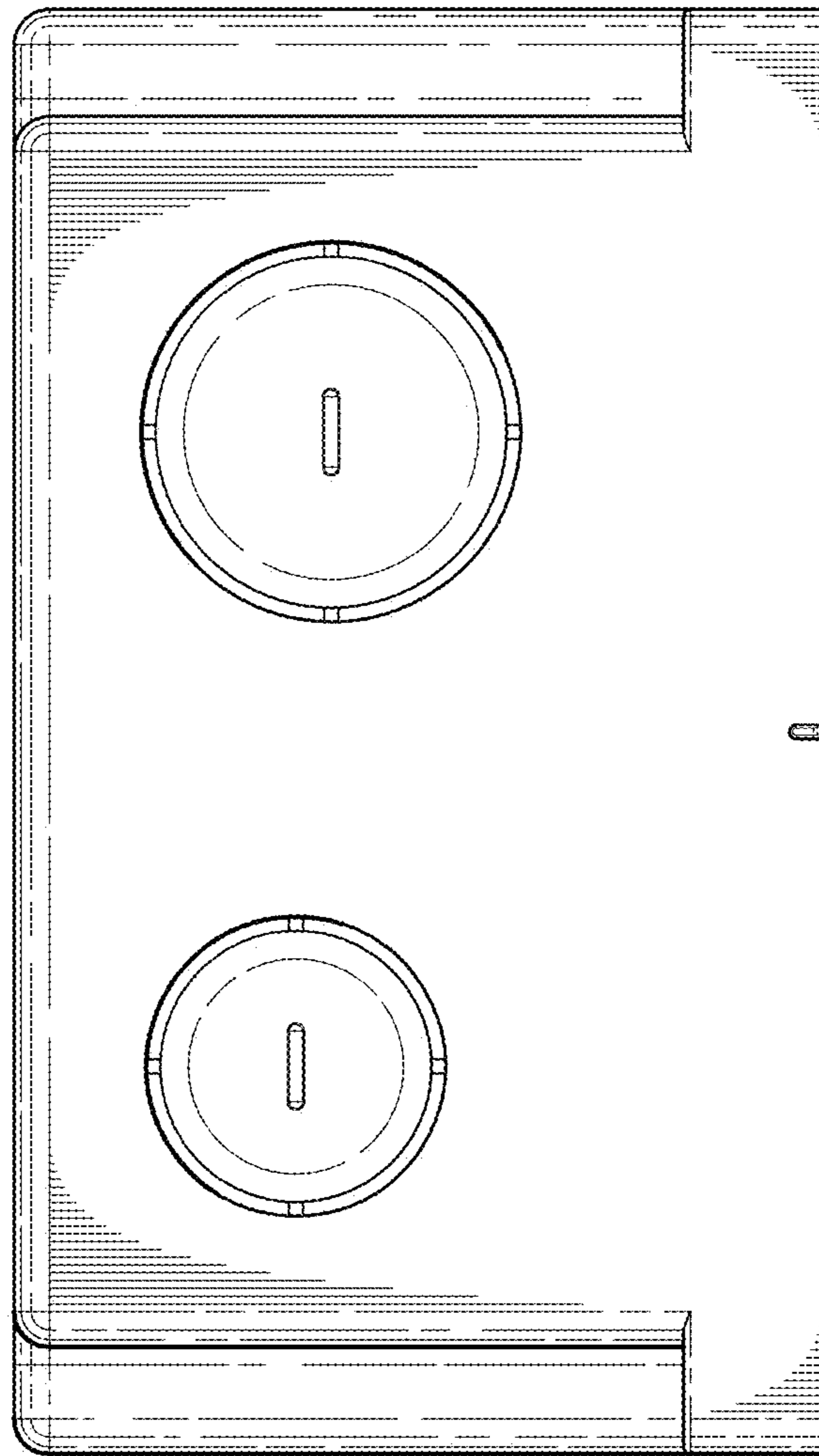
*Fig. 3.*



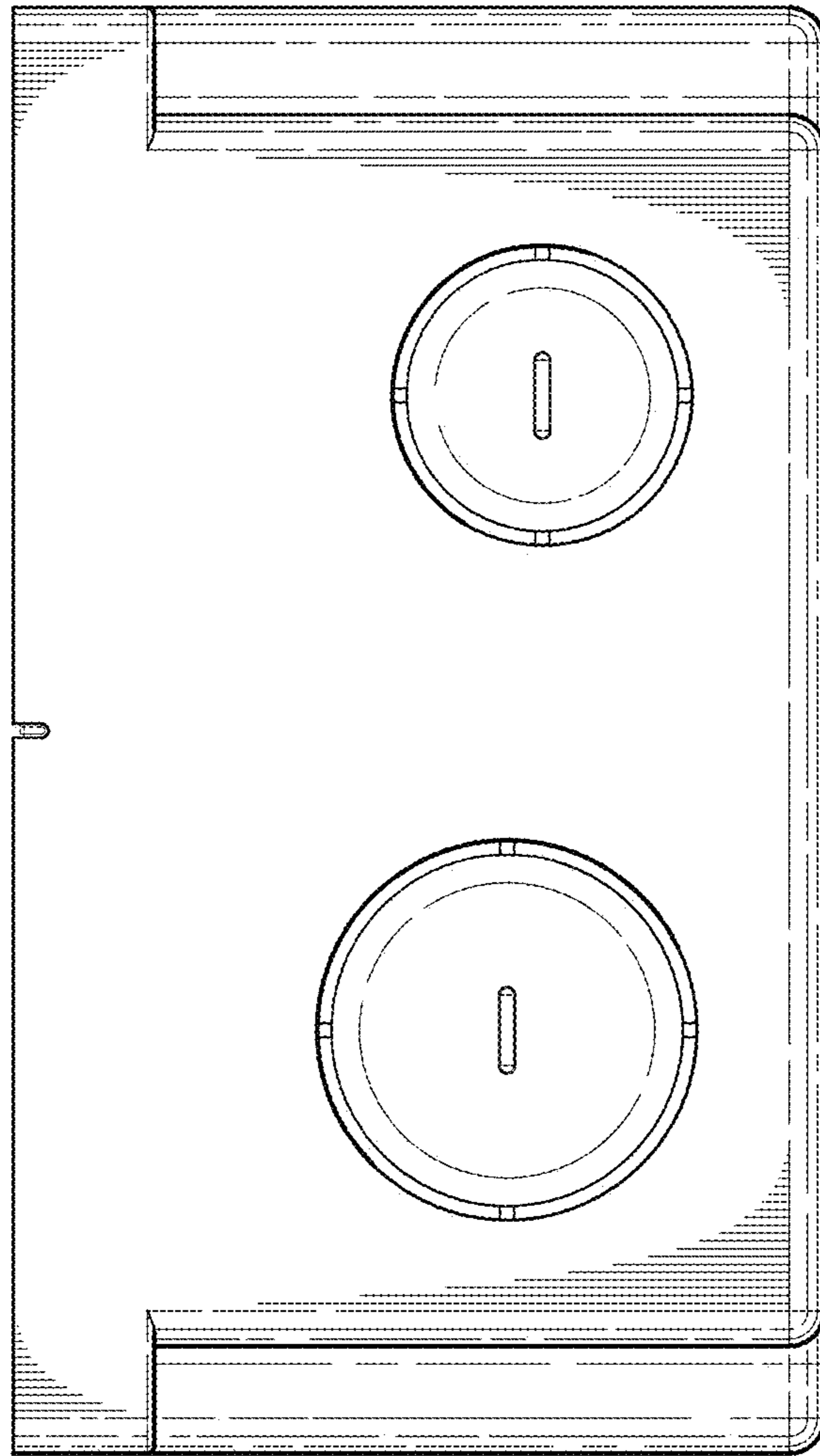
*Fig. 4.*



*Fig. 5.*



*Fig. 6.*



*Fig. 7.*