



US00D722977S

(12) **United States Design Patent**
Hagarty

(10) **Patent No.:** **US D722,977 S**
(45) **Date of Patent:** **** Feb. 24, 2015**

- (54) **JUNCTION BOX WITH CABLE MANAGEMENT**
- (71) Applicant: **RANDL Industries, Inc.**, Spokane Valley, WA (US)
- (72) Inventor: **Robert J. Hagarty**, Spokane, WA (US)
- (73) Assignee: **RANDL Industries, Inc.**, Spokane, WA (US)
- (**) Term: **14 Years**
- (21) Appl. No.: **29/486,897**
- (22) Filed: **Apr. 3, 2014**
- (51) **LOC (10) Cl.** **13-03**
- (52) **U.S. Cl.**
USPC **D13/152**
- (58) **Field of Classification Search**
USPC D13/152, 153, 155, 156, 137.1, 137.4, D13/139.3, 139.2, 133, 184; 220/3.2, 3.3, 220/3.4-3.9, 3.92, 3.94; 174/58, 50.56, 51; 439/675, 668, 623
See application file for complete search history.

- D595,659 S * 7/2009 Maurer et al. D13/152
- D601,096 S * 9/2009 Vigorito et al. D13/152
- 8,253,040 B2 8/2012 Hopkins
- D676,814 S * 2/2013 Paul D13/152
- D677,634 S * 3/2013 Korcz et al. D13/152
- D679,252 S * 4/2013 Wagner et al. D13/152
- D684,935 S * 6/2013 DeCosta D13/152

(Continued)

OTHER PUBLICATIONS

Hagarty, R.J., "Outlet Box Adapter," U.S. Appl. No. 29/393,963, filed Jun. 10, 2011.

(Continued)

Primary Examiner — Ian Simmons
Assistant Examiner — Rhea Shields

(74) *Attorney, Agent, or Firm* — Christensen O'Connor Johnson Kindness PLLC

(57) **CLAIM**

The ornamental design for a junction box with cable management, as shown and described.

DESCRIPTION

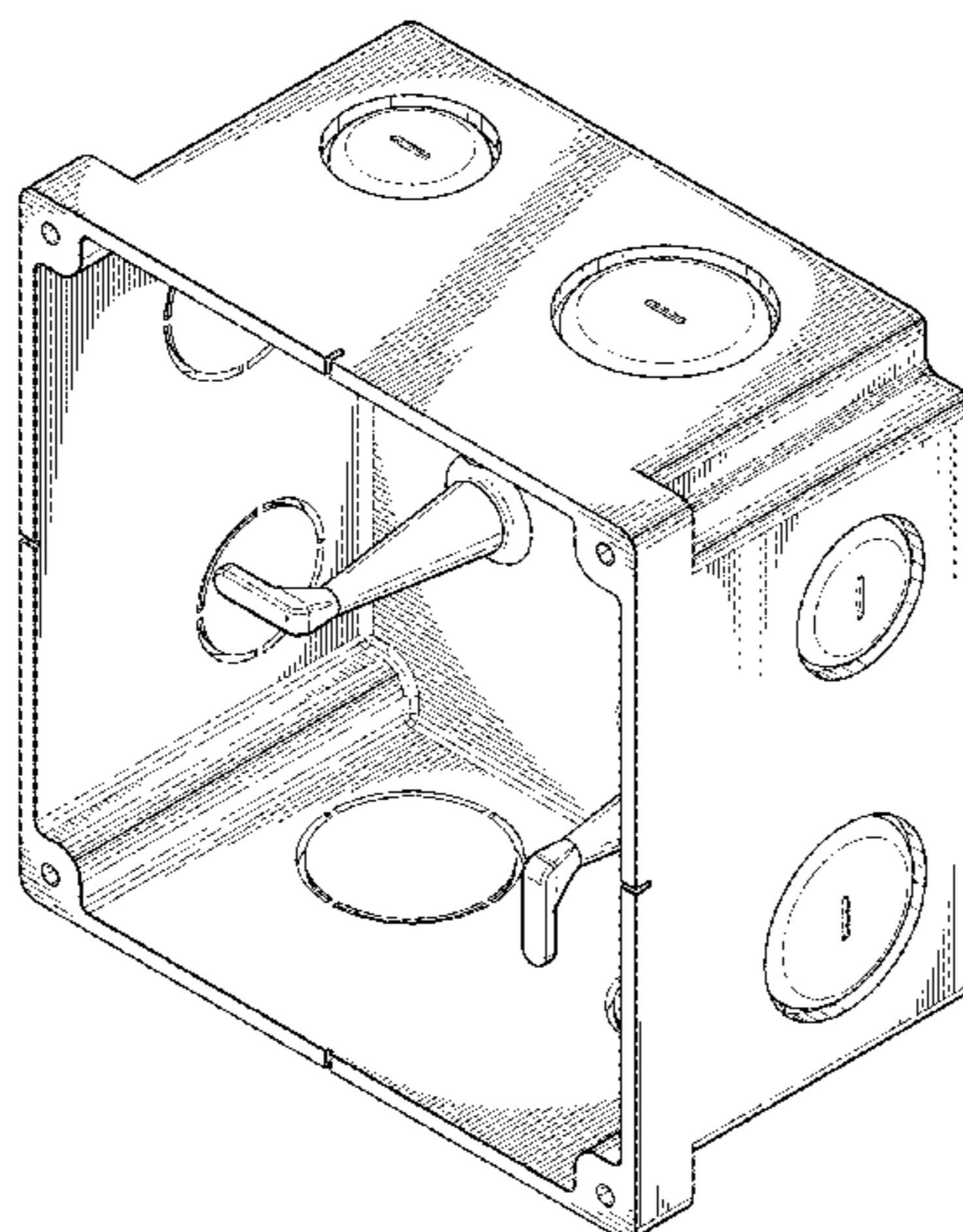
FIG. 1 is a perspective view of a junction box with cable management in accordance with the present design;
 FIG. 2 is a front view of the junction box with cable management shown in FIG. 1;
 FIG. 3 is a rear view of the junction box with cable management shown in FIG. 1;
 FIG. 4 is a plan view of the junction box with cable management shown in FIG. 1;
 FIG. 5 is a bottom view of the junction box with cable management shown in FIG. 1;
 FIG. 6 is a left side view of the junction box with cable management shown in FIG. 1; and,
 FIG. 7 is a right side view of the junction box with cable management shown in FIG. 1.
 In the drawings, the broken lines depict unclaimed subject matter only and form no part of the claimed design.

1 Claim, 6 Drawing Sheets

(56) **References Cited**

U.S. PATENT DOCUMENTS

- 3,023,920 A * 3/1962 Cook et al. 220/3.6
- 4,790,505 A 12/1988 Rose
- D342,938 S 1/1994 Cheatham
- D379,622 S 6/1997 Lynn
- 6,066,803 A 5/2000 Hagarty
- 6,103,972 A 8/2000 Hagarty
- 6,379,166 B1 4/2002 Hagarty
- 6,384,334 B1 5/2002 Webb
- D468,697 S * 1/2003 Straub, Jr. D13/152
- D493,695 S 8/2004 Wengrower
- 6,858,802 B2 2/2005 Hagarty
- D539,751 S * 4/2007 Kiely D13/152
- D540,654 S 4/2007 Aubert Capella
- 7,271,336 B2 9/2007 Dinh
- D555,108 S 11/2007 Strong



(56)

References Cited

U.S. PATENT DOCUMENTS

D698,737 S 2/2014 Hagarty
D702,198 S * 4/2014 Gretz D13/184

OTHER PUBLICATIONS

Hagarty, R.J., "Plaster Ring," U.S. Appl. No. 29/424,576, filed Jun. 13, 2012.

Hagarty, R.J., "Plaster Ring," U.S. Appl. No. 29/447,297, filed Mar. 1, 2013.

Hagarty, R.J., "Plaster Ring With Wide Flange," U.S. Appl. No. 29/471,962, filed Nov. 6, 2013.

Hagarty, R.J., "Plaster Ring With Off-Center Aperture," U.S. Appl. No. 29/471,963, filed Nov. 6, 2013.

* cited by examiner

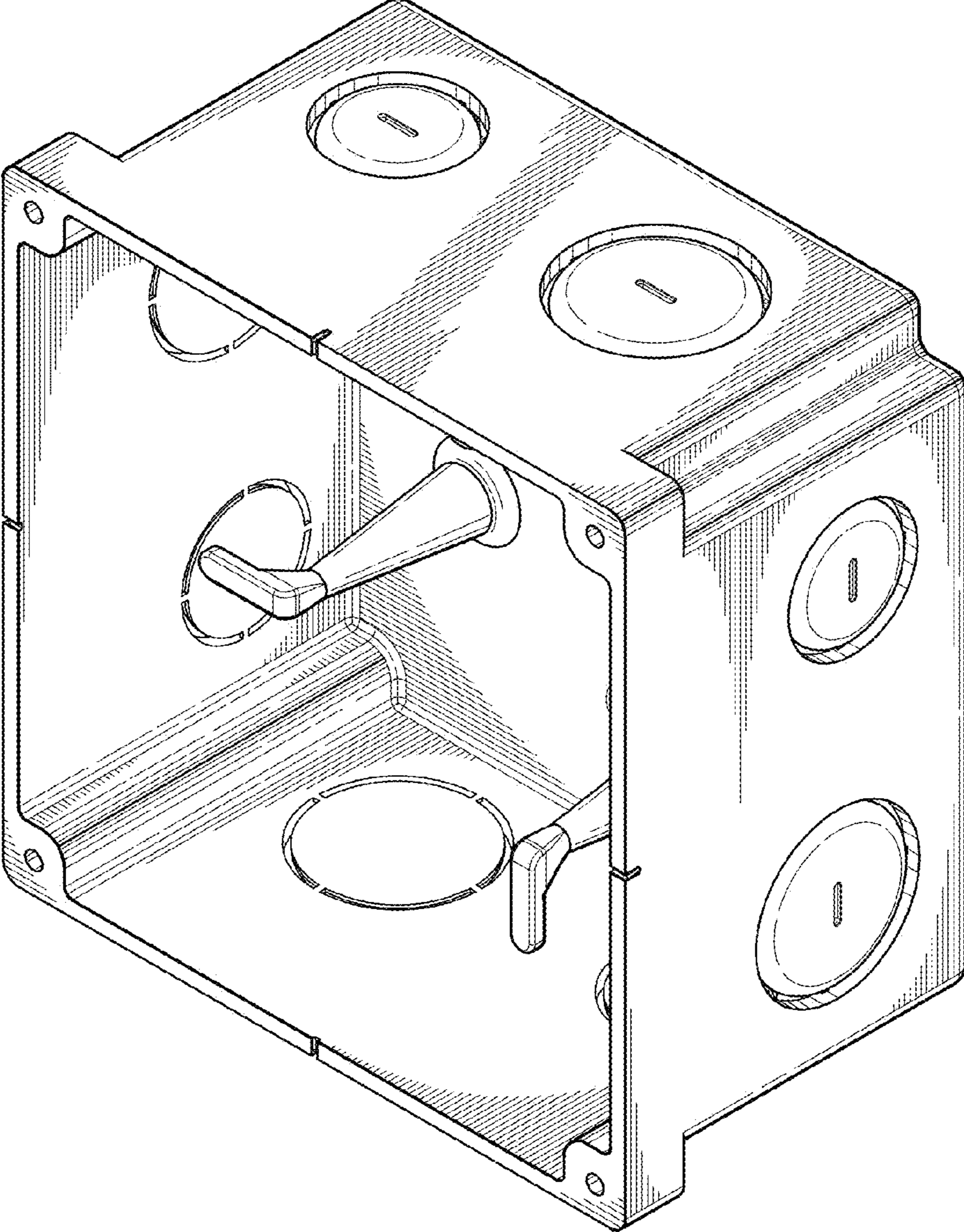


Fig. 1.

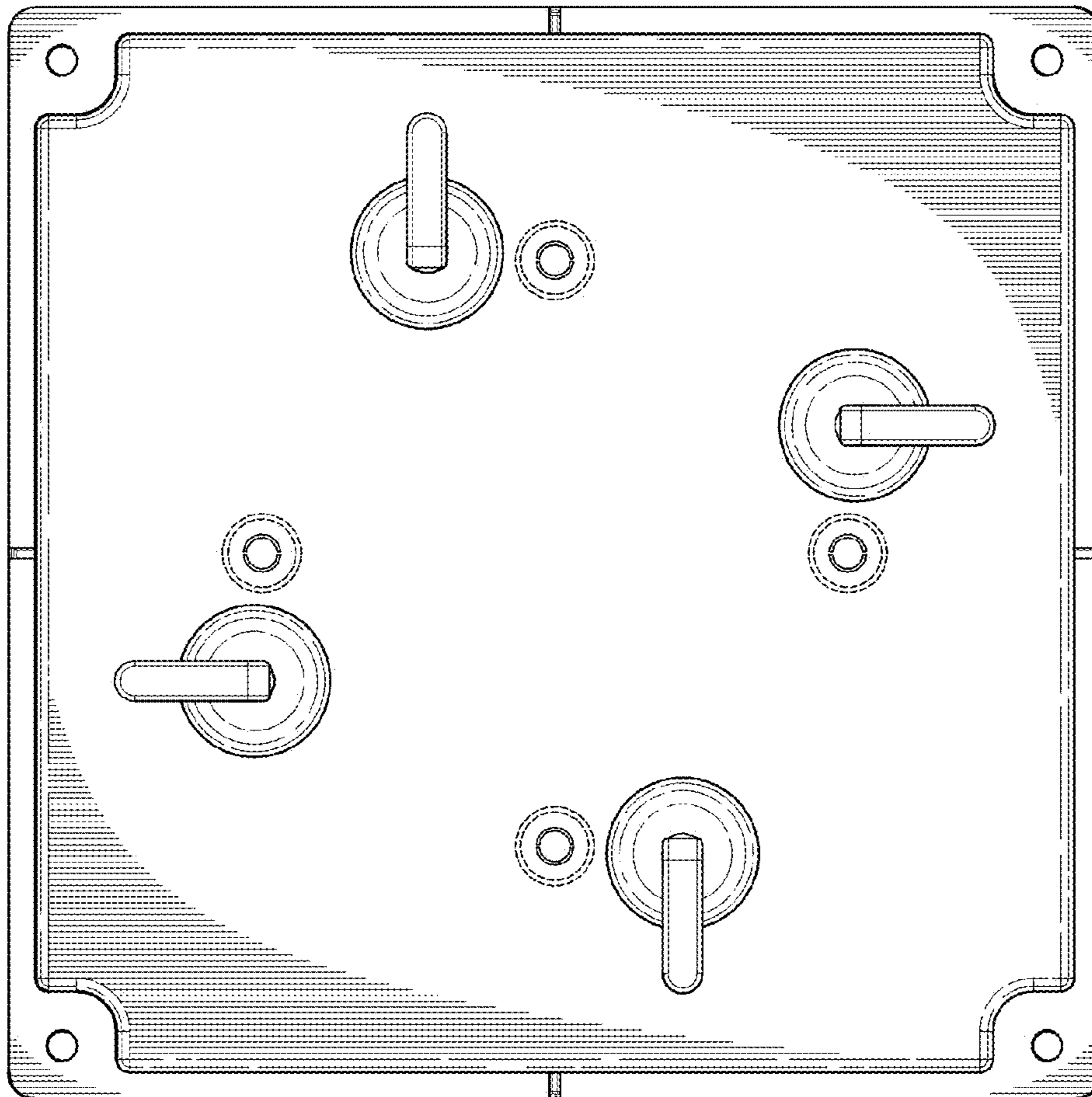


Fig. 2.

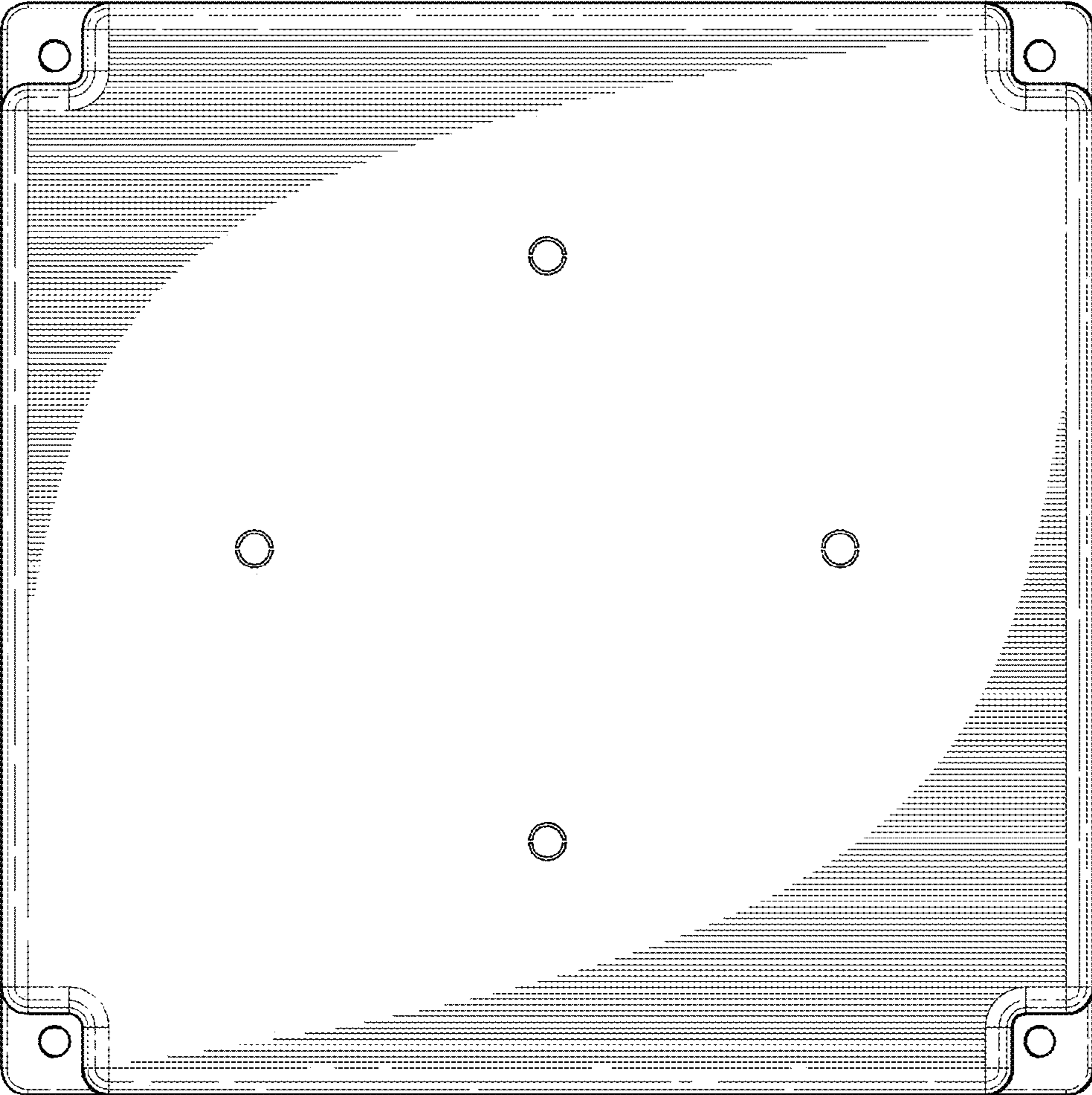


Fig. 3.

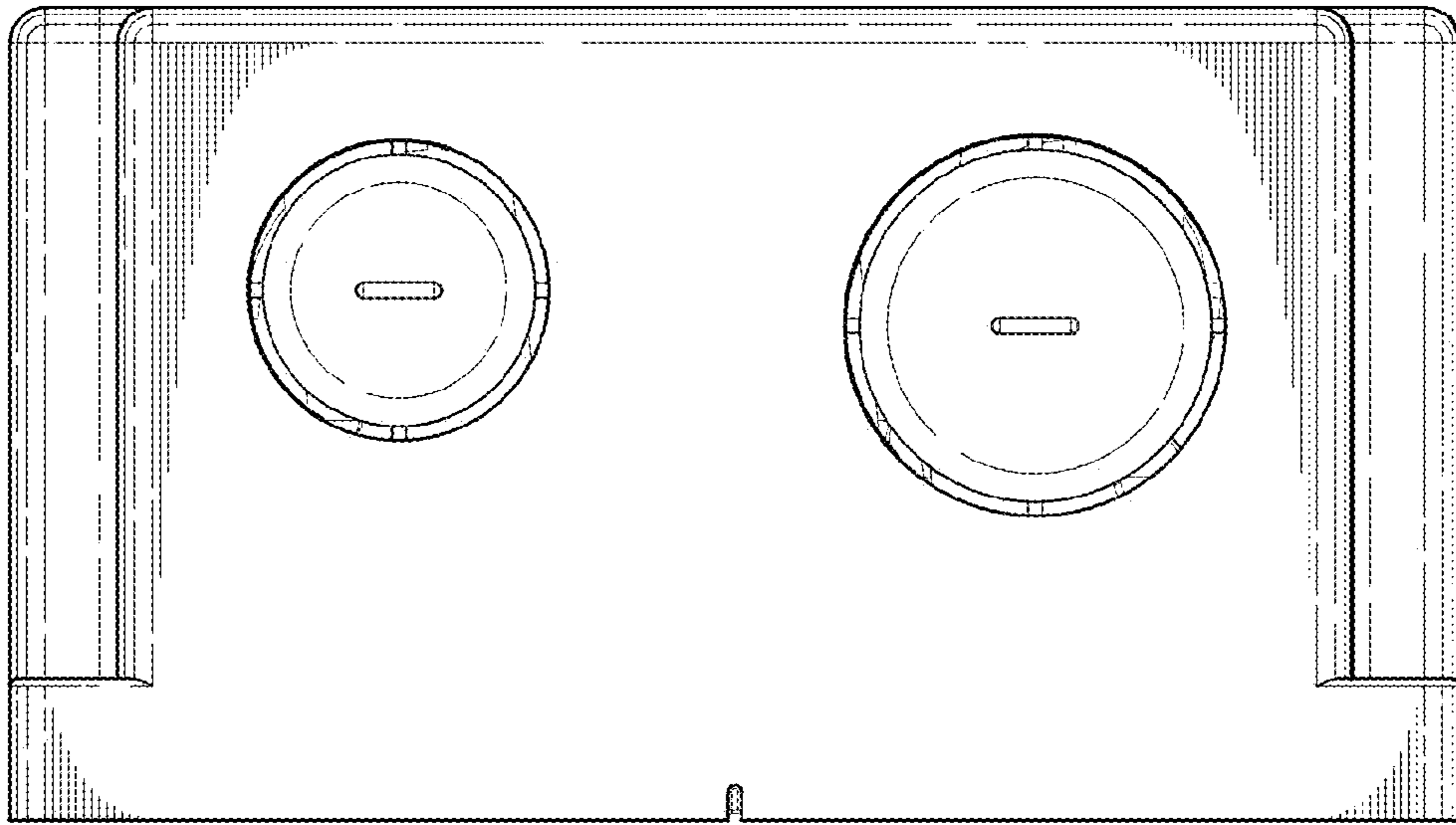


Fig. 4.

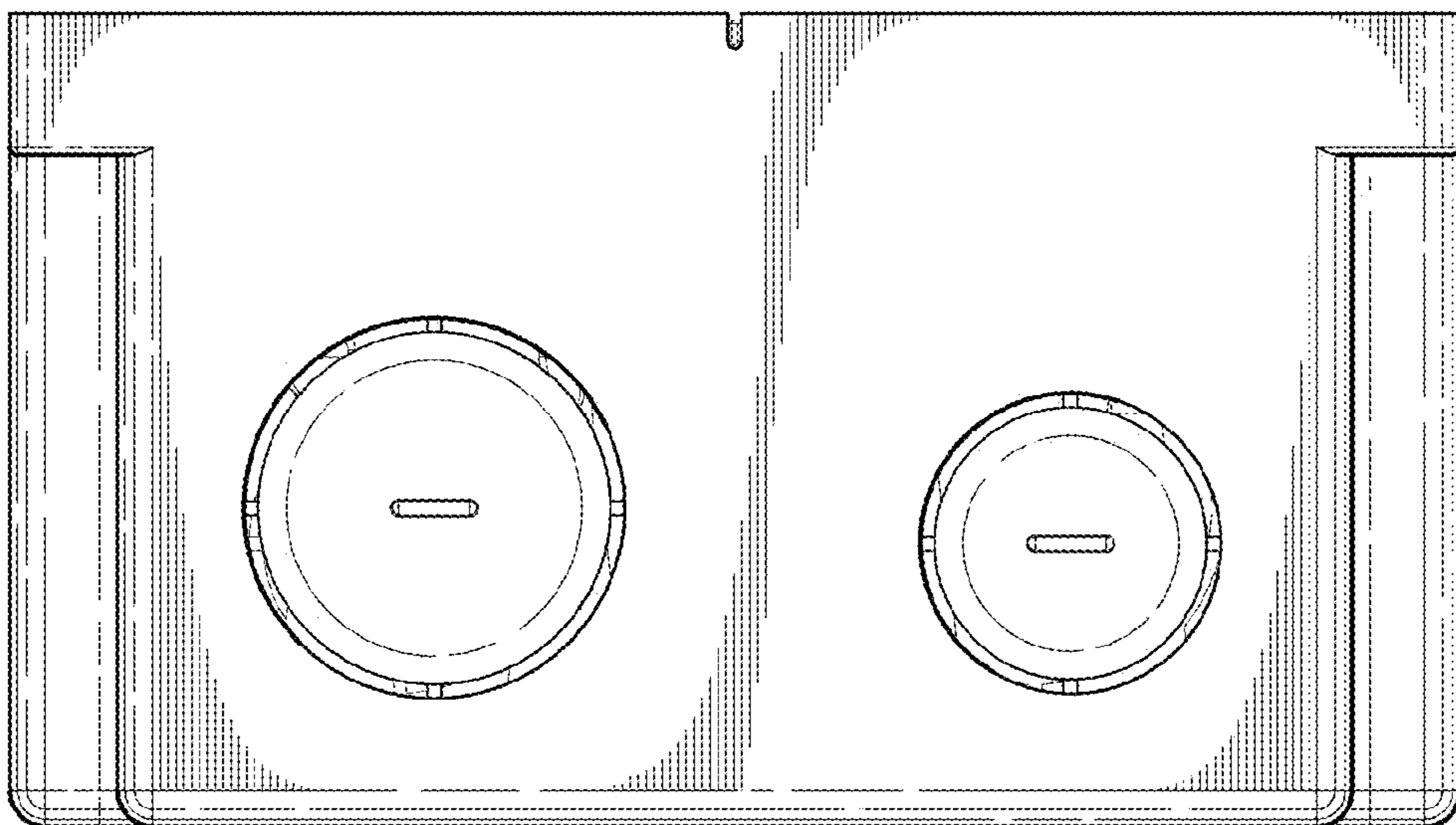


Fig. 5.

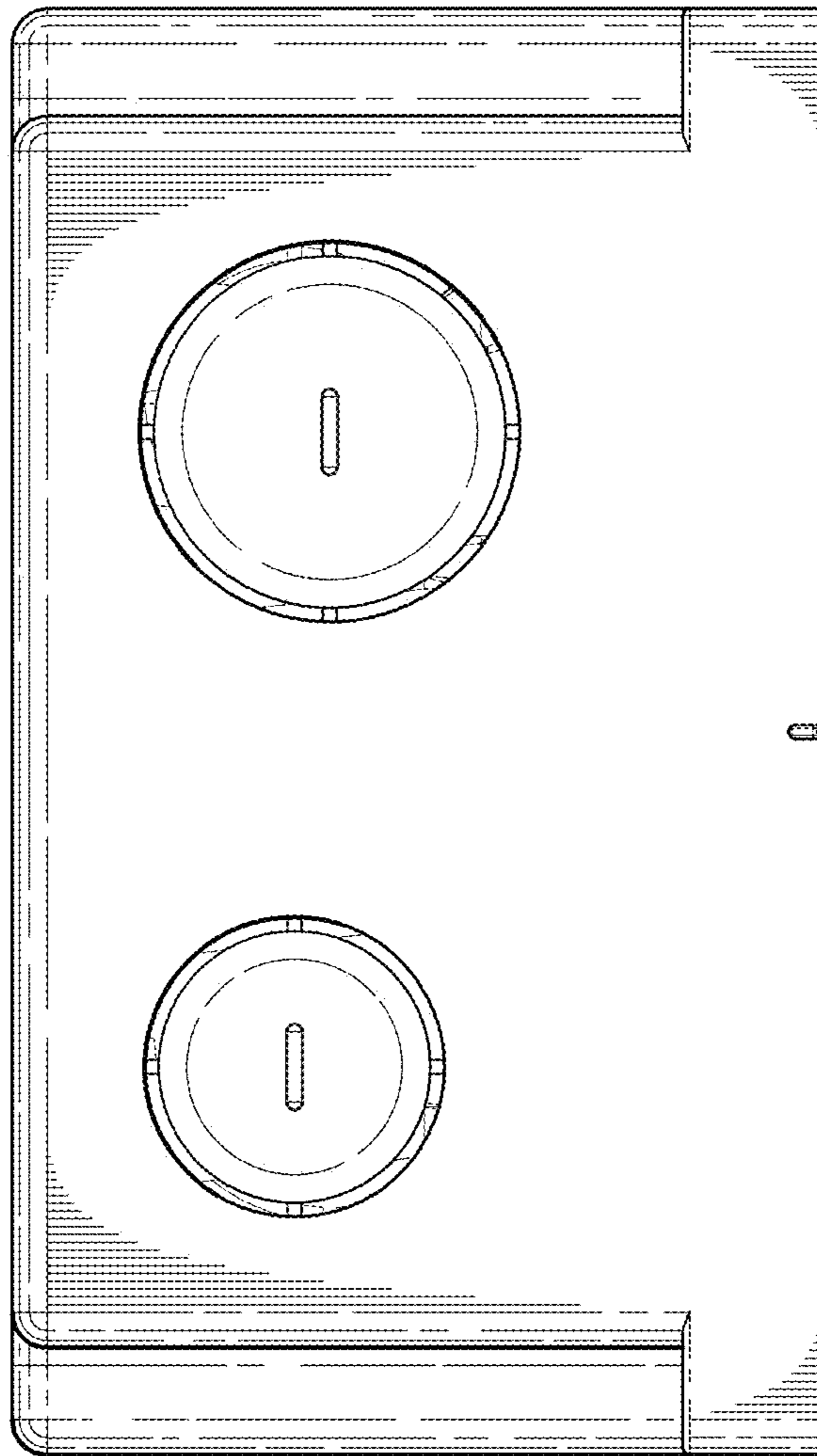


Fig. 6.

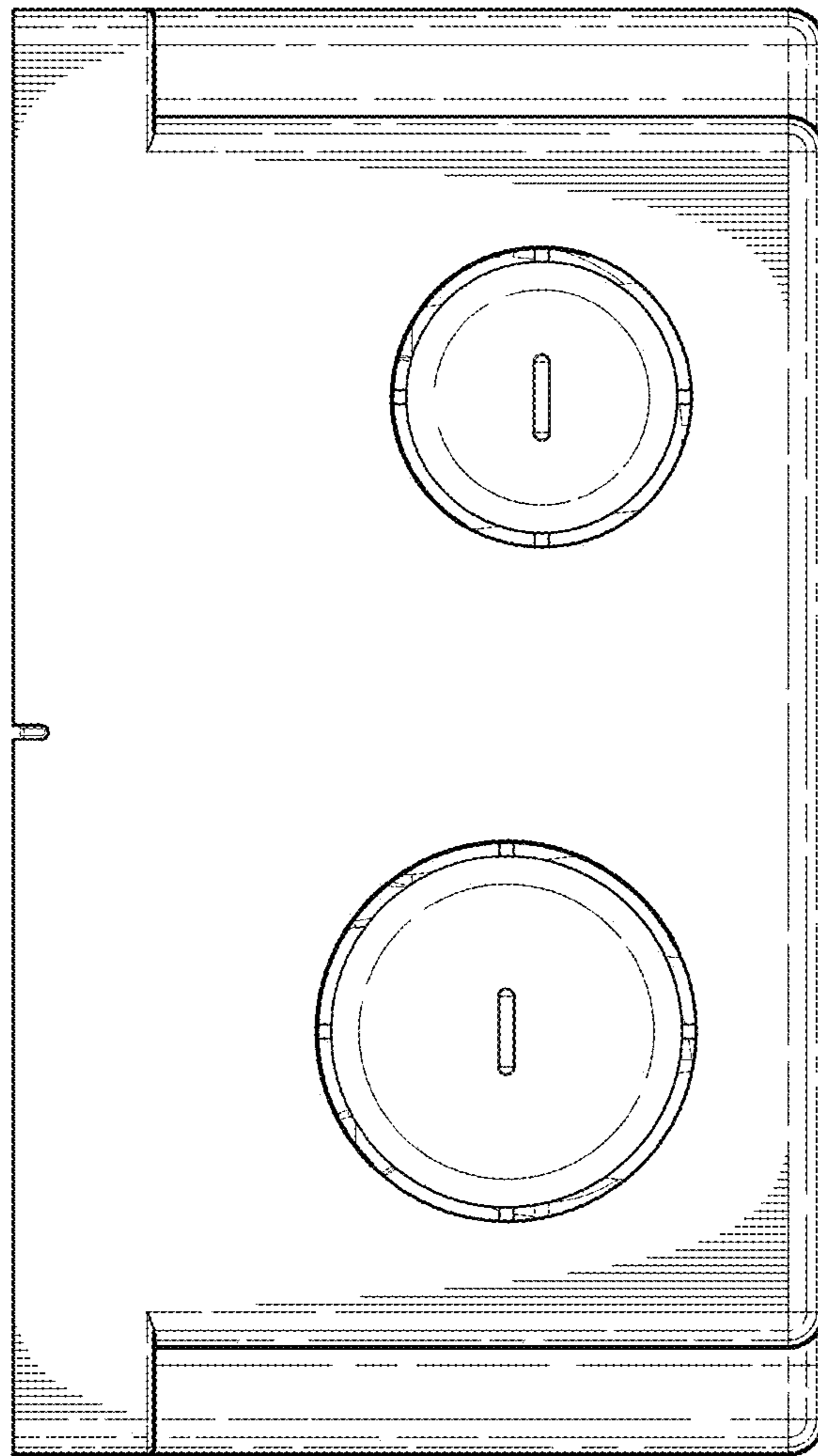


Fig. 7.