



US00D722976S

(12) **United States Design Patent**
Okado

(10) **Patent No.:** **US D722,976 S**
(45) **Date of Patent:** **** Feb. 24, 2015**

(54) **JUNCTION BOX FOR MOTOR GENERATOR**

(71) Applicant: **Honda Motor Co., Ltd.**, Tokyo (JP)

(72) Inventor: **Michito Okado**, Saitama (JP)

(73) Assignee: **Honda Motor Co., Ltd.**, Tokyo (JP)

(**) Term: **14 Years**

(21) Appl. No.: **29/468,152**

(22) Filed: **Sep. 26, 2013**

(30) **Foreign Application Priority Data**

Mar. 28, 2013 (JP) 2013-007021

(51) **LOC (10) Cl.** **13-03**

(52) **U.S. Cl.**
USPC **D13/152**

(58) **Field of Classification Search**
USPC D13/152, 156, 154, 139.1–139.8, 162,
D13/164, 118, 122; 439/535, 536; 220/4.02;
174/54, 55, 58

See application file for complete search history.

(56) **References Cited**

U.S. PATENT DOCUMENTS

D312,244 S * 11/1990 Collins et al. D13/152
D379,970 S * 6/1997 Chambers et al. D13/156
D411,826 S * 7/1999 Lamar et al. D13/139.6
D531,961 S * 11/2006 Greenfield D13/156
D563,895 S * 3/2008 Stuckmann et al. D13/152

D636,343 S * 4/2011 Leal et al. D13/152
D641,707 S * 7/2011 Czarnecki et al. D13/152
D648,282 S * 11/2011 Czarnecki et al. D13/152
D657,748 S * 4/2012 Hargreaves et al. D13/156
D660,252 S * 5/2012 Hargreaves et al. D13/156
D662,896 S * 7/2012 Czarnecki D13/156

* cited by examiner

Primary Examiner — Ian Simmons

Assistant Examiner — Rhea Shields

(74) *Attorney, Agent, or Firm* — Westerman, Hattori,
Daniels & Adrian, LLP

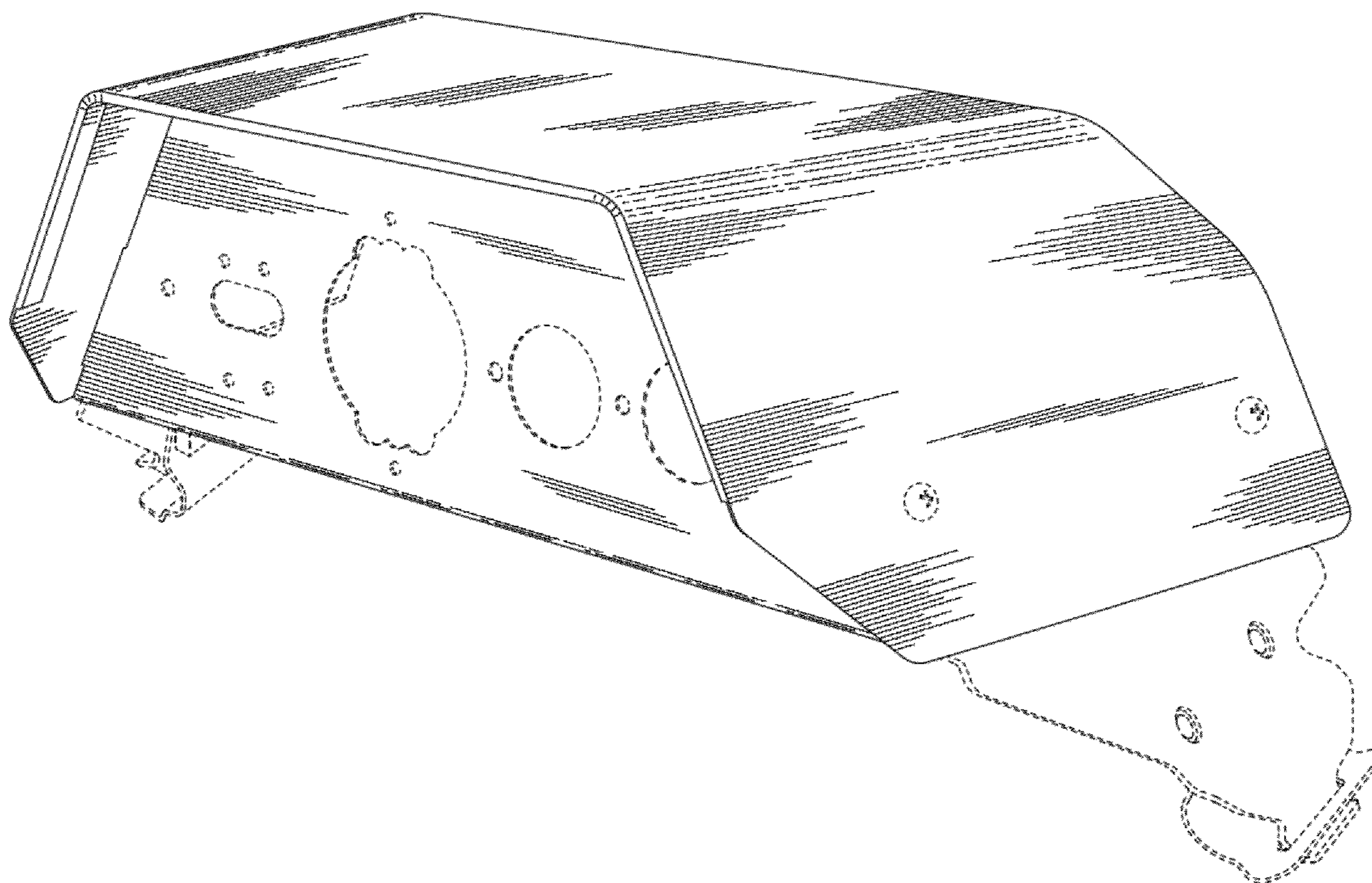
(57) **CLAIM**

The ornamental design for a junction box for motor generator,
as shown and described.

DESCRIPTION

FIG. 1 is a right front perspective view of a junction box for motor generator, showing my new design;
FIG. 2 is a left front perspective view thereof;
FIG. 3 is a right rear perspective view thereof;
FIG. 4 is a left rear perspective view thereof;
FIG. 5 is a front elevational view thereof;
FIG. 6 is a rear elevational view thereof;
FIG. 7 is a top plan view thereof;
FIG. 8 is a bottom plan view thereof;
FIG. 9 is a left side elevational view thereof; and,
FIG. 10 is a right side elevational view thereof.
The broken lines show portions of the junction box for motor generator, and form no part of the claimed design.

1 Claim, 10 Drawing Sheets



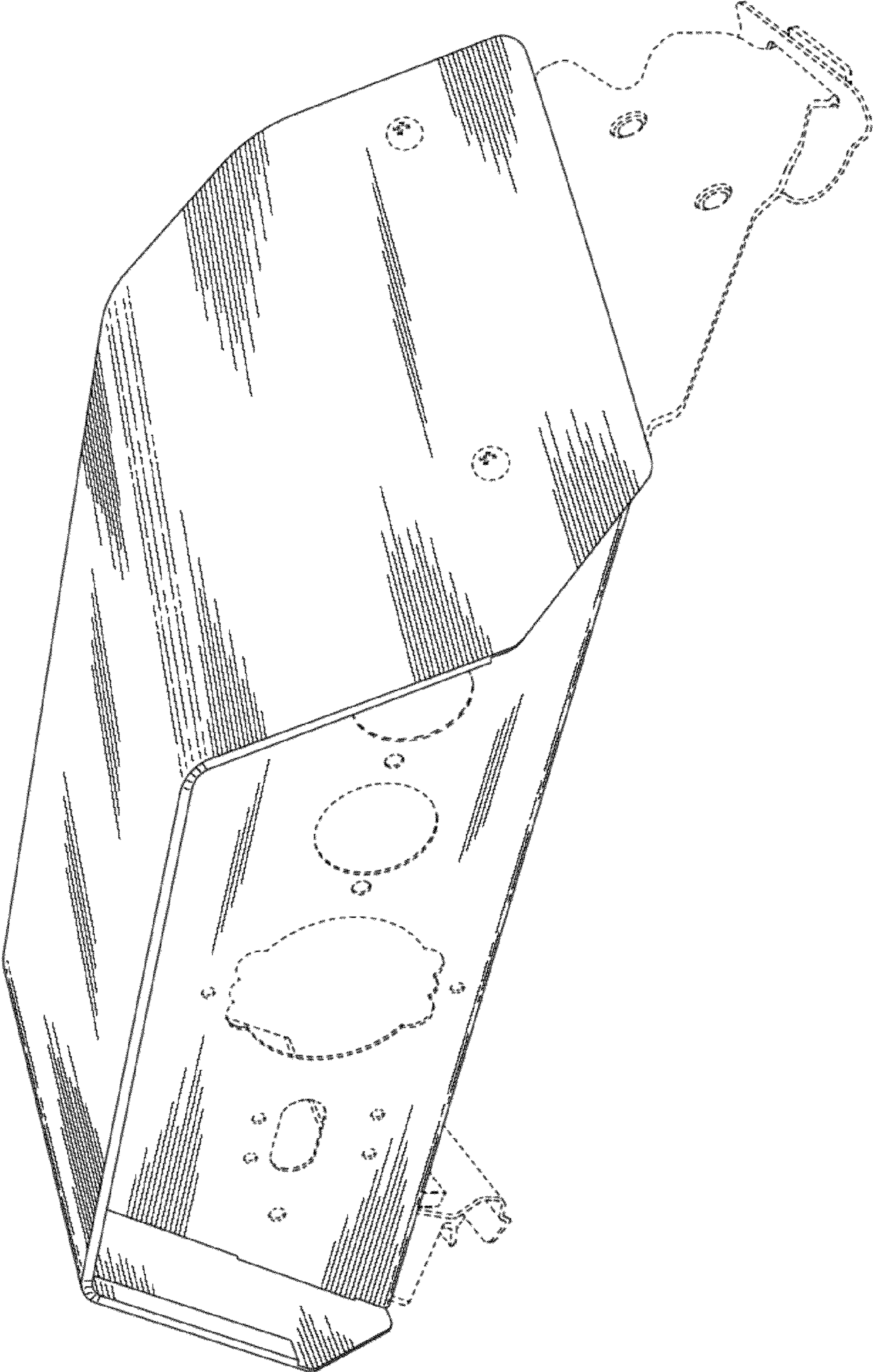


FIG.1

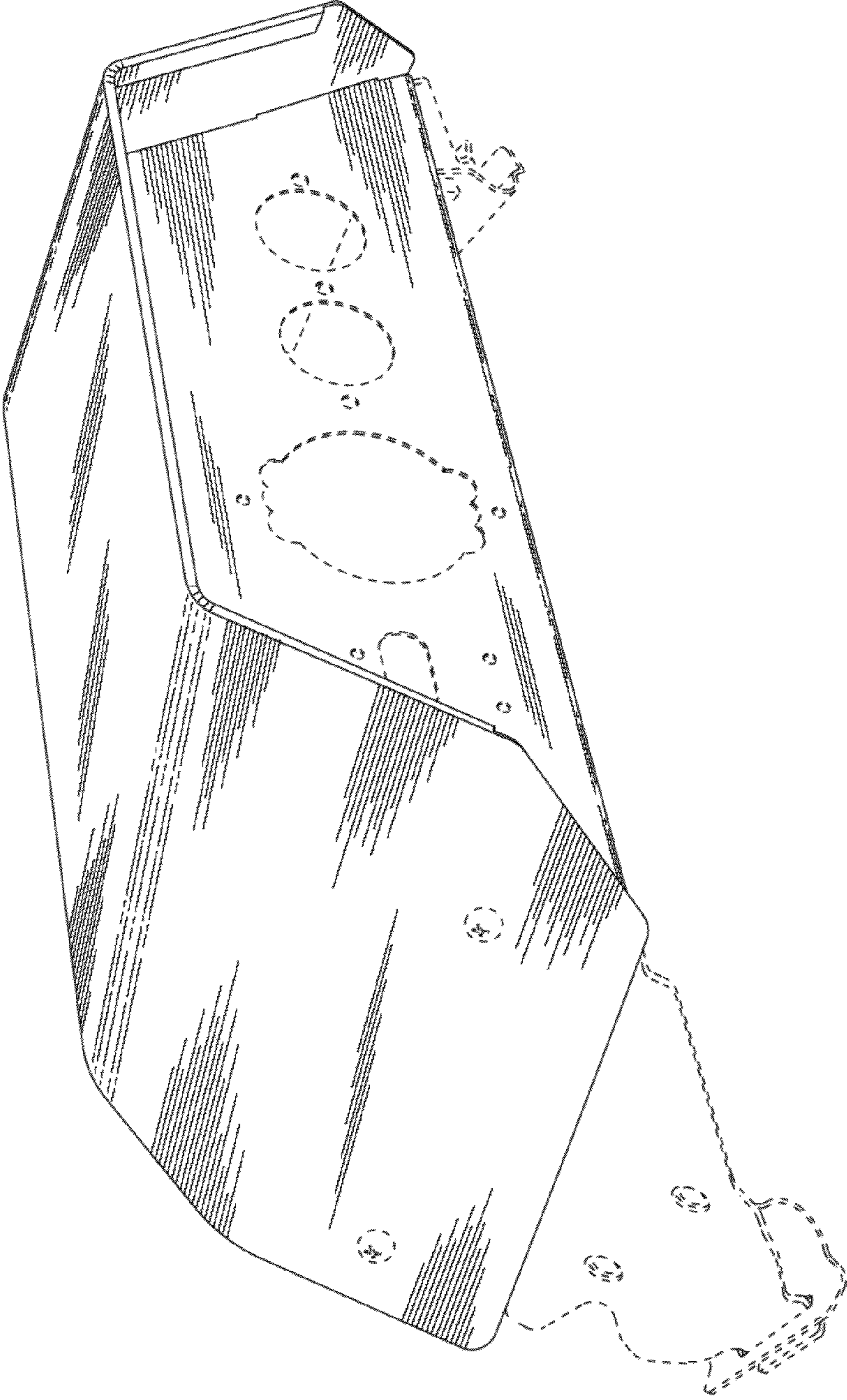


FIG.2

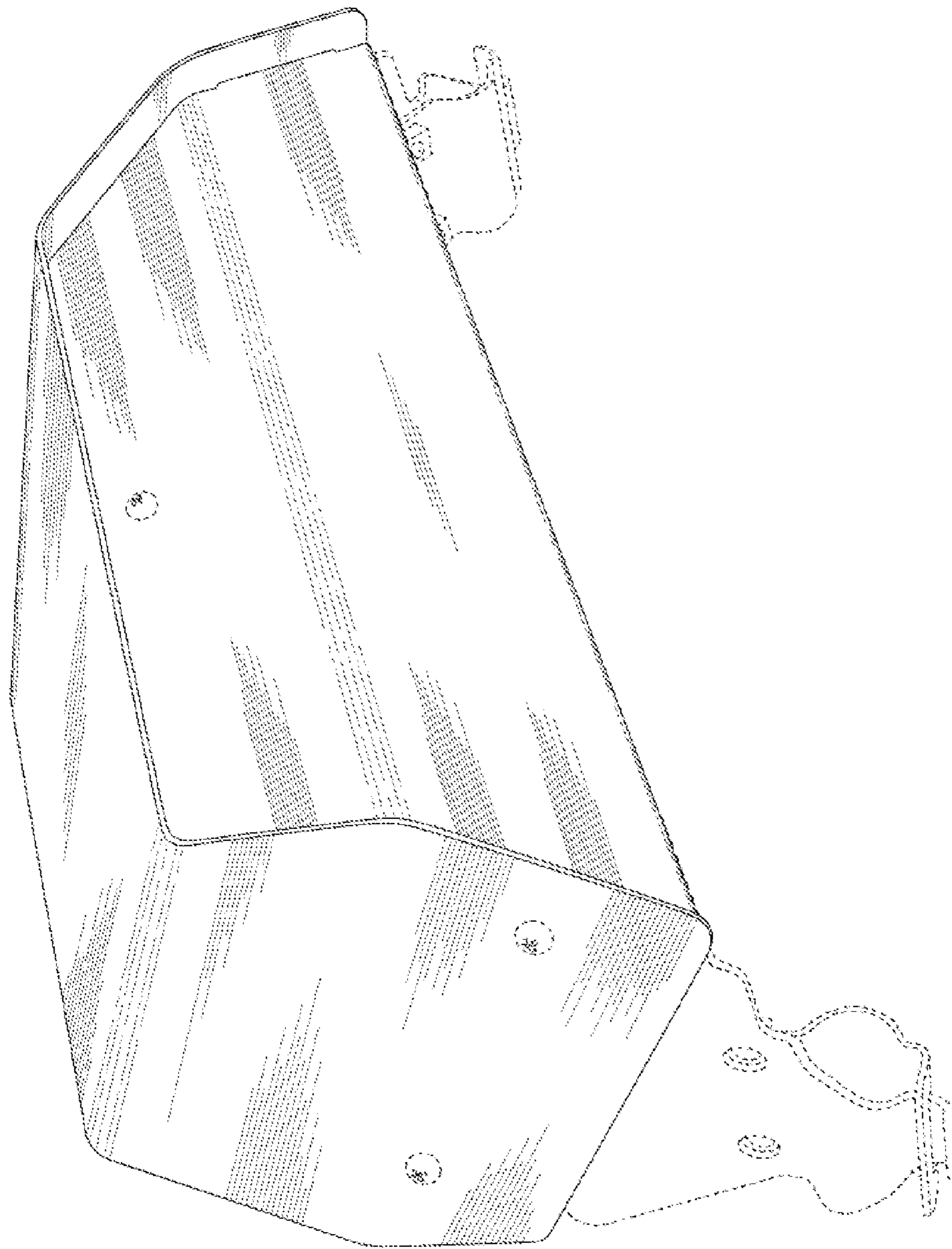


FIG.3

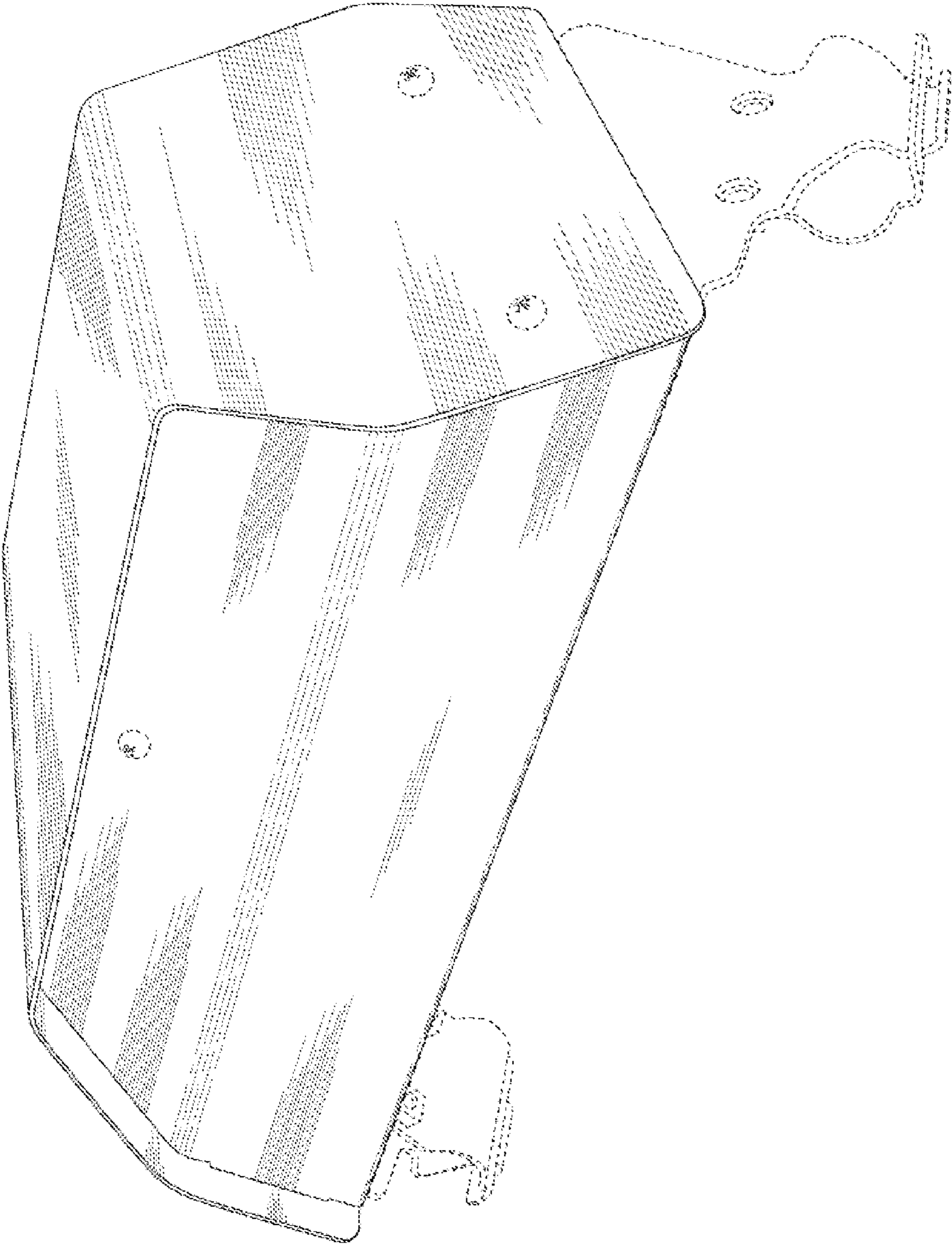


FIG.4

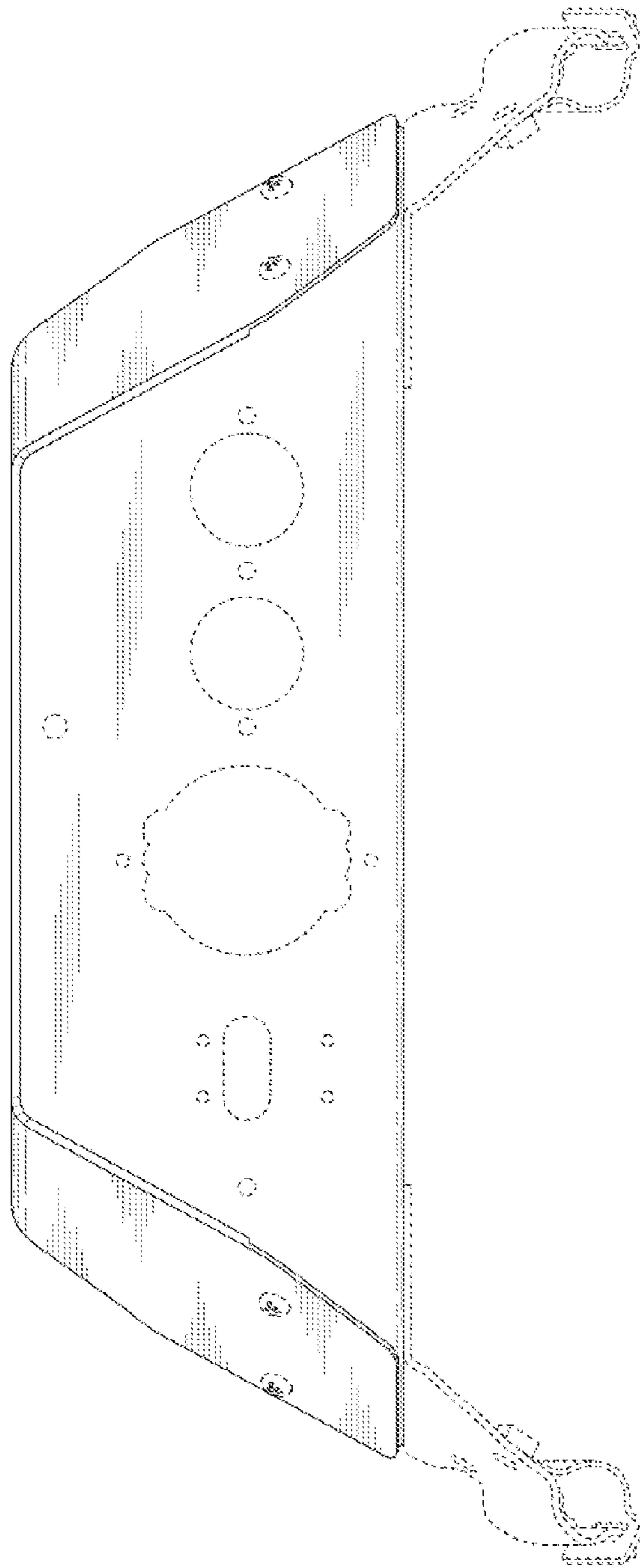


FIG. 5

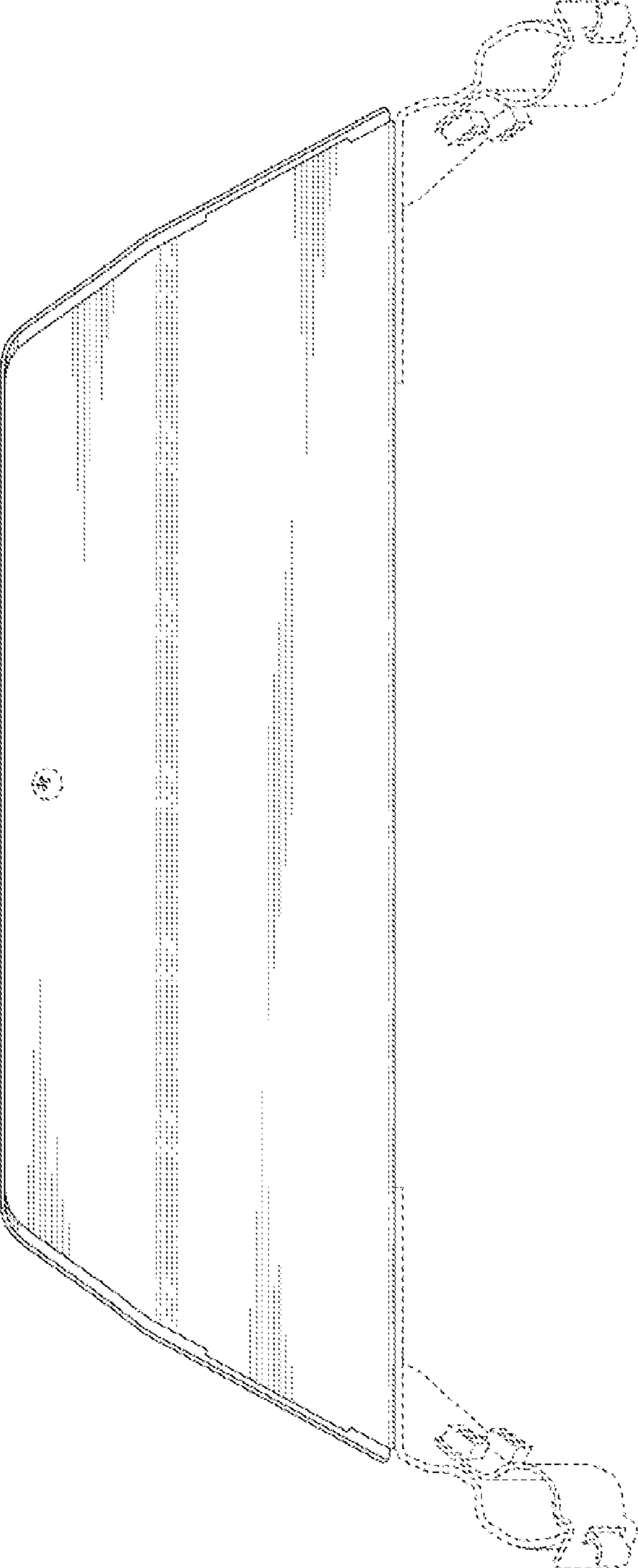


FIG.6

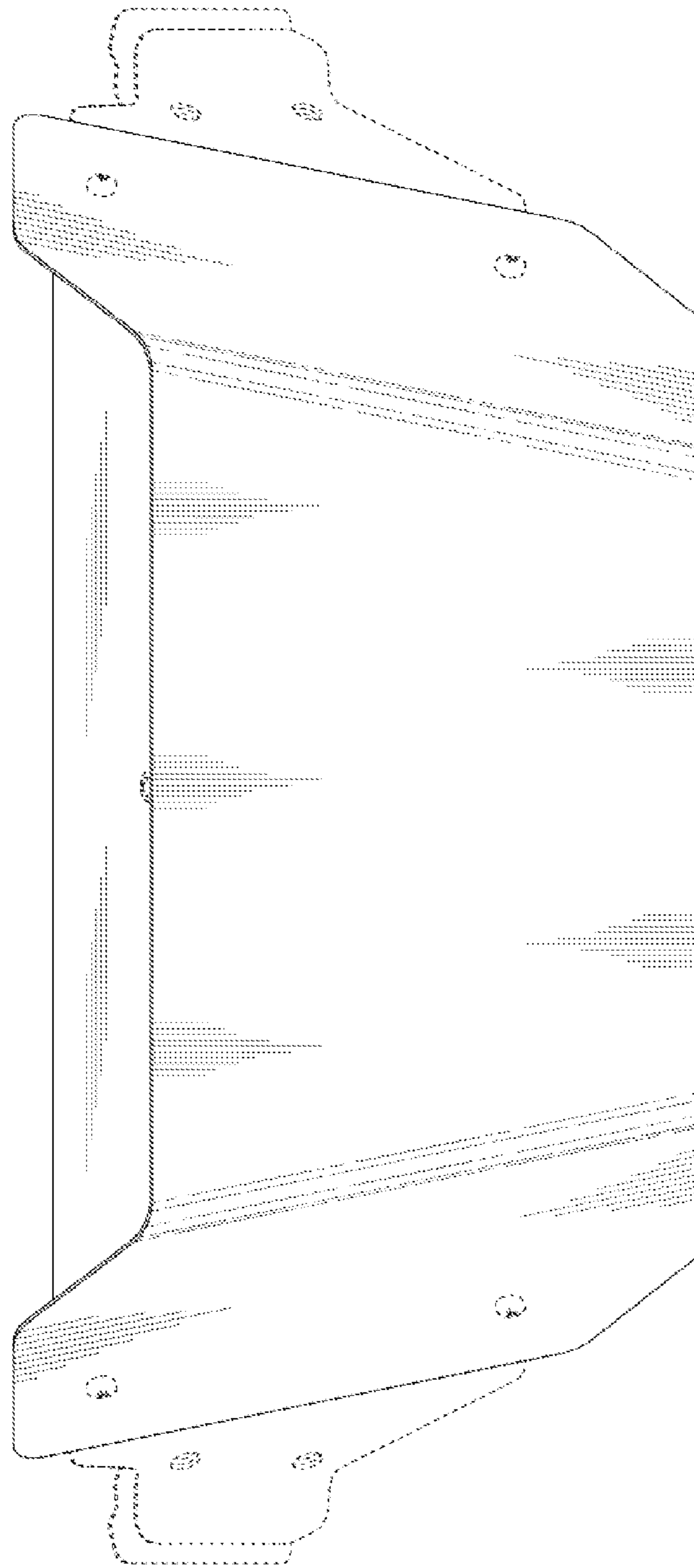


FIG.7

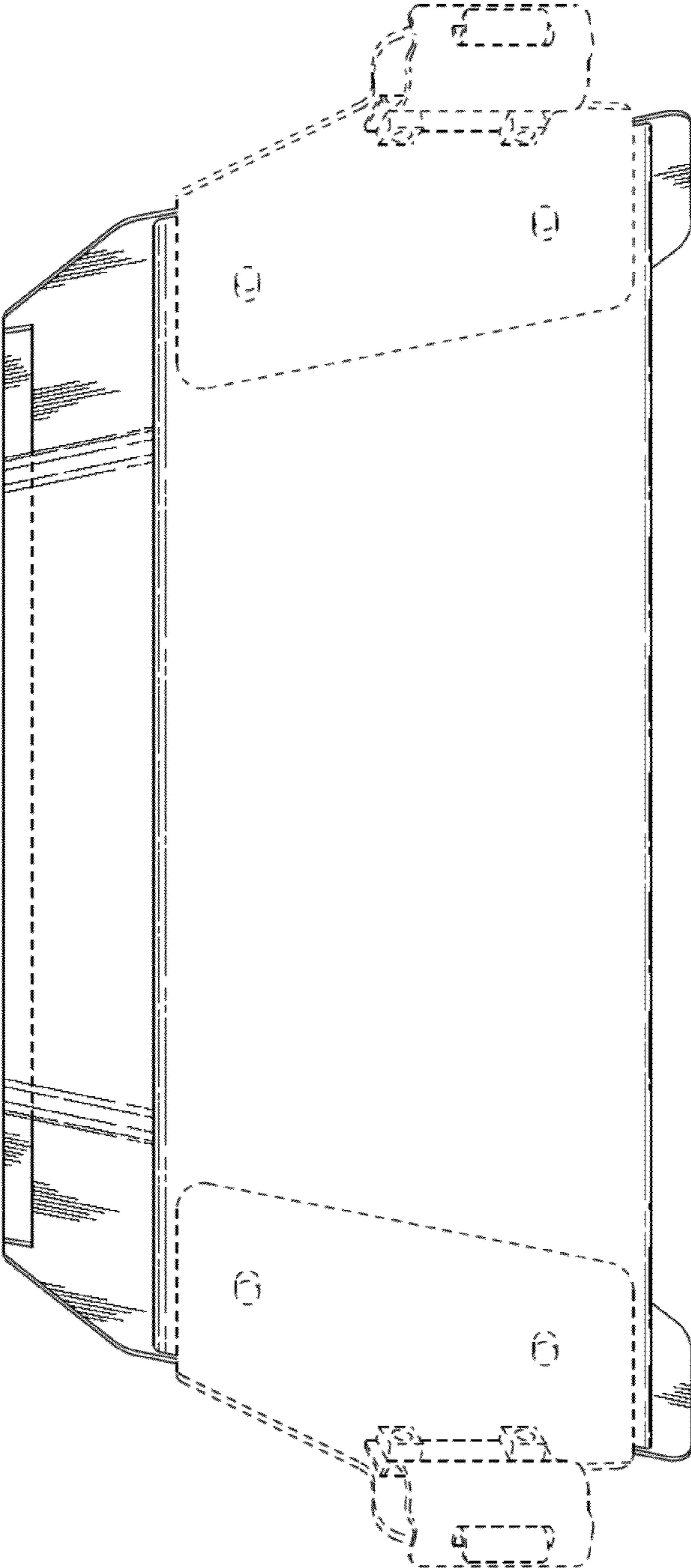


FIG.8

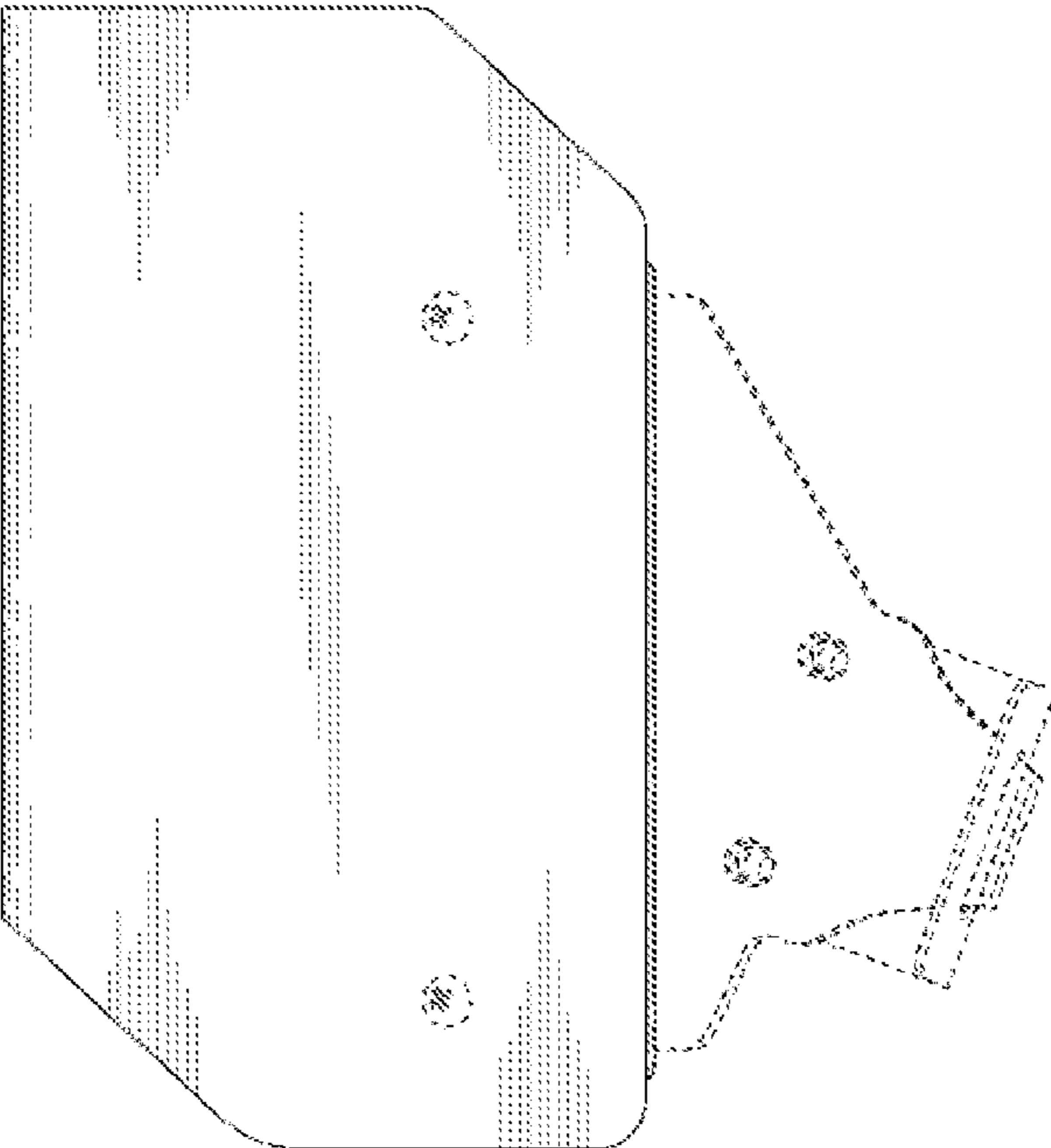


FIG.9

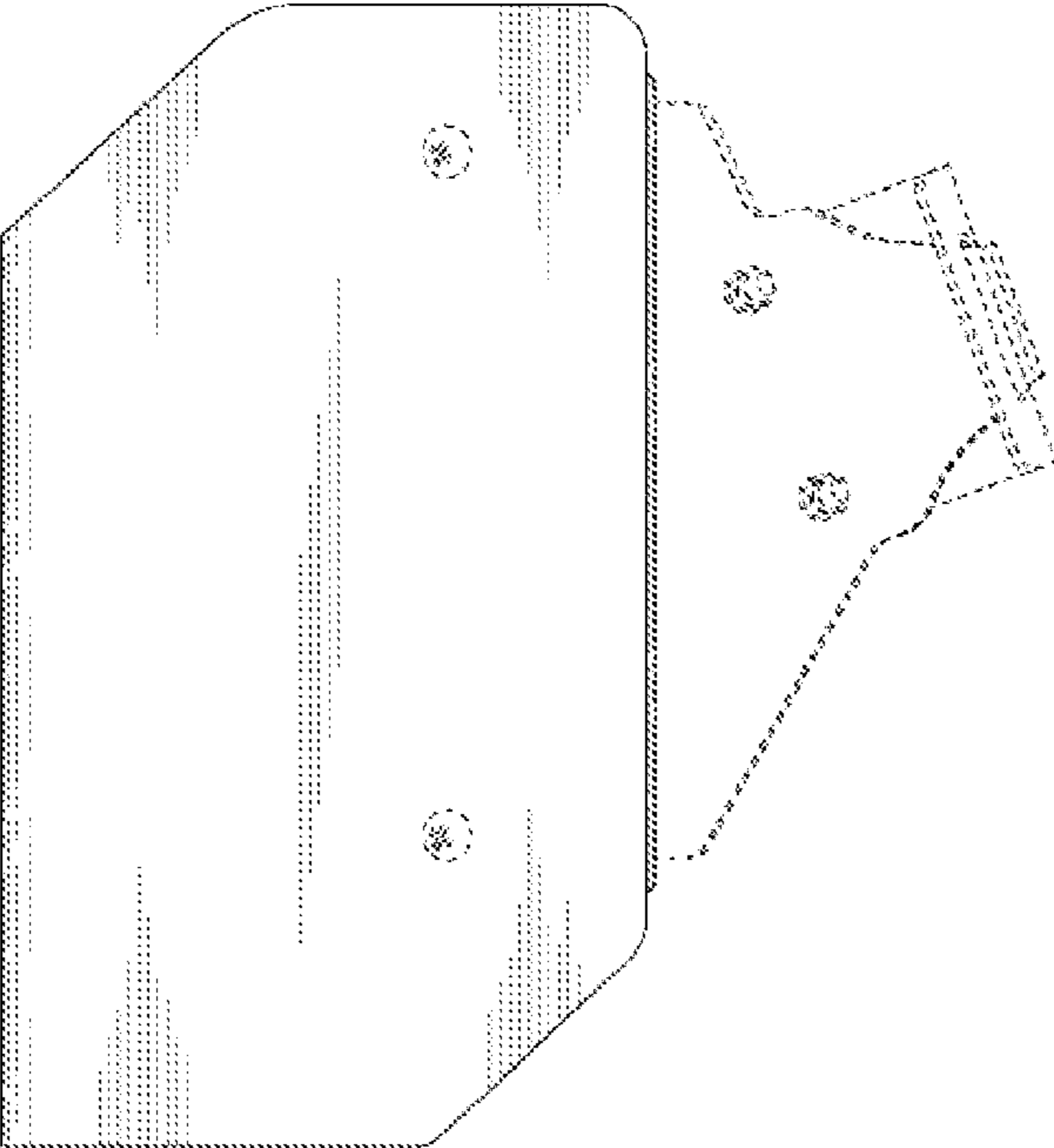


FIG.10