

US00D722974S

(12) **United States Design Patent**  
**Ueda et al.**

(10) **Patent No.:** **US D722,974 S**  
(45) **Date of Patent:** **\*\* Feb. 24, 2015**

(54) **CONNECTOR**

FOREIGN PATENT DOCUMENTS

(71) Applicant: **Panasonic Corporation**, Kadoma-shi,  
Osaka (JP)

JP D1283227 8/2006  
JP D1417538 5/2011

(72) Inventors: **Hiroki Ueda**, Mie (JP); **Yoji Miyazaki**,  
Mie (JP)

\* cited by examiner

(73) Assignee: **Panasonic Corporation**, Osaka (JP)

*Primary Examiner* — Daniel Bui

(\*\*) Term: **14 Years**

(74) *Attorney, Agent, or Firm* — Marvin A. Motsenbocker;  
Mots Law, PLLC

(21) Appl. No.: **29/496,880**

(57) **CLAIM**

(22) Filed: **Jul. 18, 2014**

The ornamental design for a connector, as shown and  
described.

(30) **Foreign Application Priority Data**

**DESCRIPTION**

Jan. 27, 2014 (KR) ..... 30-2014-0004498  
Jan. 27, 2014 (KR) ..... 30-2014-0004499

(51) **LOC (10) Cl.** ..... **13-03**

(52) **U.S. Cl.**  
USPC ..... **D13/147**

(58) **Field of Classification Search**  
USPC ..... D13/147, 154, 184, 199  
See application file for complete search history.

(56) **References Cited**

U.S. PATENT DOCUMENTS

D603,798 S \* 11/2009 Obikane et al. .... D13/147  
D684,120 S \* 6/2013 Miyazaki et al. .... D13/147  
D687,382 S \* 8/2013 Miyazaki et al. .... D13/147  
D687,383 S \* 8/2013 Miyazaki et al. .... D13/147  
D688,210 S \* 8/2013 Mashiyama et al. .... D13/147  
D691,960 S \* 10/2013 Miyazaki et al. .... D13/147  
D692,833 S \* 11/2013 Nishimura et al. .... D13/147  
D695,691 S \* 12/2013 Kobuchi et al. .... D13/147  
D703,146 S \* 4/2014 Takenaga et al. .... D13/147

FIG. 1 is a top, front perspective view of the first embodiment  
of a connector showing our new design;  
FIG. 2 is a front elevation view thereof;  
FIG. 3 is a rear elevation view thereof;  
FIG. 4 is a left side elevation view thereof;  
FIG. 5 is a right side elevation view thereof;  
FIG. 6 is a top plan view thereof;  
FIG. 7 is a bottom plan view thereof;  
FIG. 8 is a top, front perspective view of the second embodi-  
ment of a connector showing our new design;  
FIG. 9 is a front elevation view of the connector of FIG. 8;  
FIG. 10 is a rear elevation view of the connector of FIG. 8;  
FIG. 11 is a left side elevation view of the connector of FIG.  
8;  
FIG. 12 is a right side elevation view of the connector of FIG.  
8;  
FIG. 13 is a top plan view of the connector of FIG. 8; and,  
FIG. 14 is a bottom plan view of the connector of FIG. 8.

**1 Claim, 14 Drawing Sheets**

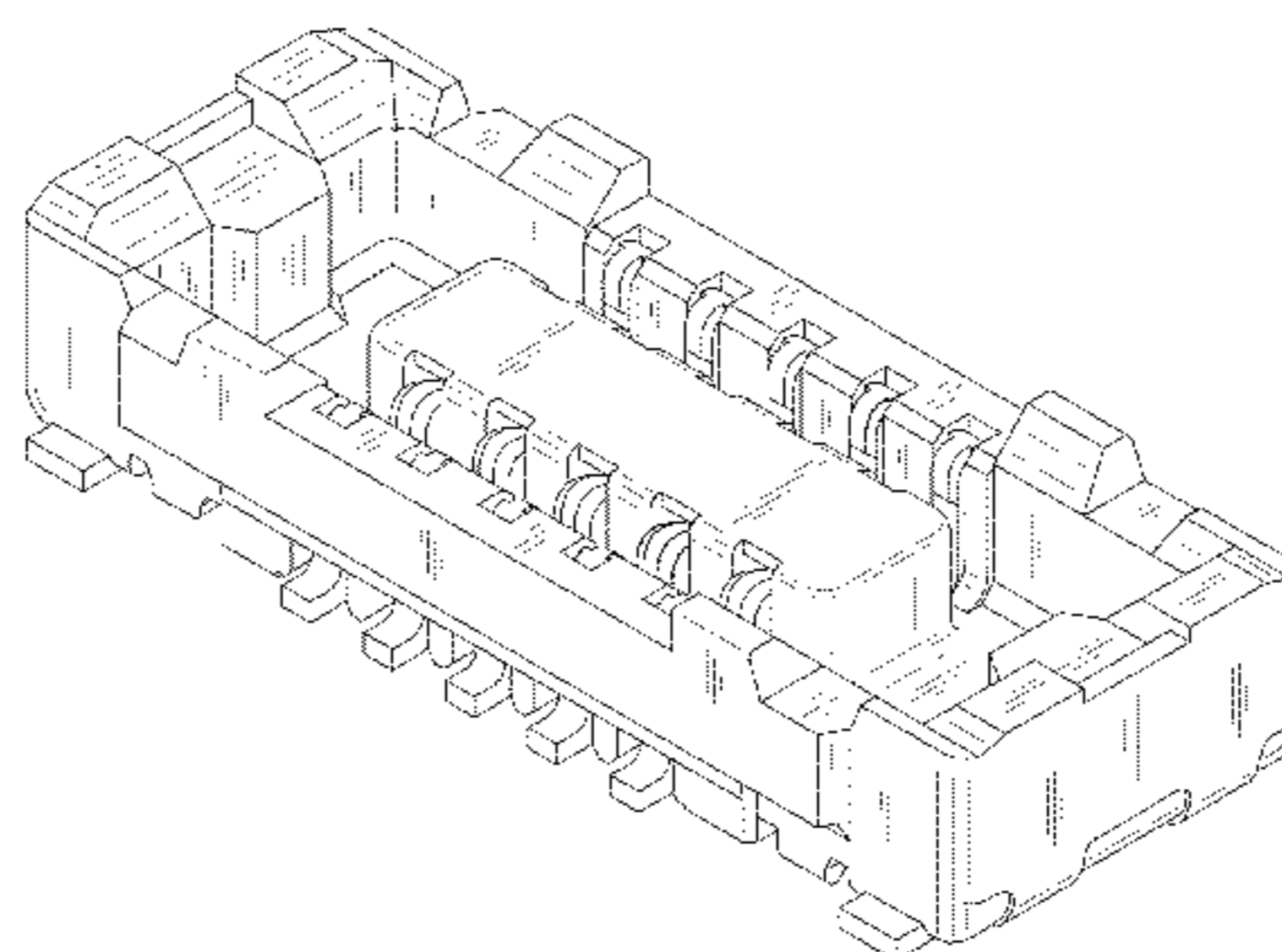
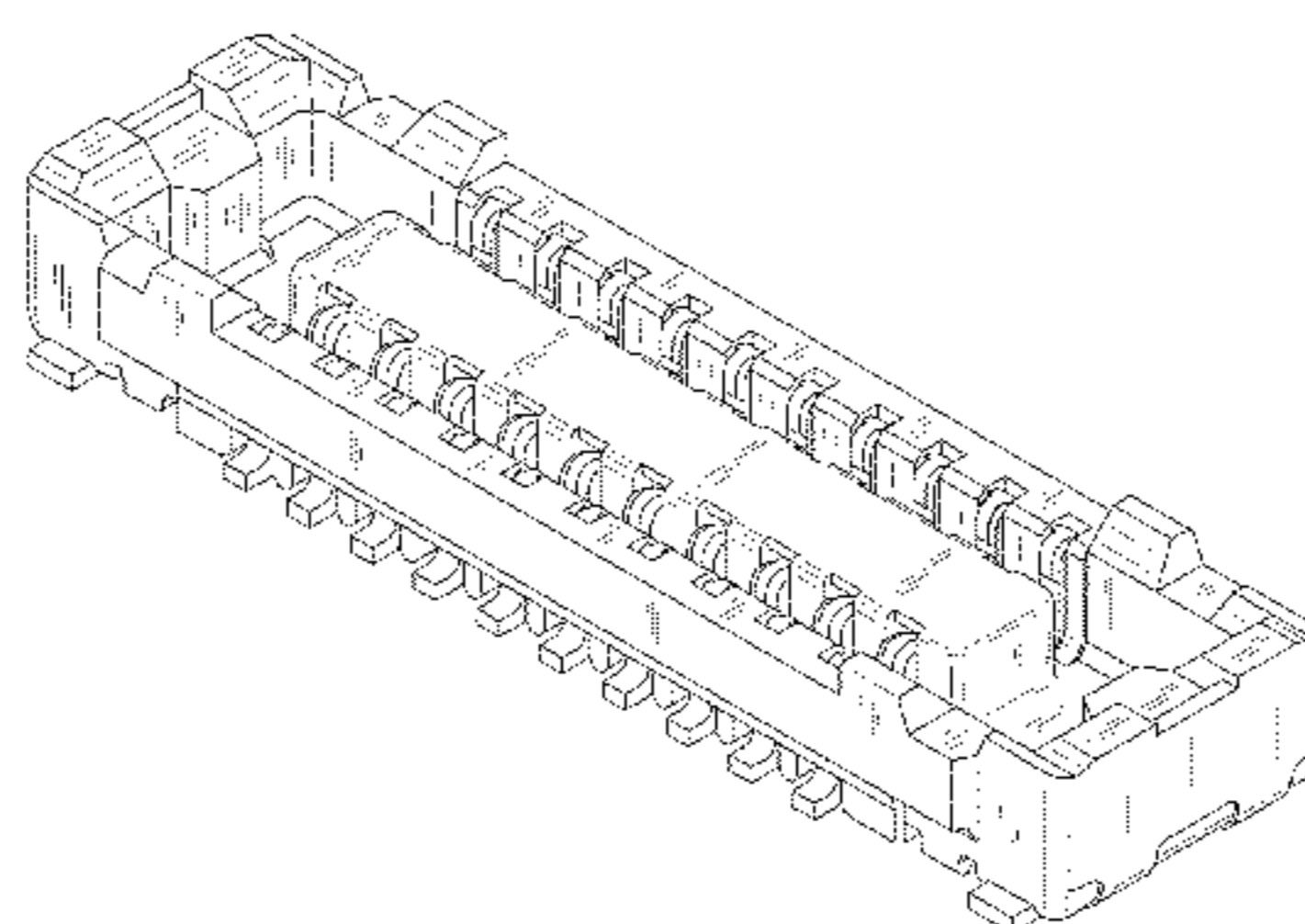


Fig. 1

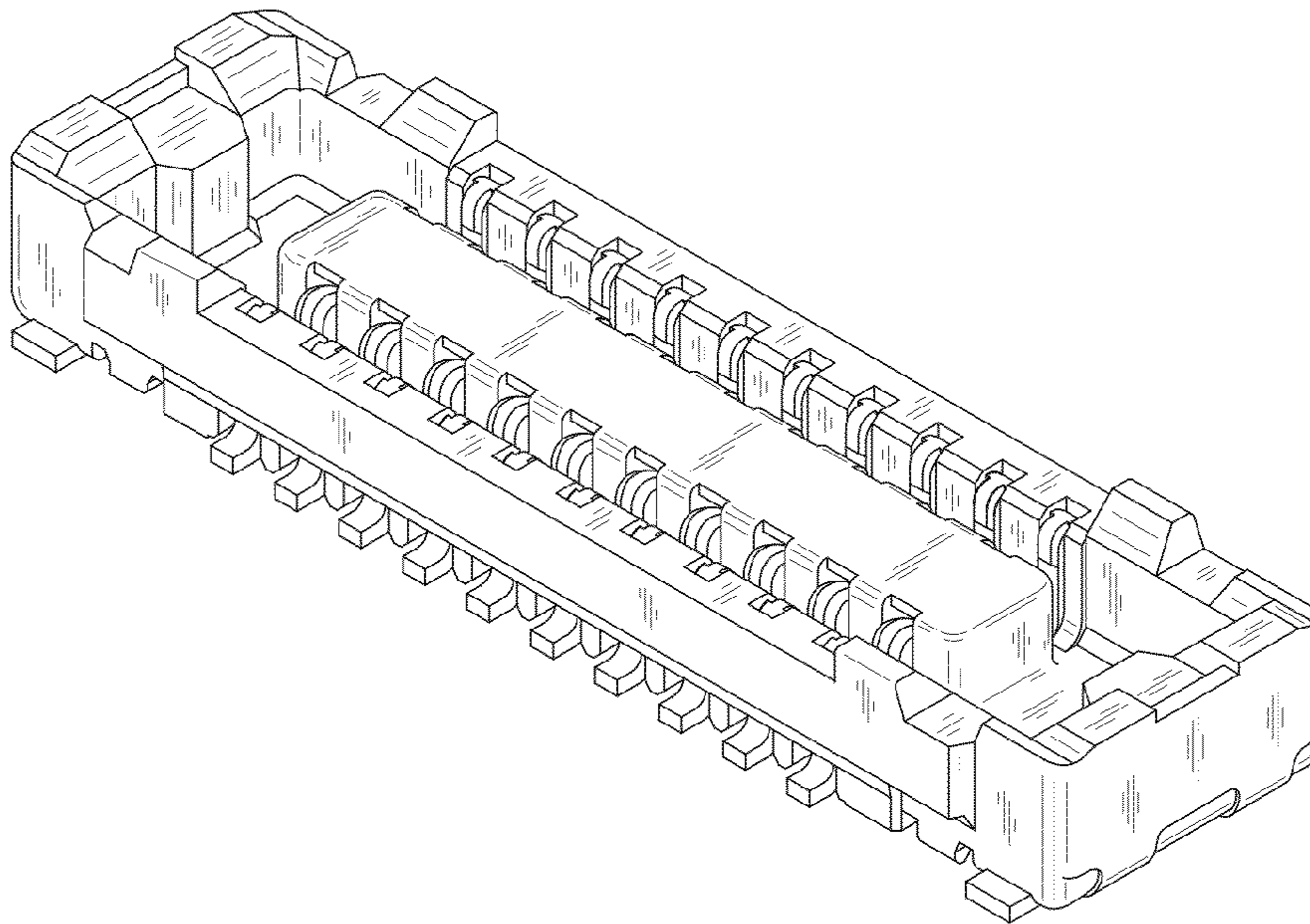


Fig.2

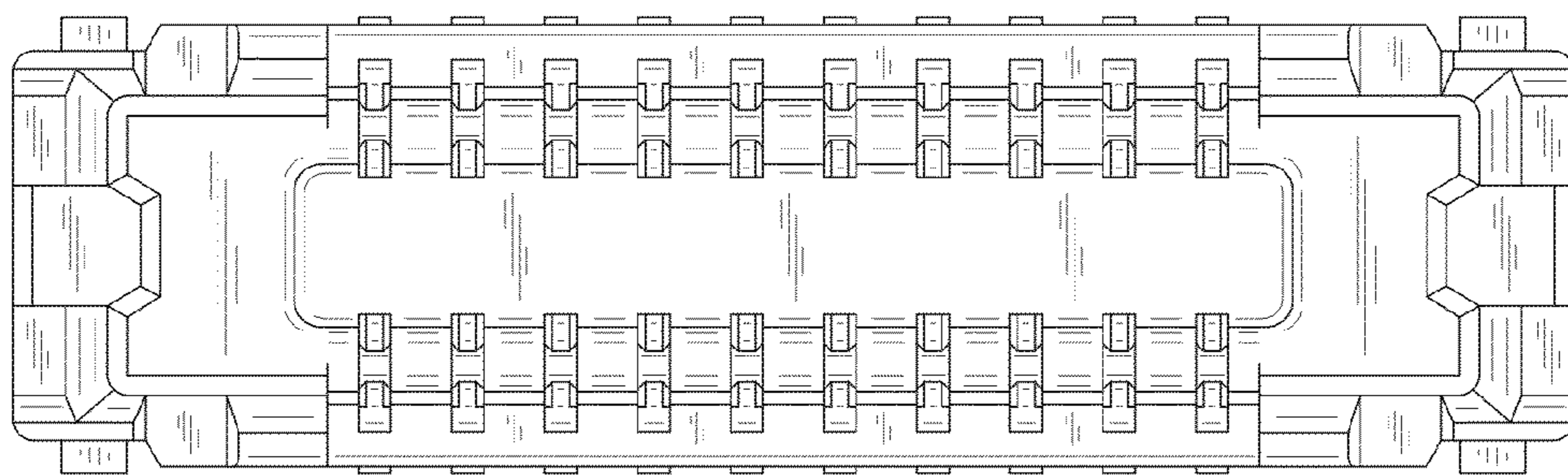


Fig.3

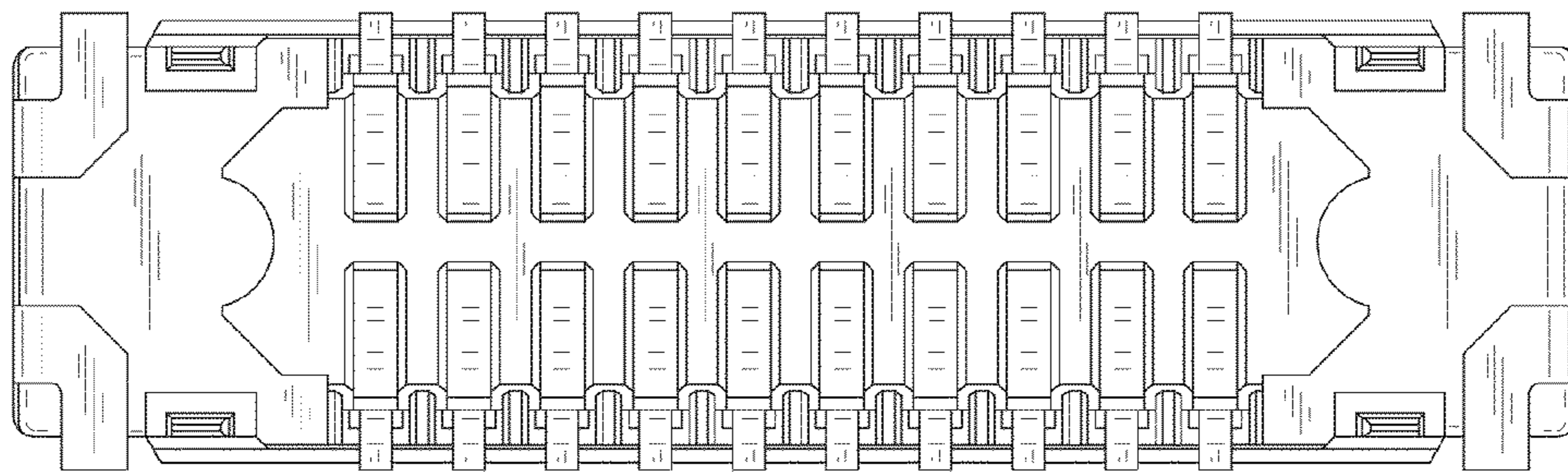


Fig.4

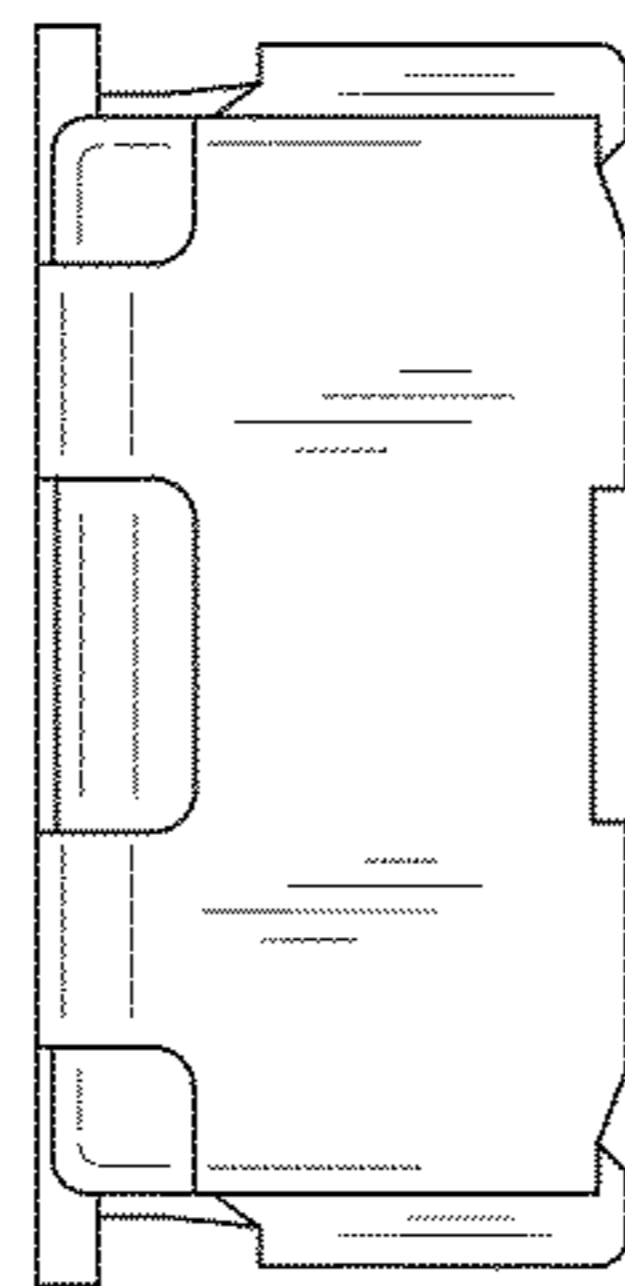


Fig.5

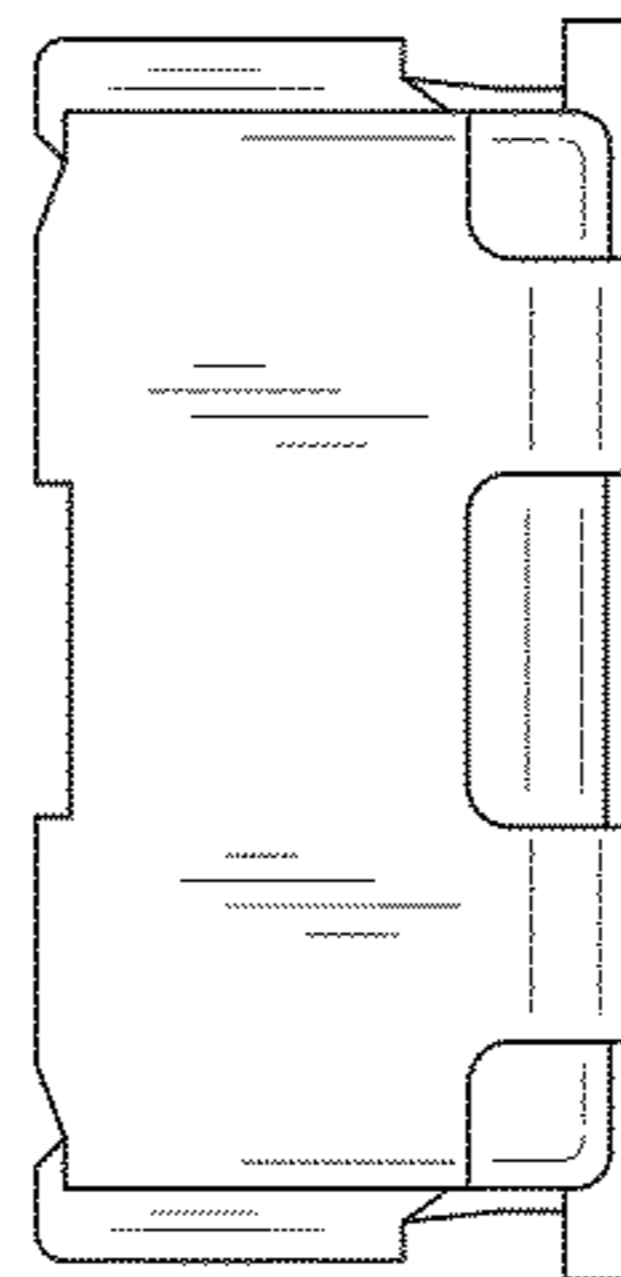


Fig.6

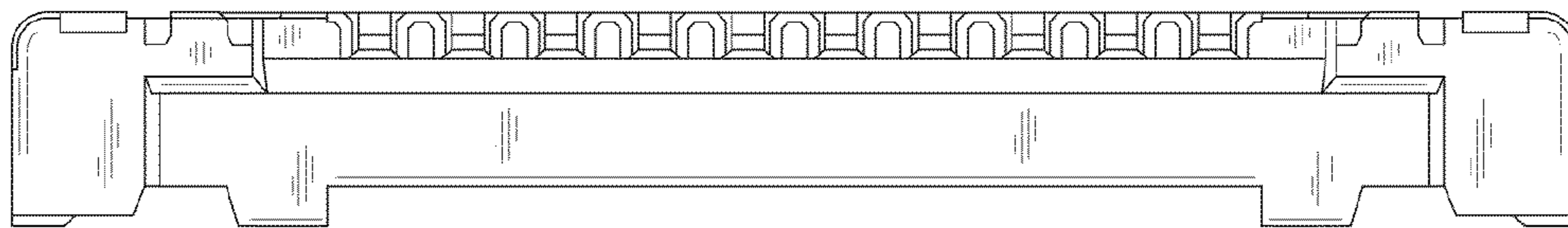


Fig.7

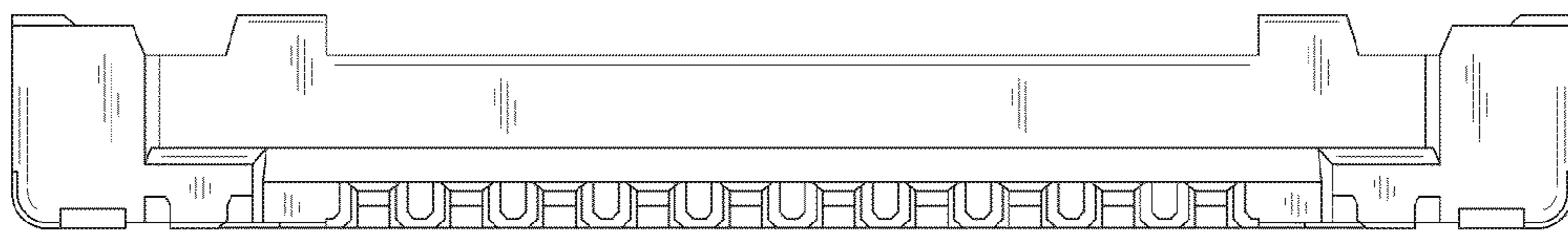




Fig.8

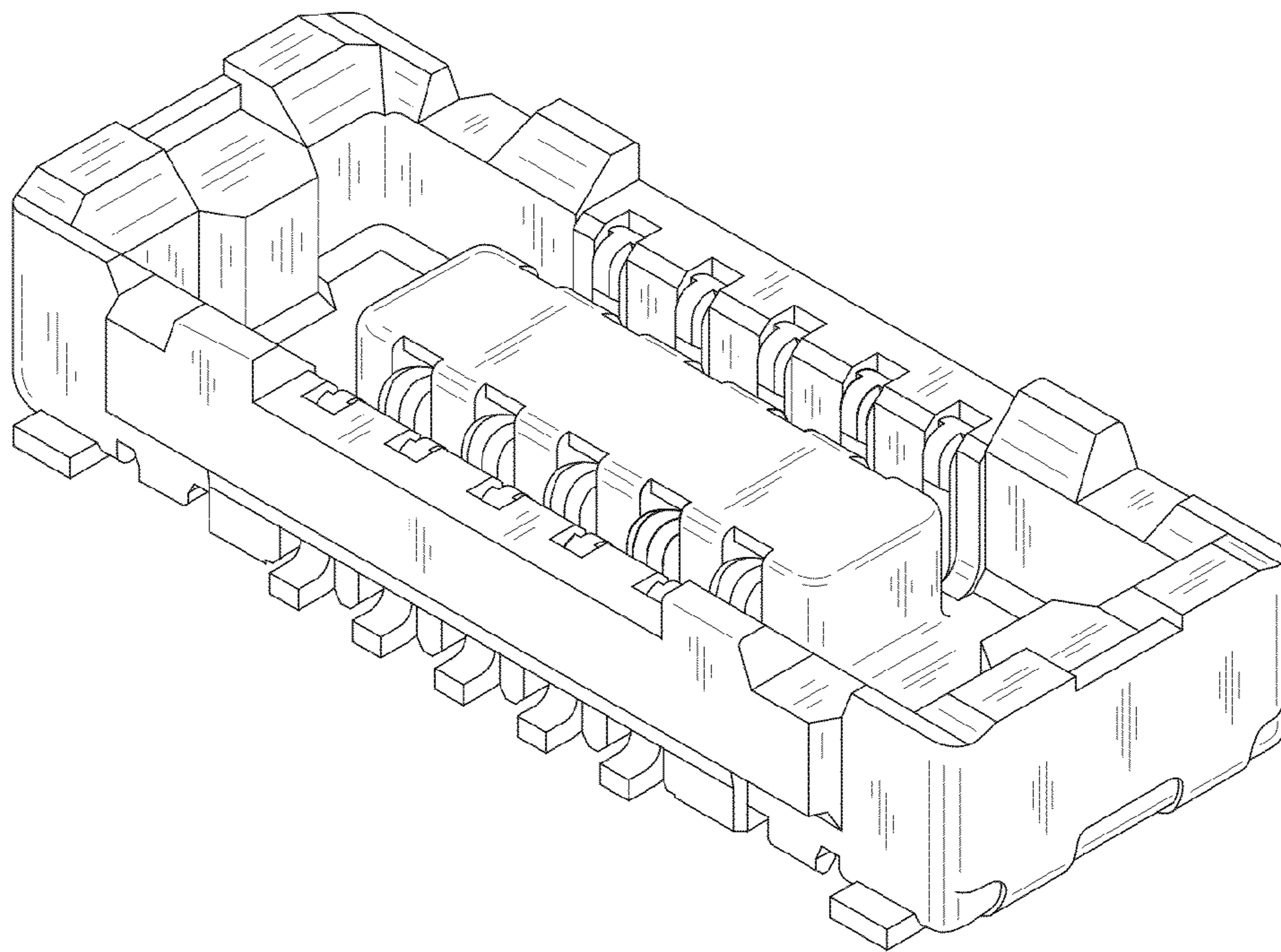


Fig.9

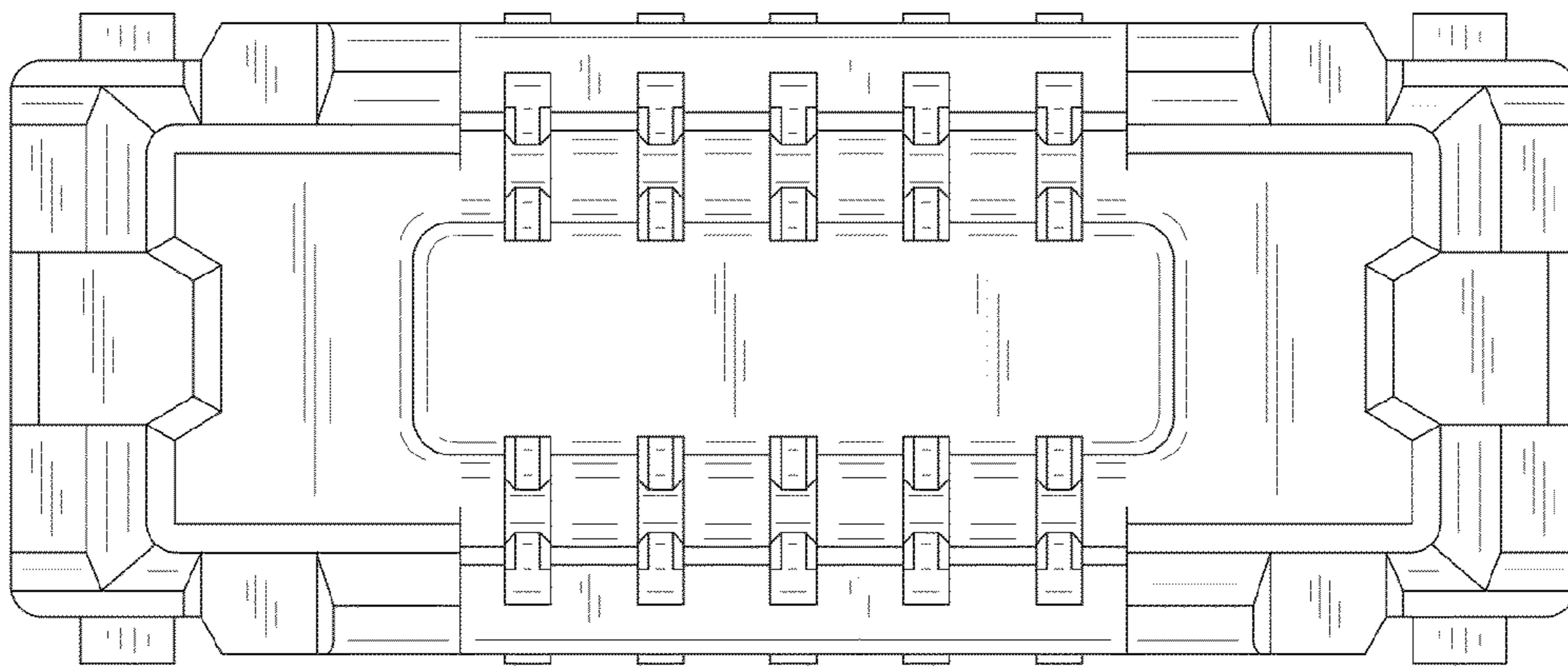


Fig. 10

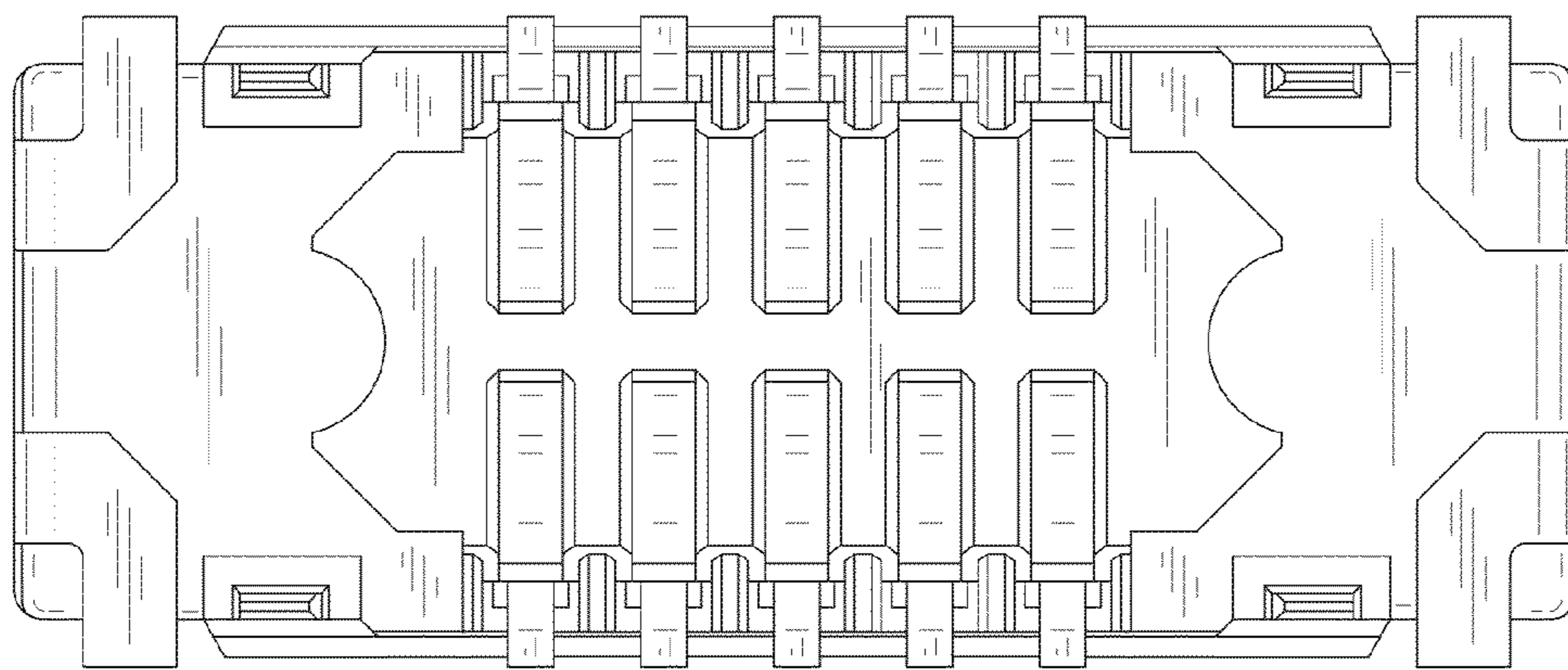


Fig. 11

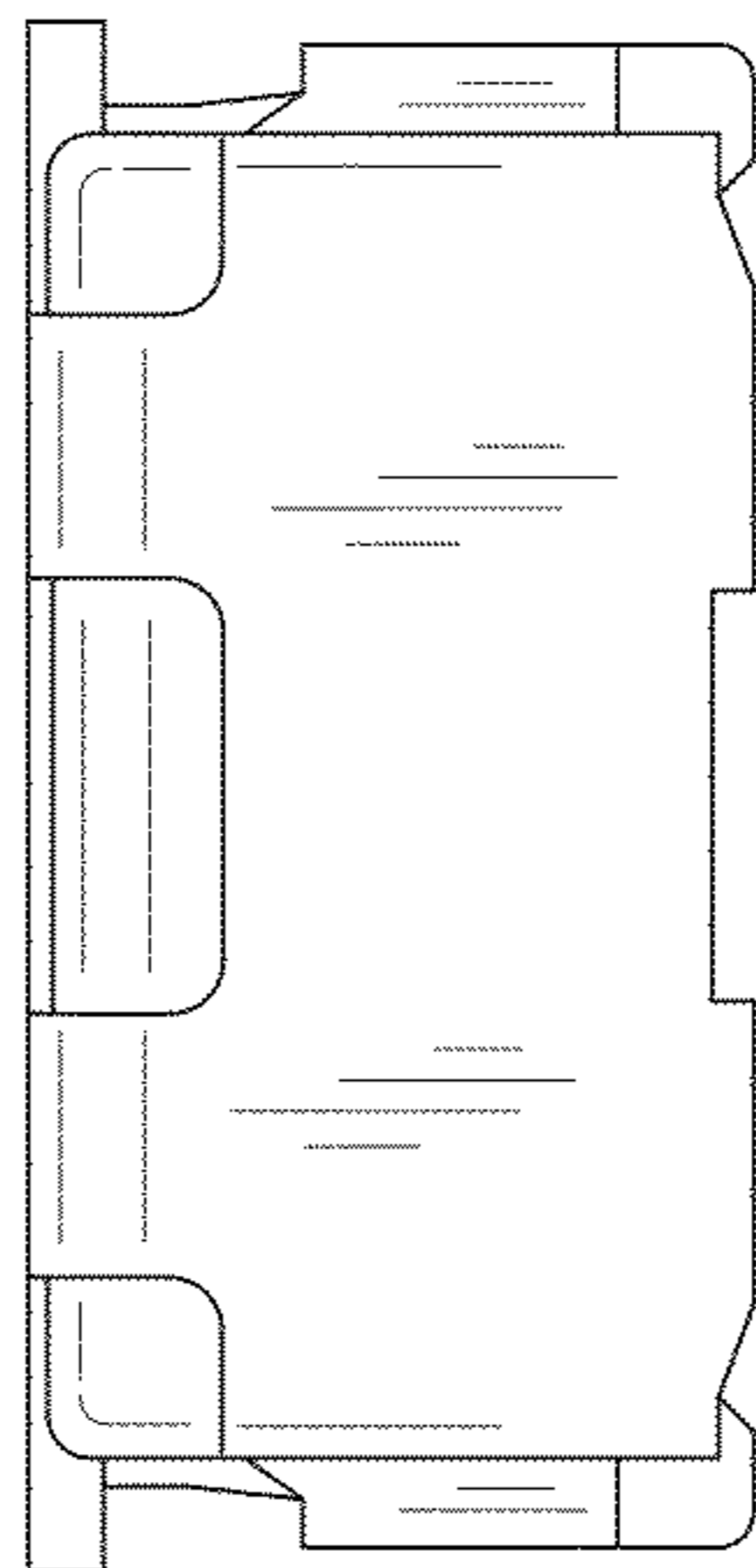


Fig. 12

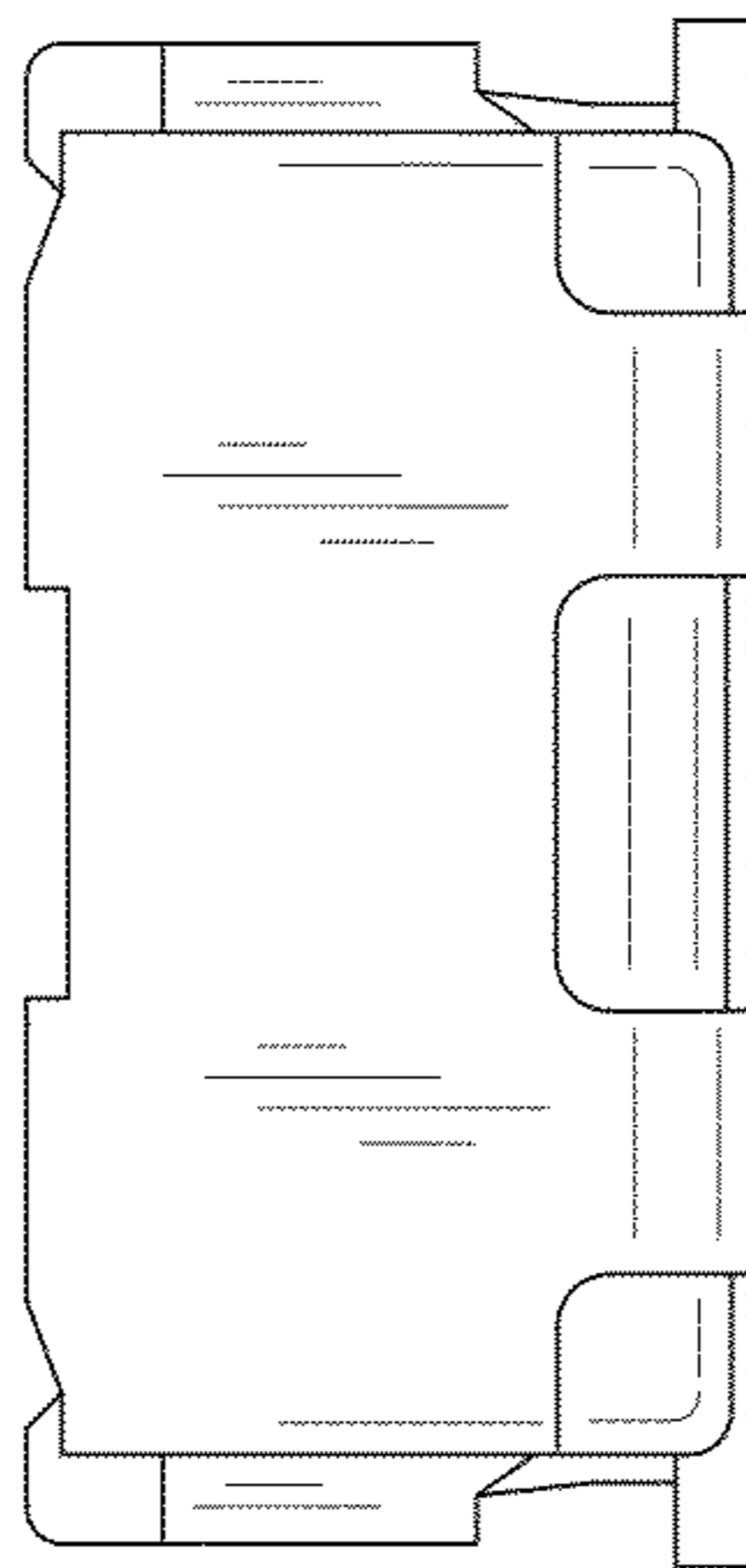


Fig.13

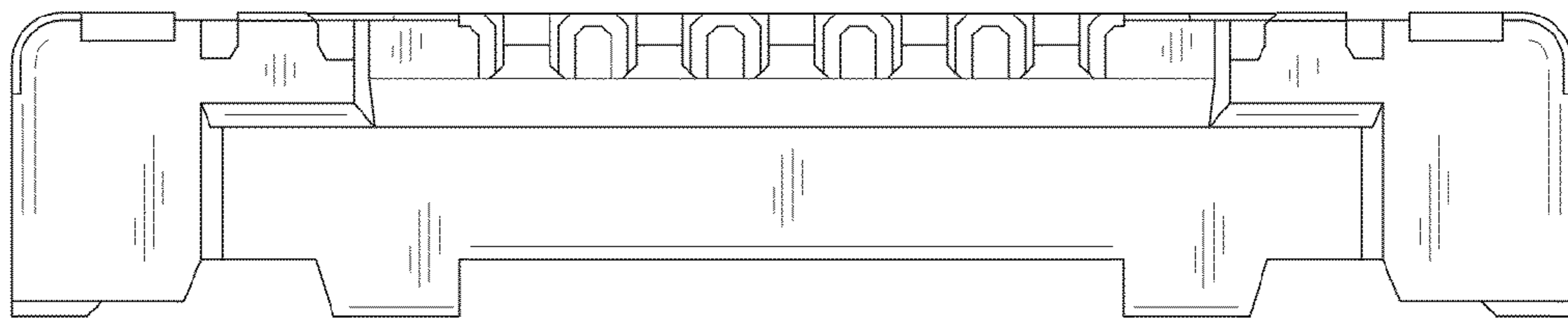


Fig.14

