

US00D722973S

(12) **United States Design Patent**
Miyazaki

(10) **Patent No.:** **US D722,973 S**

(45) **Date of Patent:** **** Feb. 24, 2015**

(54) **CONNECTOR**

D692,833 S * 11/2013 Nishimura et al. D13/147
D695,691 S * 12/2013 Kobuchi et al. D13/147
D703,146 S * 4/2014 Takenaga et al. D13/147

(71) Applicant: **Panasonic Corporation**, Kadoma-shi,
Osaka (JP)

* cited by examiner

(72) Inventor: **Yoji Miyazaki**, Ise (JP)

Primary Examiner — Daniel Bui

(73) Assignee: **Panasonic Corporation**, Osaka (JP)

(74) *Attorney, Agent, or Firm* — Marvin A. Motsenbocker;
Mots Law, PLLC

(**) Term: **14 Years**

(57) **CLAIM**

The ornamental design for a connector, as shown and described.

(21) Appl. No.: **29/489,709**

DESCRIPTION

(22) Filed: **May 2, 2014**

(30) **Foreign Application Priority Data**

Nov. 8, 2013 (KR) 30-2013-0056370

(51) **LOC (10) Cl.** **13-03**

(52) **U.S. Cl.**
USPC **D13/147**

(58) **Field of Classification Search**
USPC D13/147, 154, 184, 199
See application file for complete search history.

FIG. 1 is a front, top perspective view of a connector showing my new design;

FIG. 2 is a front elevation view thereof;

FIG. 3 is a rear elevation view thereof;

FIG. 4 is a left side elevation view thereof;

FIG. 5 is a right side elevation view thereof;

FIG. 6 is a top plan view thereof;

FIG. 7 is a bottom plan view thereof;

FIG. 8 is a rear, top perspective view thereof;

FIG. 9 is a reference front bottom perspective view thereof;

FIG. 10 is a reference enlarged view thereof taken between lines 10-10 in FIG. 2; and,

FIG. 11 is a reference sectional view thereof taken along line 11-11 in FIG. 6.

In the figure drawings, the even-broken line is included for the purpose of illustrating environment and forms no part of the claimed design. The dash-dot line represents the boundary of the claimed design.

(56) **References Cited**

U.S. PATENT DOCUMENTS

D603,798 S * 11/2009 Obikane et al. D13/147
D684,120 S * 6/2013 Miyazaki et al. D13/147
D687,382 S * 8/2013 Miyazaki et al. D13/147
D687,383 S * 8/2013 Miyazaki et al. D13/147
D688,210 S * 8/2013 Mashiyama et al. D13/147
D691,960 S * 10/2013 Miyazaki et al. D13/147

1 Claim, 11 Drawing Sheets

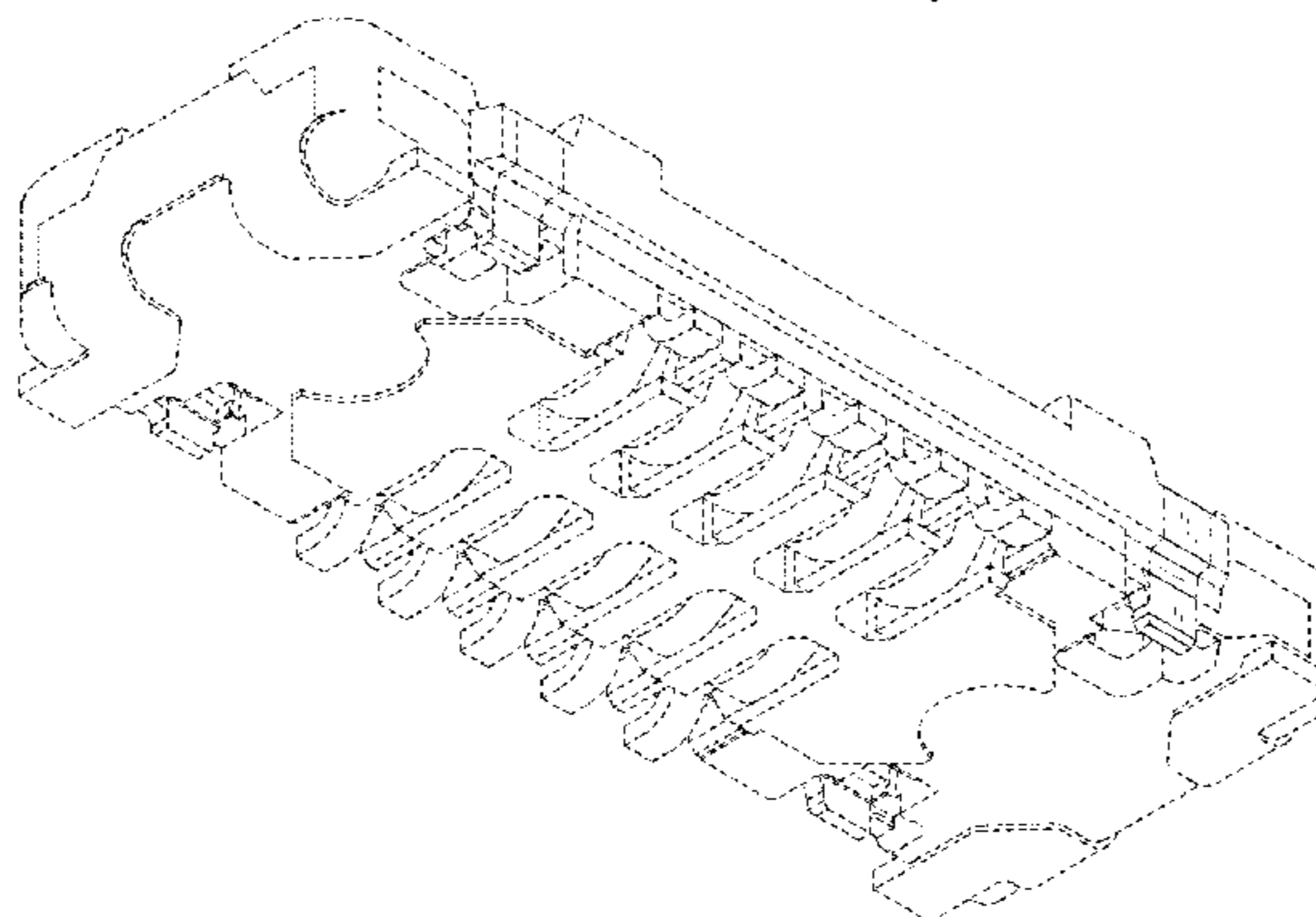
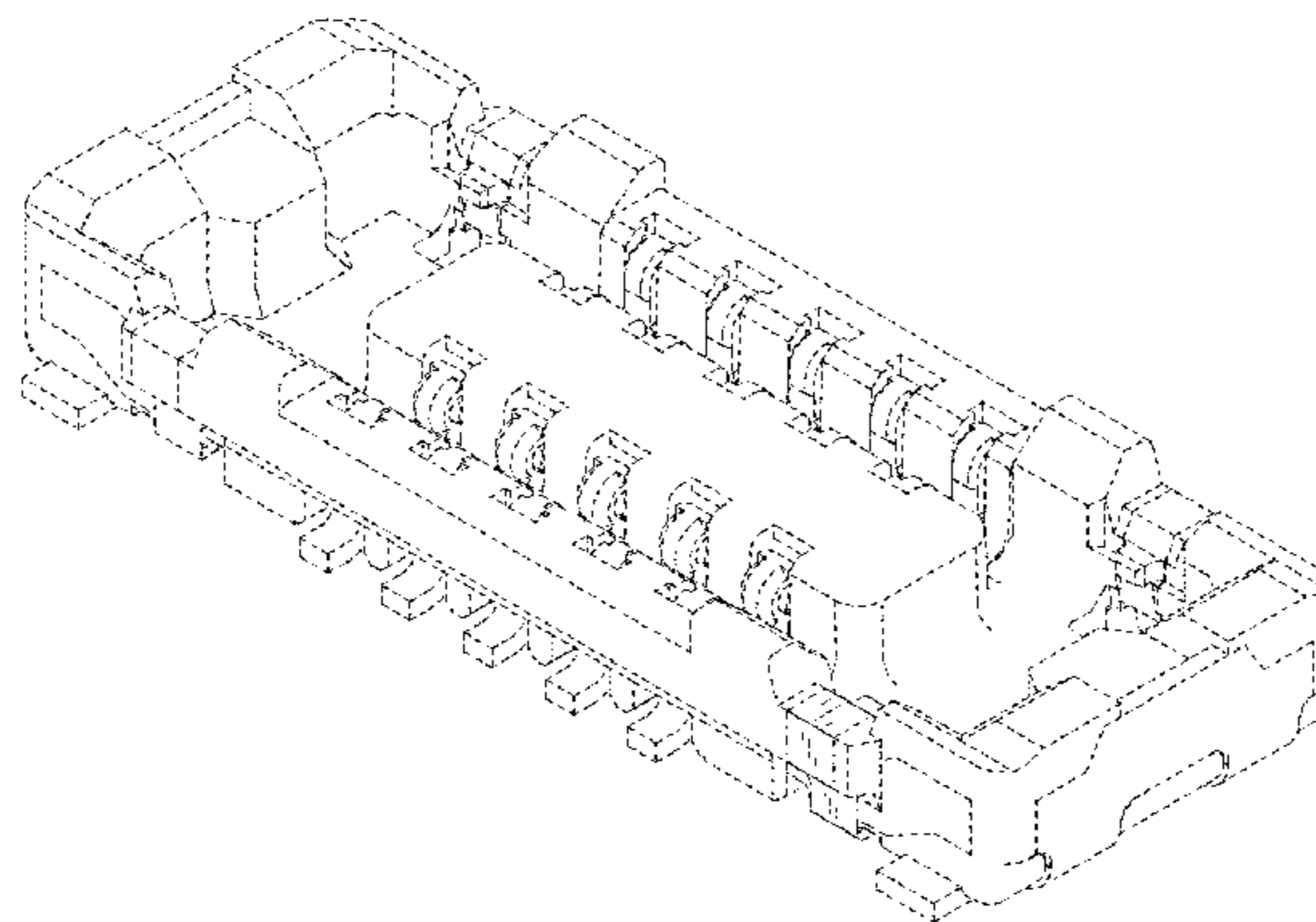


Fig. 1

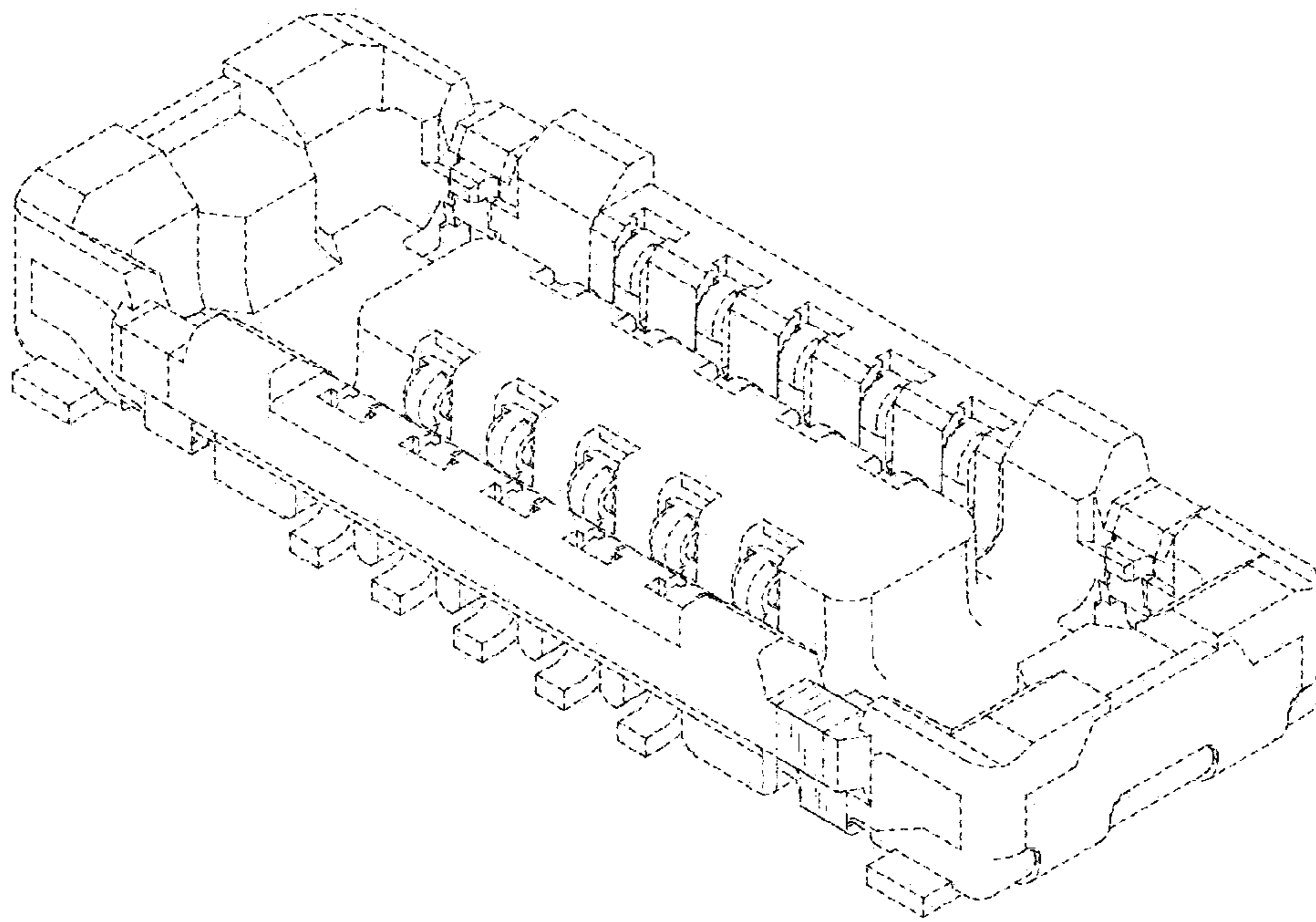


Fig.2

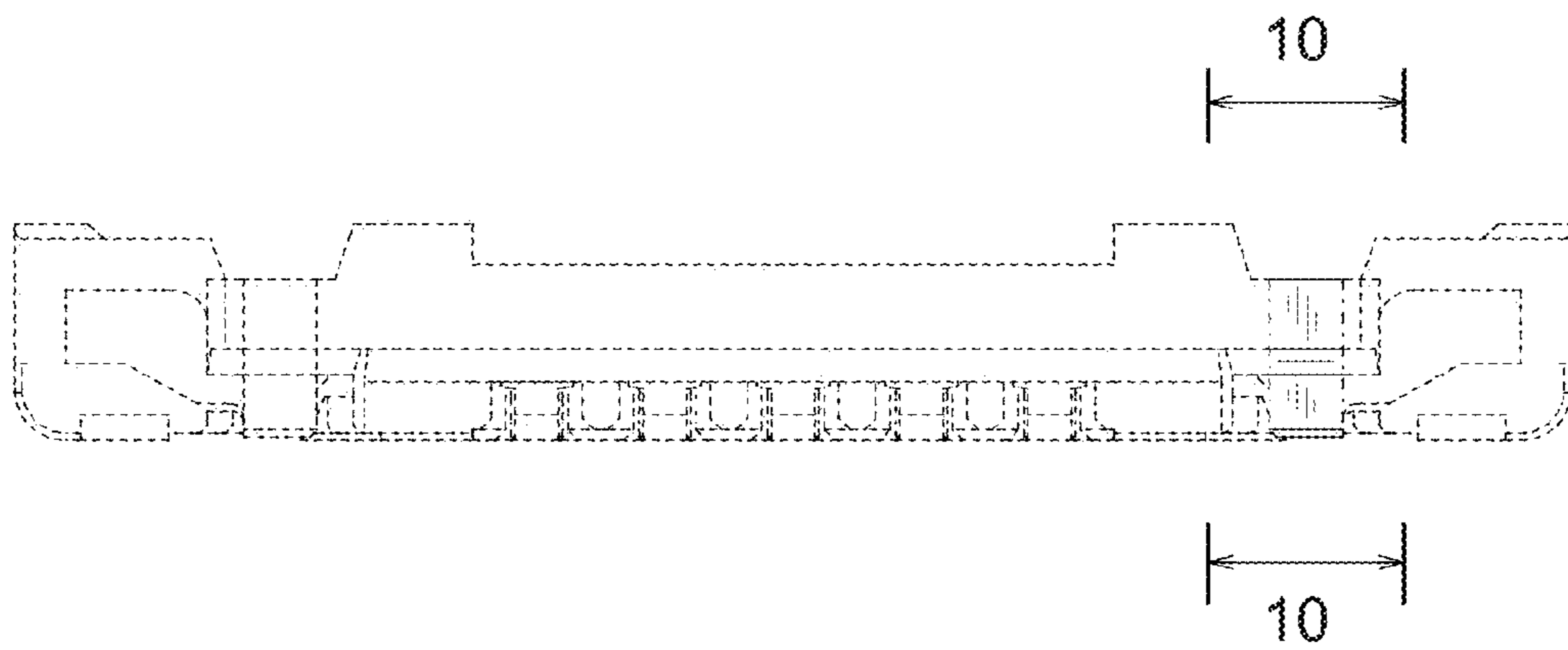


Fig.3

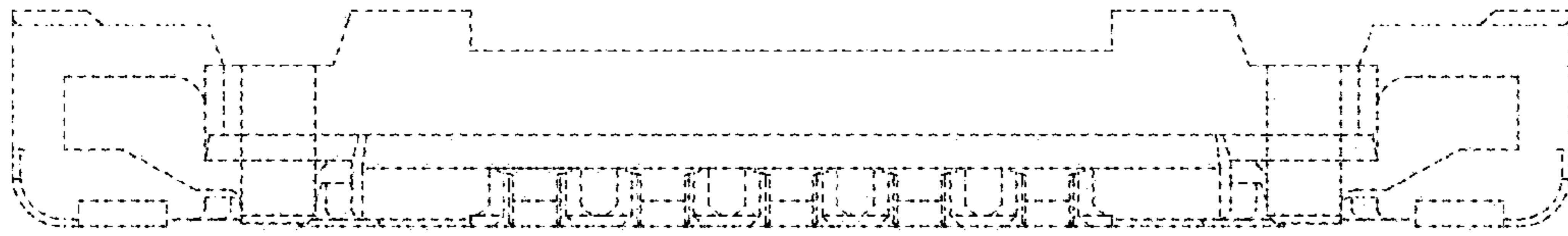


Fig.4

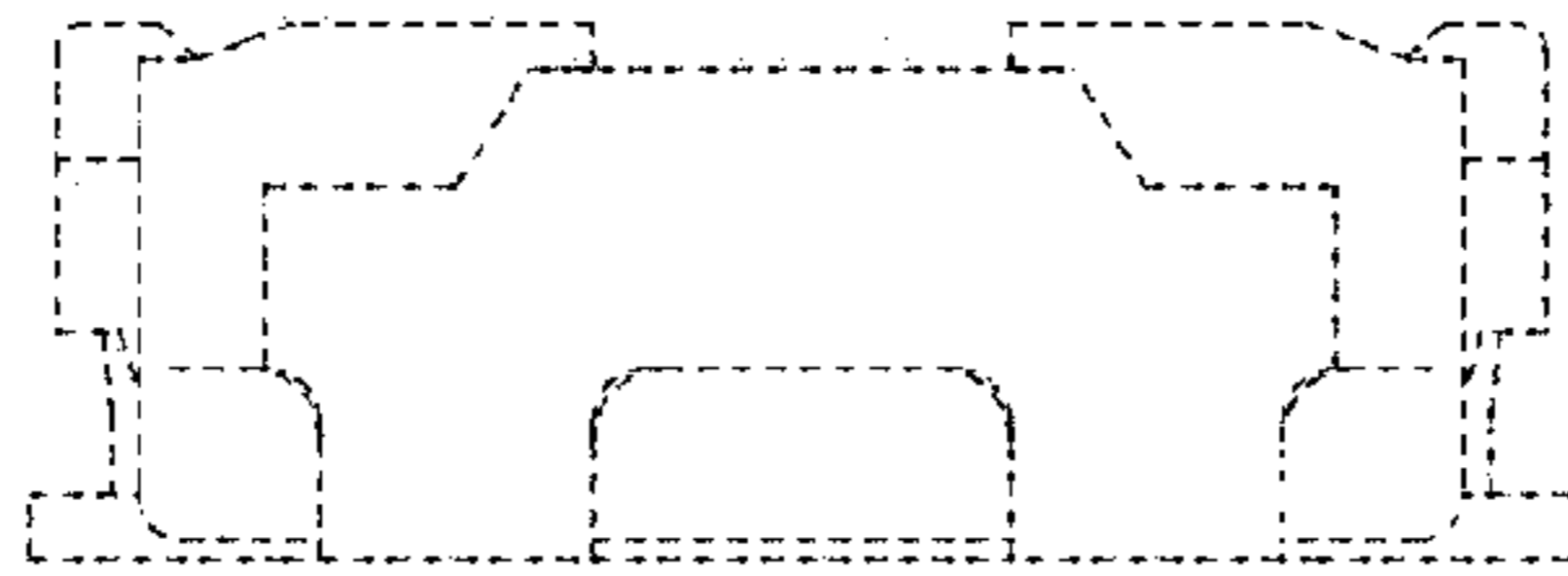


Fig.5

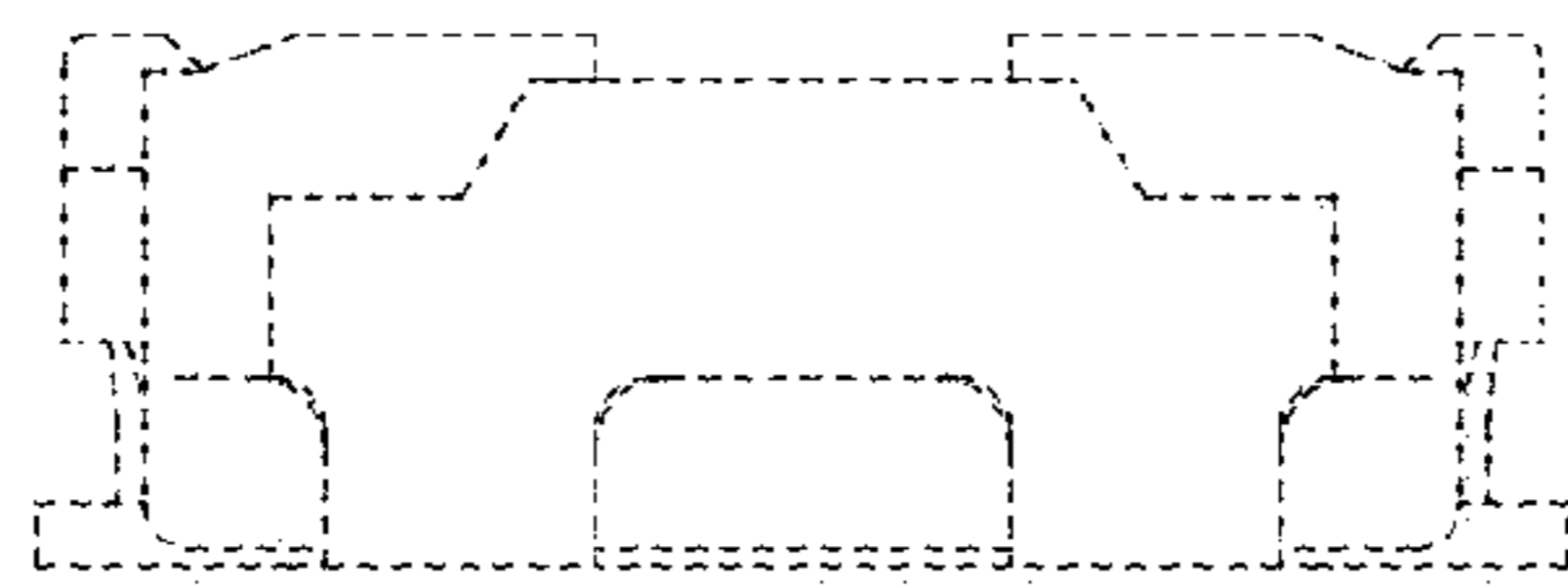


Fig.6

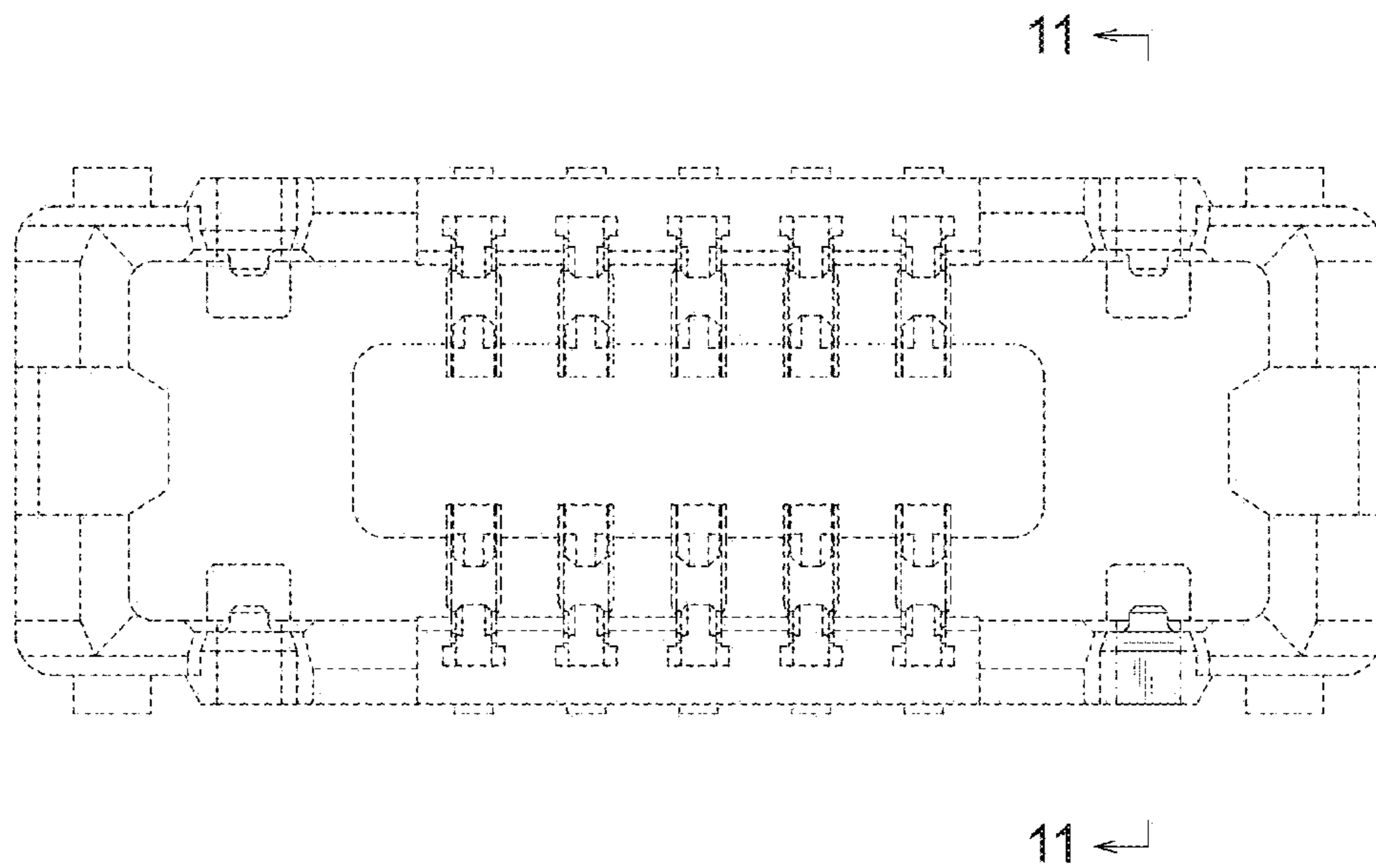


Fig.7

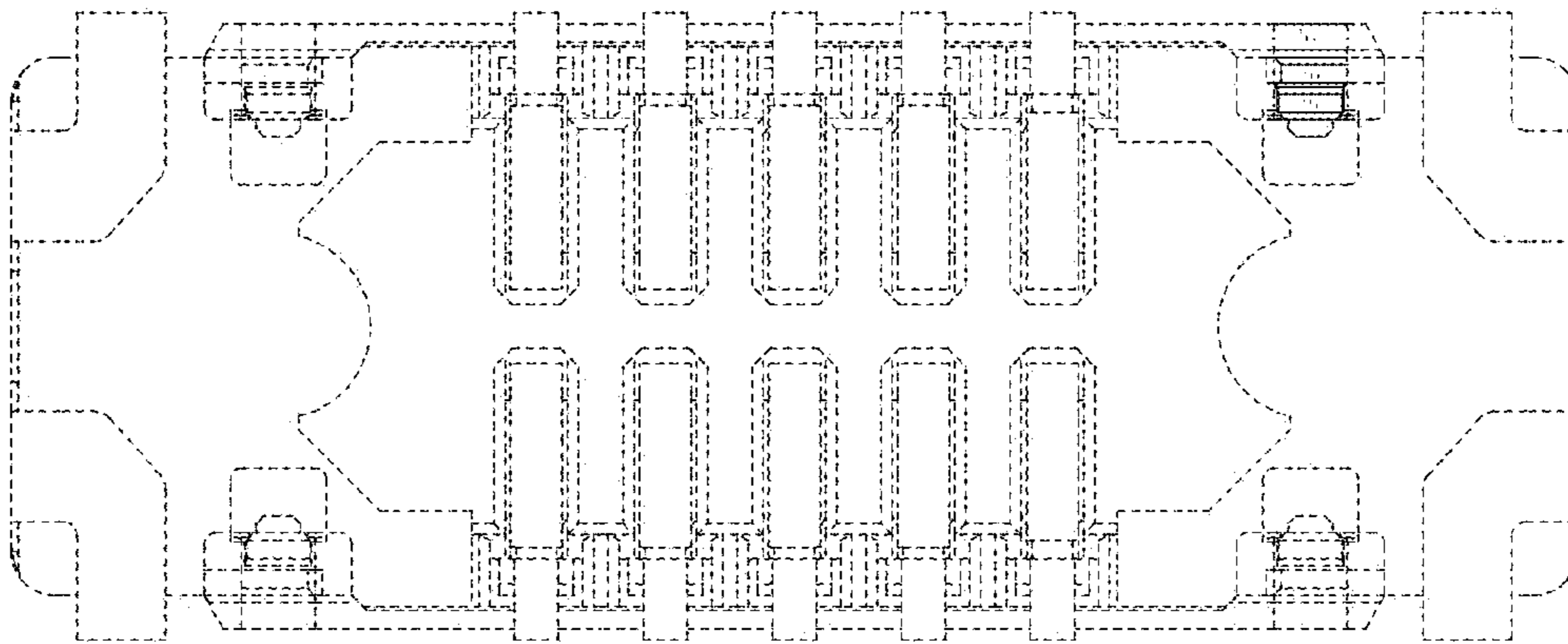


Fig.8

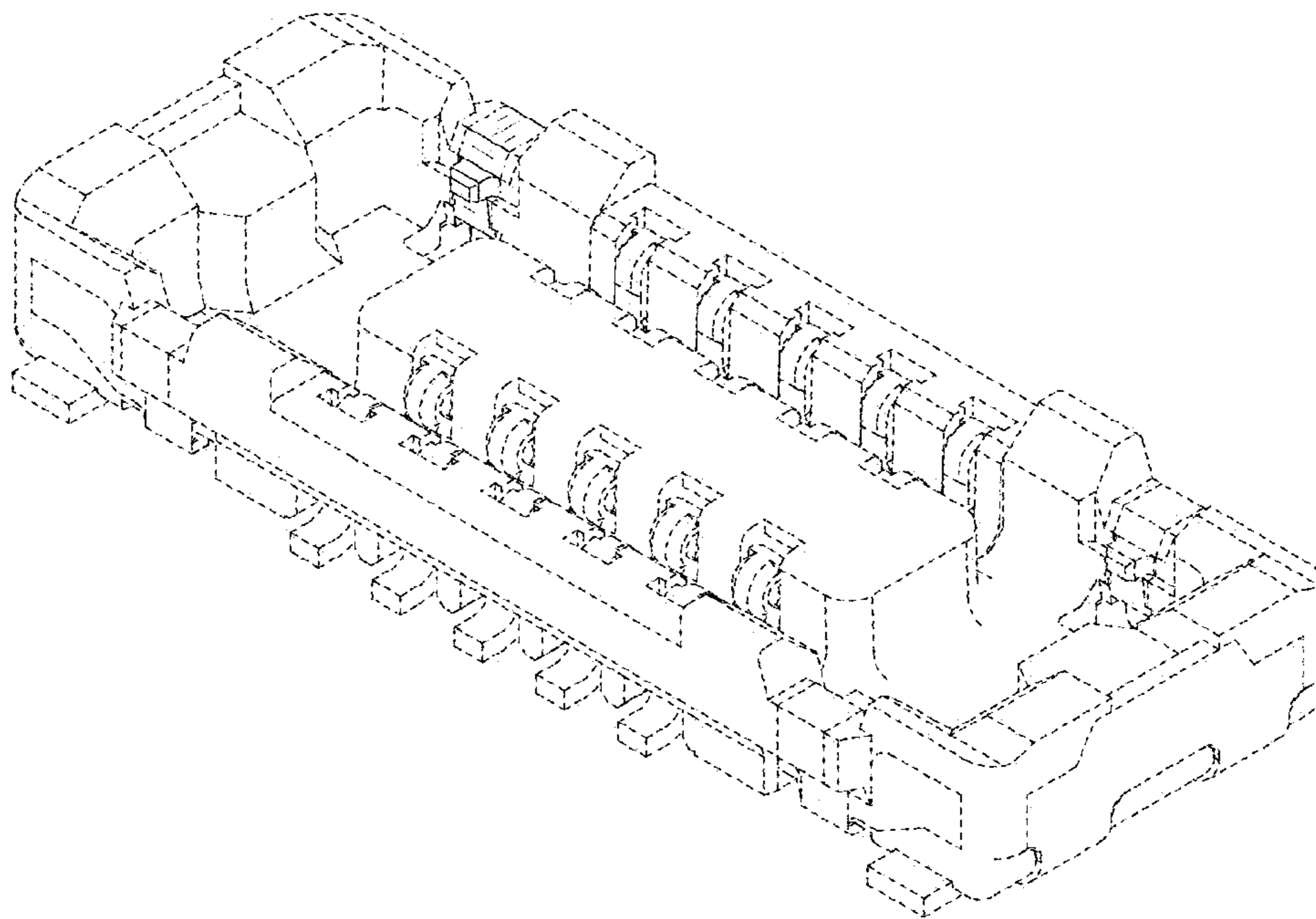


Fig.9

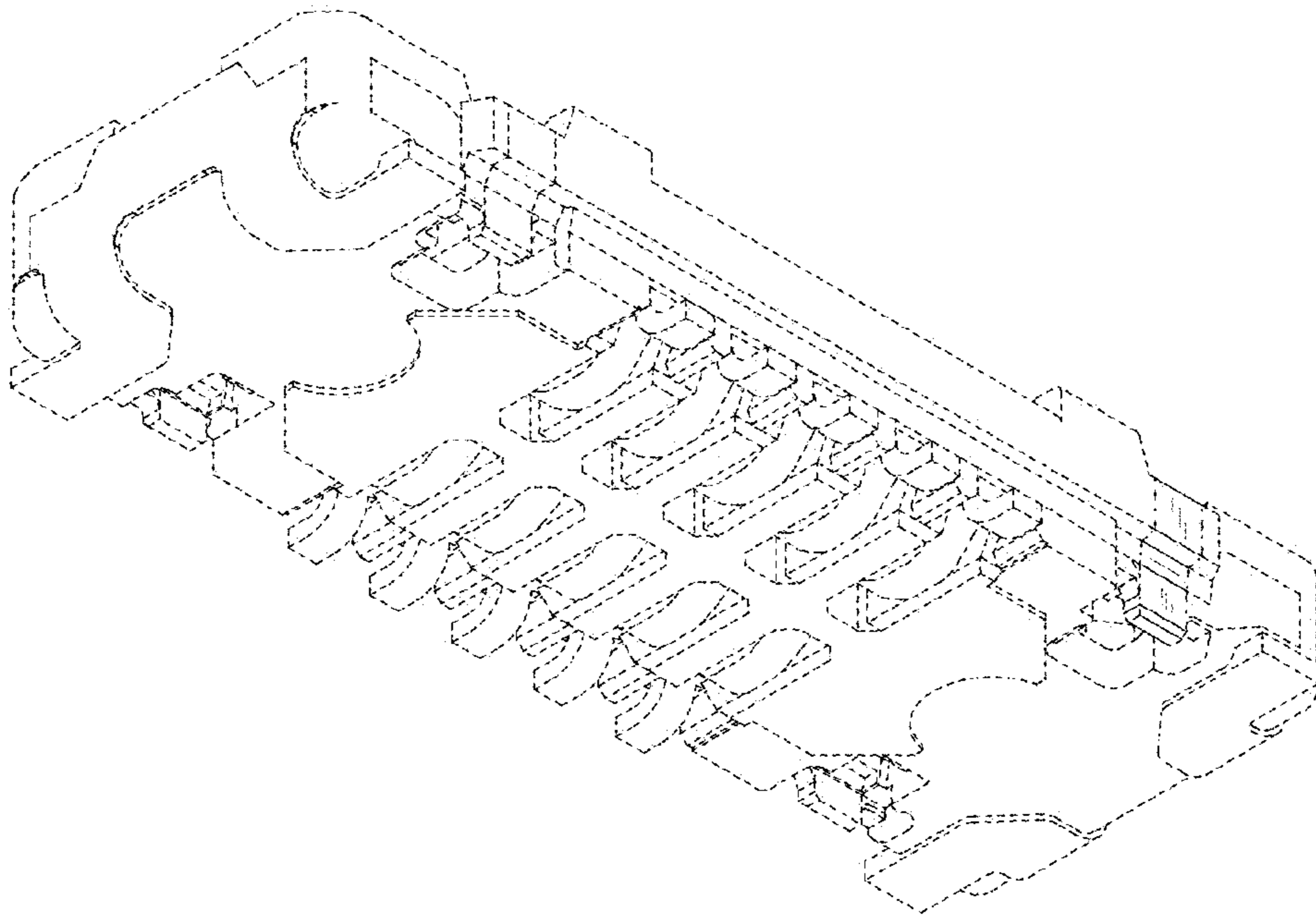


Fig. 10

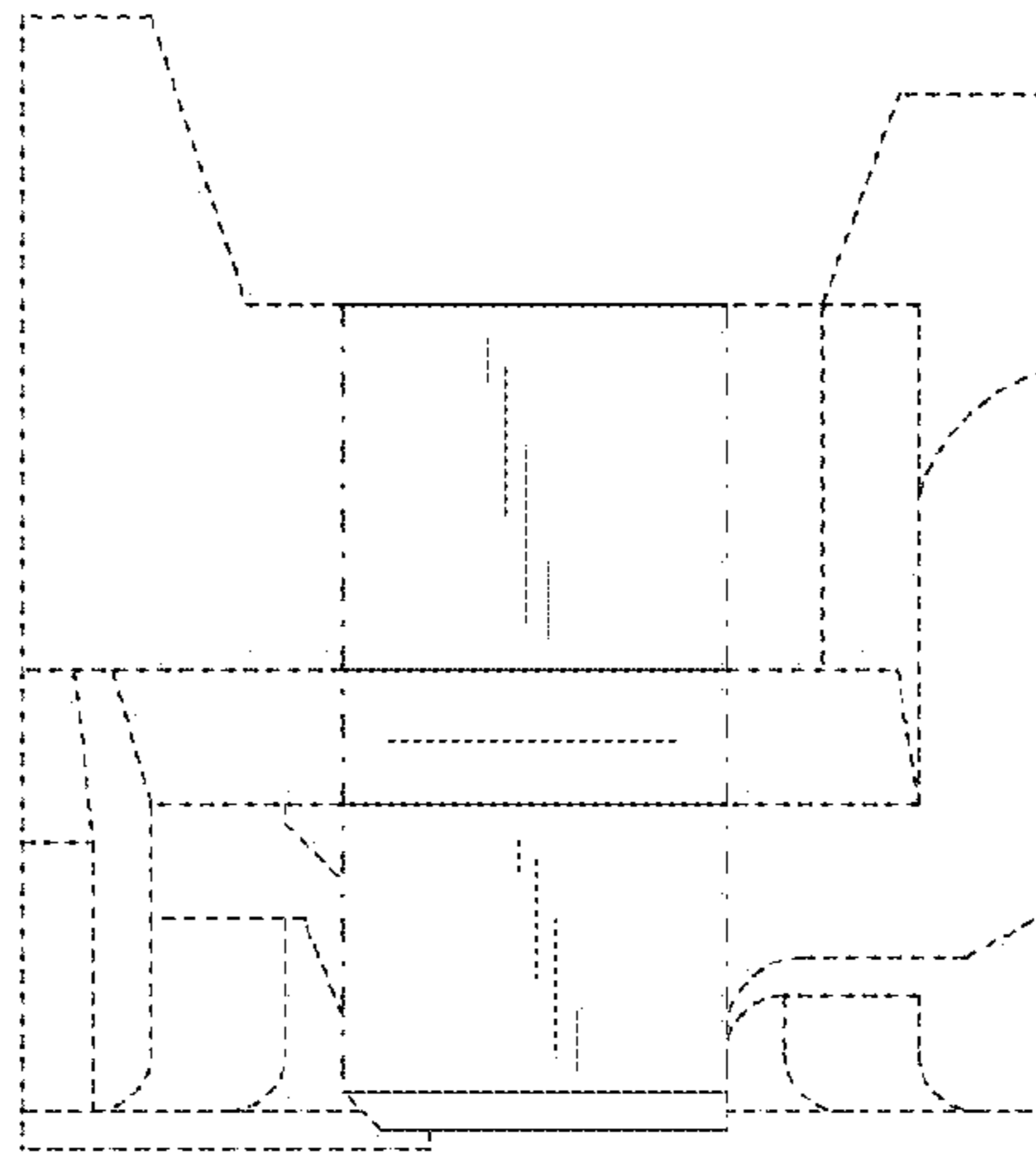


Fig. 11

