



US00D722972S

(12) **United States Design Patent**  
**Miyazaki**

(10) **Patent No.:** **US D722,972 S**

(45) **Date of Patent:** **\*\* Feb. 24, 2015**

(54) **CONNECTOR**

(71) Applicant: **Panasonic Corporation**, Kadoma-shi,  
Osaka (JP)

(72) Inventor: **Yoji Miyazaki**, Ise (JP)

(73) Assignee: **Panasonic Corporation**, Osaka (JP)

(\*\*) Term: **14 Years**

(21) Appl. No.: **29/489,704**

(22) Filed: **May 2, 2014**

(30) **Foreign Application Priority Data**

Nov. 8, 2013 (KR) ..... 2013-0056369

(51) **LOC (10) Cl.** ..... **13-03**

(52) **U.S. Cl.**  
USPC ..... **D13/147**

(58) **Field of Classification Search**  
USPC ..... D13/147, 154, 184, 199  
See application file for complete search history.

(56) **References Cited**

**U.S. PATENT DOCUMENTS**

D603,798 S *	11/2009	Obikane et al.	.....	D13/147
D684,120 S *	6/2013	Miyazaki et al.	.....	D13/147
D687,382 S *	8/2013	Miyazaki et al.	.....	D13/147
D687,383 S *	8/2013	Miyazaki et al.	.....	D13/147
D688,210 S *	8/2013	Mashiyama et al.	.....	D13/147

D691,960 S *	10/2013	Miyazaki et al.	.....	D13/147
D692,833 S *	11/2013	Nishimura et al.	.....	D13/147
D695,691 S *	12/2013	Kobuchi et al.	.....	D13/147
D703,146 S *	4/2014	Takenaga et al.	.....	D13/147

\* cited by examiner

*Primary Examiner* — Daniel Bui

(74) *Attorney, Agent, or Firm* — Marvin A. Motsenbocker;  
Mots Law. PLLC

(57) **CLAIM**

The ornamental design for a connector, as shown and described.

**DESCRIPTION**

FIG. 1 is a front, top perspective view of a connector showing my new design;

FIG. 2 is a front elevation view thereof;

FIG. 3 is a rear elevation view thereof;

FIG. 4 is a left side elevation view thereof;

FIG. 5 is a right side elevation view thereof;

FIG. 6 is a top plan view thereof;

FIG. 7 is a bottom plan view thereof;

FIG. 8 is a reference front bottom perspective view thereof; and,

FIG. 9 is a reference sectional view thereof taken along line 9-9 in FIG. 6.

In the figure drawings, the even-broken line is included for the purpose of illustrating environment and forms no part of the claimed design. The dash-dot line represents the boundary of the claimed design.

**1 Claim, 9 Drawing Sheets**

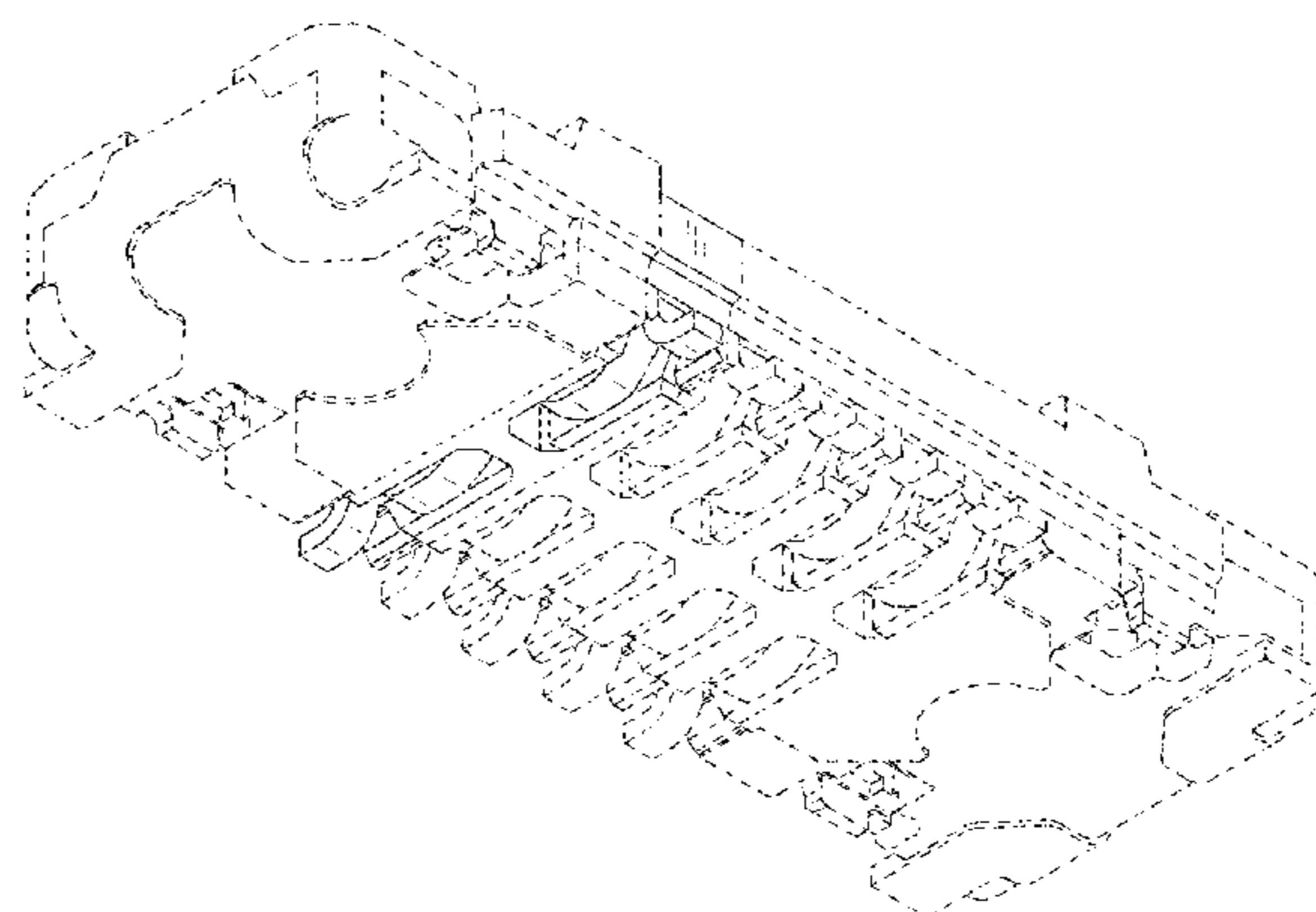
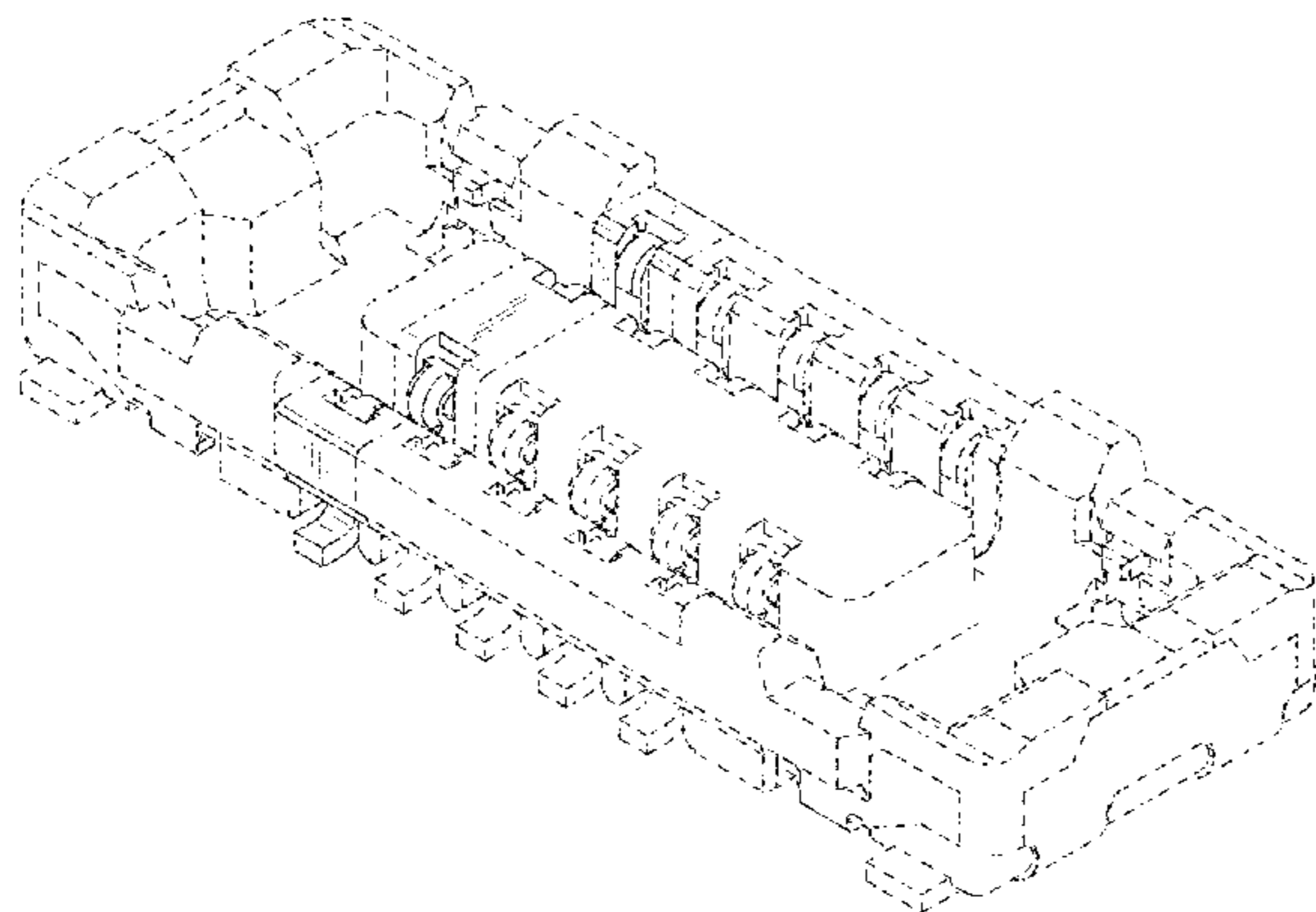


Fig. 1

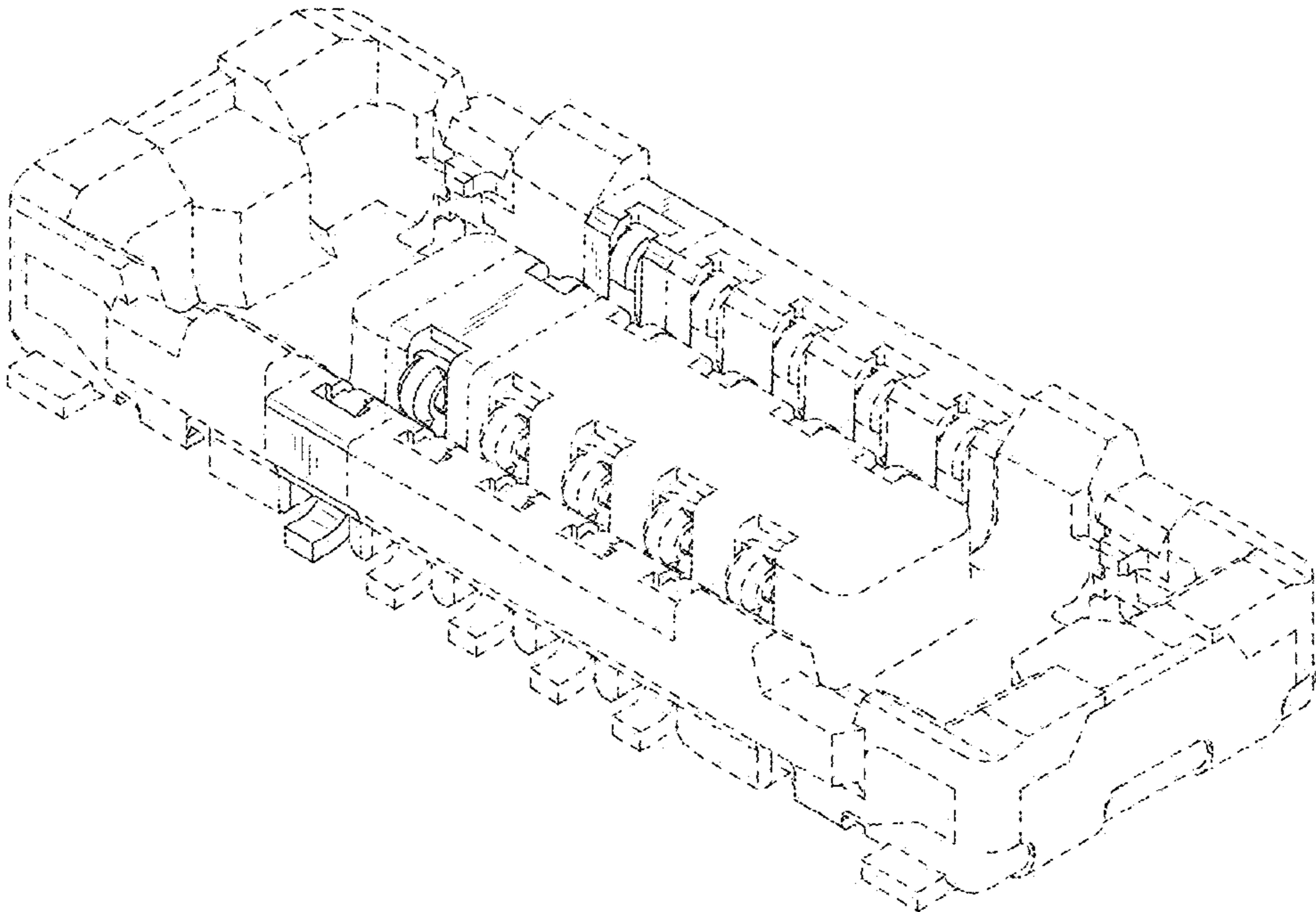


Fig.2

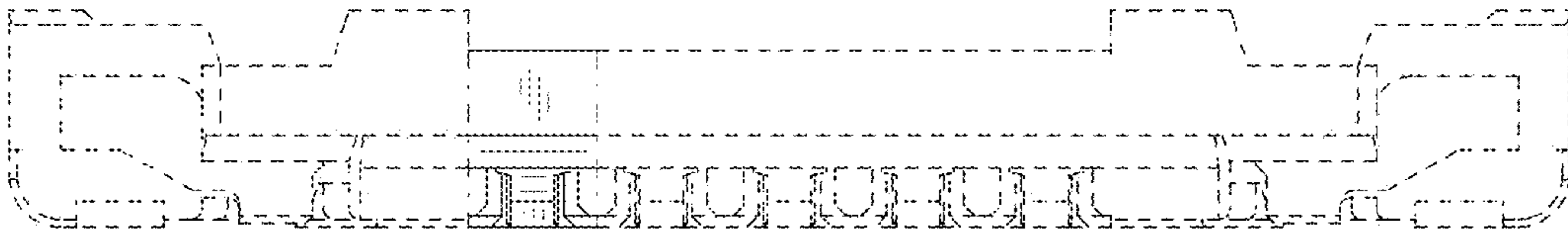


Fig.3

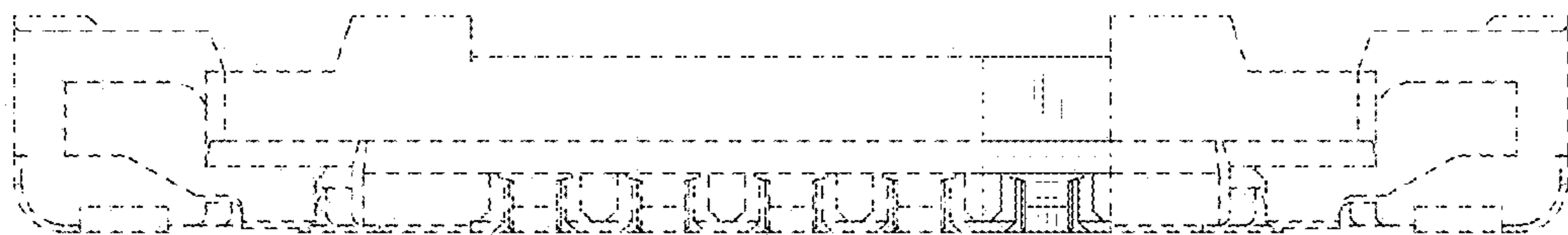


Fig.4

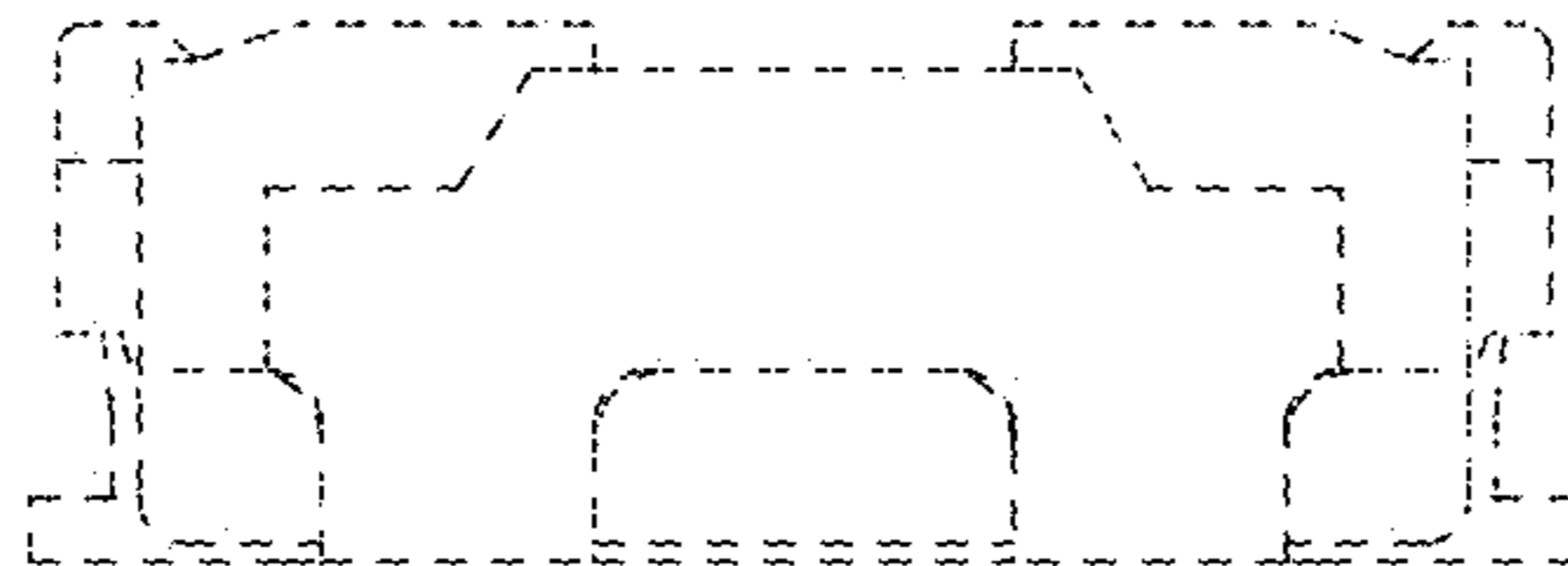


Fig.5

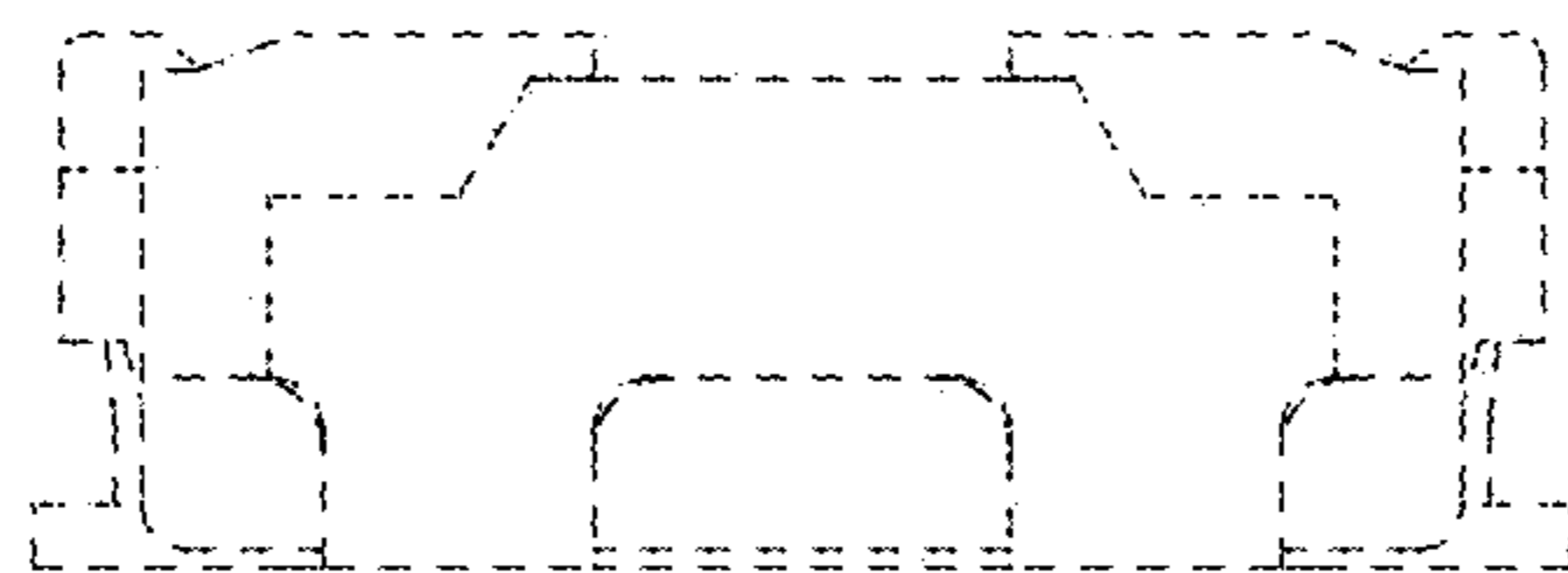


Fig.6

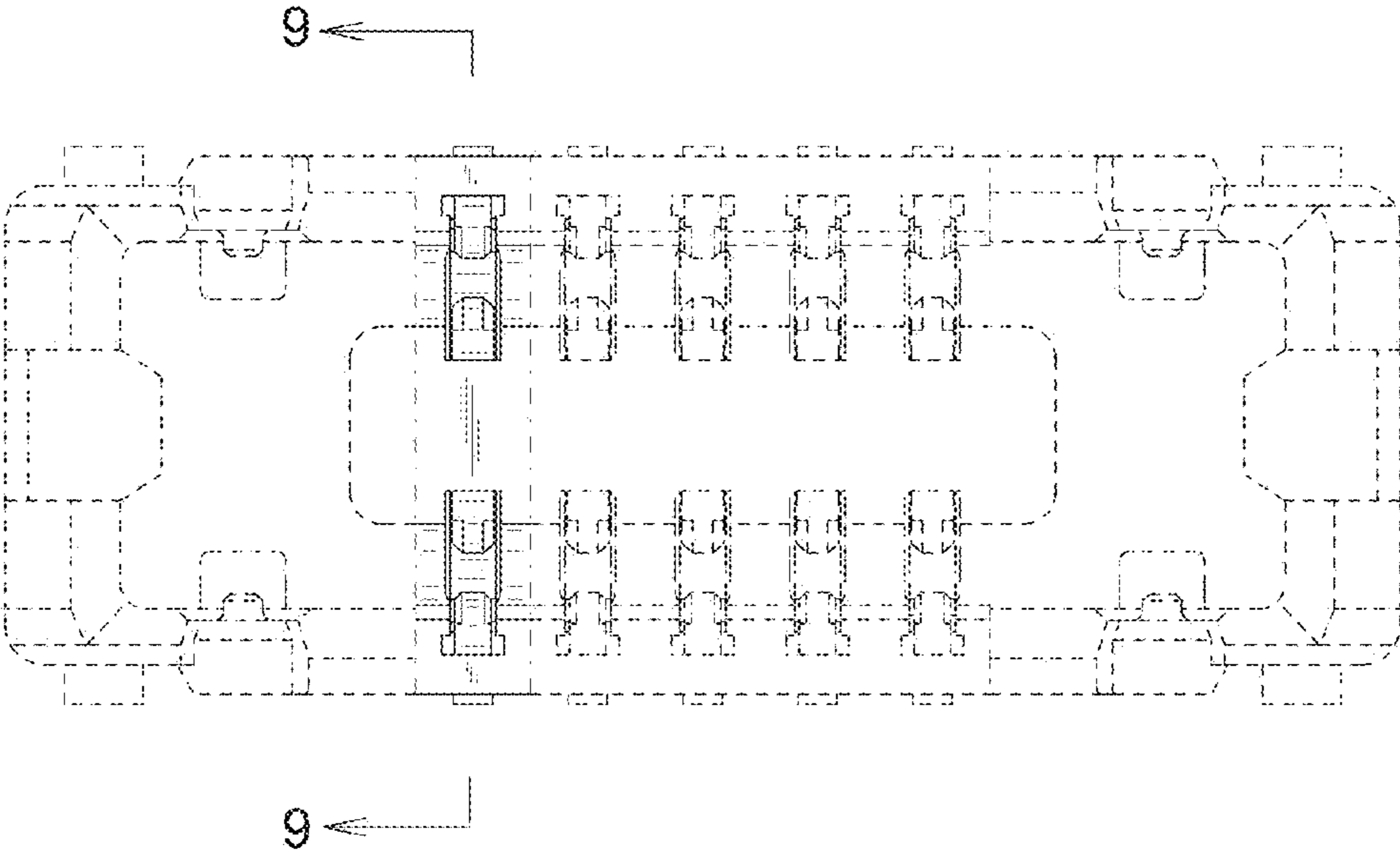


Fig.7

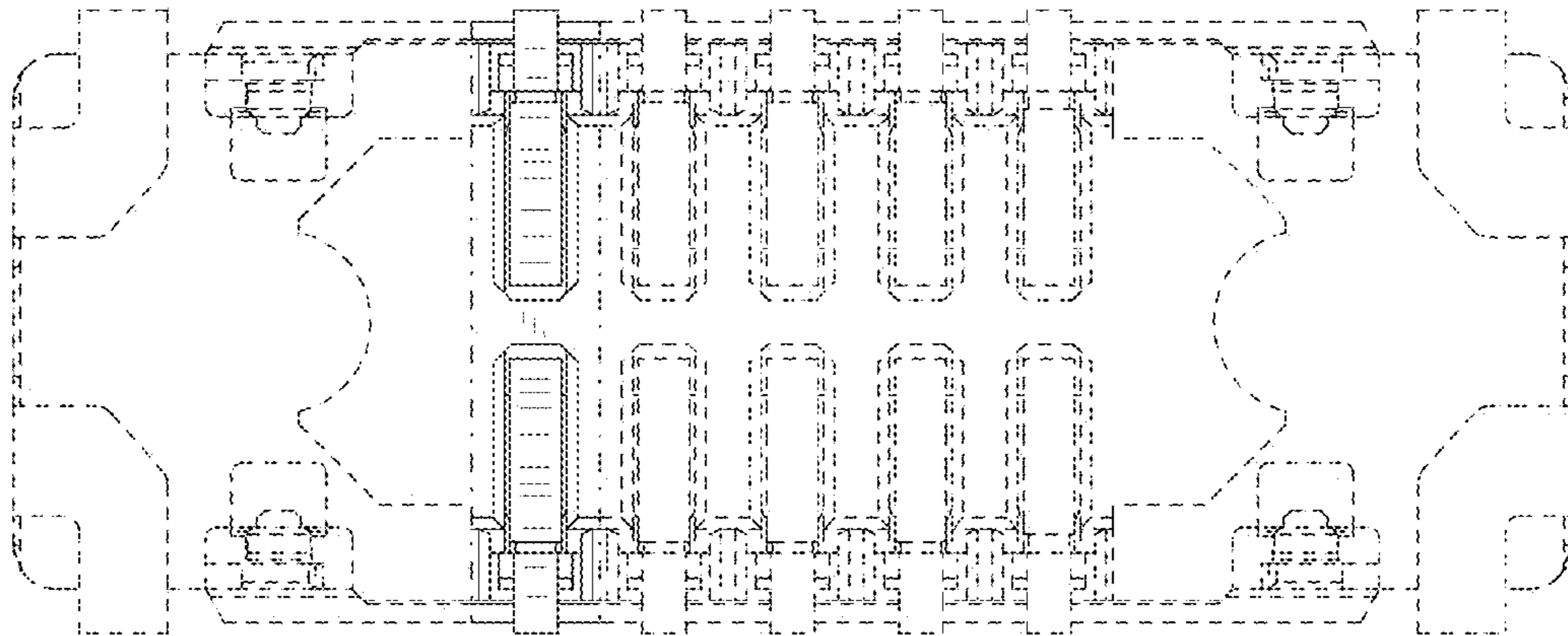




Fig.8

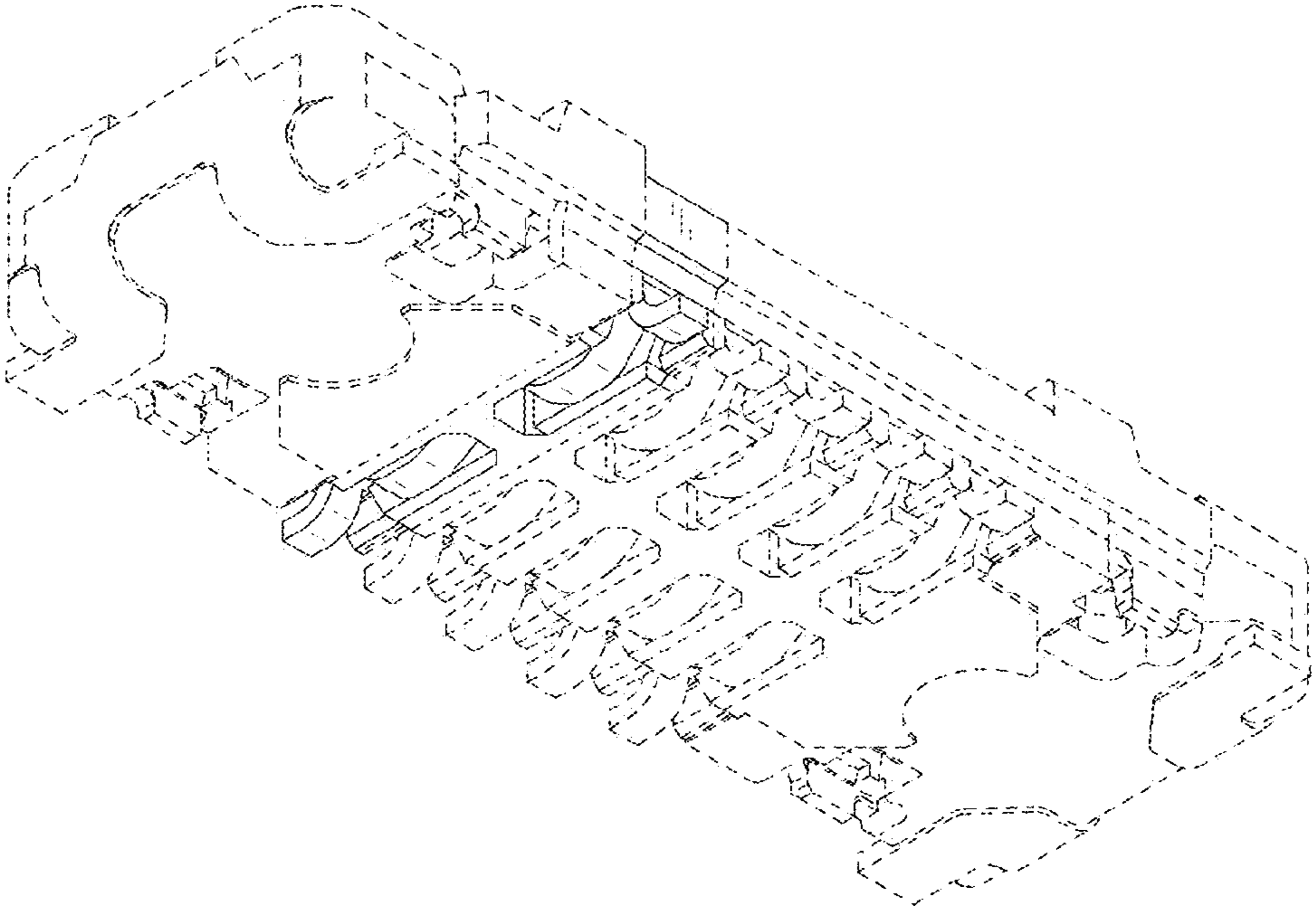


Fig.9

