



US00D722971S

(12) **United States Design Patent**
Smith

(10) **Patent No.:** **US D722,971 S**

(45) **Date of Patent:** **** Feb. 24, 2015**

(54) **MALE POWER CONNECTOR HOUSING**

DESCRIPTION

- (71) Applicant: **IDEAL Industries, Inc.**, Sycamore, IL (US)
- (72) Inventor: **Nathan T. Smith**, Worcester, MA (US)
- (73) Assignee: **IDEAL Industries, Inc.**, Sycamore, IL (US)
- (**) Term: **14 Years**
- (21) Appl. No.: **29/481,106**
- (22) Filed: **Jan. 31, 2014**
- (51) **LOC (10) Cl.** **13-03**
- (52) **U.S. Cl.**
USPC **D13/147**
- (58) **Field of Classification Search**
USPC D13/147, 154, 184, 199
See application file for complete search history.

FIG. 1 is a front perspective view of a first embodiment of a male power connector housing, showing my new design; FIG. 2 is a rear perspective view thereof; FIG. 3 is a top plan view thereof; FIG. 4 is a bottom plan view thereof; FIG. 5 is a left side elevation view thereof; FIG. 6 is a right side elevation view thereof; FIG. 7 is a rear elevation view thereof; FIG. 8 is a front elevation view thereof; FIG. 9 is a front perspective view of a second embodiment of a male power connector housing, showing my new design; FIG. 10 is a front perspective view of a third embodiment of a male power connector housing, showing my new design; FIG. 11 is a front perspective view of a fourth embodiment of a male power connector housing, showing my new design; FIG. 12 is a front perspective view of a fifth embodiment of a male power connector housing, showing my new design; FIG. 13 is a front perspective view of a sixth embodiment of a male power connector housing, showing my new design; FIG. 14 is a front perspective view of a seventh embodiment of a male power connector housing, showing my new design; FIG. 15 is a front perspective view of an eighth embodiment of a male power connector housing, showing my new design; FIG. 16 is a front perspective view of a ninth embodiment of a male power connector housing, showing my new design; FIG. 17 is a front perspective view of a tenth embodiment of a male power connector housing, showing my new design; and, FIG. 18 is a front perspective view of a eleventh embodiment of a male power connector housing, showing my new design. The rear elevation view, the top plan view, the bottom plan view, the left side elevation view, and the right side elevation view of embodiments 2, 3, 4, 5, 6, 7, 8, 9, 10 and 11 are the same as that of in embodiment 1, with only difference of the location of 2 small tabs as shown in each embodiment's front elevation view. The broken line in the drawing view represents unclaimed environment only and forms no part of the claimed design.

(56) **References Cited**

U.S. PATENT DOCUMENTS

| | | | | |
|--------------|---------|--------------------|-------|---------|
| D188,419 S * | 7/1960 | Danesi | | D13/146 |
| D251,491 S * | 4/1979 | Snyder et al. | | D13/146 |
| D472,523 S * | 4/2003 | Hansen | | D13/146 |
| D478,549 S * | 8/2003 | Porzelt | | D13/146 |
| D560,610 S * | 1/2008 | McCoy | | D13/146 |
| D639,743 S * | 6/2011 | Smith et al. | | D13/146 |
| D639,744 S * | 6/2011 | Smith et al. | | D13/146 |
| D694,189 S * | 11/2013 | Ledinger et al. | | D13/146 |
| D697,030 S * | 1/2014 | Ledinger et al. | | D13/146 |
| D698,730 S * | 2/2014 | Hori et al. | | D13/146 |
| D702,189 S * | 4/2014 | Kagelmacher et al. | | D13/146 |

* cited by examiner

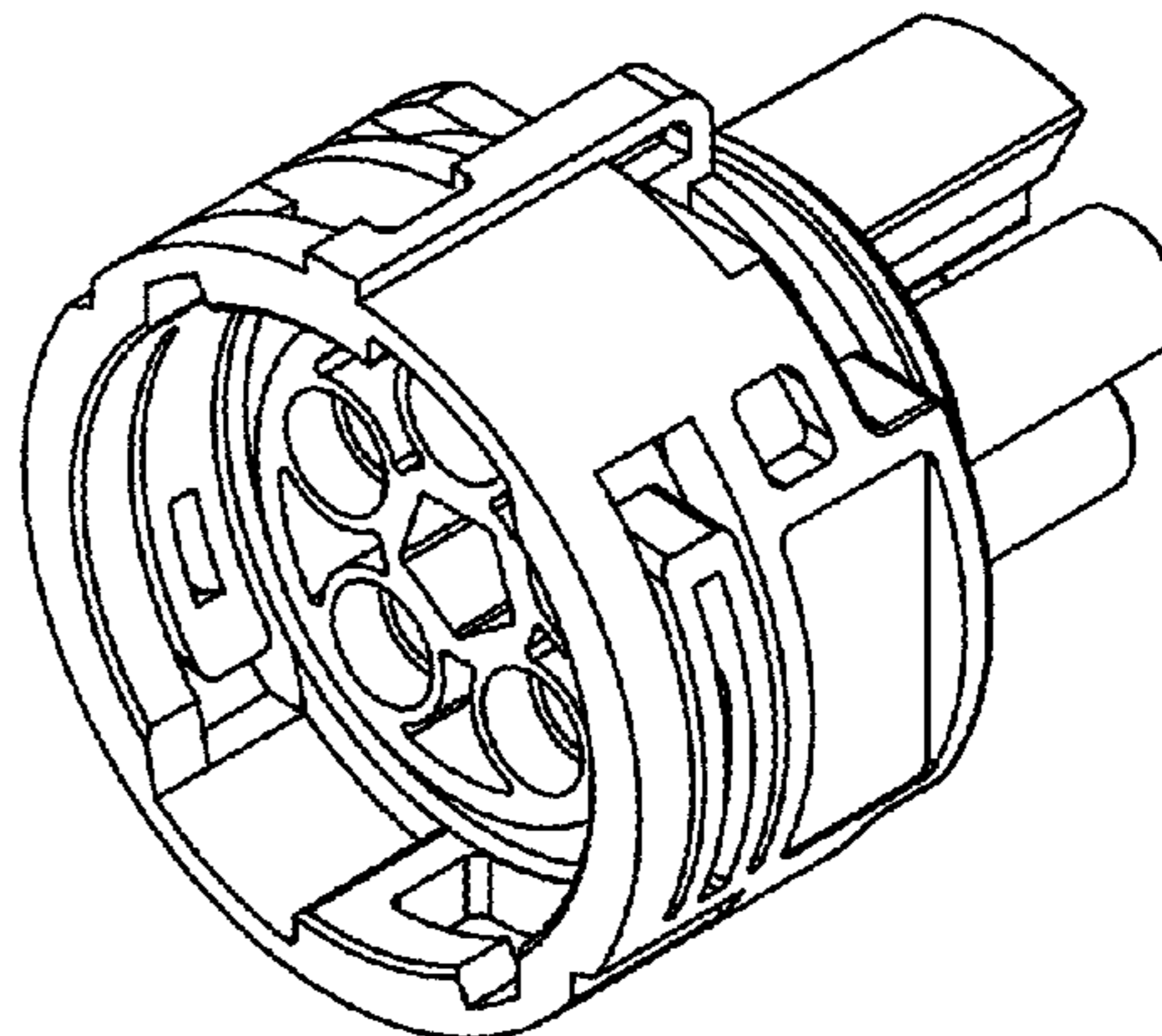
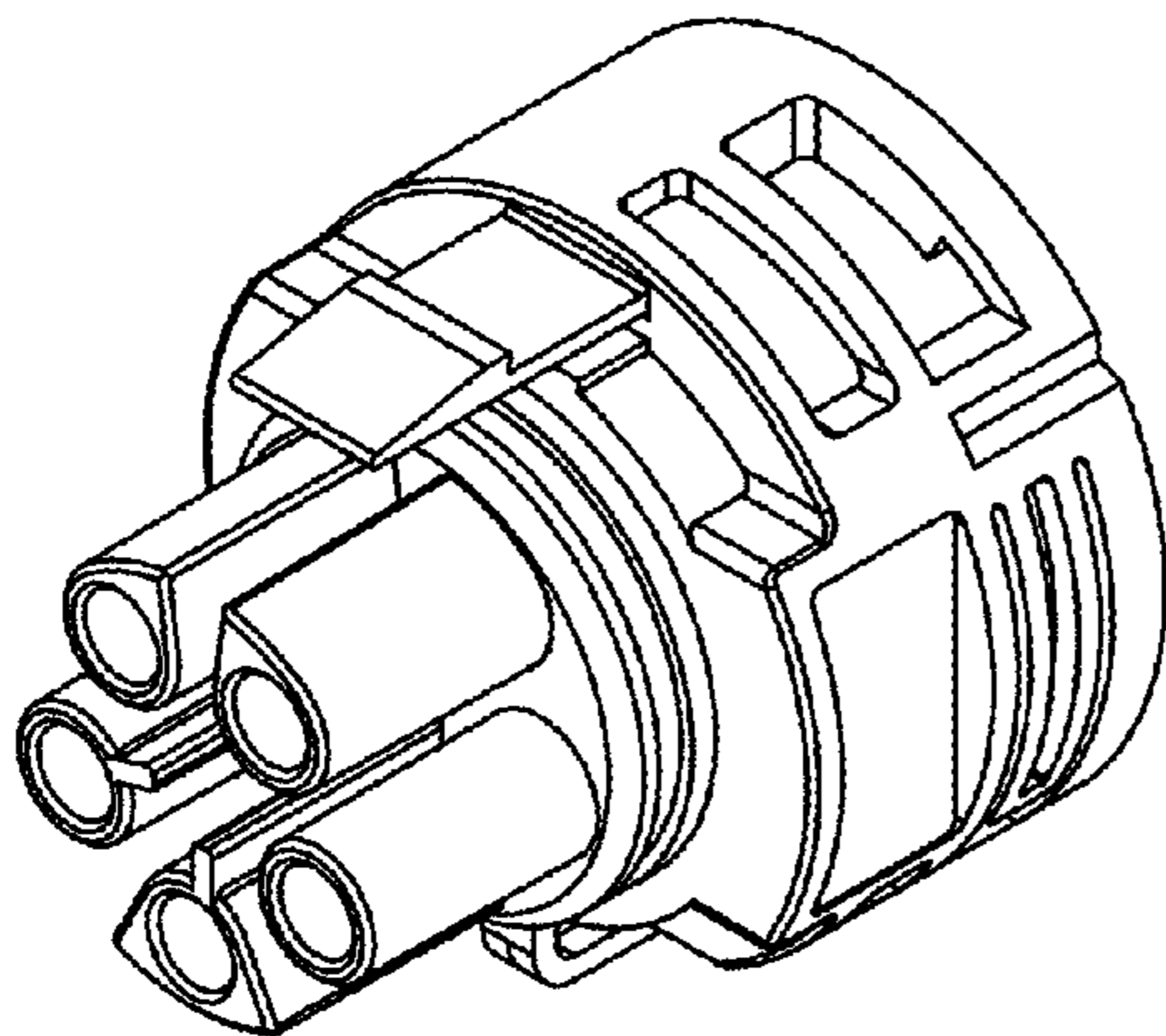
Primary Examiner — Daniel Bui

(74) *Attorney, Agent, or Firm* — Greenberg Traurig, LLP

(57) **CLAIM**

The ornamental design for a male power connector housing, as shown and described.

1 Claim, 18 Drawing Sheets



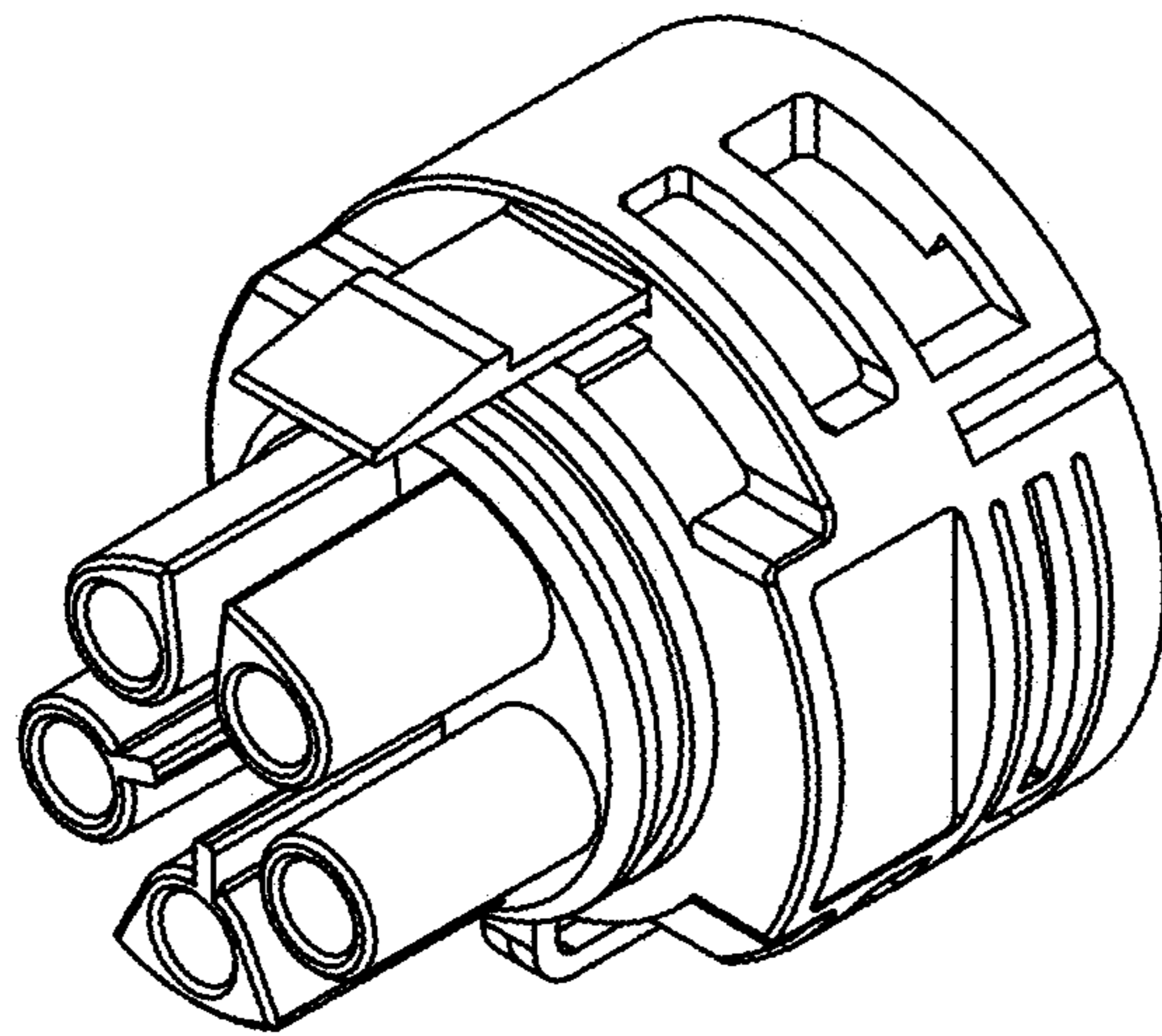


FIG. 1

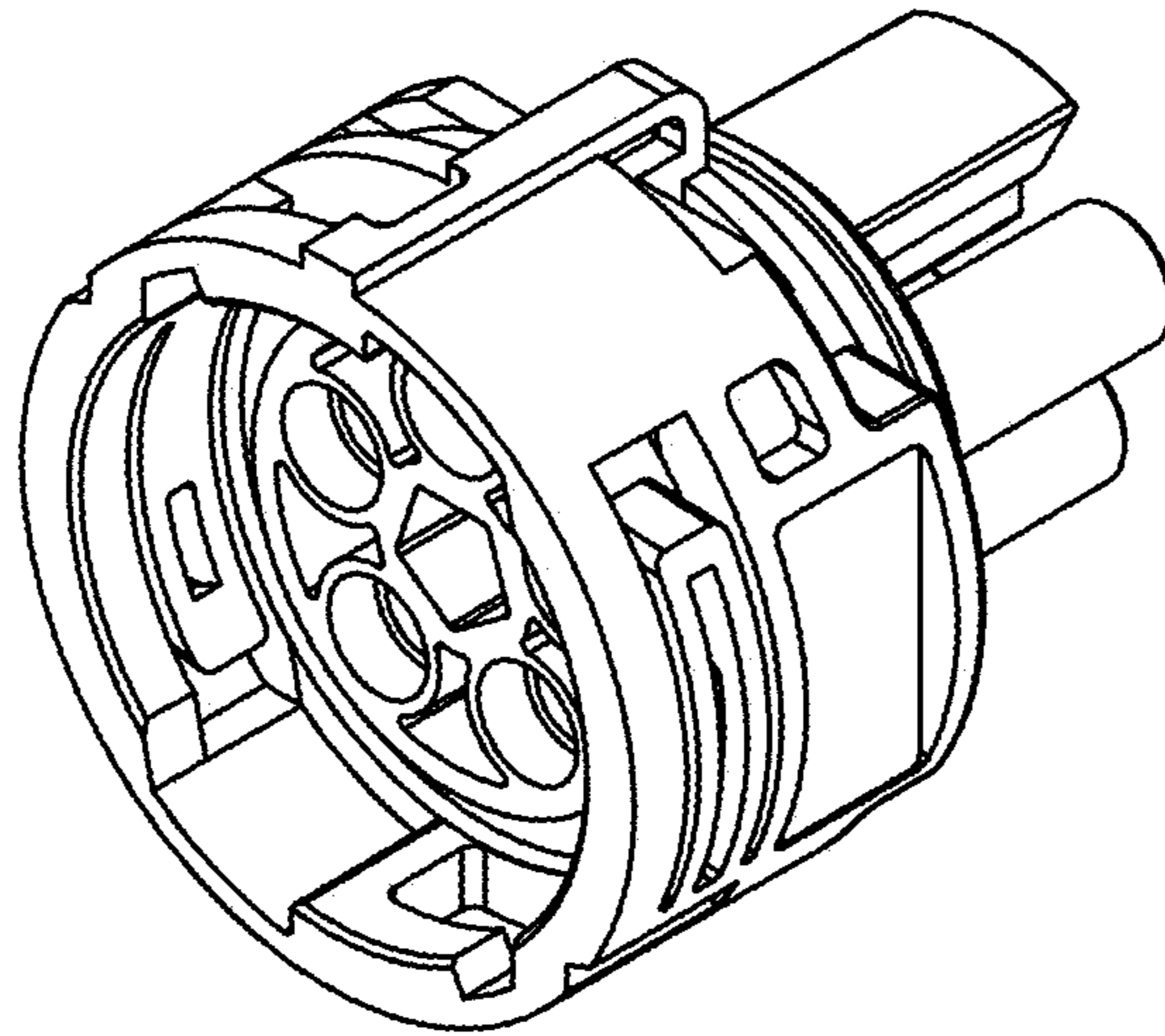


FIG. 2

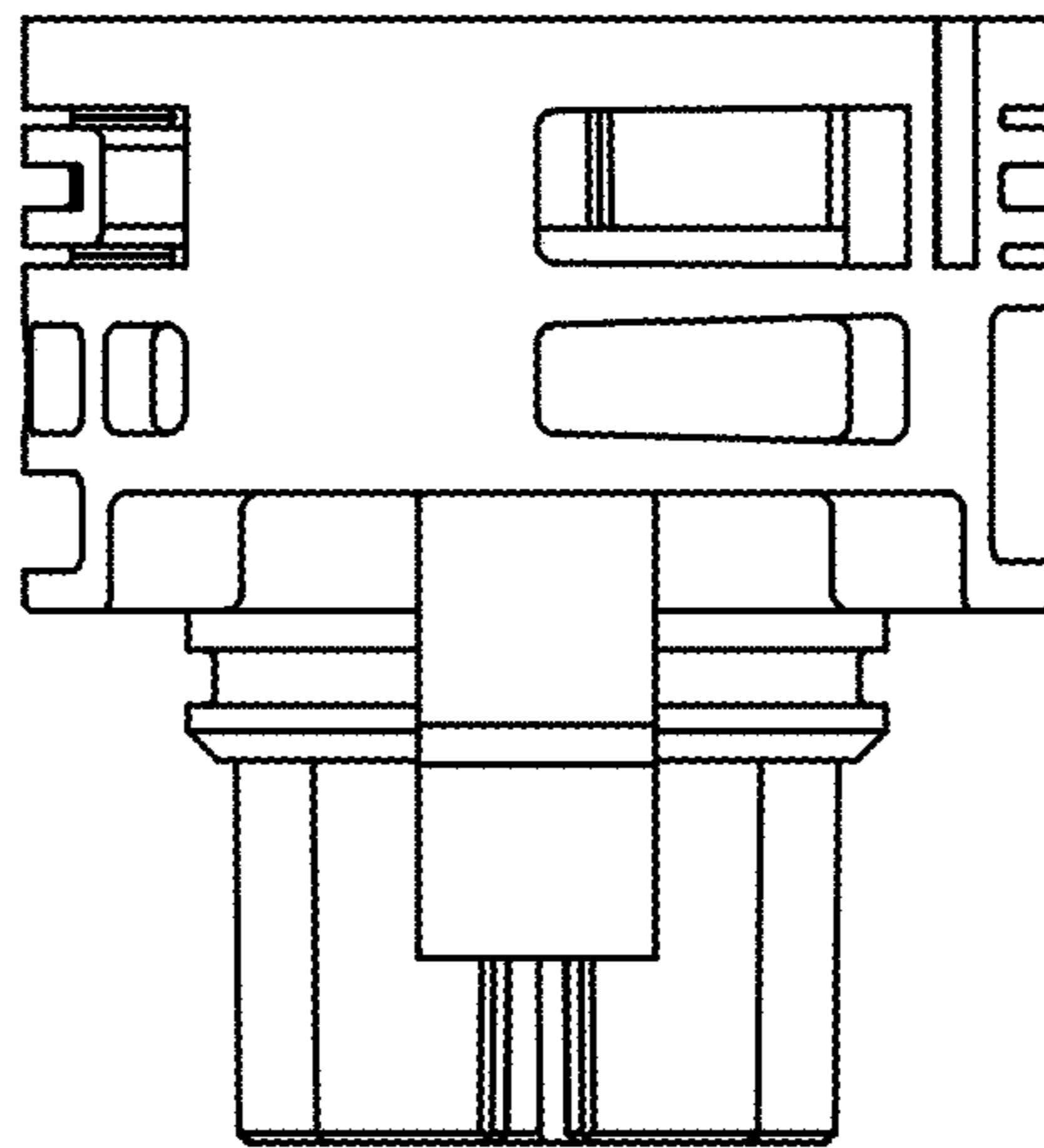


FIG. 3

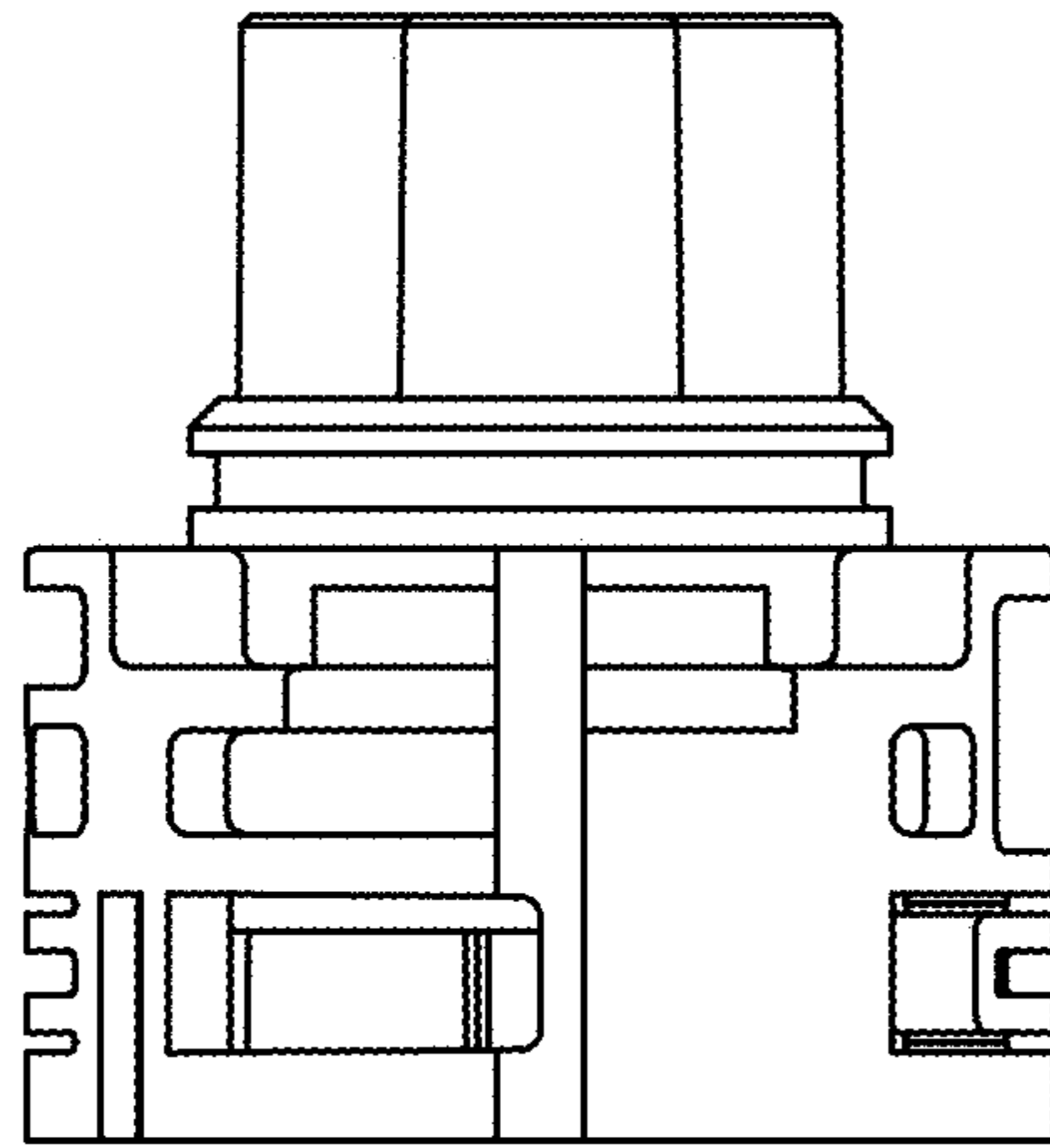


FIG. 4

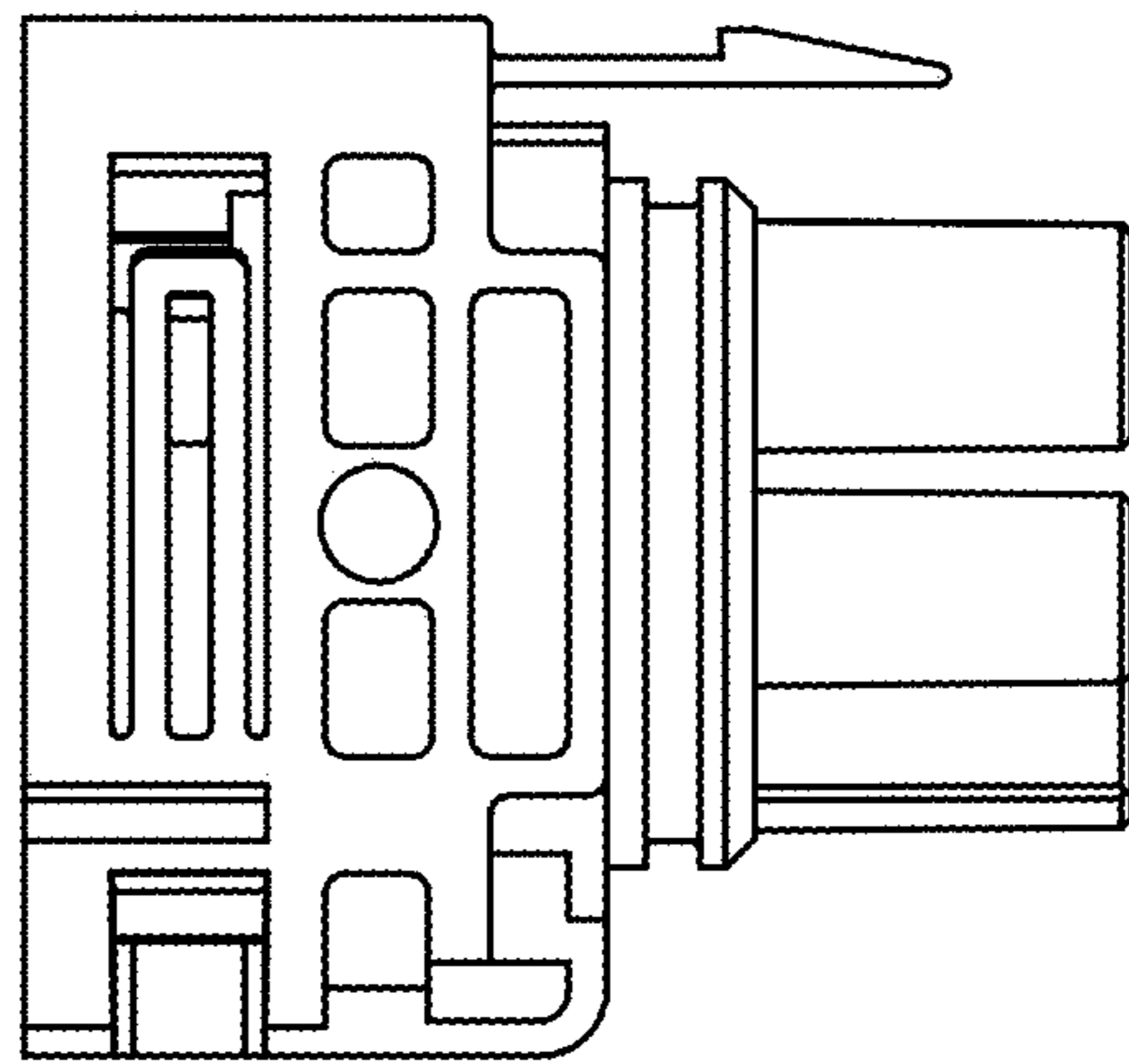


FIG. 5

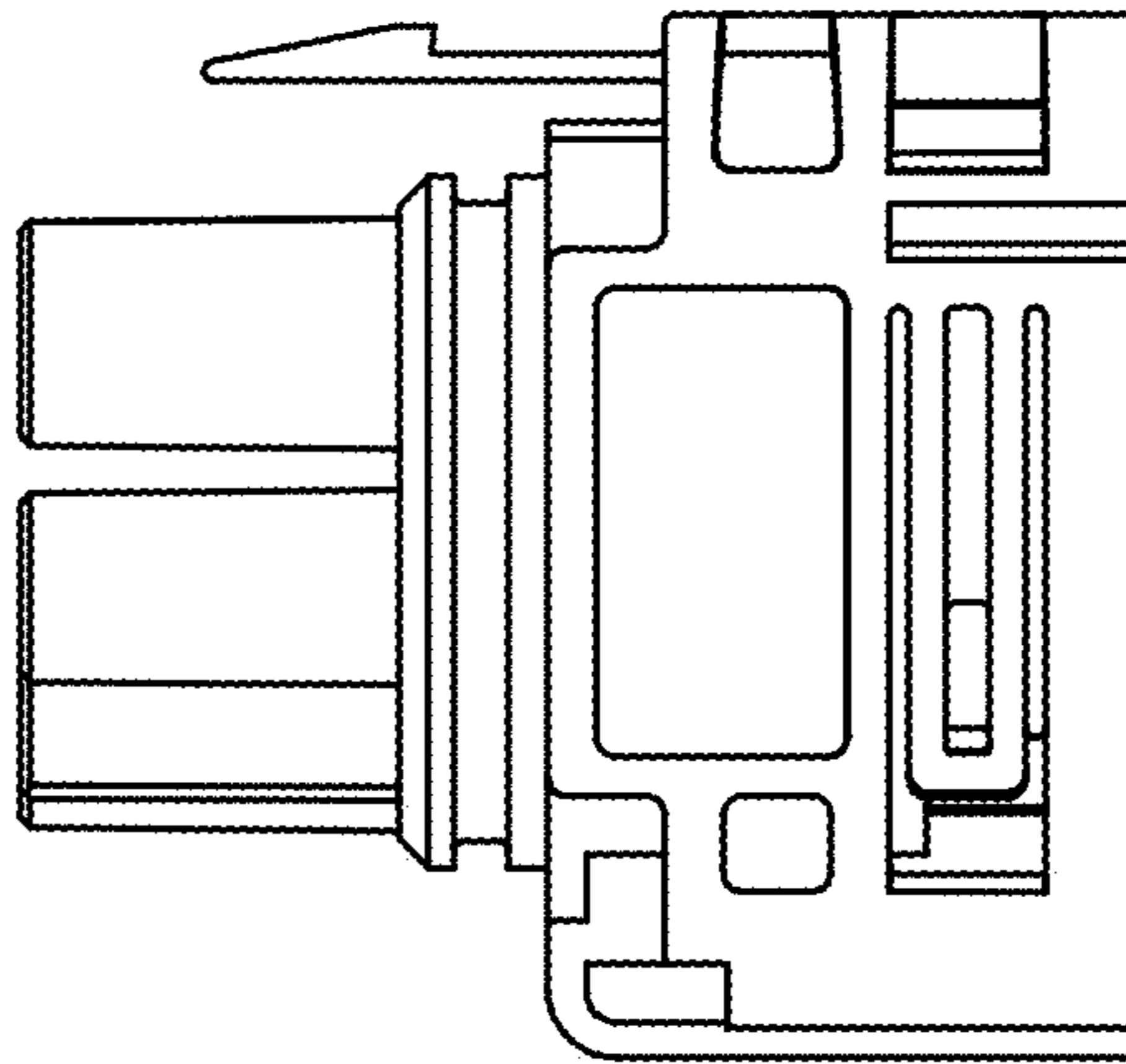


FIG. 6

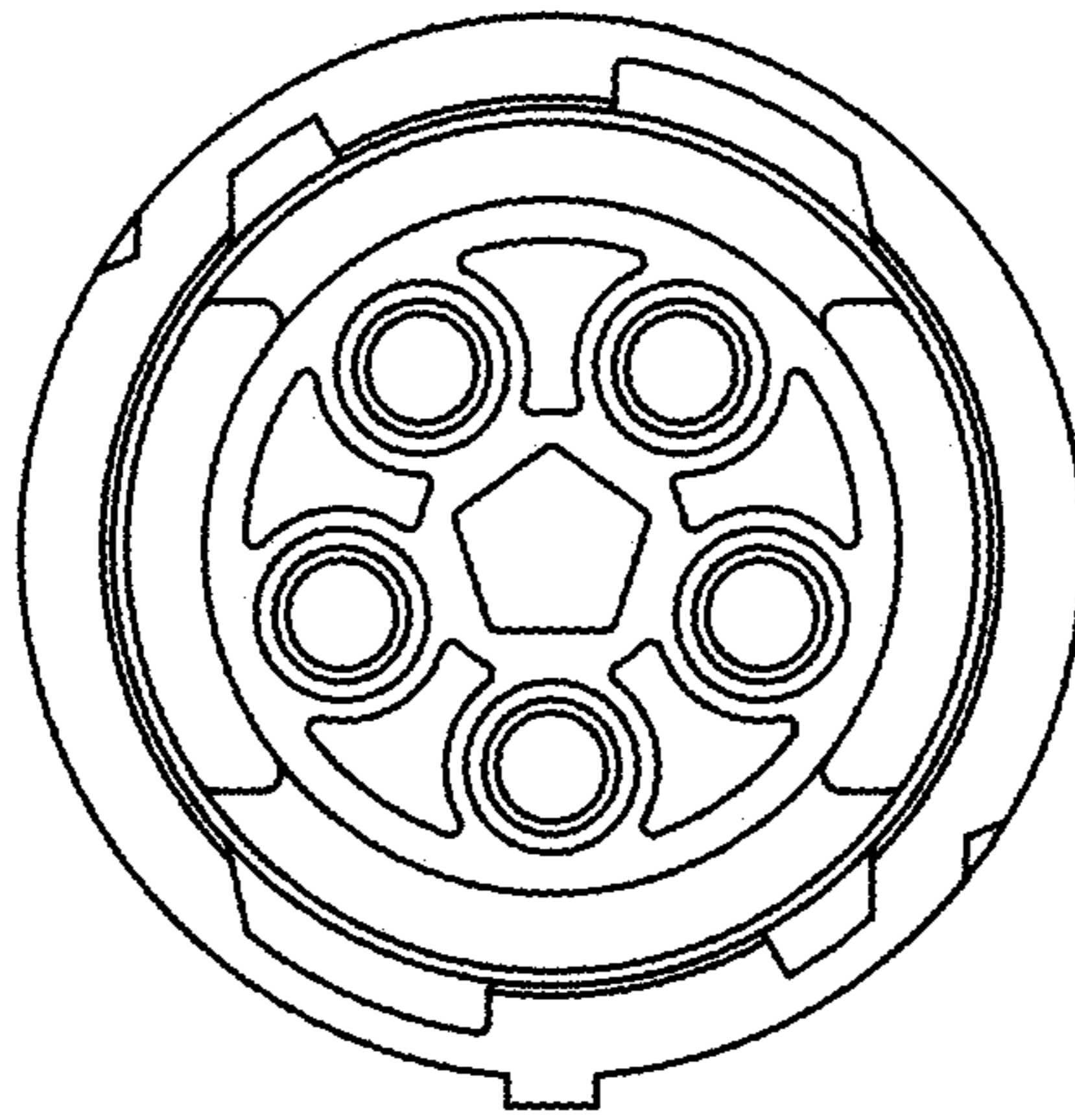


FIG. 7

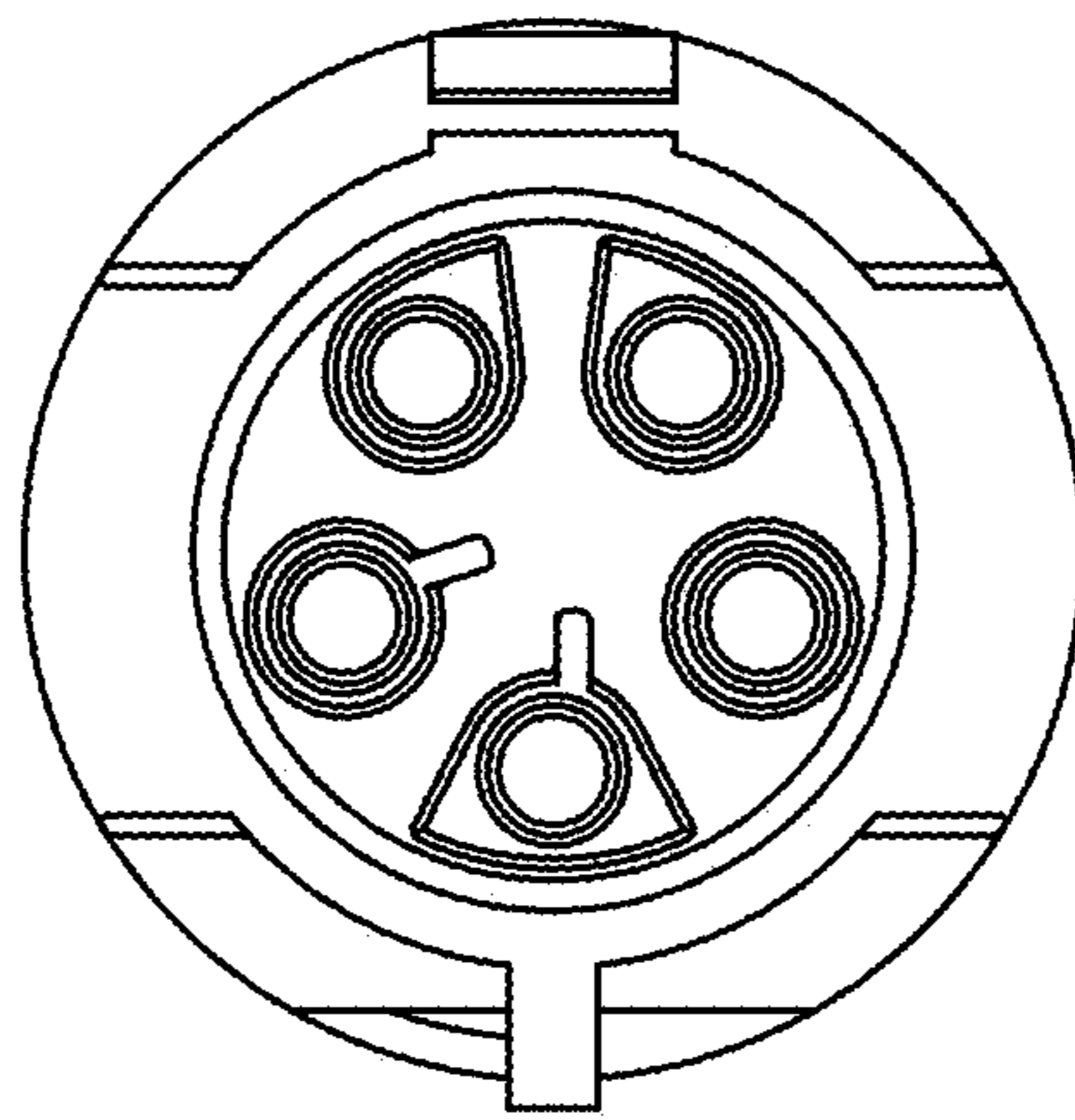


FIG. 8

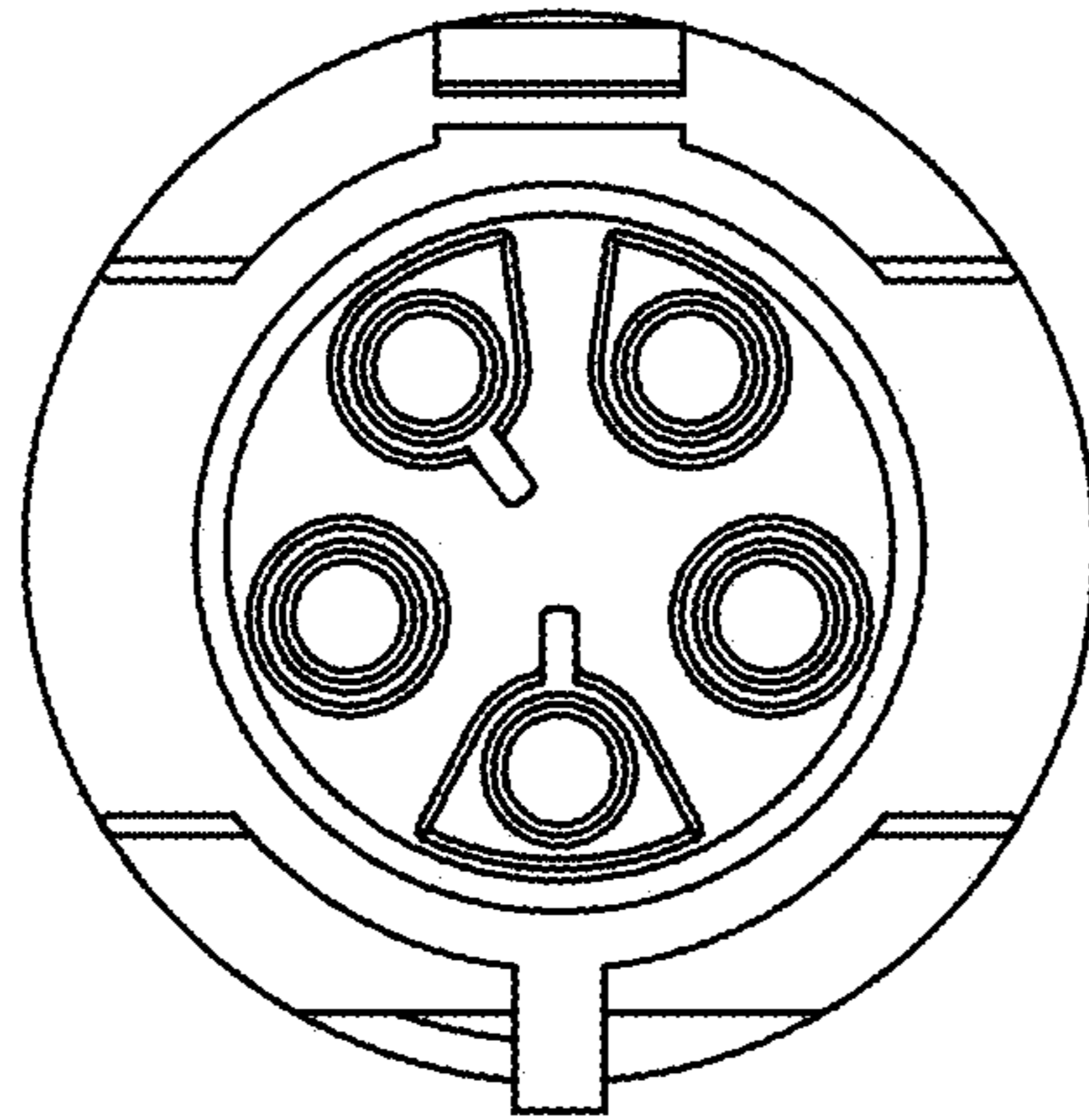


FIG. 9

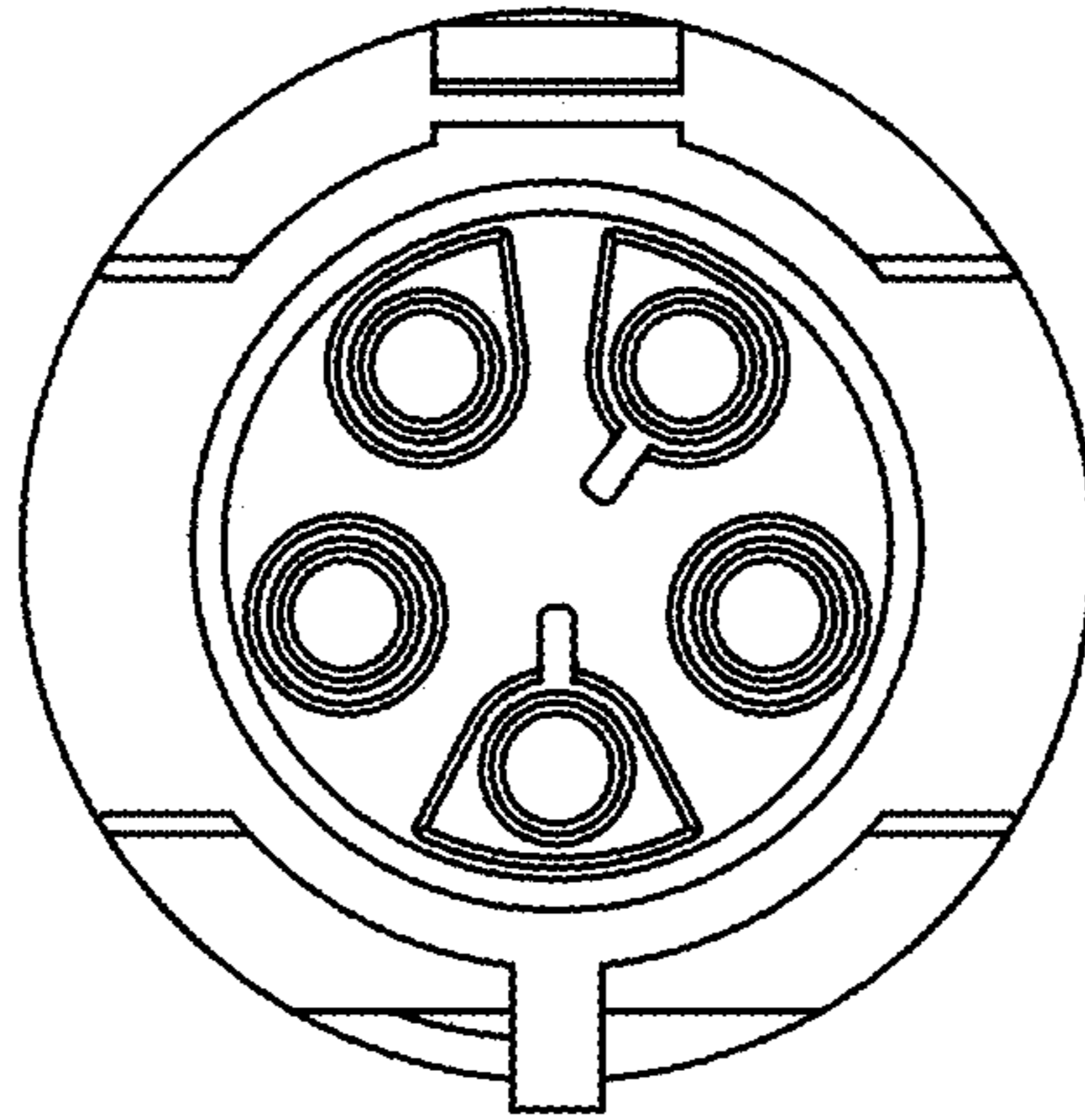


FIG. 10

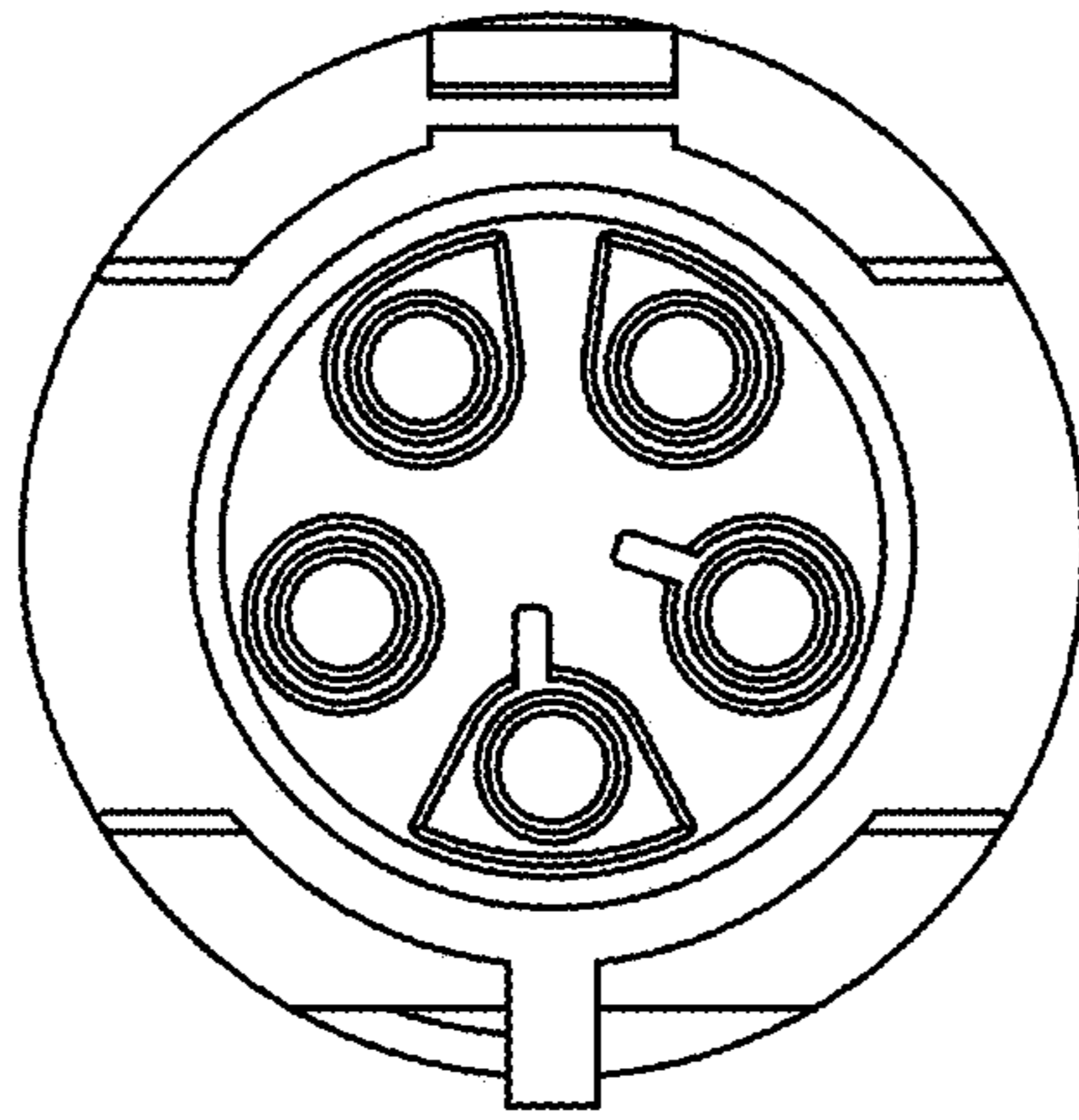


FIG. 11

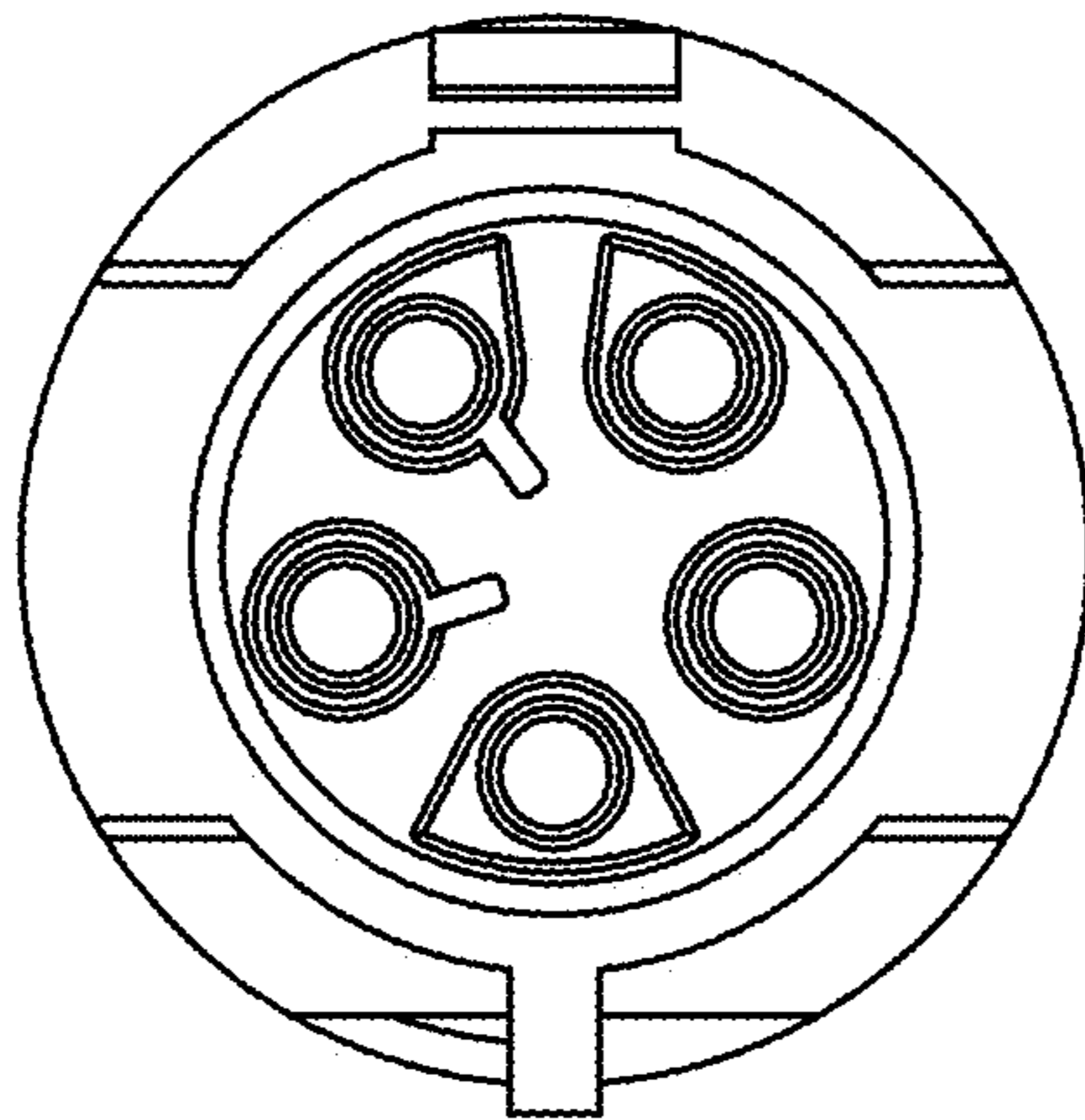


FIG. 12

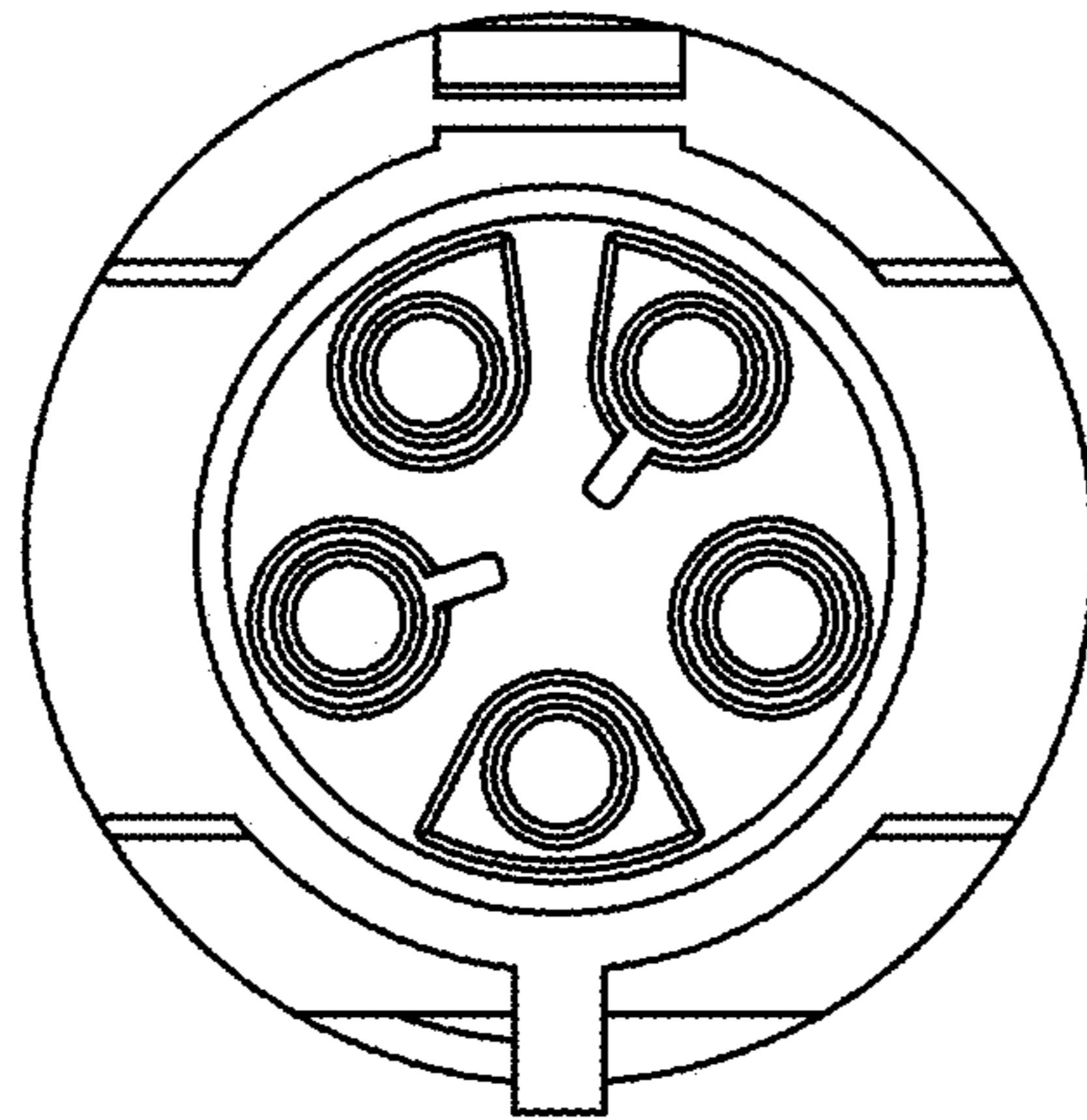


FIG. 13

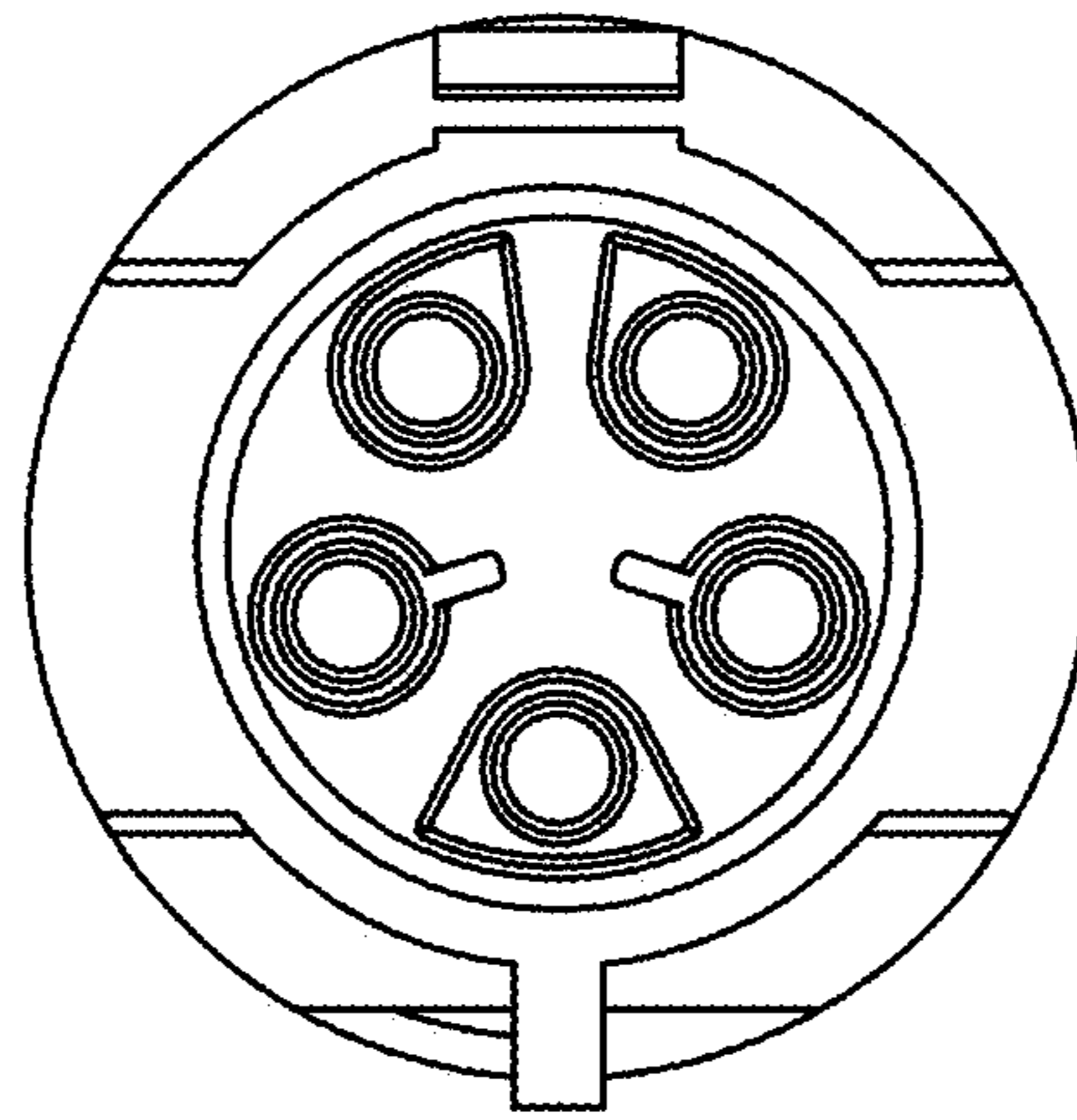


FIG. 14

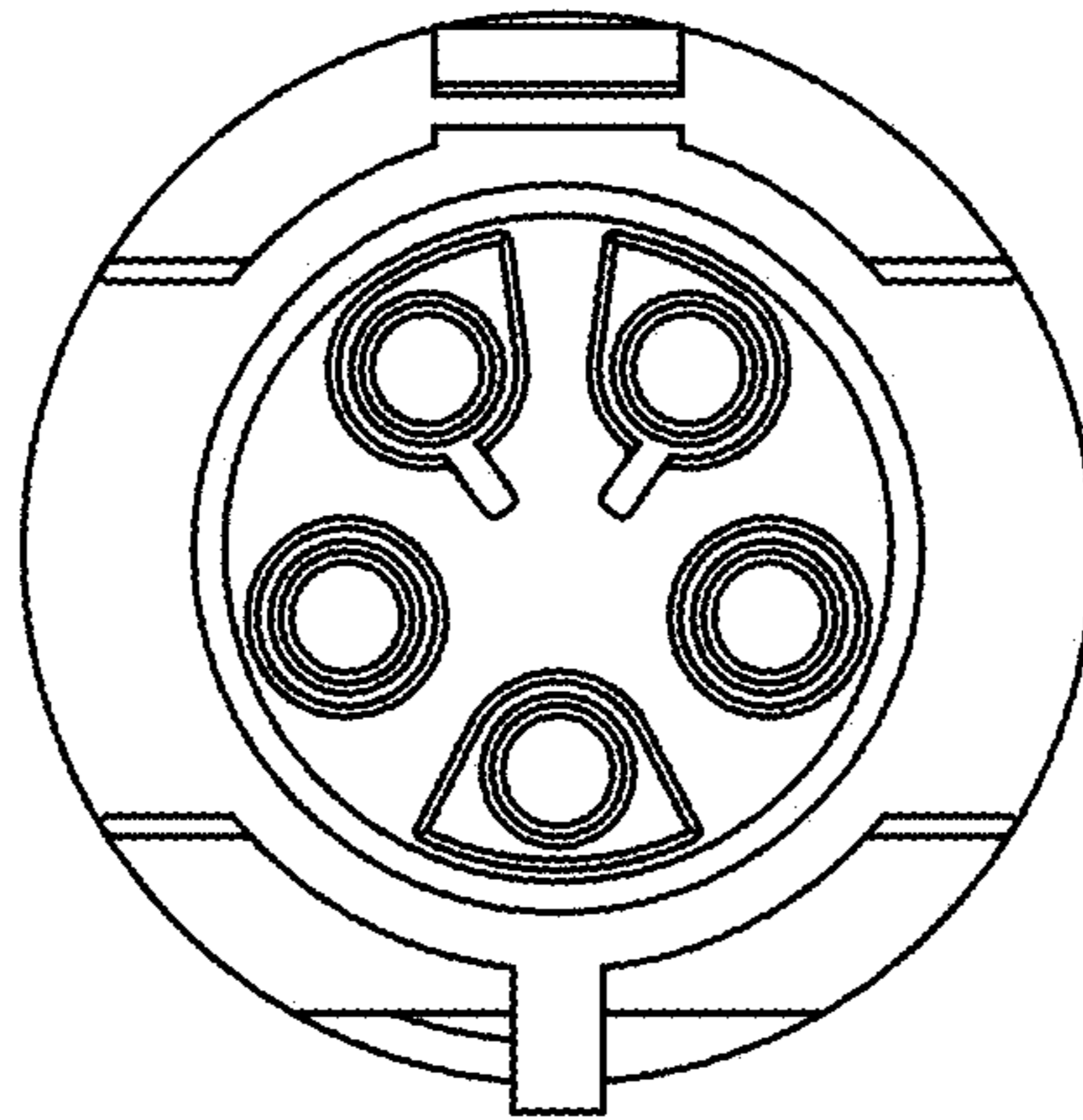


FIG. 15

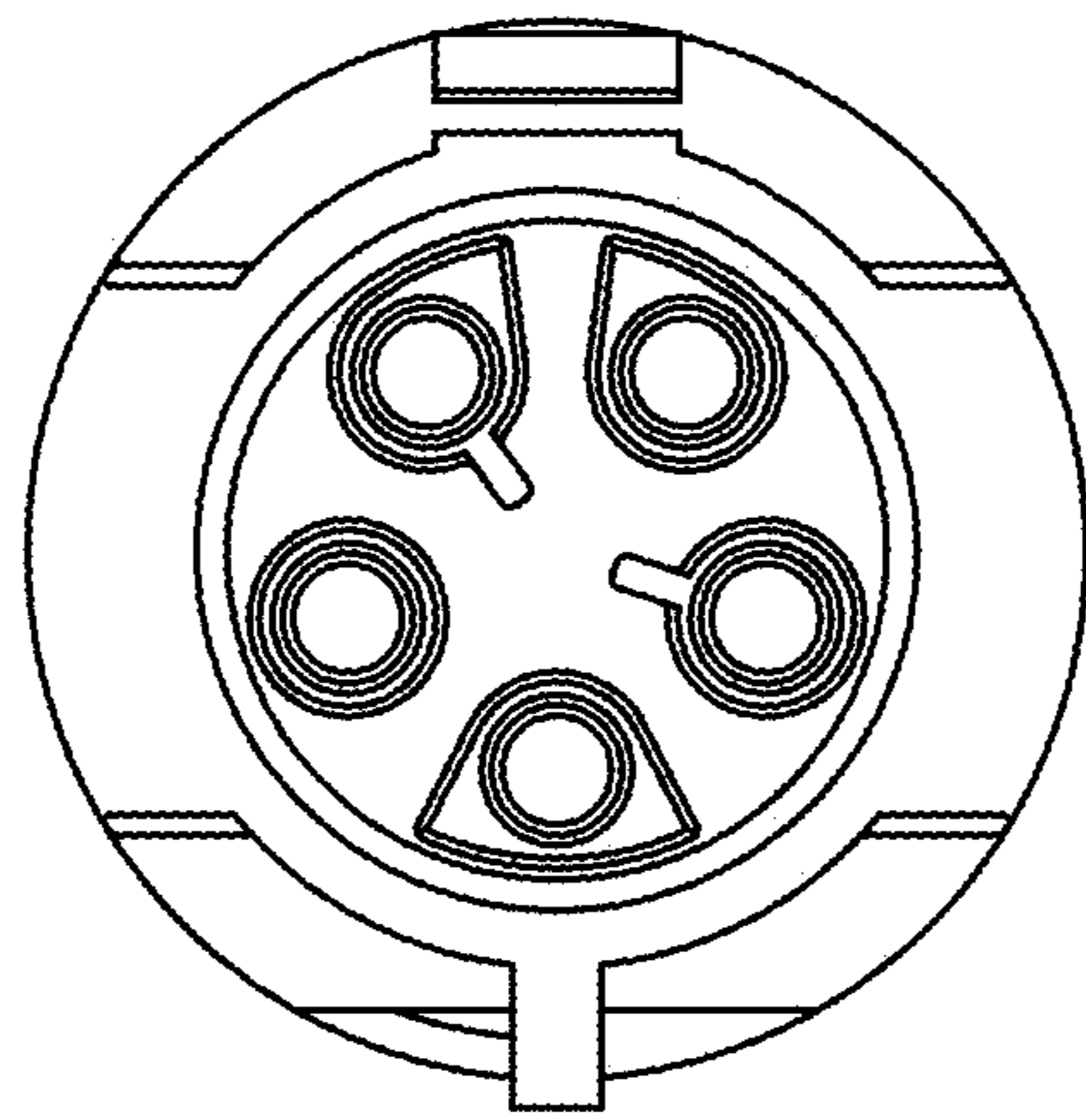


FIG. 16

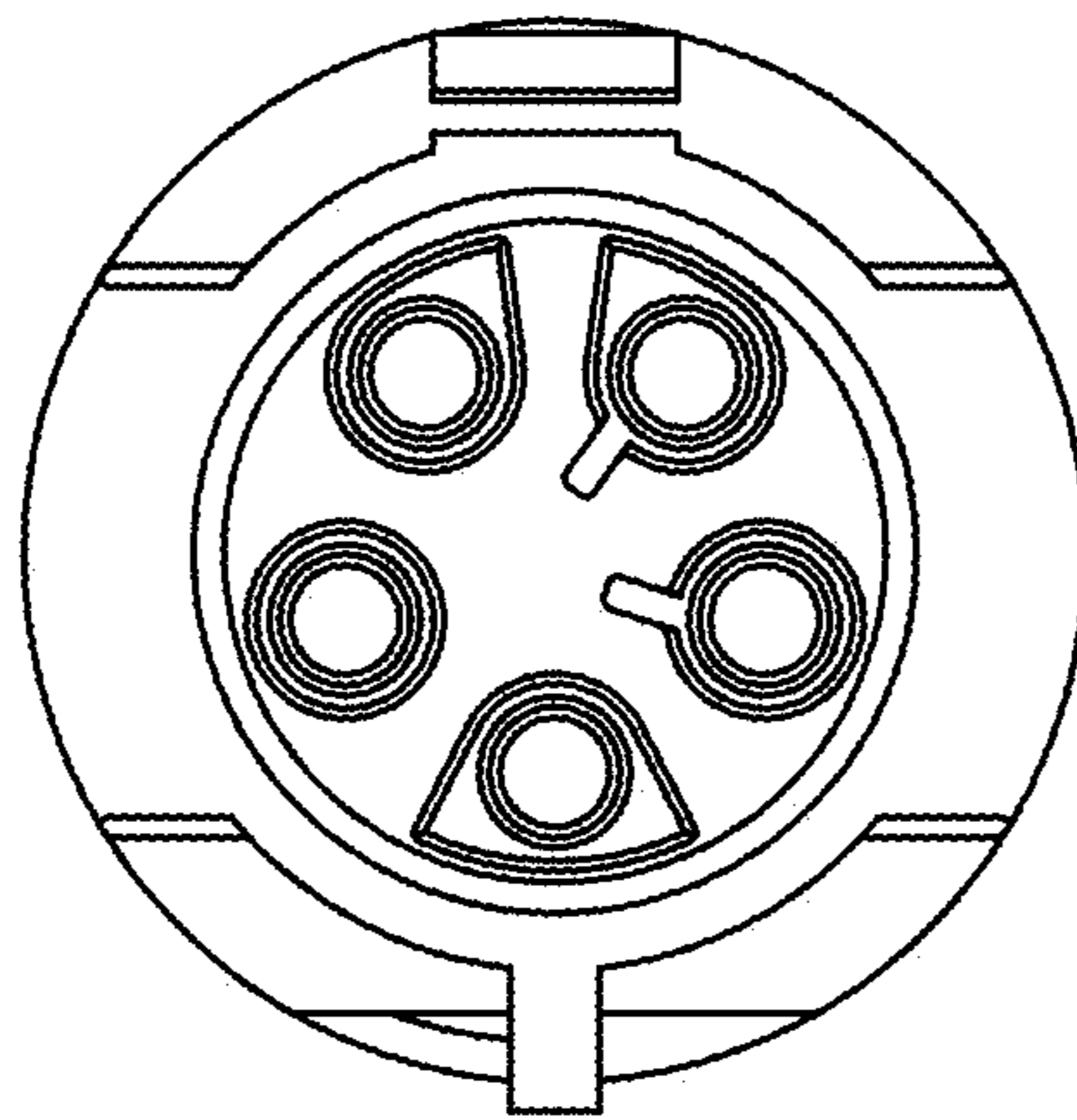


FIG. 17

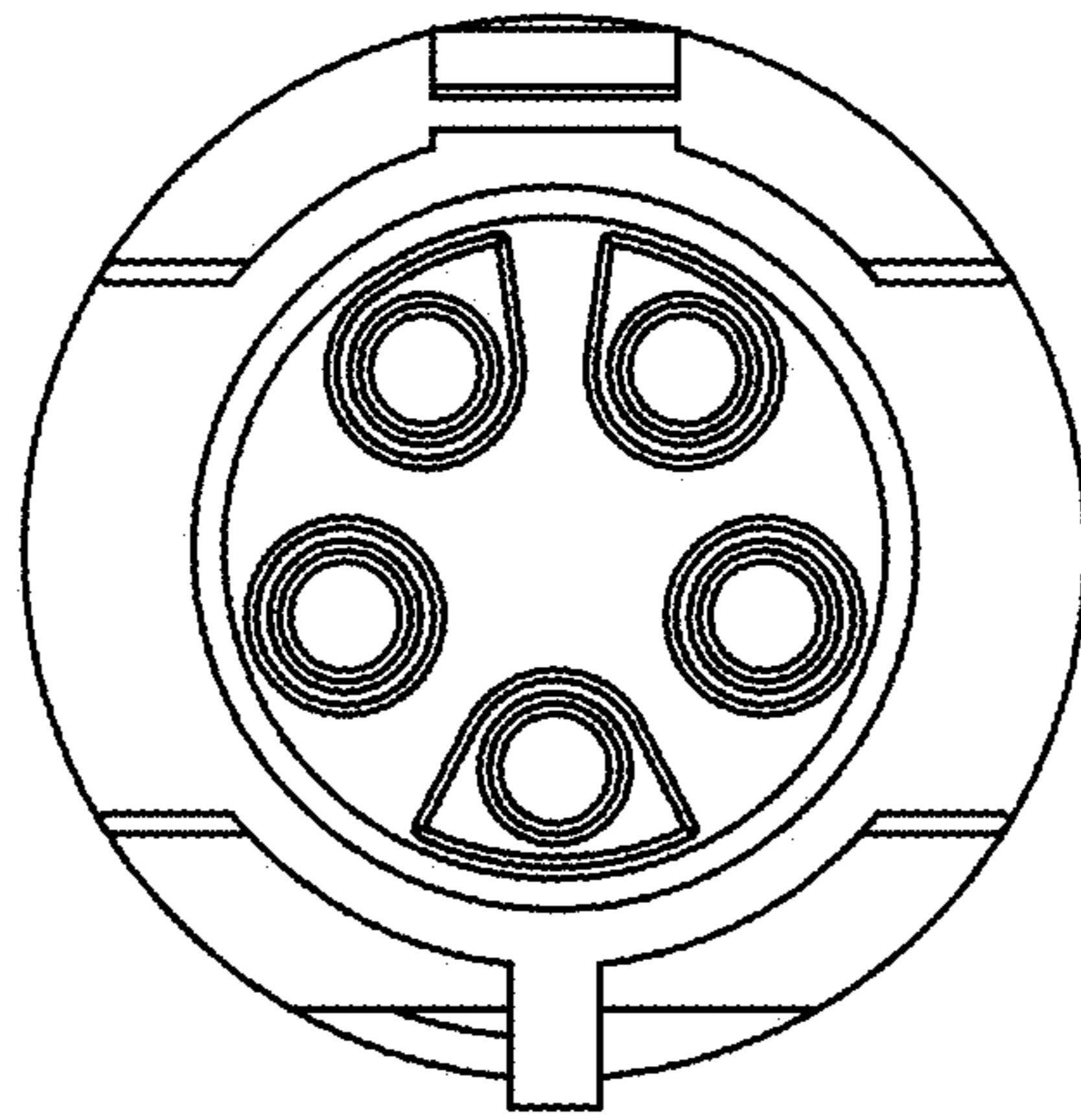


FIG. 18