



US00D722970S

(12) **United States Design Patent**  
**Smith**

(10) **Patent No.:** **US D722,970 S**  
(45) **Date of Patent:** **\*\* Feb. 24, 2015**

(54) **FEMALE POWER CONNECTOR HOUSING**

(71) Applicant: **IDEAL Industries, Inc.**, Sycamore, IL (US)

(72) Inventor: **Nathan T. Smith**, Worcester, MA (US)

(73) Assignee: **IDEAL Industries, Inc.**, Sycamore, IL (US)

(\*\*) Term: **14 Years**

(21) Appl. No.: **29/481,105**

(22) Filed: **Jan. 31, 2014**

(51) **LOC (10) Cl.** ..... **13-03**

(52) **U.S. Cl.**  
USPC ..... **D13/147**

(58) **Field of Classification Search**  
USPC ..... D13/147, 154, 184, 199  
See application file for complete search history.

(56) **References Cited**

U.S. PATENT DOCUMENTS

D188,419 S *	7/1960	Danesi	.....	D13/146
D251,491 S *	4/1979	Snyder et al.	.....	D13/146
D472,523 S *	4/2003	Hansen	.....	D13/146
D478,549 S *	8/2003	Porzelt	.....	D13/146
D560,610 S *	1/2008	McCoy	.....	D13/146
D639,743 S *	6/2011	Smith et al.	.....	D13/146
D639,744 S *	6/2011	Smith et al.	.....	D13/146
D694,189 S *	11/2013	Ledinger et al.	.....	D13/146
D697,030 S *	1/2014	Ledinger et al.	.....	D13/146
D698,730 S *	2/2014	Hori et al.	.....	D13/146
D702,189 S *	4/2014	Kagelmacher et al.	.....	D13/146

\* cited by examiner

*Primary Examiner* — Daniel Bui

(74) *Attorney, Agent, or Firm* — Gladys Negron-Munoz

(57) **CLAIM**

The ornamental design for a female power connector housing, as shown and described.

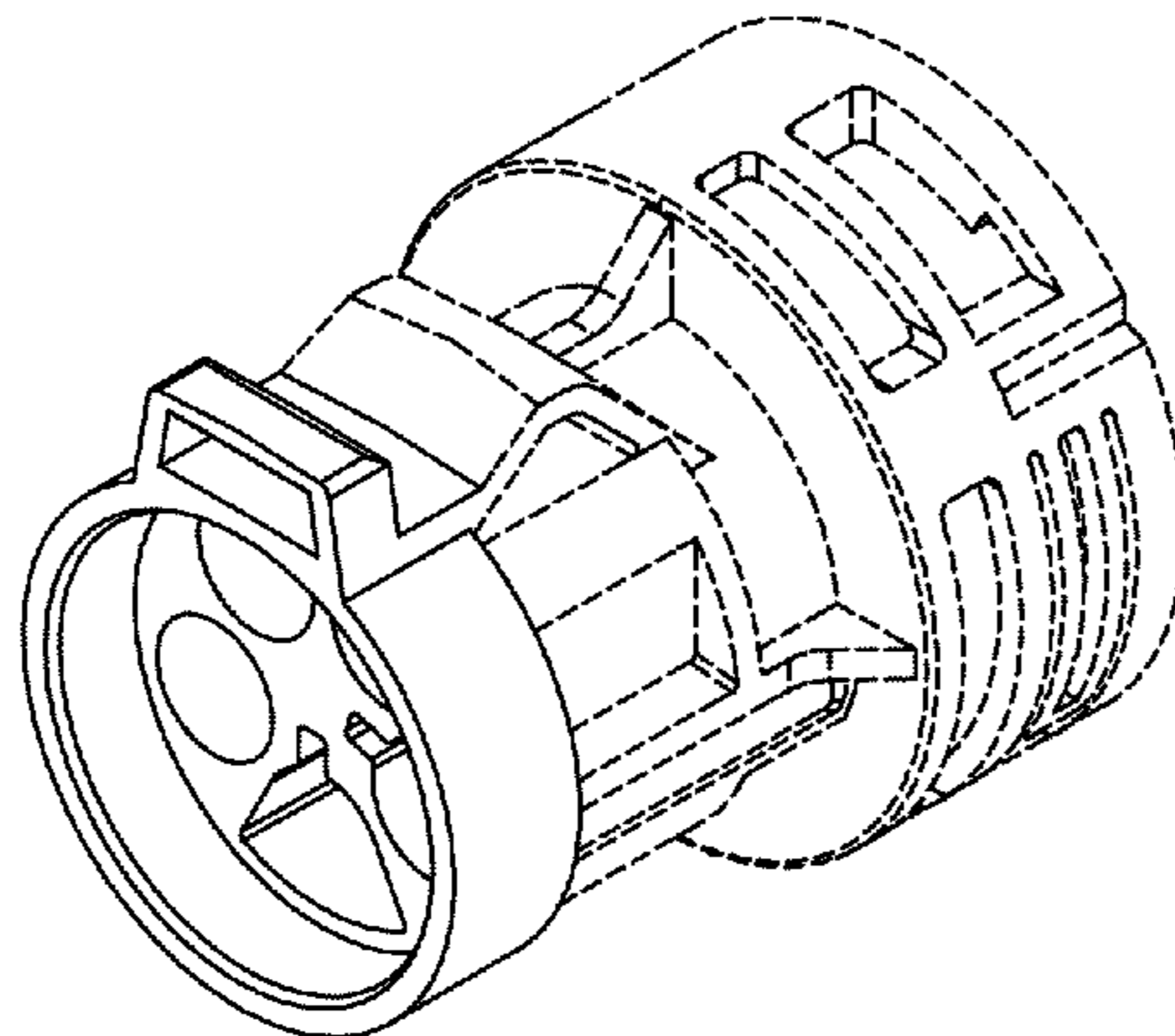
**DESCRIPTION**

FIG. 1 is a front perspective view of a first embodiment of a female power connector housing, showing my new design; FIG. 2 is a front elevation view thereof;

FIG. 3 is a rear elevation view thereof;  
FIG. 4 is a top plan view thereof;  
FIG. 5 is a bottom plan view thereof;  
FIG. 6 is a left side elevation view thereof;  
FIG. 7 is a right side elevation view thereof;  
FIG. 8 is a front perspective view of a second embodiment of a female power connector housing, showing my new design;  
FIG. 9 is a front elevation view thereof;  
FIG. 10 is a front perspective view of a third embodiment of a female power connector housing, showing my new design;  
FIG. 11 is a front elevation view thereof;  
FIG. 12 is a front perspective view of a fourth embodiment of a female power connector housing, showing my new design;  
FIG. 13 is a front elevation view thereof;  
FIG. 14 is a front perspective view of a fifth embodiment of a female power connector housing, showing my new design;  
FIG. 15 is a front elevation view thereof;  
FIG. 16 is a front elevation view of a sixth embodiment of a female power connector housing, showing my new design;  
FIG. 17 is a front elevation view of a seventh embodiment of a female power connector housing, showing my new design;  
FIG. 18 is a front elevation view of an eighth embodiment of a female power connector housing, showing my new design;  
FIG. 19 is a front elevation view of a ninth embodiment of a female power connector housing, showing my new design;  
FIG. 20 is a front elevation view of a tenth embodiment of a female power connector housing, showing my new design;  
and,  
FIG. 21 is a front elevation view of an eleven embodiment of a female power connector housing, showing my new design.  
The rear elevation view, the top plan view, the bottom plan view, the left side elevation view, and the right side elevation view of embodiments 2, 3, 4, 5, 6, 7, 8, 9, 10 and 11 are the same as that of in embodiment 1, with only difference of the location of 2 small tabs as shown in each embodiment's front elevation view.

The broken line in the drawing view represents unclaimed environment only and forms no part of the claimed design.

**1 Claim, 21 Drawing Sheets**



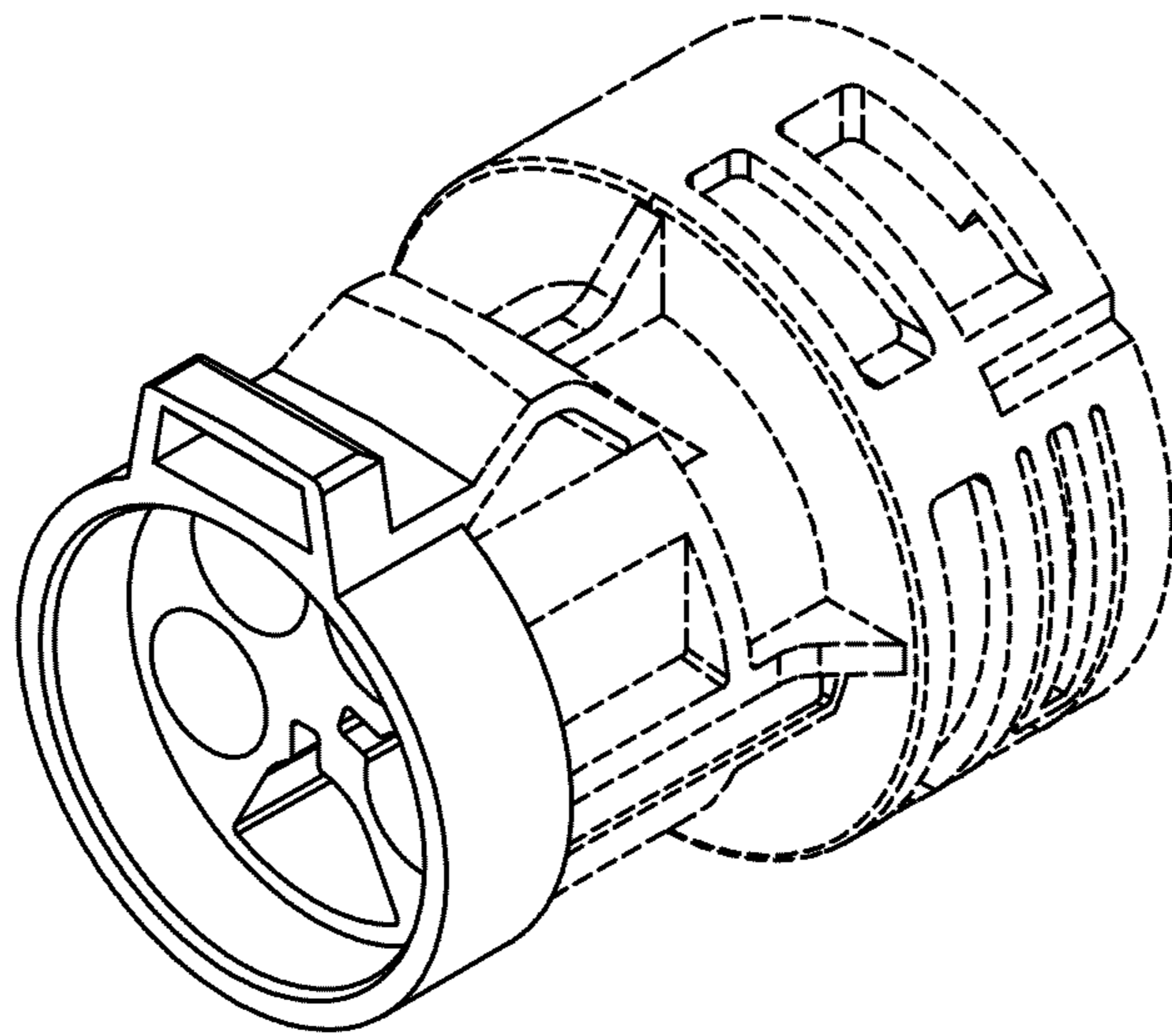


FIG. 1

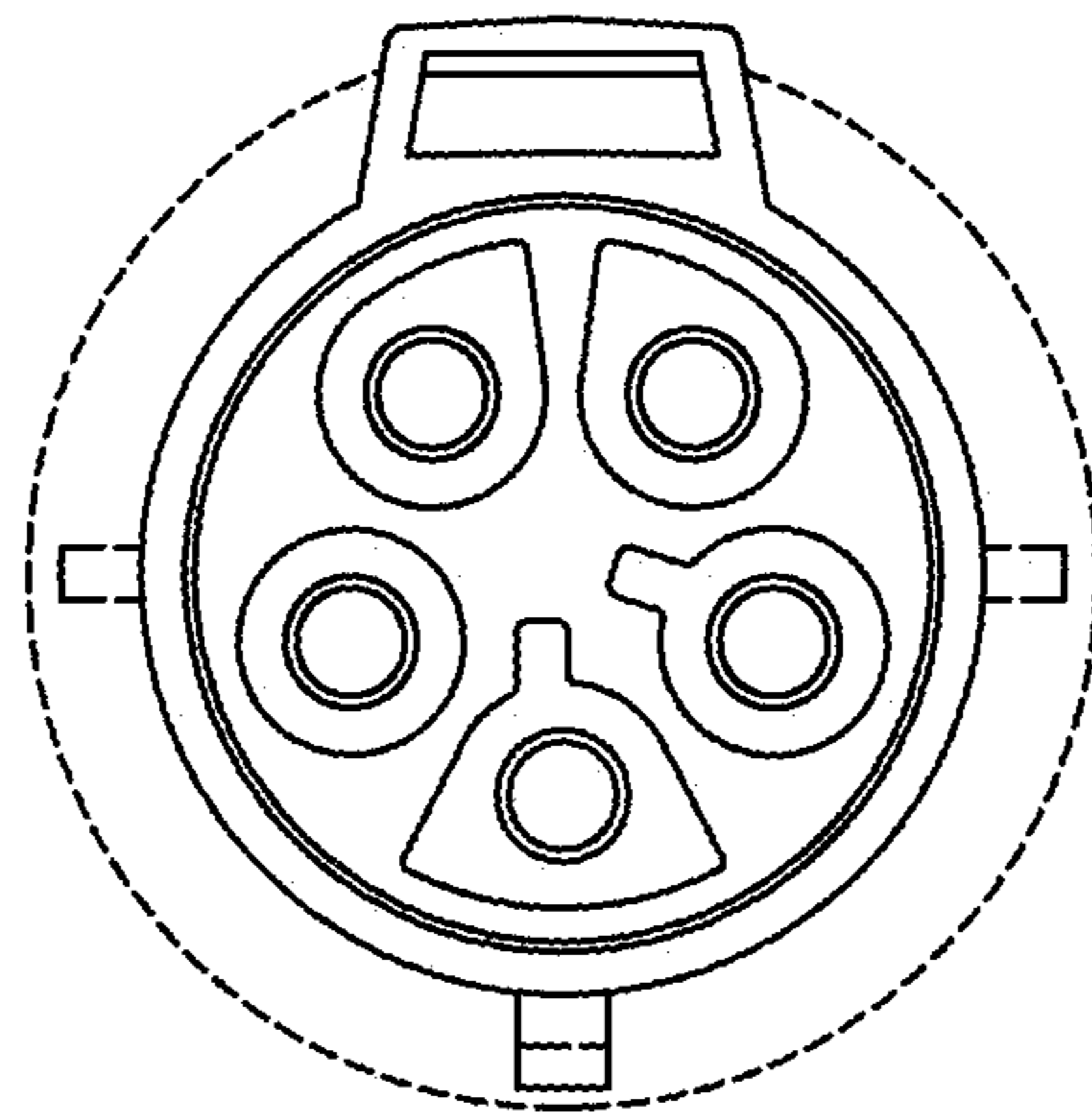


FIG. 2

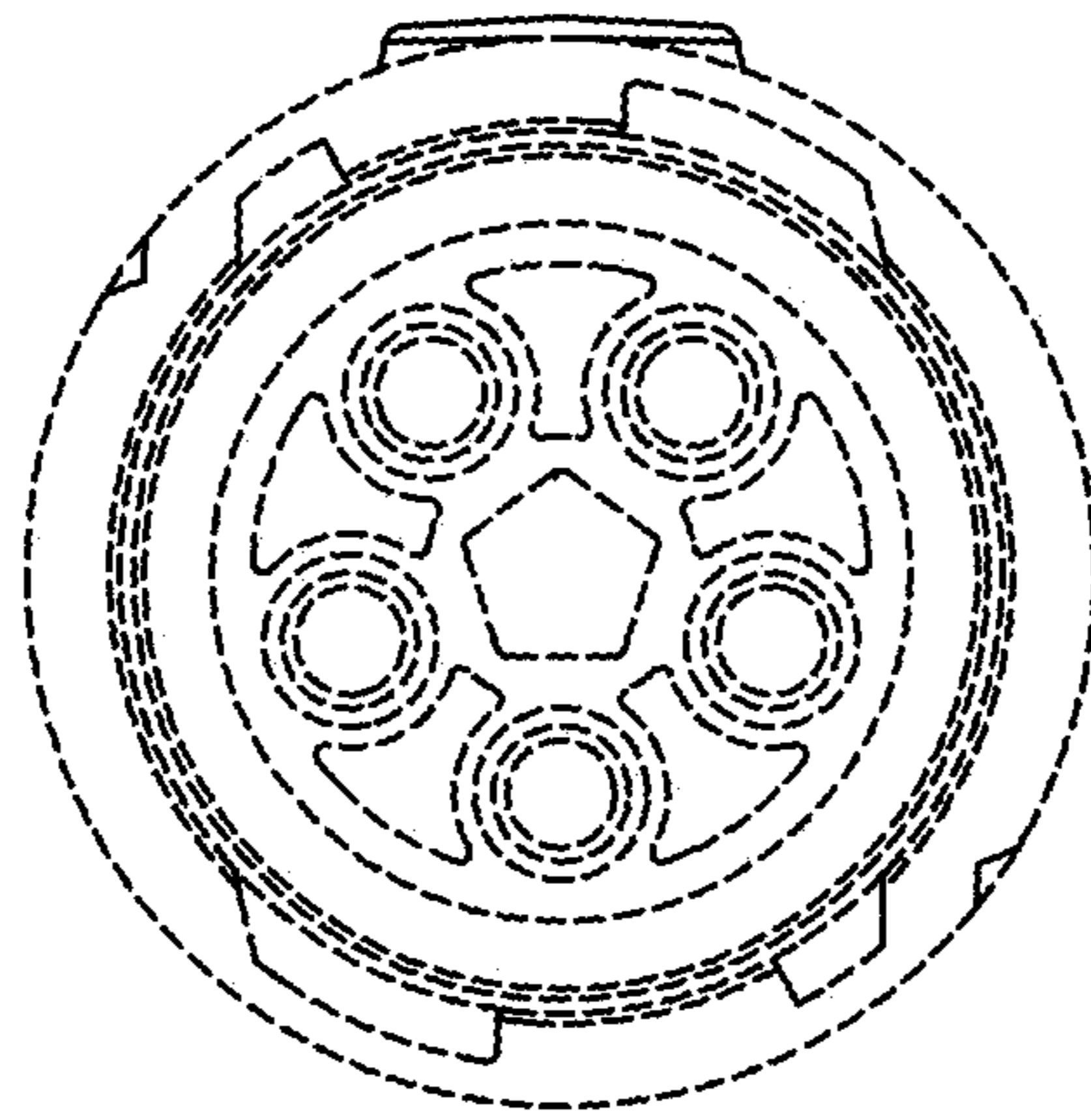


FIG. 3

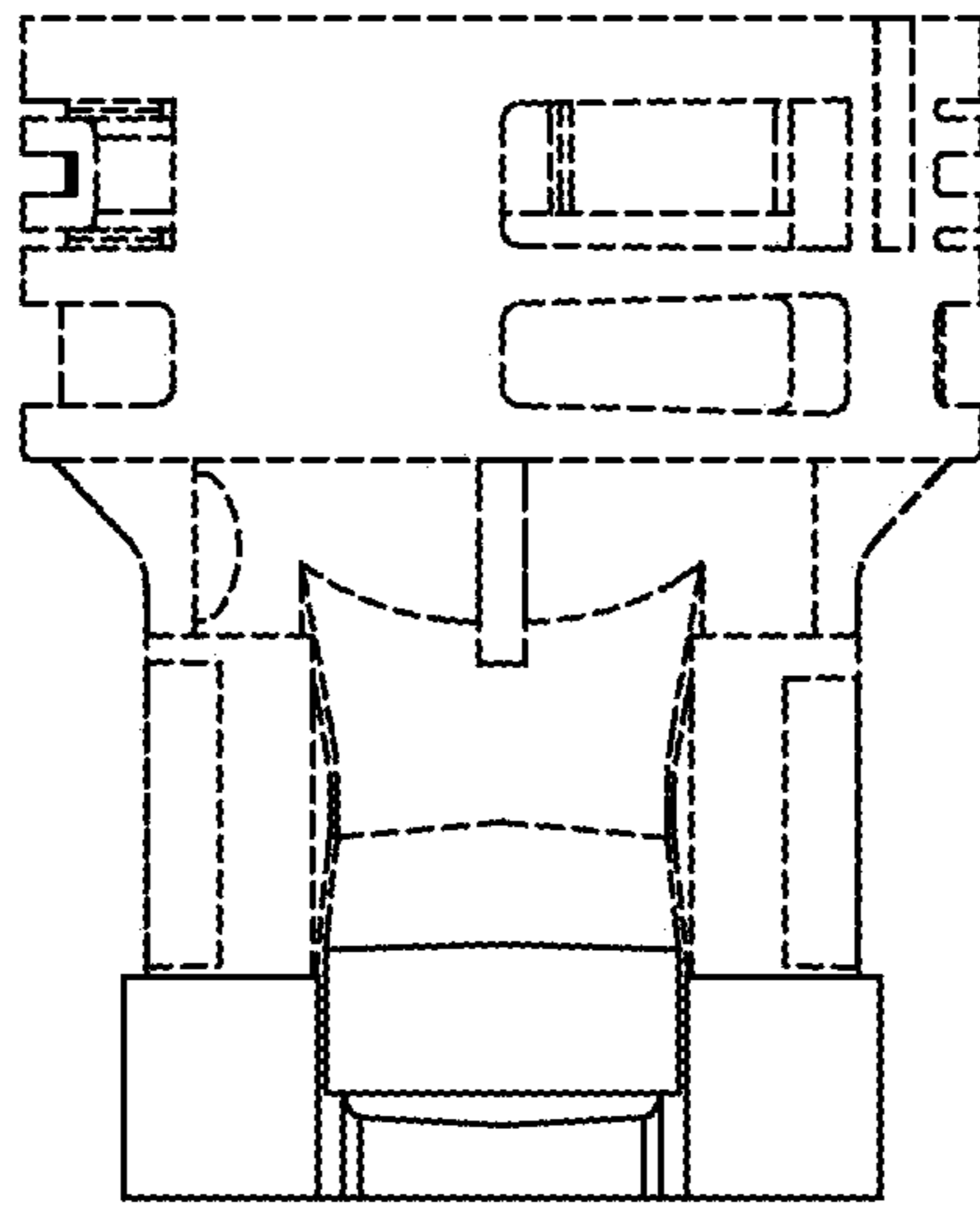


FIG. 4

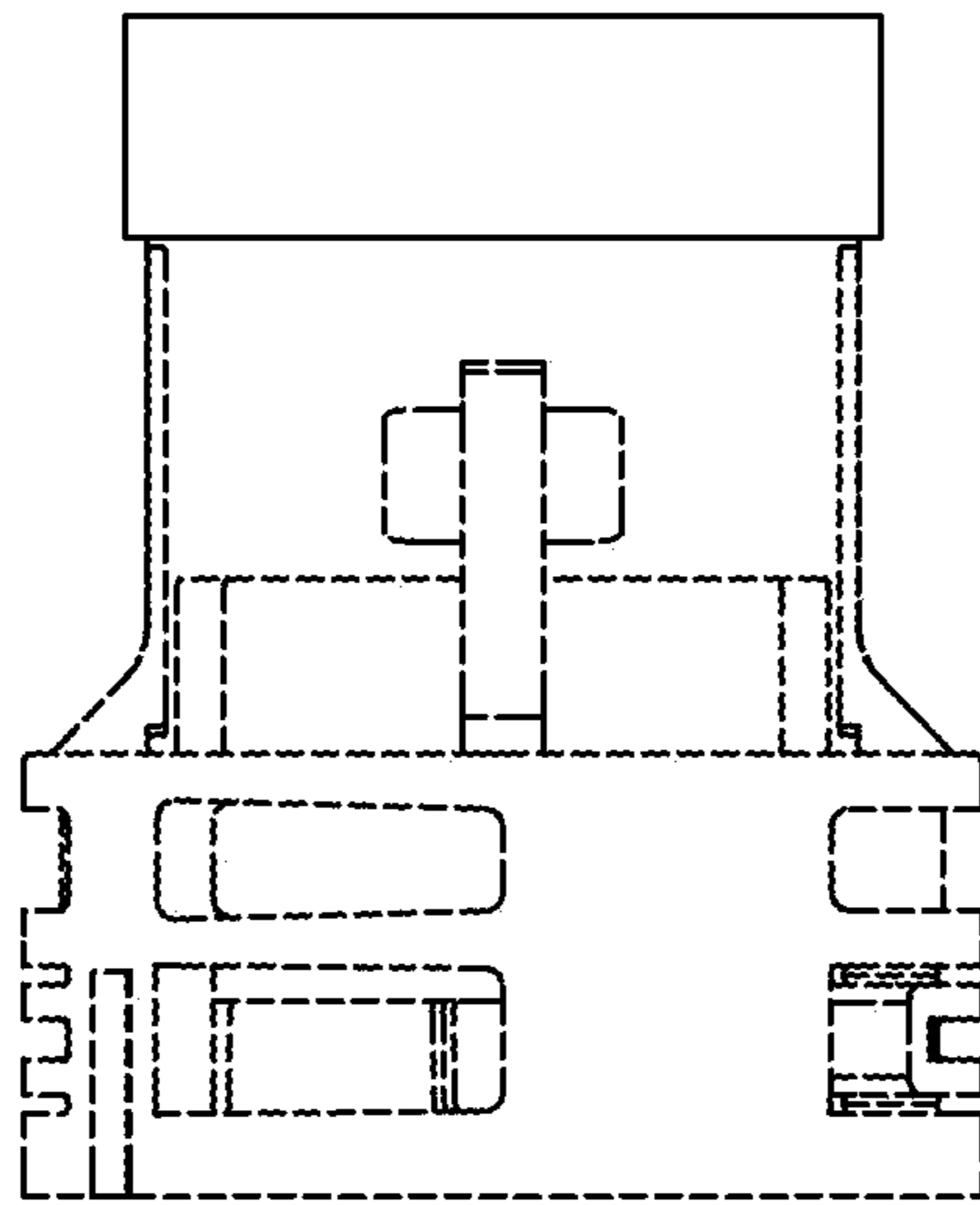


FIG. 5

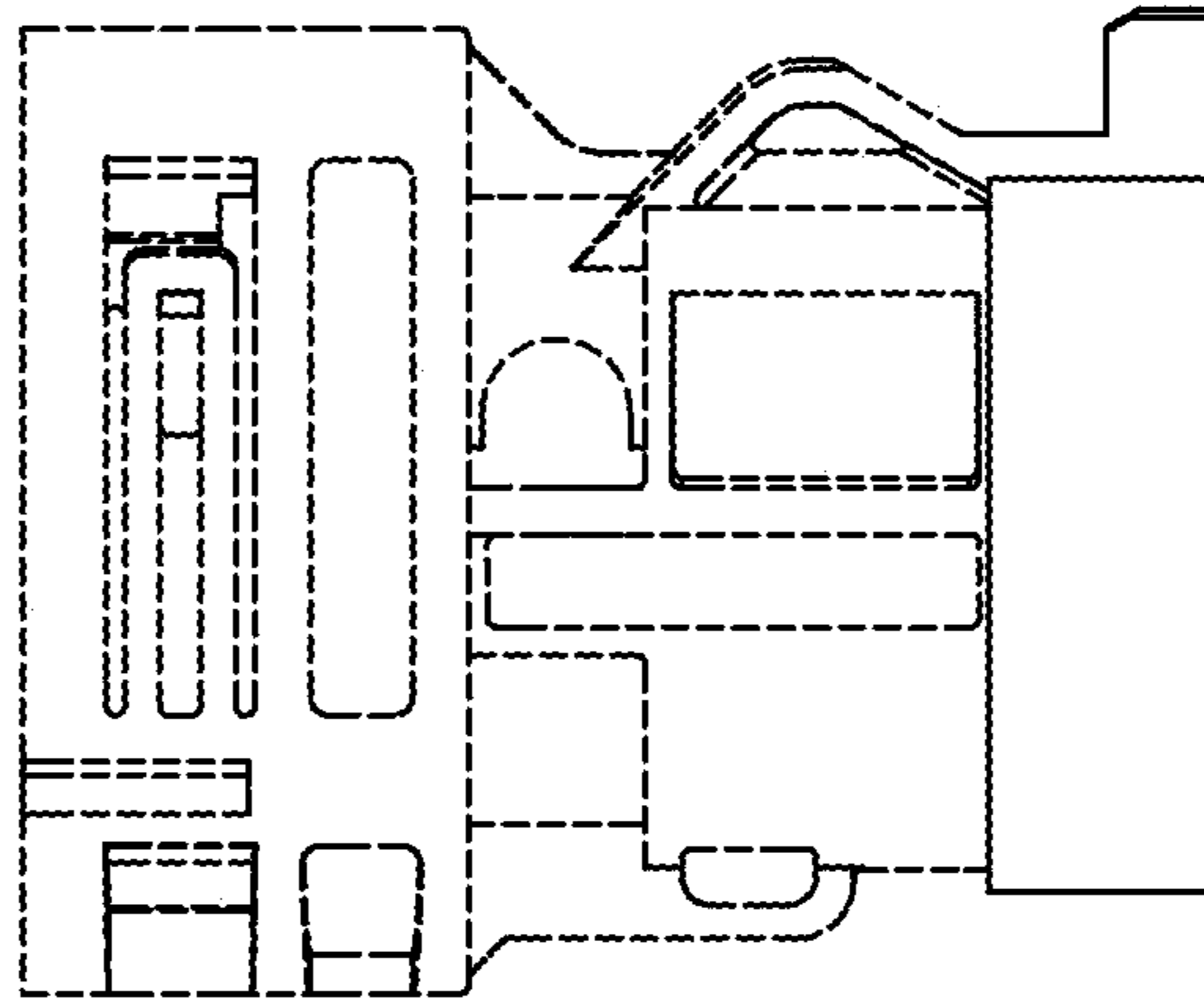


FIG. 6



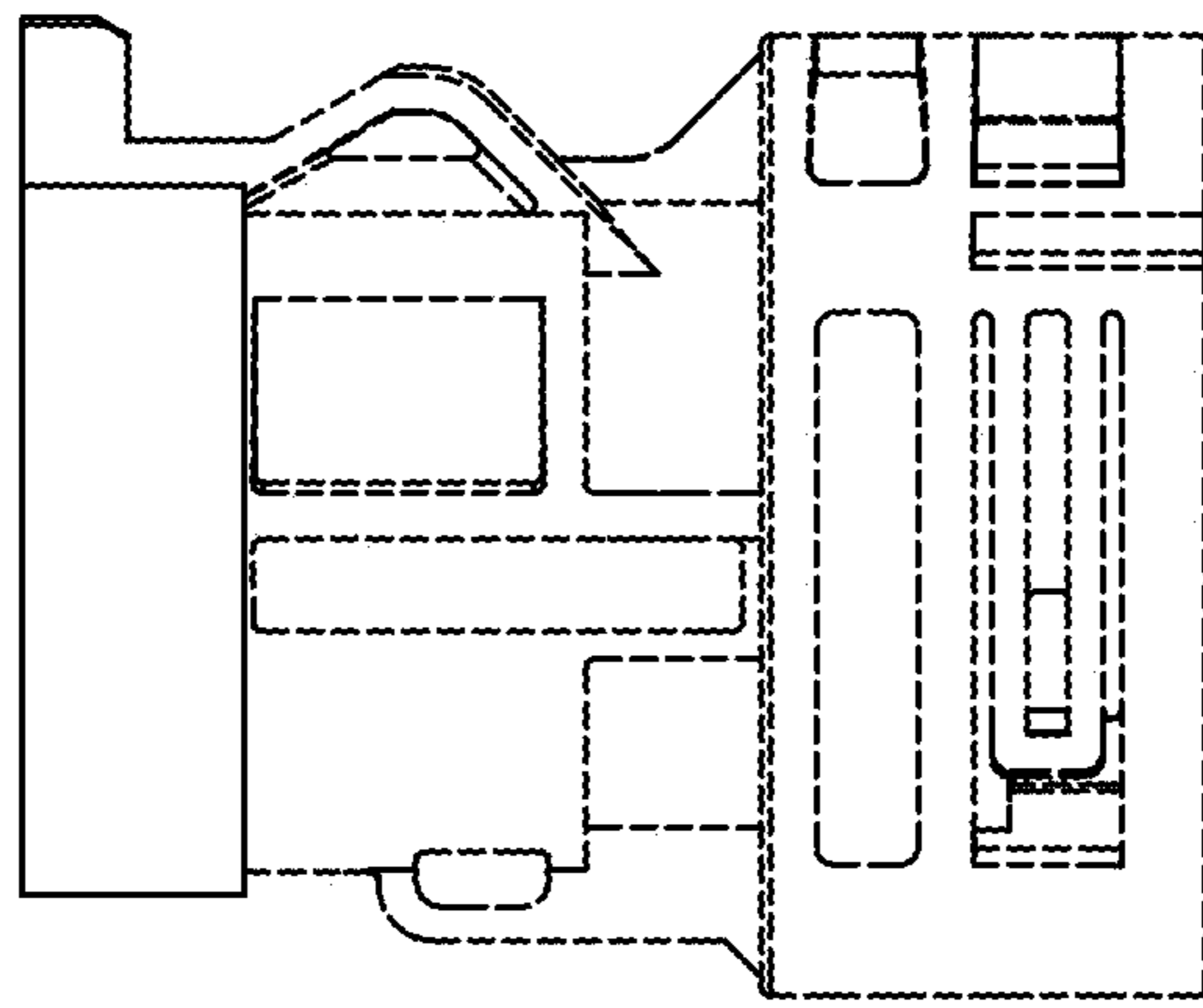


FIG. 7



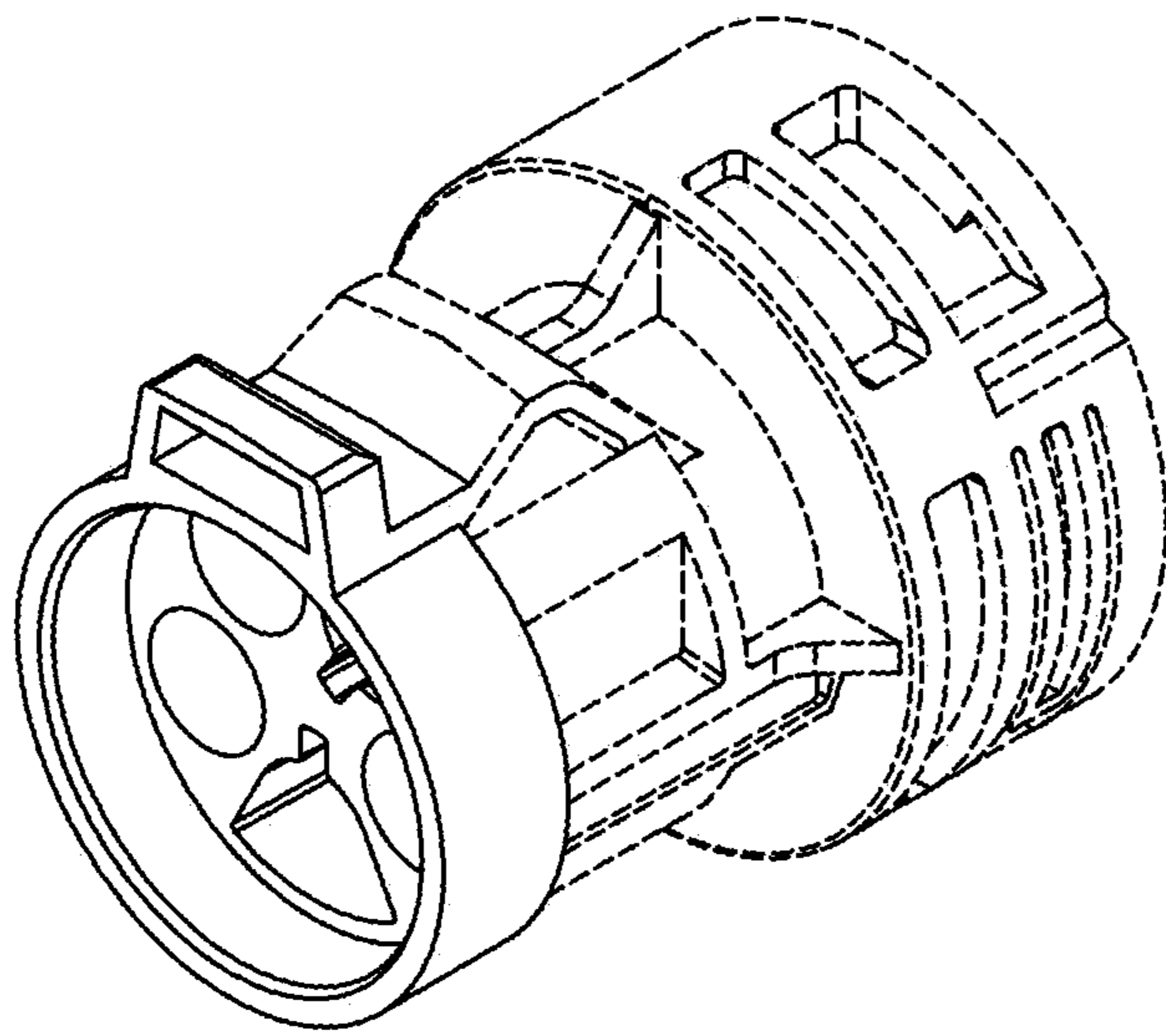


FIG. 8

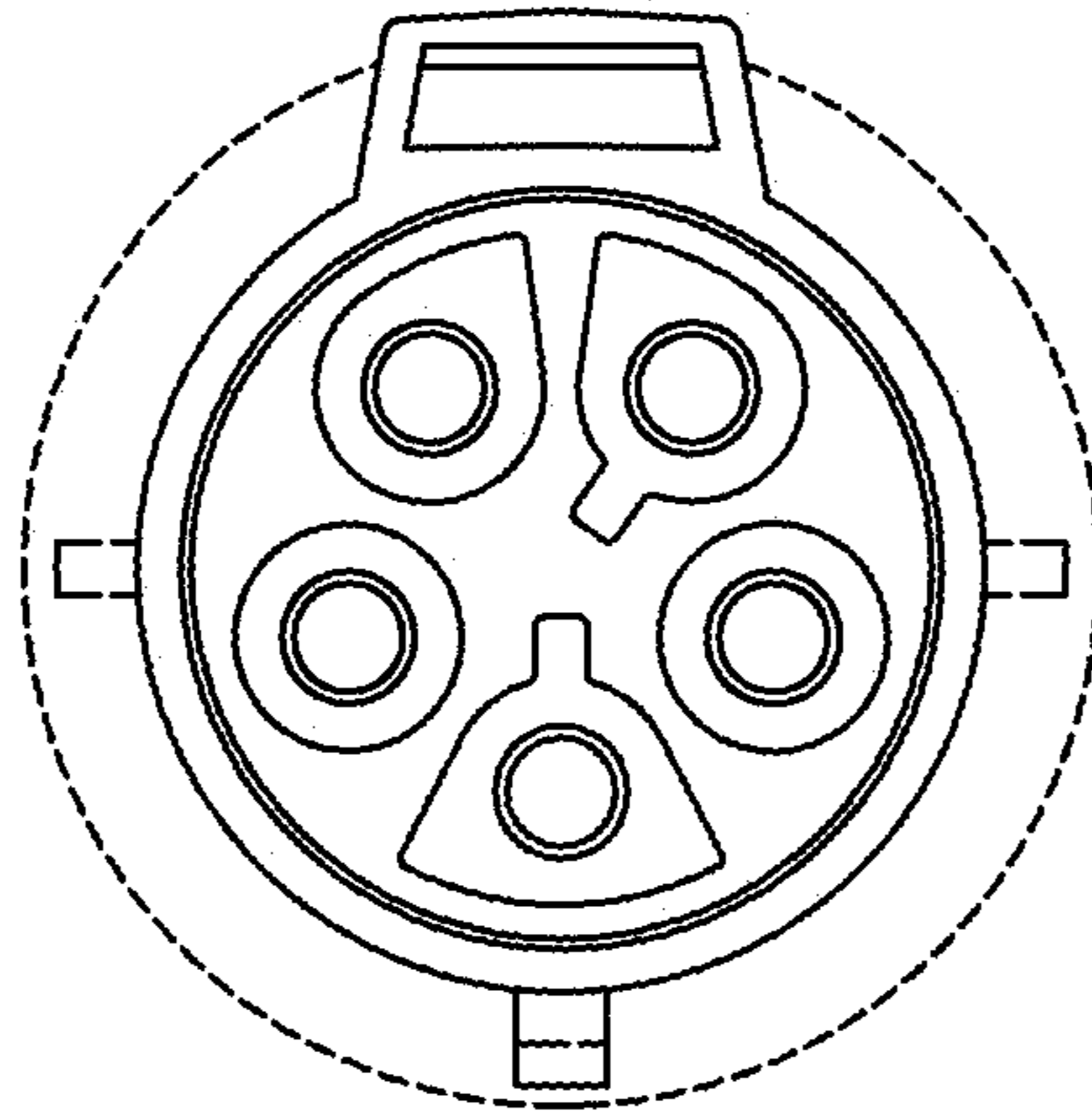


FIG. 9

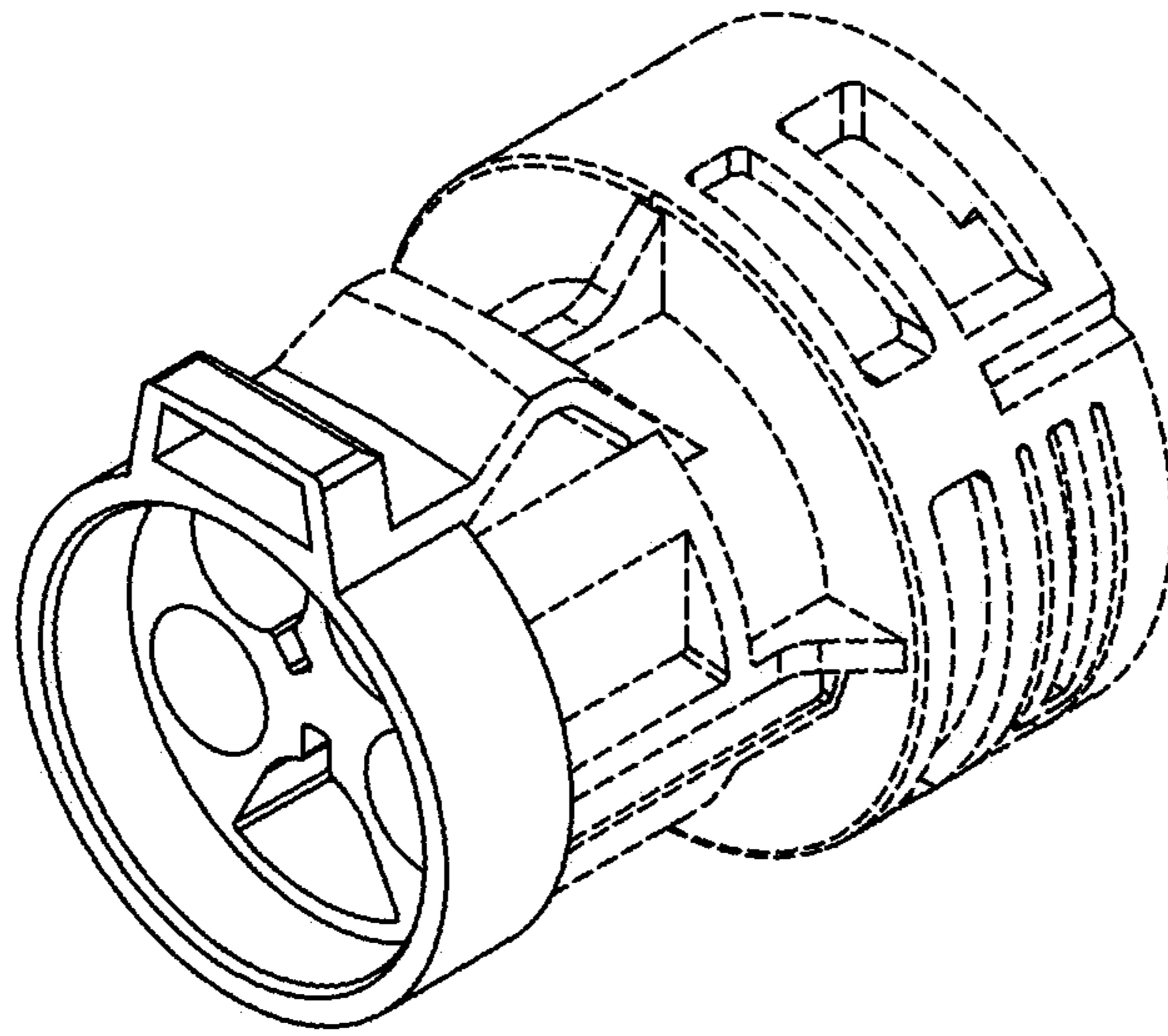


FIG. 10

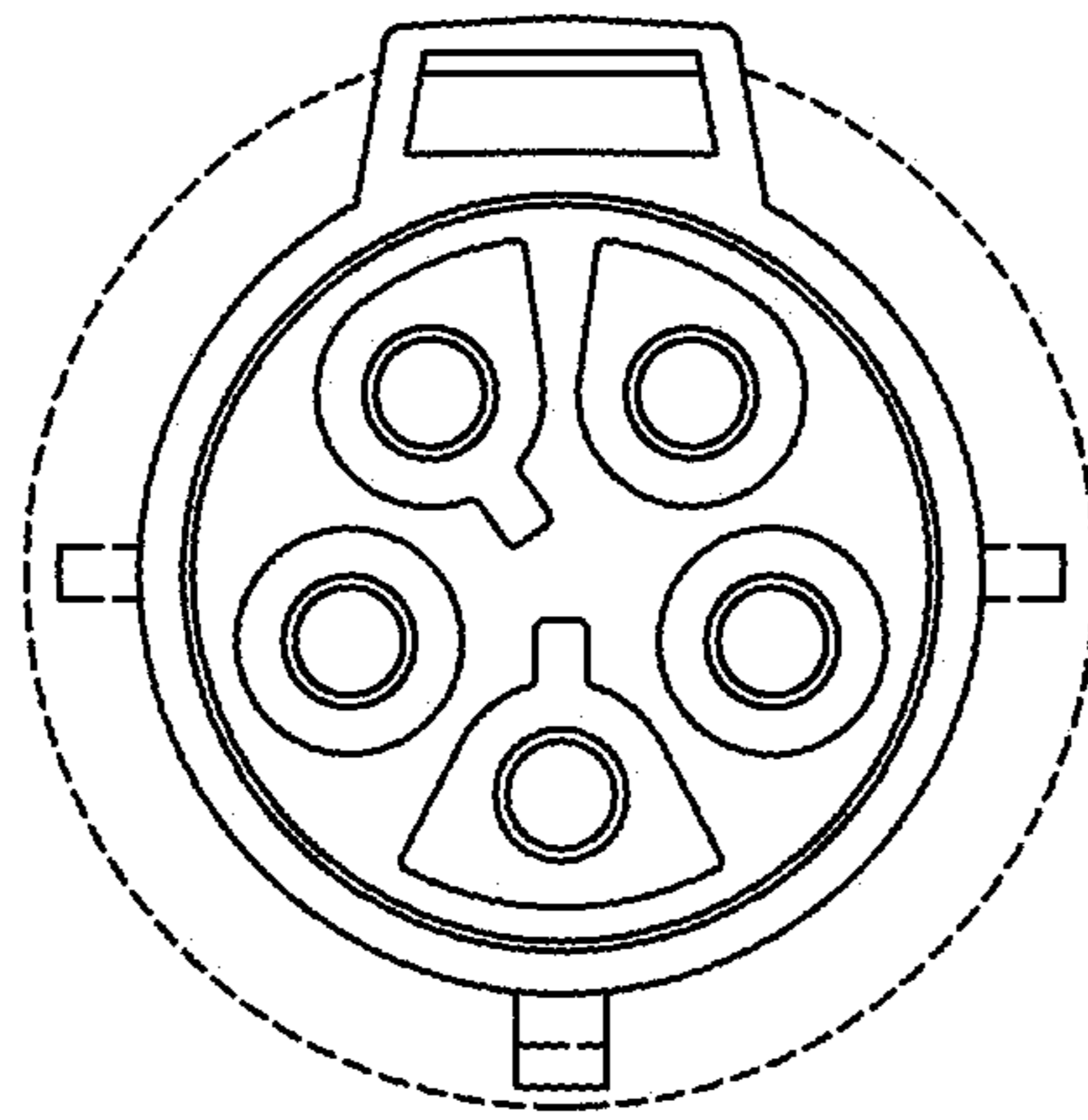


FIG. 11

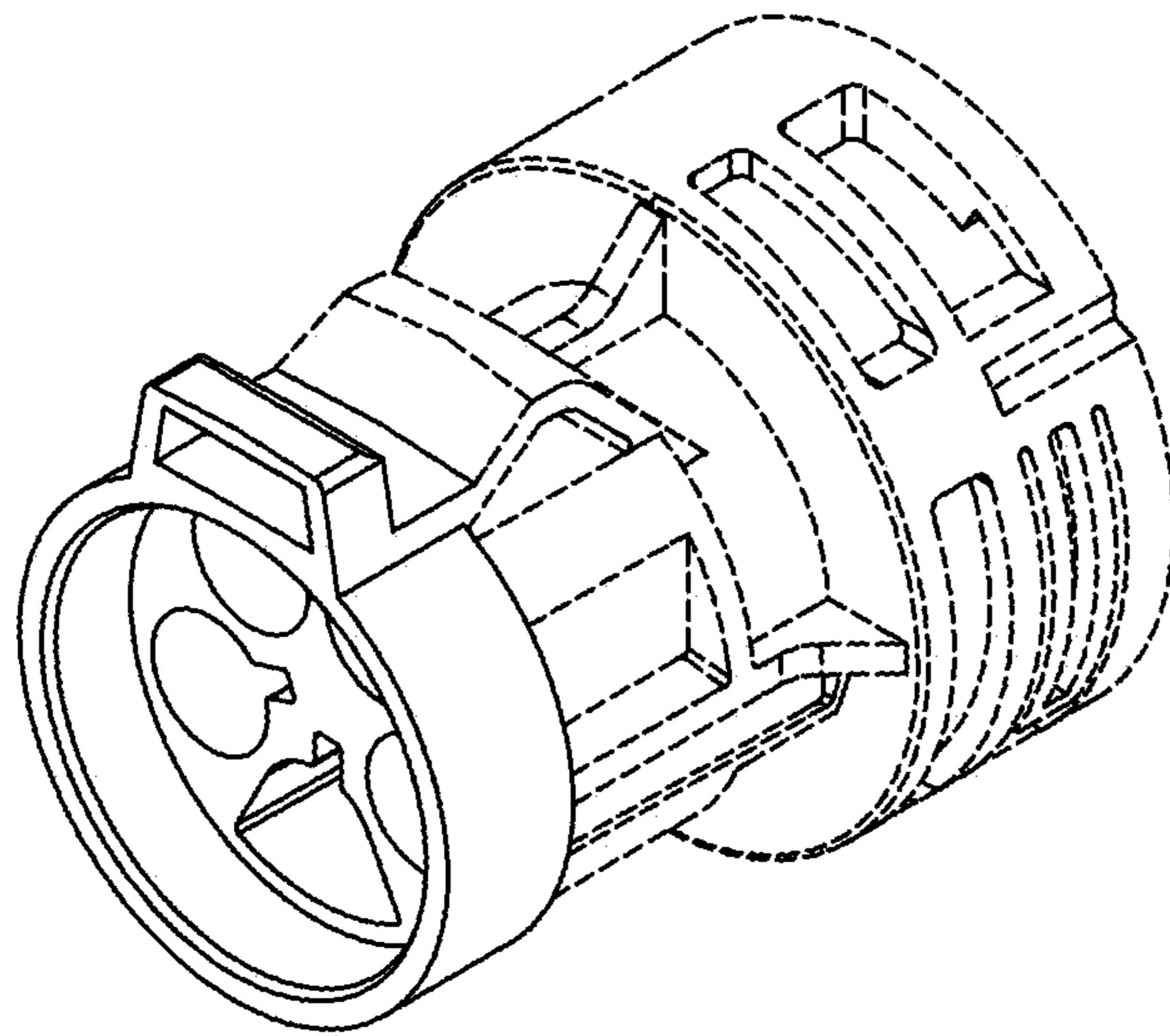


FIG. 12

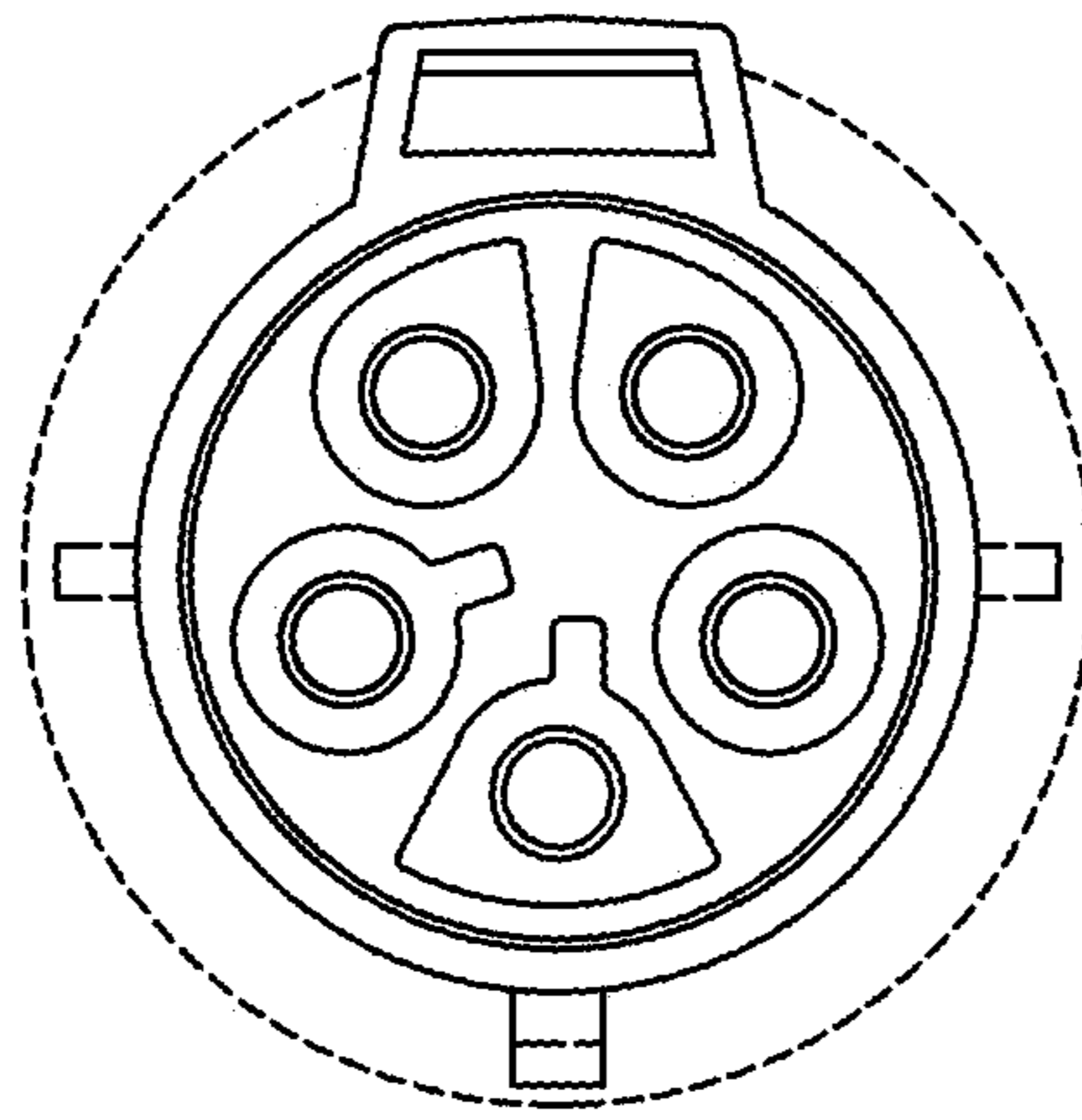


FIG. 13

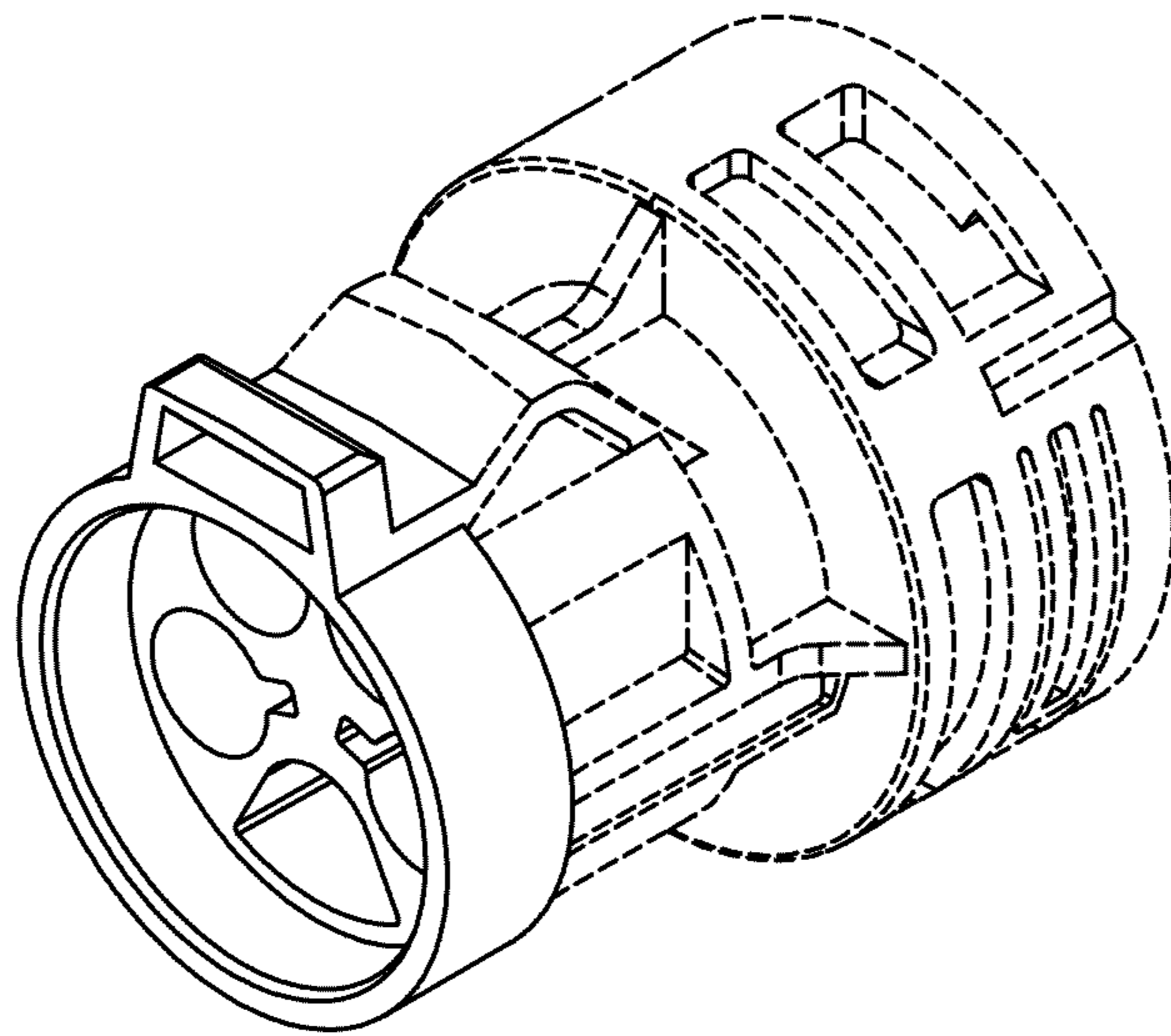


FIG. 14



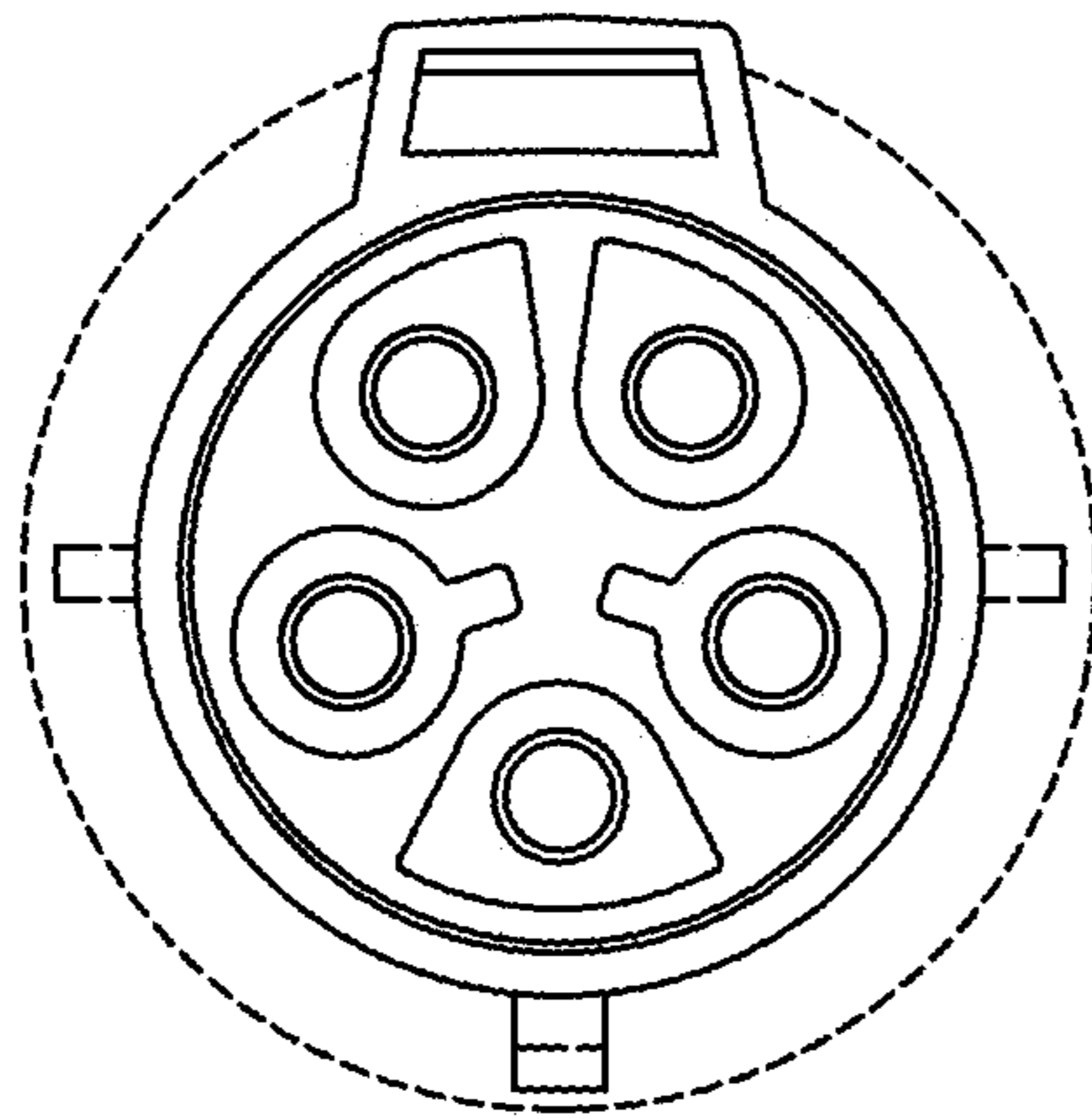


FIG. 15

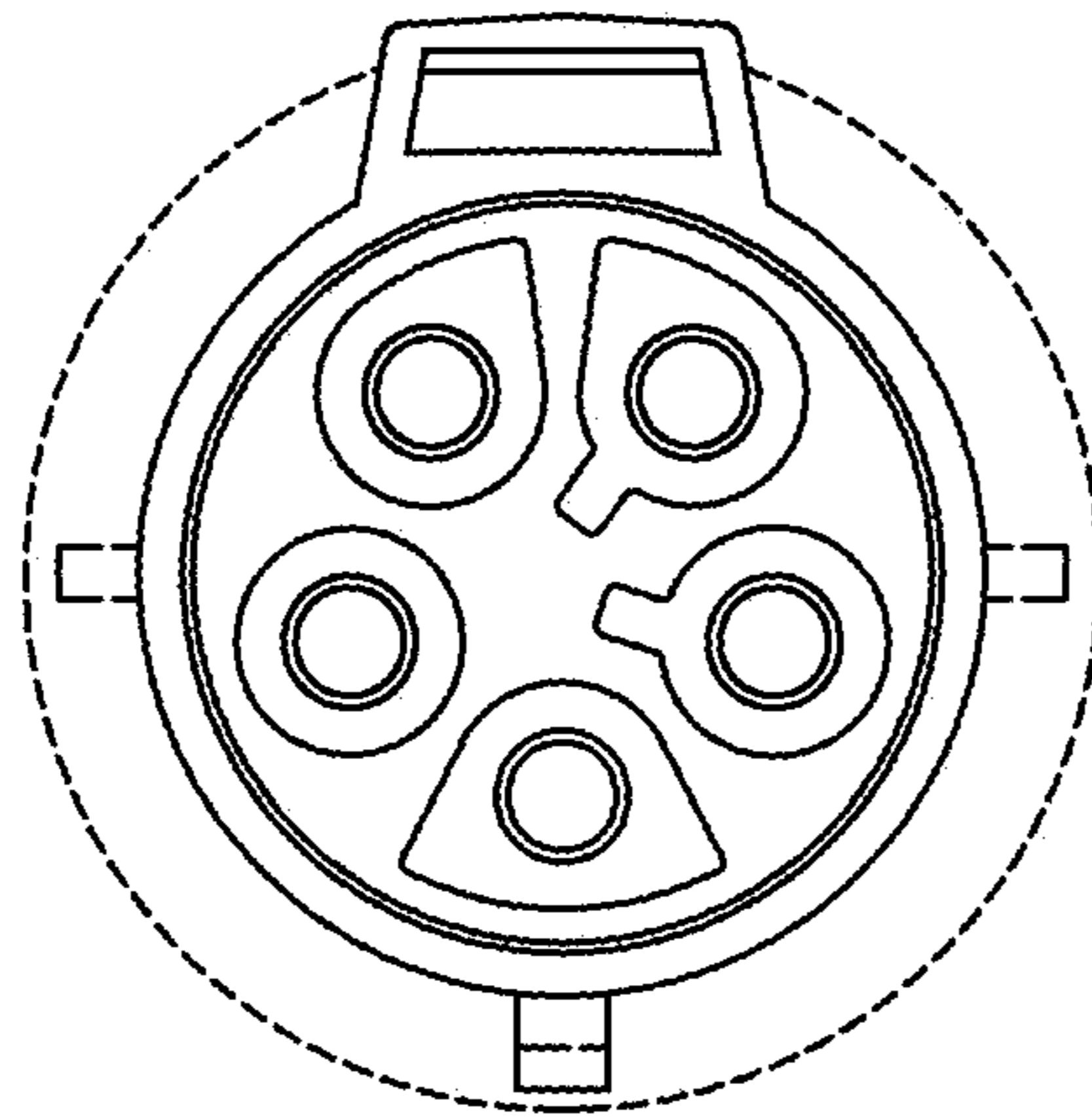


FIG. 16

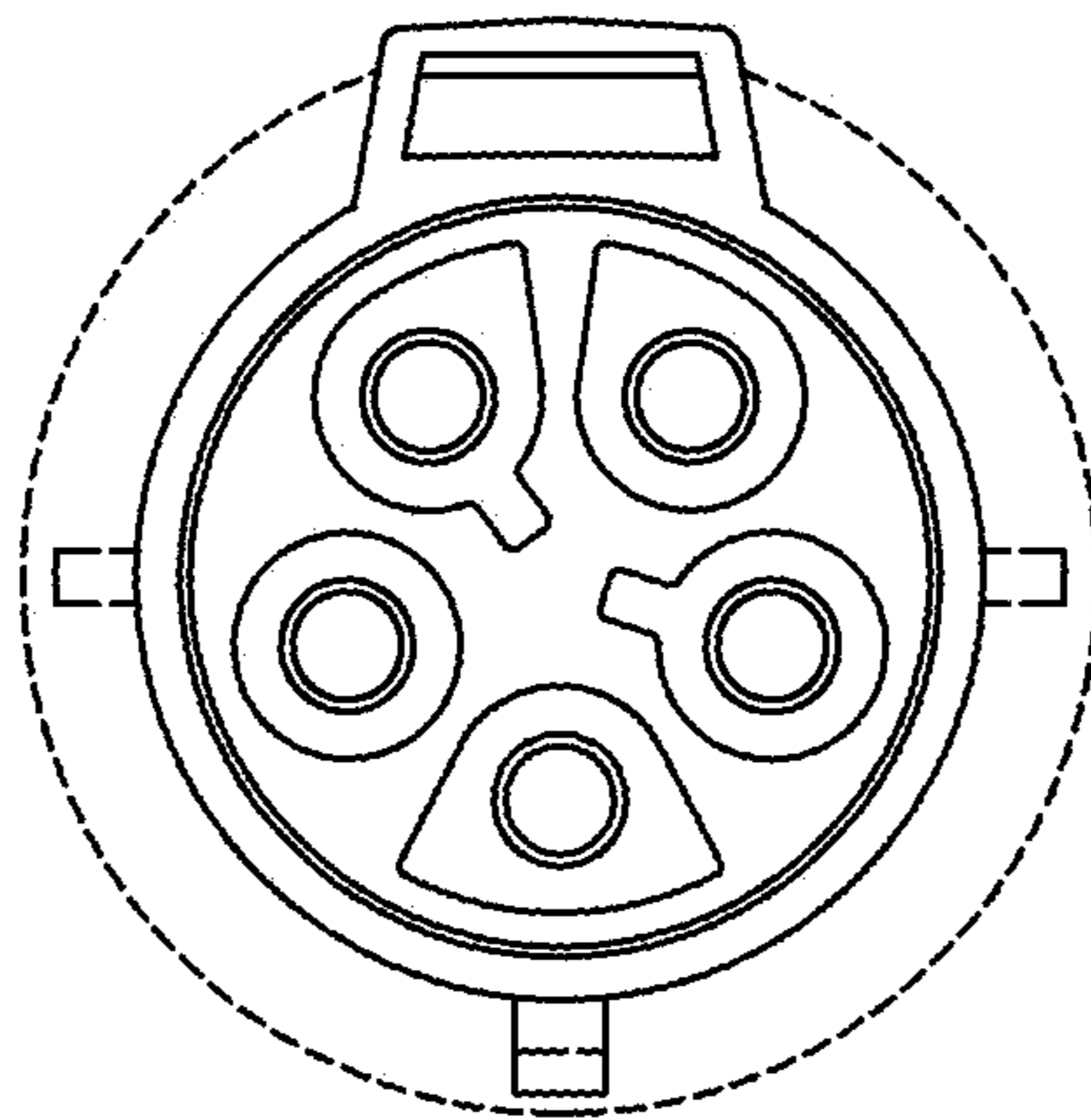


FIG. 17

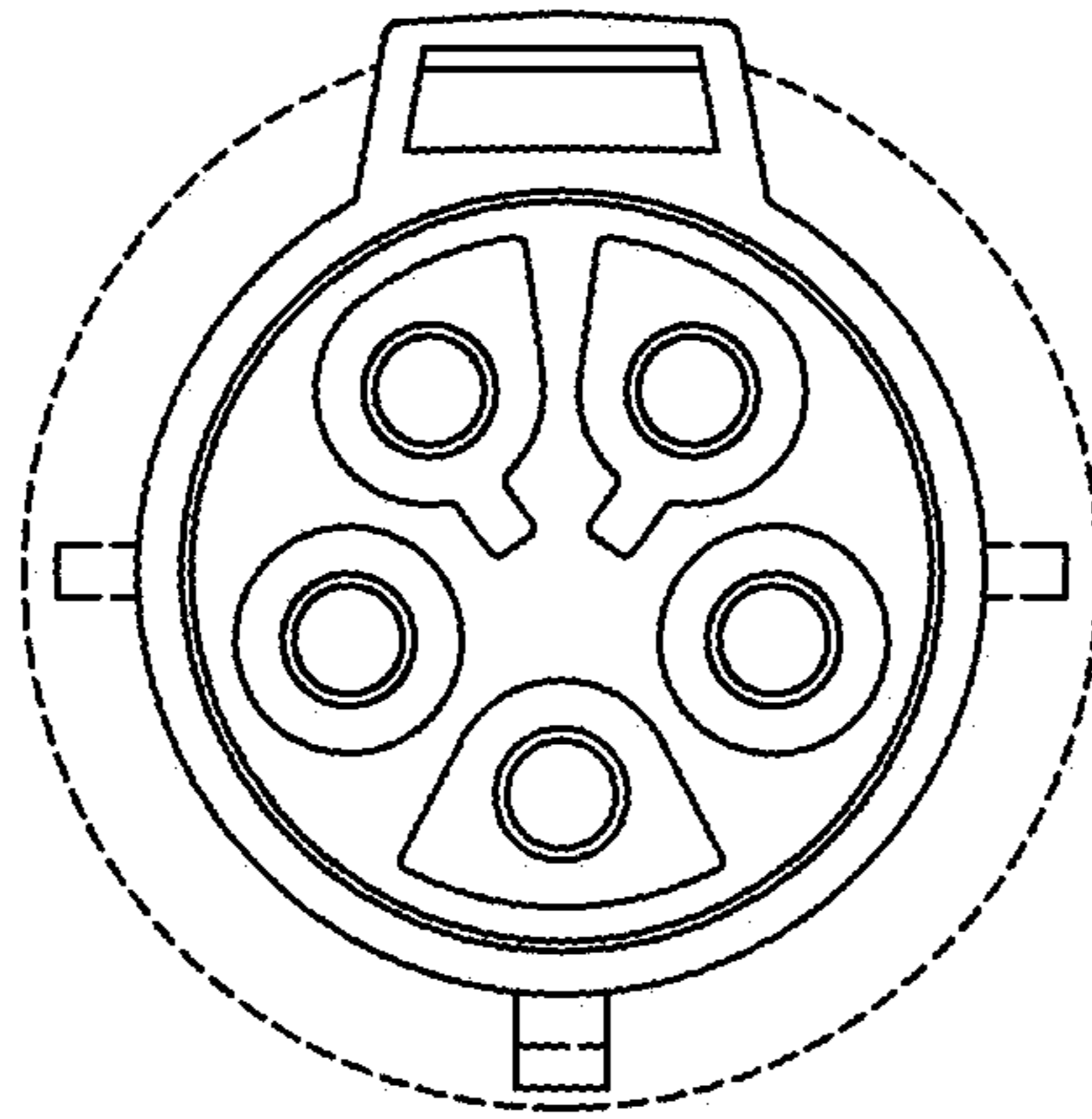


FIG. 18

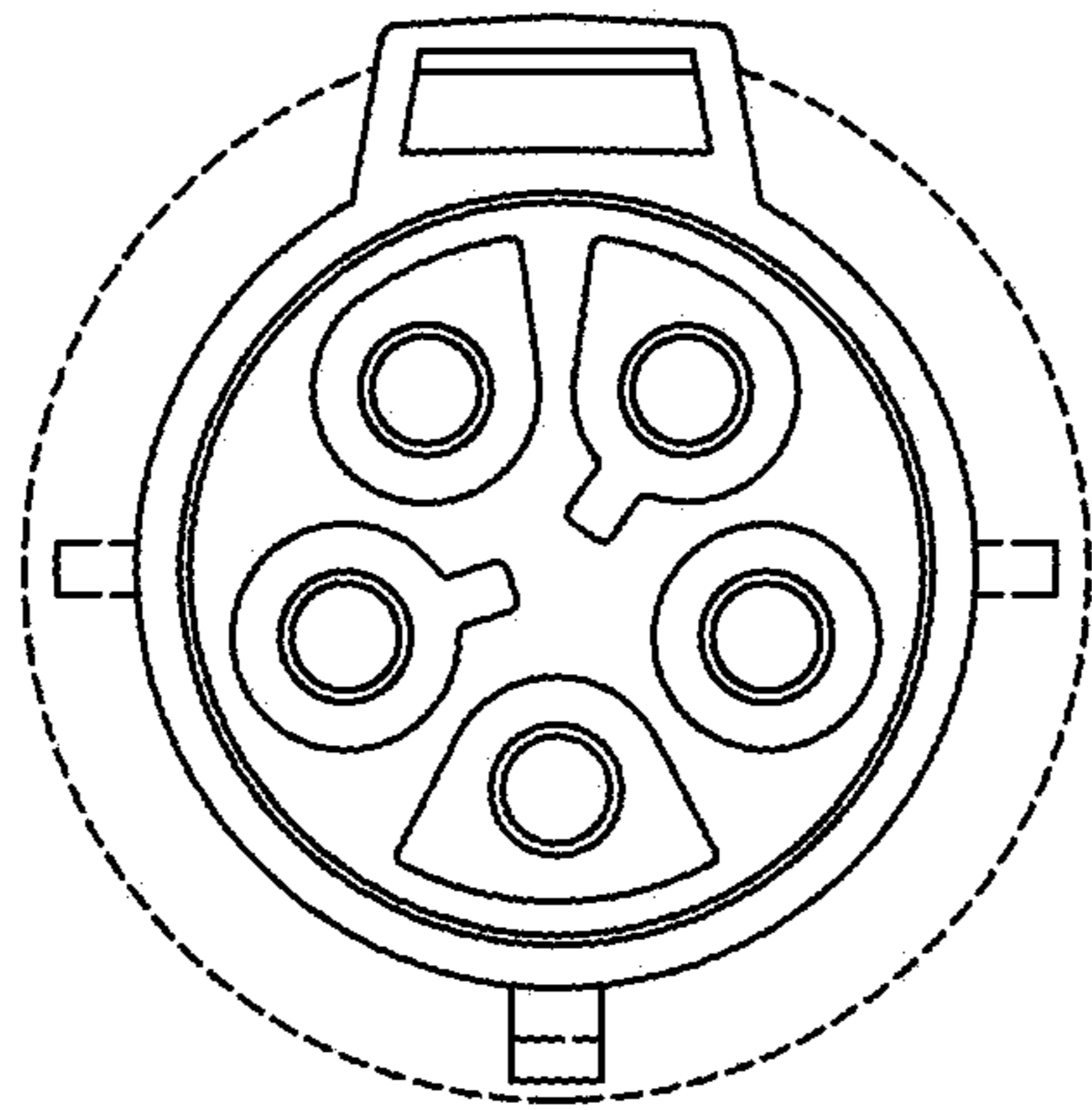


FIG. 19

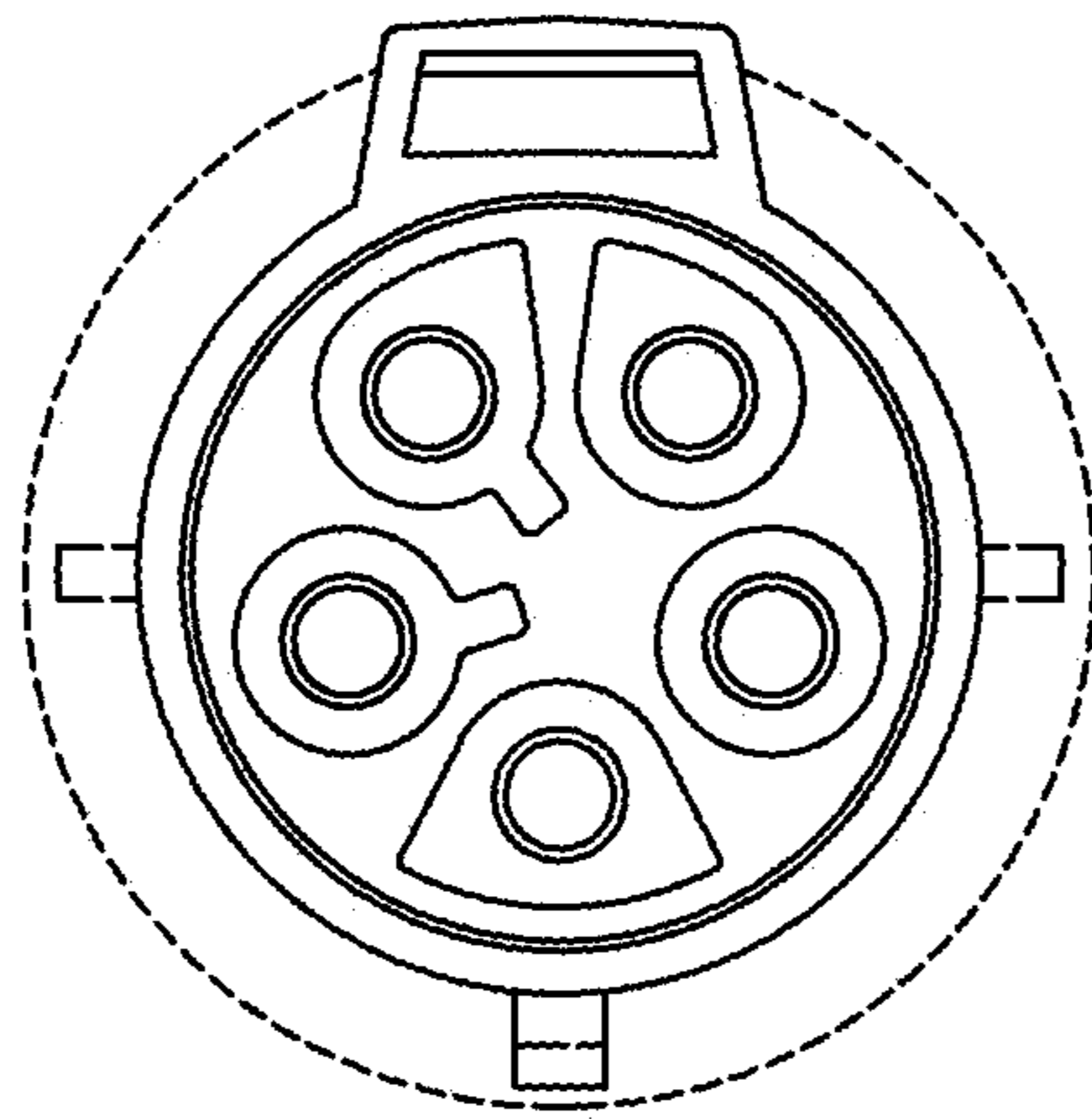


FIG. 20

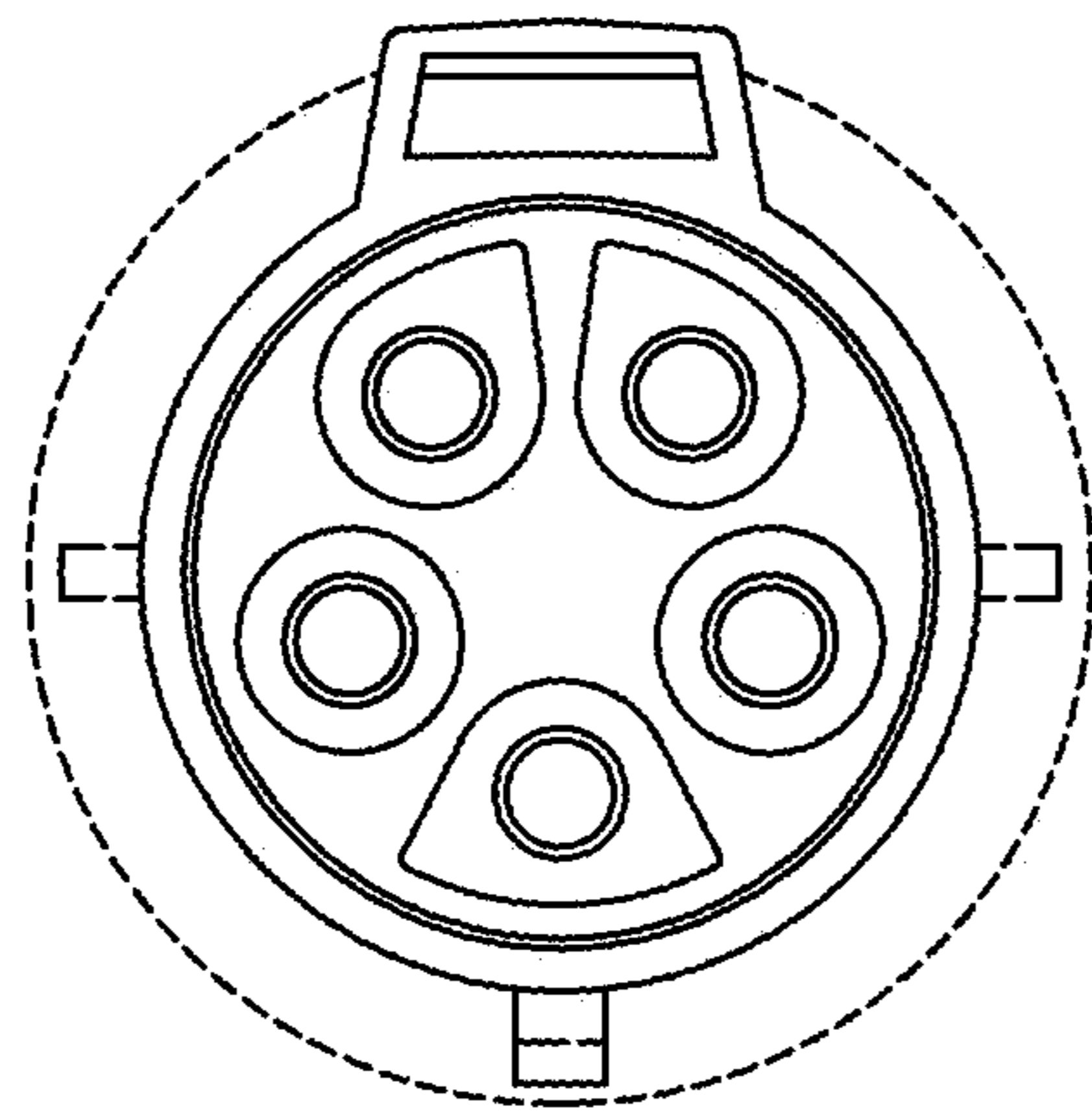


FIG. 21