



US00D722968S

(12) **United States Design Patent**  
**Takemoto**

(10) **Patent No.:** **US D722,968 S**

(45) **Date of Patent:** **\*\* Feb. 24, 2015**

(54) **ELECTRICAL CONNECTOR**

(71) Applicant: **Dai-Ichi Seiko Co., Ltd.**, Kyoto (JP)

(72) Inventor: **Masatoshi Takemoto**, Tokyo (JP)

(73) Assignee: **Dai-Ichi Seiko Co., Ltd.** (JP)

(\*\*) Term: **14 Years**

(21) Appl. No.: **29/475,616**

(22) Filed: **Dec. 4, 2013**

(30) **Foreign Application Priority Data**

Jun. 6, 2013 (JP) ..... 2013-012762

(51) **LOC (10) Cl.** ..... **13-03**

(52) **U.S. Cl.**  
USPC ..... **D13/147**

(58) **Field of Classification Search**  
USPC ..... D13/147, 154, 184, 199  
See application file for complete search history.

(56) **References Cited**

**U.S. PATENT DOCUMENTS**

D533,506 S \* 12/2006 Peng ..... D13/147  
D589,891 S \* 4/2009 Peng ..... D13/147  
D701,493 S \* 3/2014 Takemoto ..... D13/147

**FOREIGN PATENT DOCUMENTS**

JP D1459557 S 1/2013

\* cited by examiner

*Primary Examiner* — Daniel Bui

(74) *Attorney, Agent, or Firm* — Studebaker & Brackett PC;  
Donald R. Studebaker

(57) **CLAIM**

The ornamental design for an electrical connector, as shown and described.

**DESCRIPTION**

FIG. 1 is a top plan view of an electrical connector showing my new design;

FIG. 2 is a front view thereof;

FIG. 3 is a bottom view thereof;

FIG. 4 is a rear view thereof;

FIG. 5 is a right side view thereof, the left side view is a mirror image thereof;

FIG. 6 is a front, top and right side perspective view thereof, in use condition;

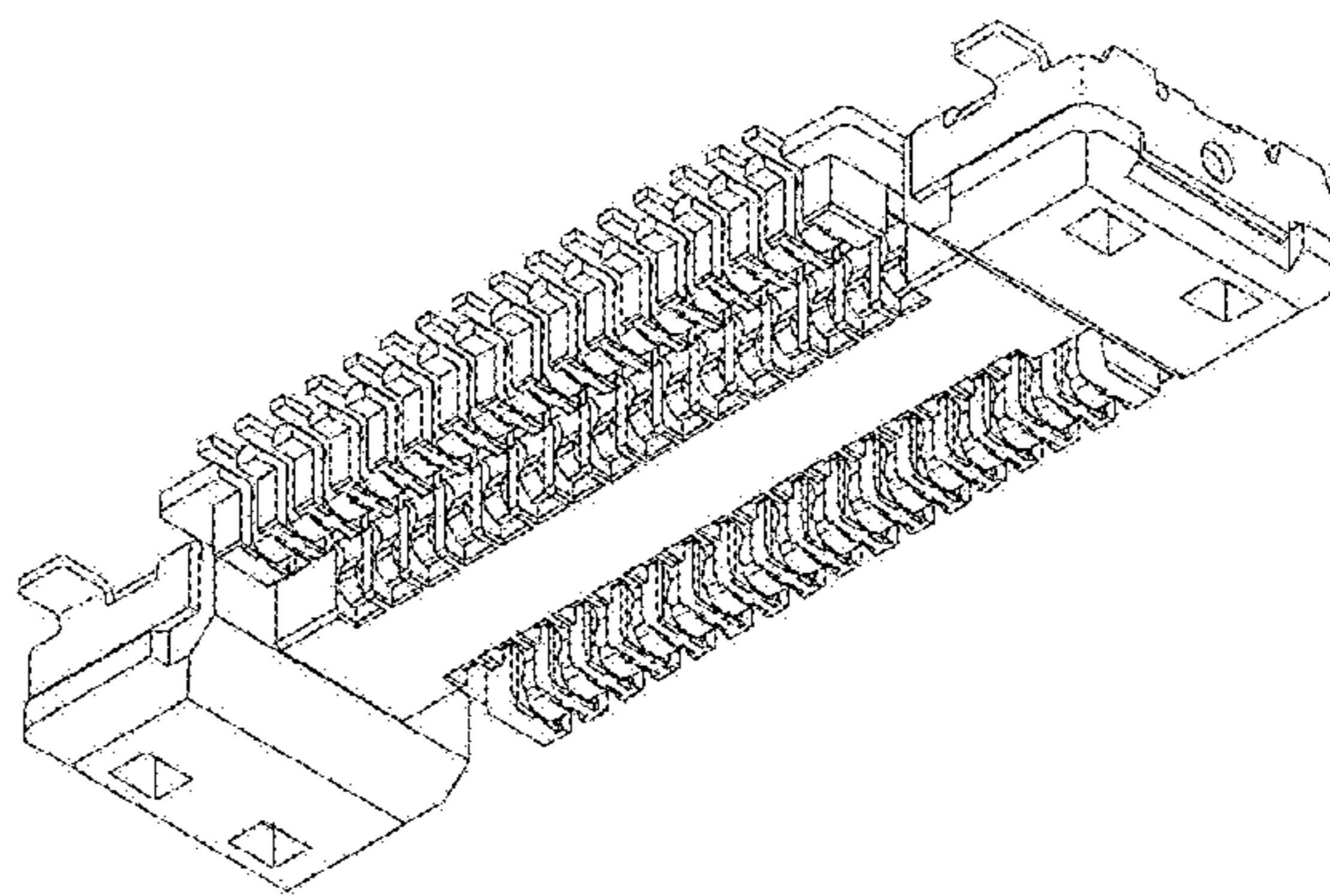
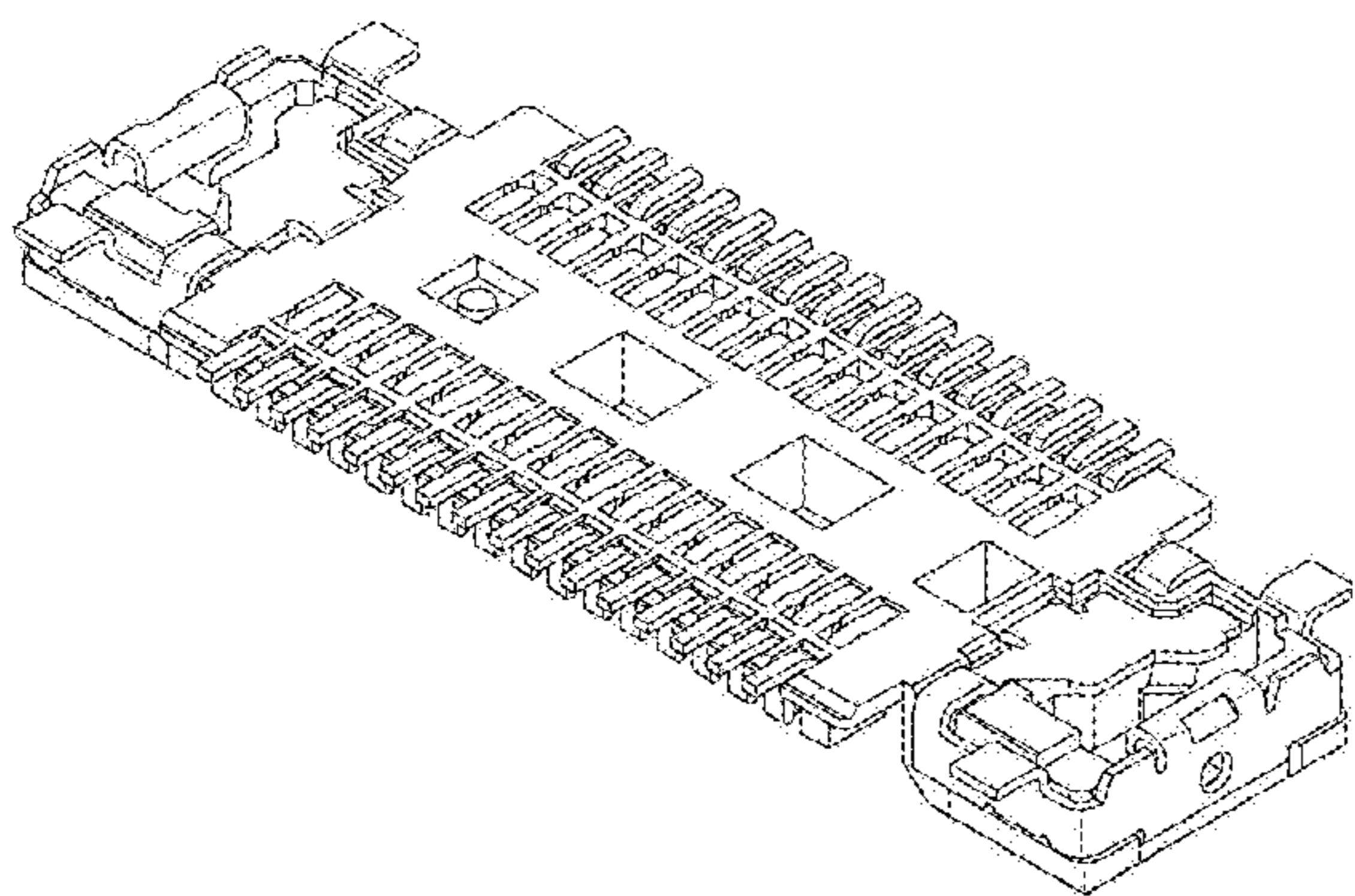
FIG. 7 is a front, bottom and right side perspective view thereof, in use condition;

FIG. 8 is a front, top and right side perspective view thereof; and,

FIG. 9 is a front, bottom and right side perspective view thereof.

The broken line portions in the figure drawing views are included to show unclaimed environmental structure only and forms no part of the claimed design.

**1 Claim, 9 Drawing Sheets**



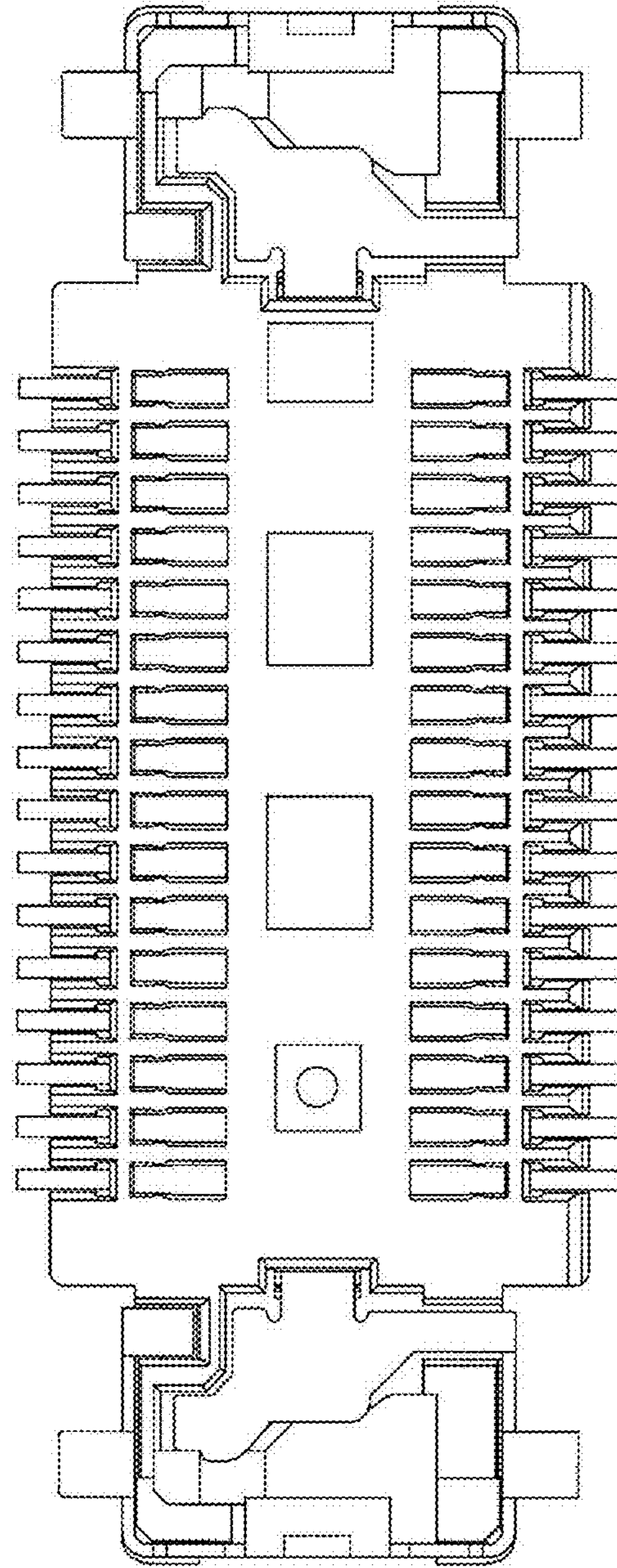
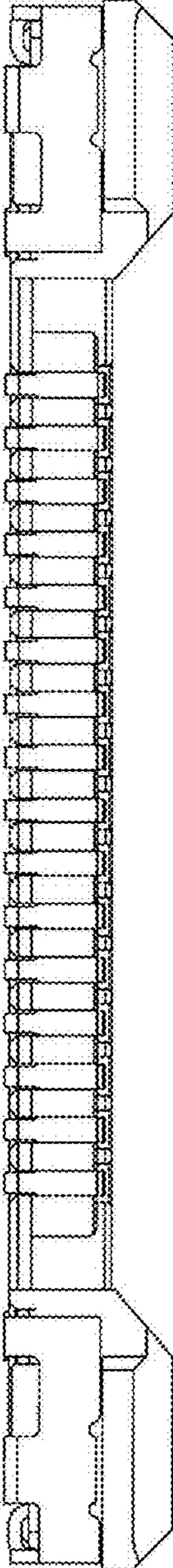


FIG. 1

FIG. 2



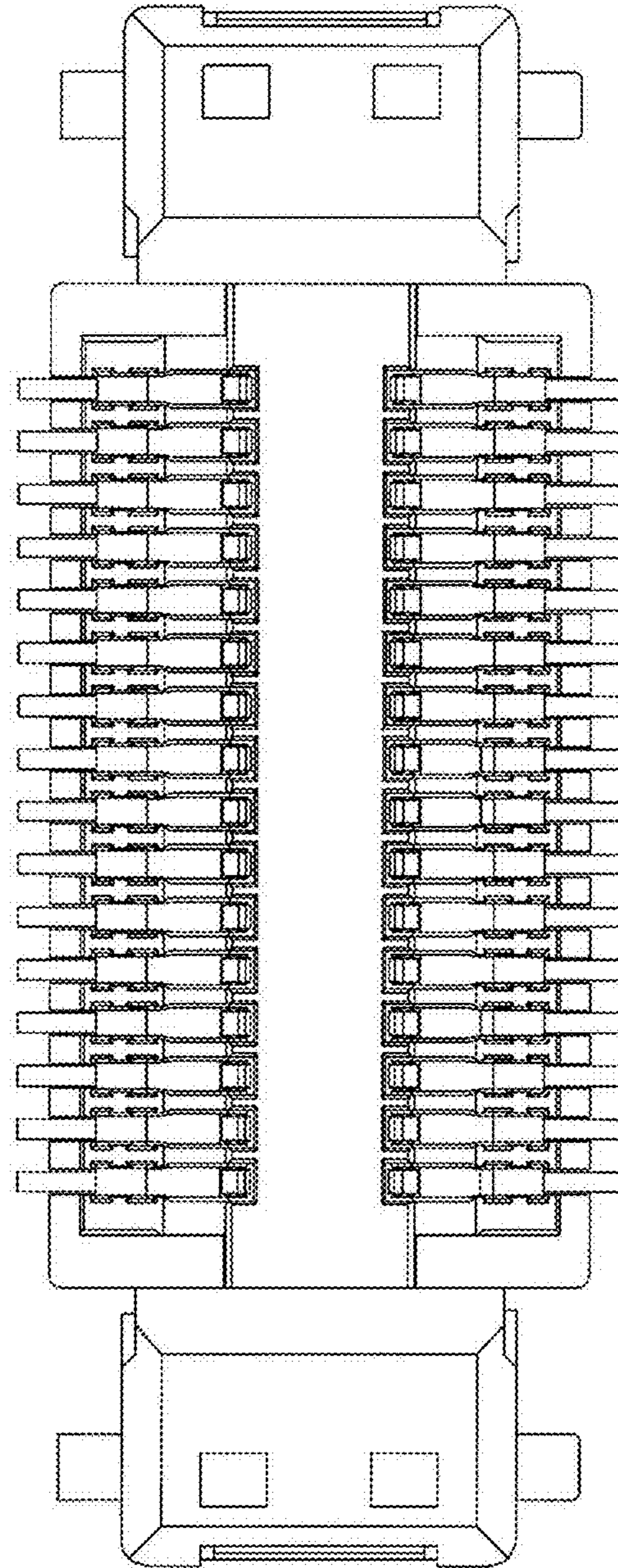


FIG. 3

FIG. 4

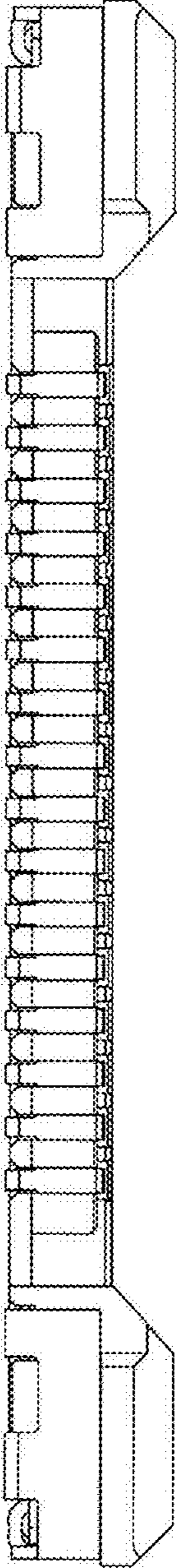
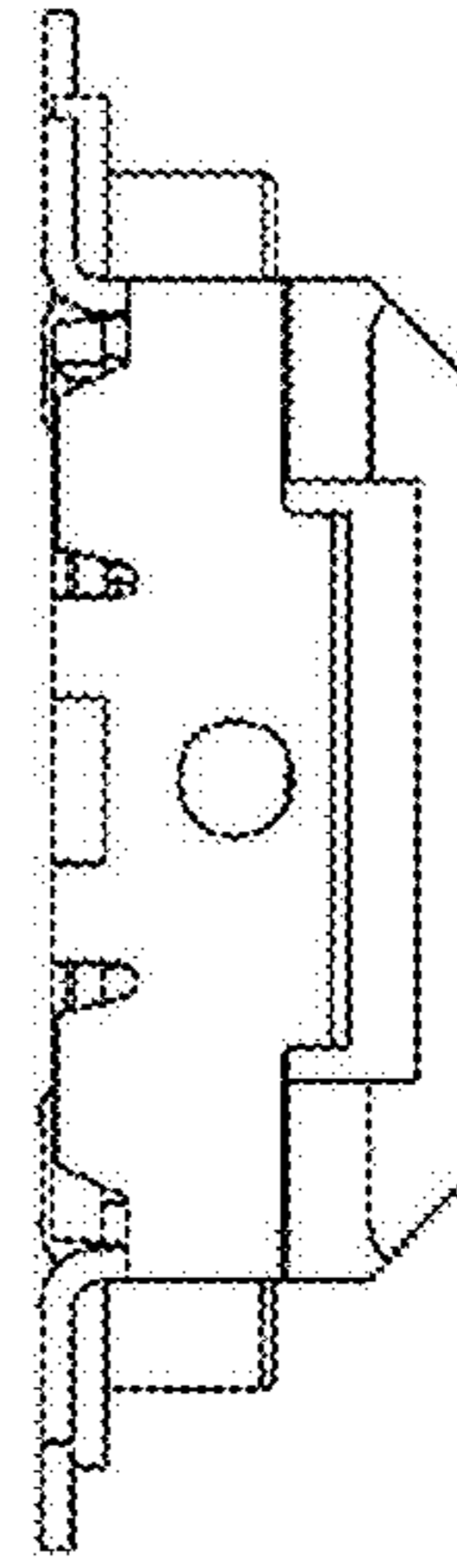


FIG. 5



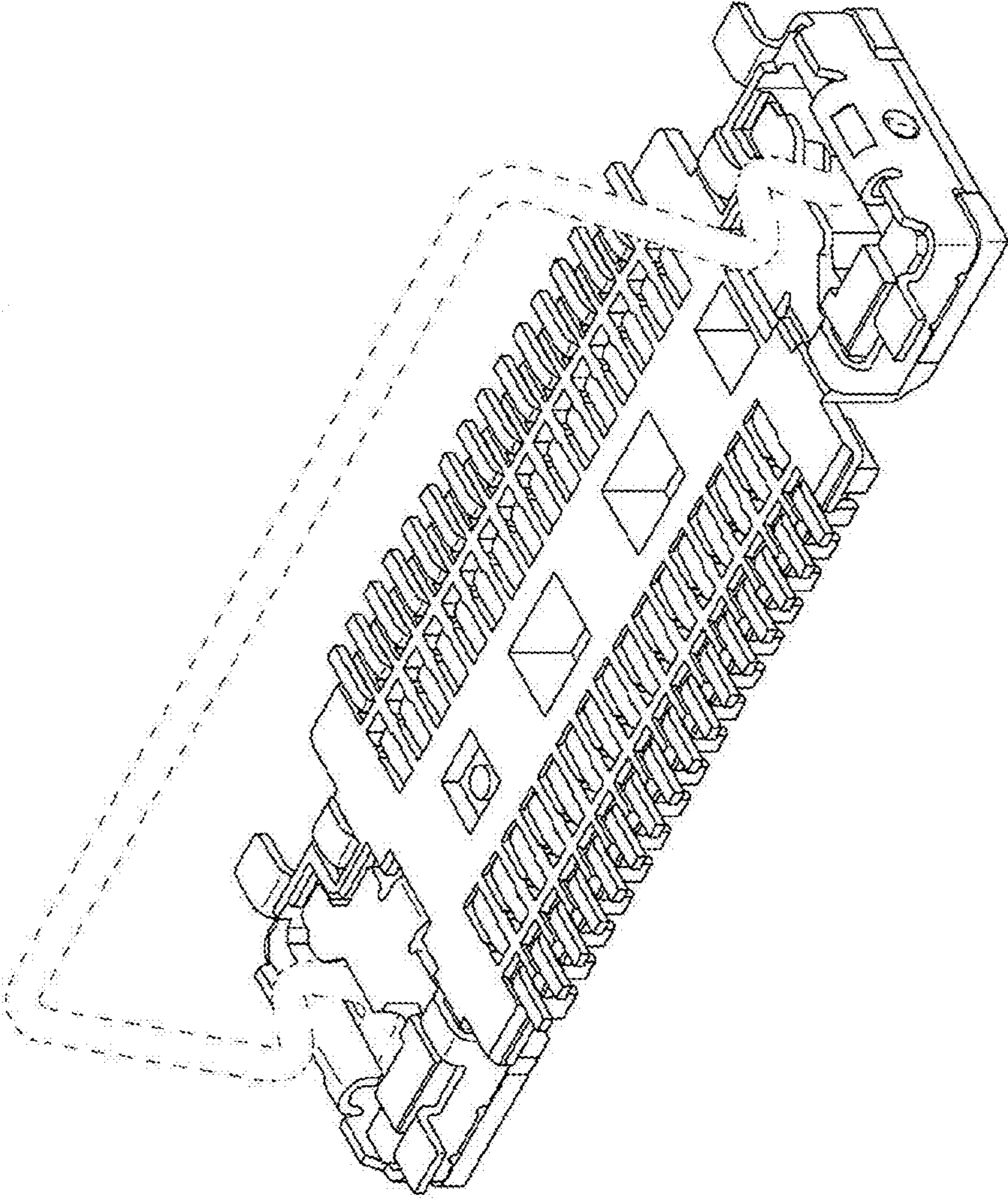


FIG. 6

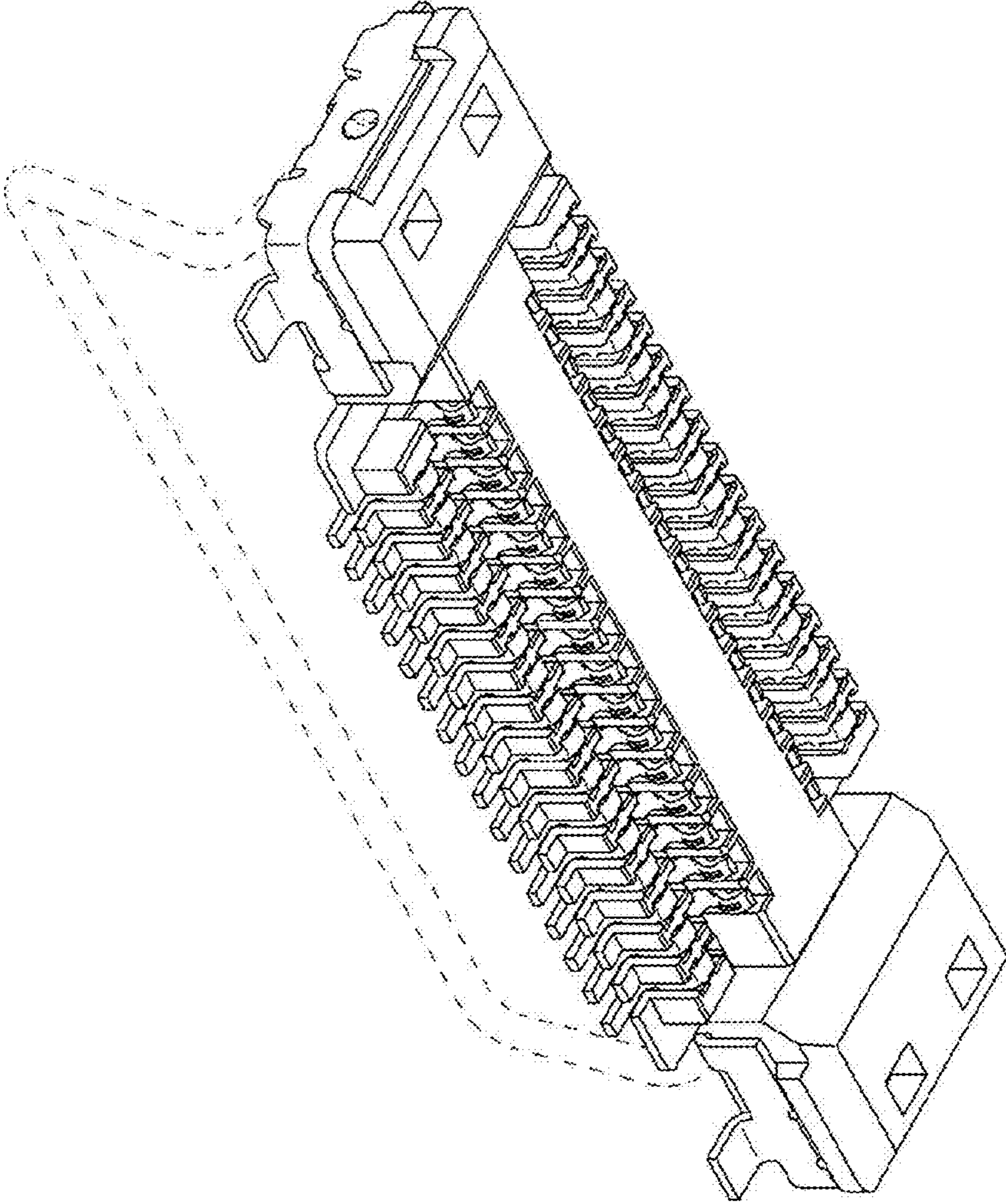


FIG. 7



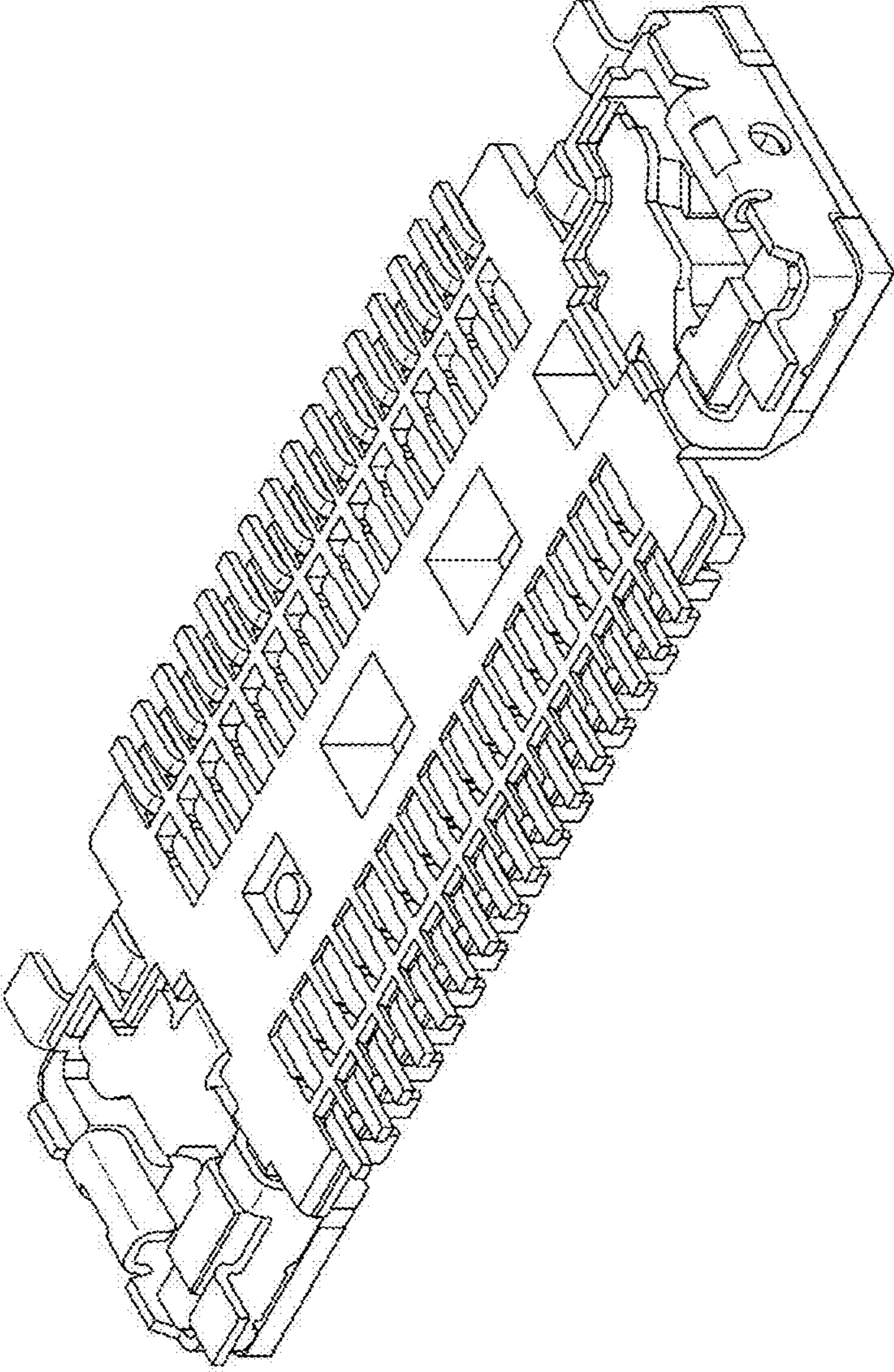


FIG. 8

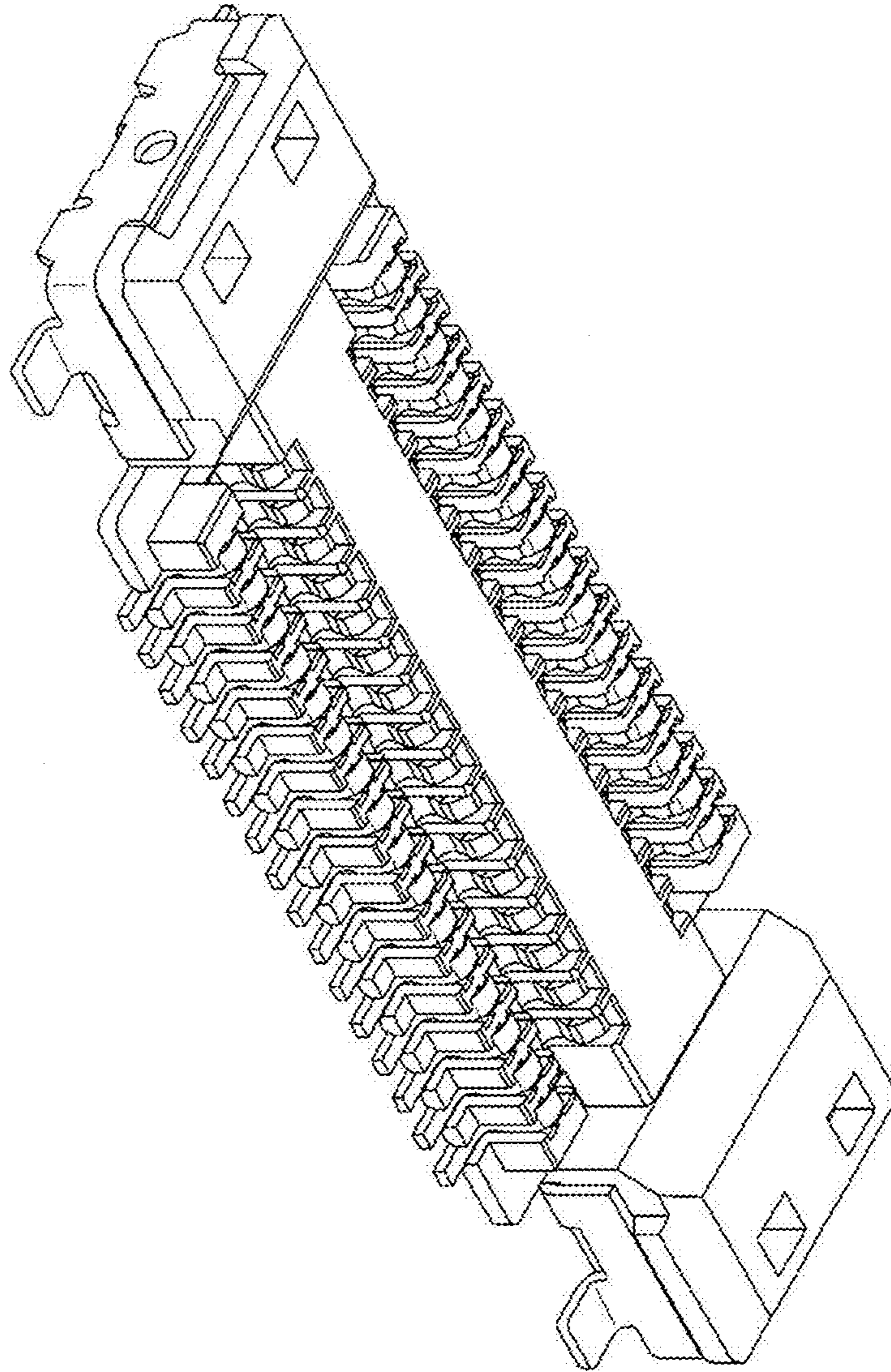


FIG. 9