



US00D722964S

(12) **United States Design Patent**
Regole

(10) **Patent No.:** **US D722,964 S**

(45) **Date of Patent:** **** Feb. 24, 2015**

(54) **PUCK-SHAPED CHARGING DEVICE**

(71) Applicant: **Anthony Regole**, Eagle River, WI (US)

(72) Inventor: **Anthony Regole**, Eagle River, WI (US)

(**) Term: **14 Years**

(21) Appl. No.: **29/492,077**

(22) Filed: **May 28, 2014**

(51) **LOC (10) Cl.** **13-02**

(52) **U.S. Cl.**
USPC **D13/108; D13/103**

(58) **Field of Classification Search**
USPC D13/107–110, 118–119, 184, 199;
D14/251, 253, 432, 434; 320/107–115,
320/128, 137–140
See application file for complete search history.

(56) **References Cited**

U.S. PATENT DOCUMENTS

D416,536 S	*	11/1999	Ross et al.	D13/107
D455,397 S	*	4/2002	Weiner et al.	D13/108
D469,774 S	*	2/2003	Bradley	D14/434
D469,775 S	*	2/2003	Bradley	D14/434
D525,193 S	*	7/2006	Vu	D13/108
D558,207 S	*	12/2007	Ikeda et al.	D14/434
D558,208 S	*	12/2007	Ikeda et al.	D14/434
D558,209 S	*	12/2007	Ikeda et al.	D14/434

D585,898 S	*	2/2009	Skurdal	D14/434
D682,198 S	*	5/2013	Vu	D13/108
D682,200 S	*	5/2013	Rautiainen	D13/108
D691,947 S	*	10/2013	Cole et al.	D13/108
D697,475 S	*	1/2014	Regole	D13/108

* cited by examiner

Primary Examiner — Rosemary K Tarcza

(74) *Attorney, Agent, or Firm* — Polsinelli PC

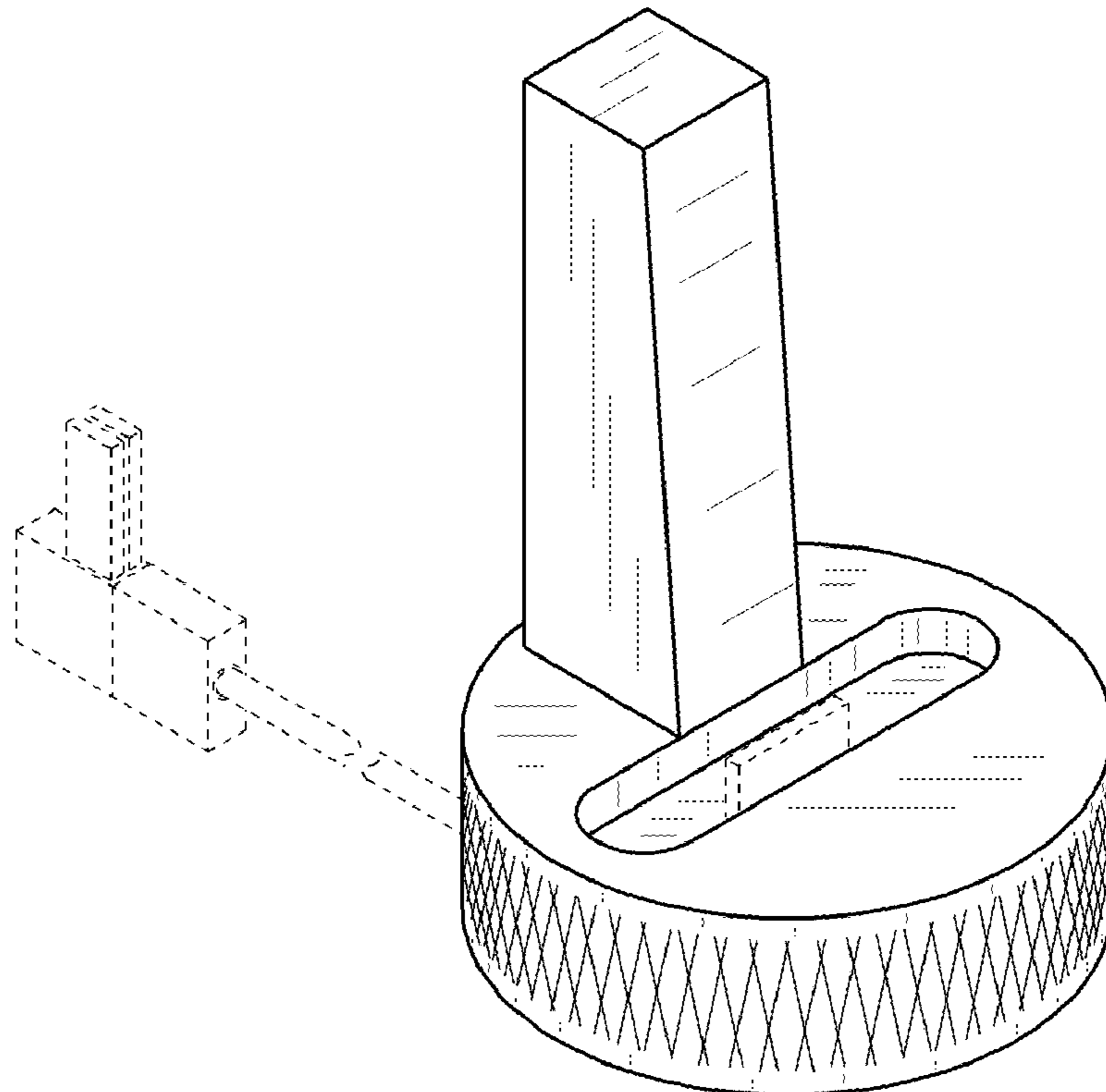
(57) **CLAIM**

The ornamental design for a puck-shaped charging device, as shown and described.

DESCRIPTION

FIG. 1 is a perspective view of the puck-shaped charging device;
FIG. 2 is a front view of the puck-shaped charging device;
FIG. 3 is a rear view of the puck-shaped charging device;
FIG. 4 is a first side view of the puck-shaped charging device;
FIG. 5 is a second side view of the puck-shaped charging device;
FIG. 6 is a top view of the puck-shaped charging device; and,
FIG. 7 is a bottom view of the puck-shaped charging device.
The broken lines shown in FIGS. 1, 3, 4, 5, 6, and 7 are included for the purpose of illustrating portions of the puck-shaped charging device that form no part of the claimed design.

1 Claim, 3 Drawing Sheets



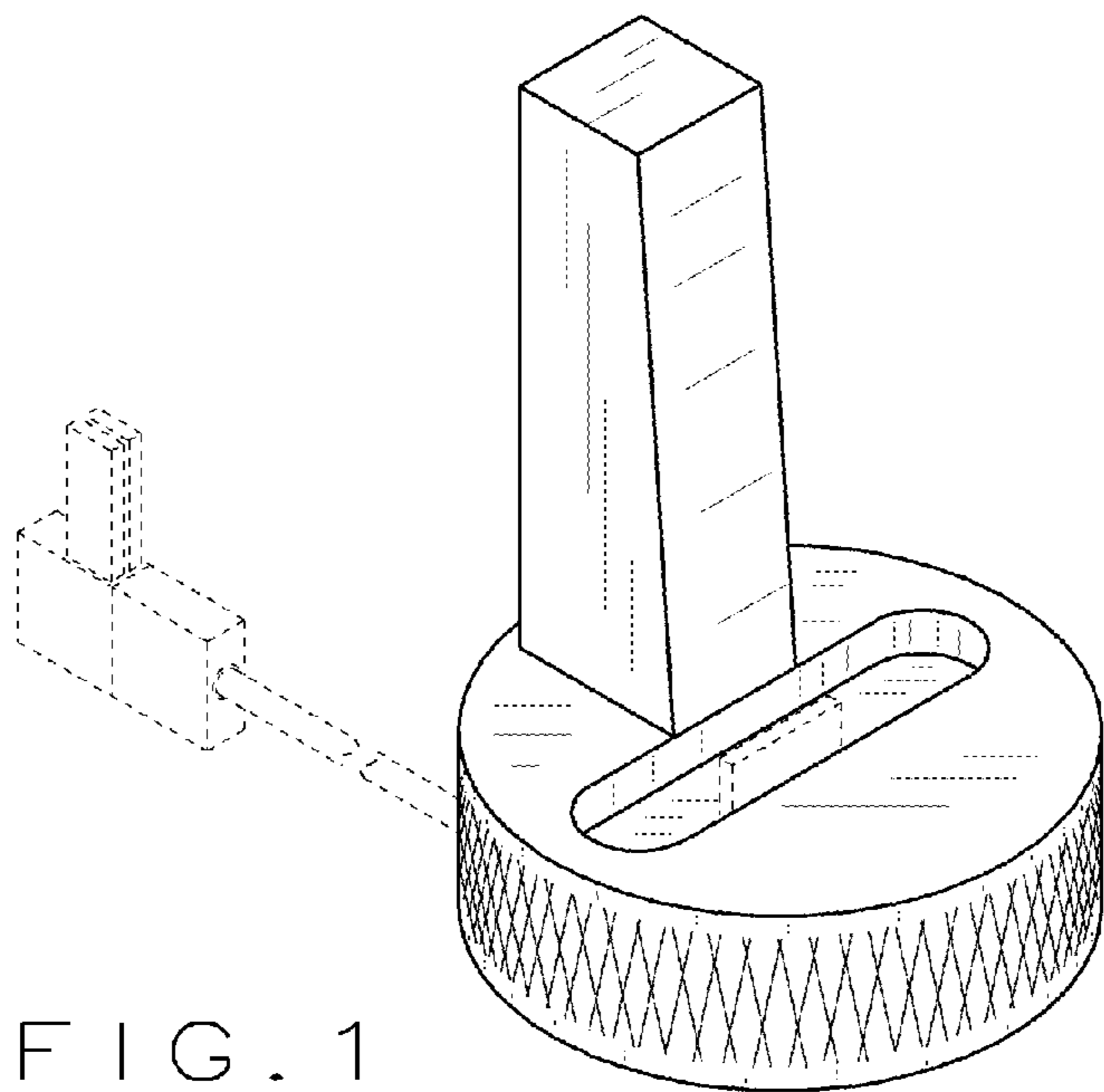


FIG. 1

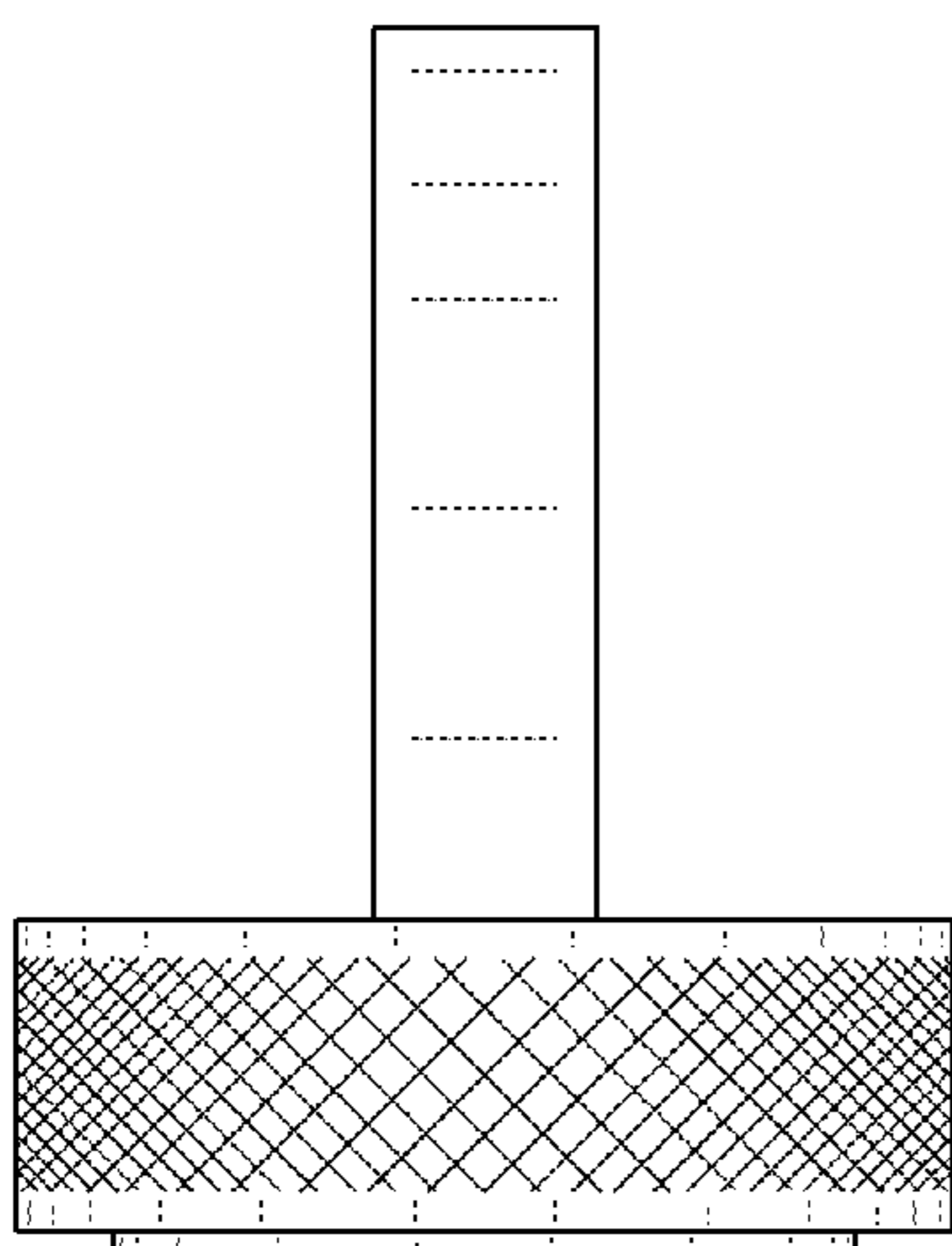


FIG. 2

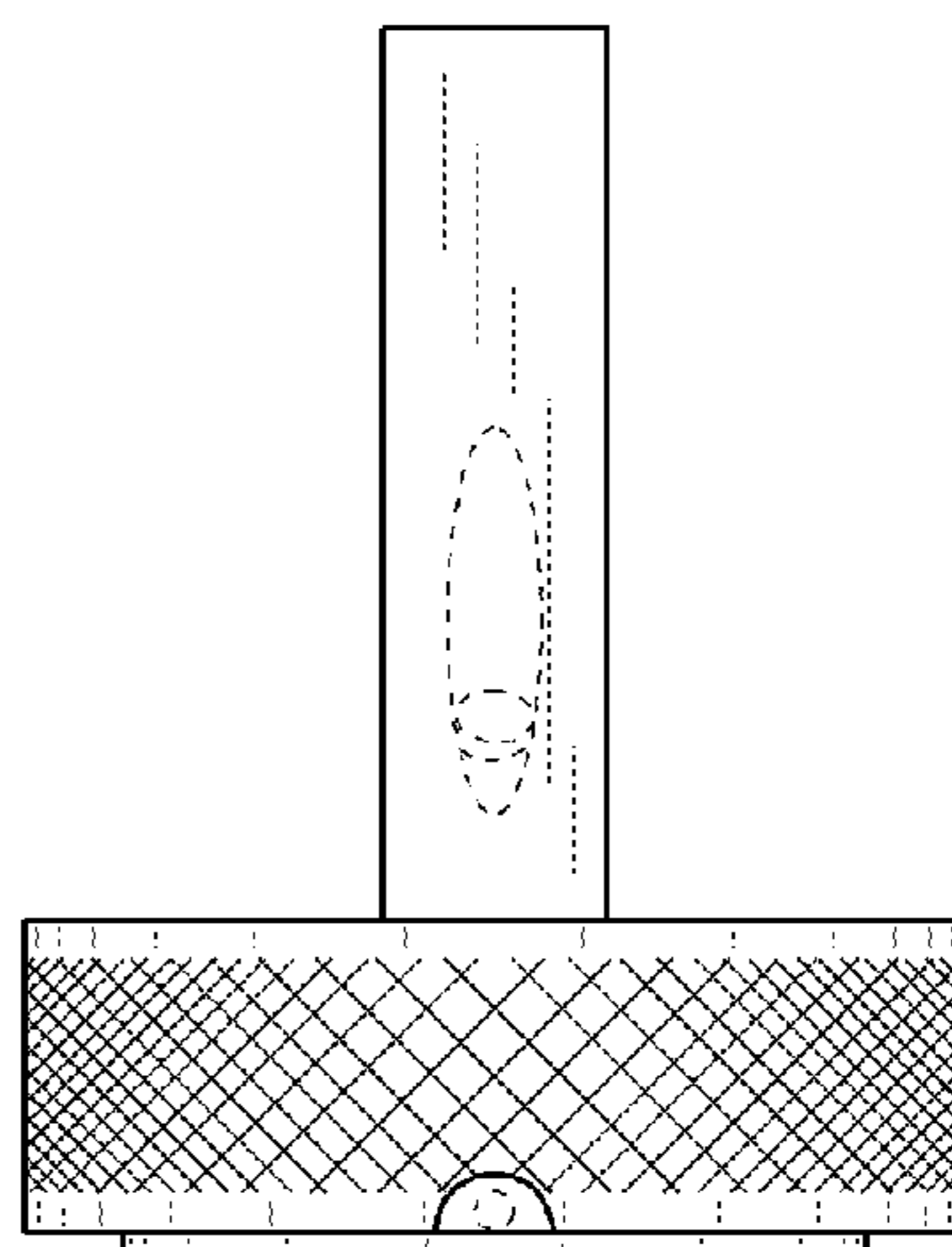


FIG. 3

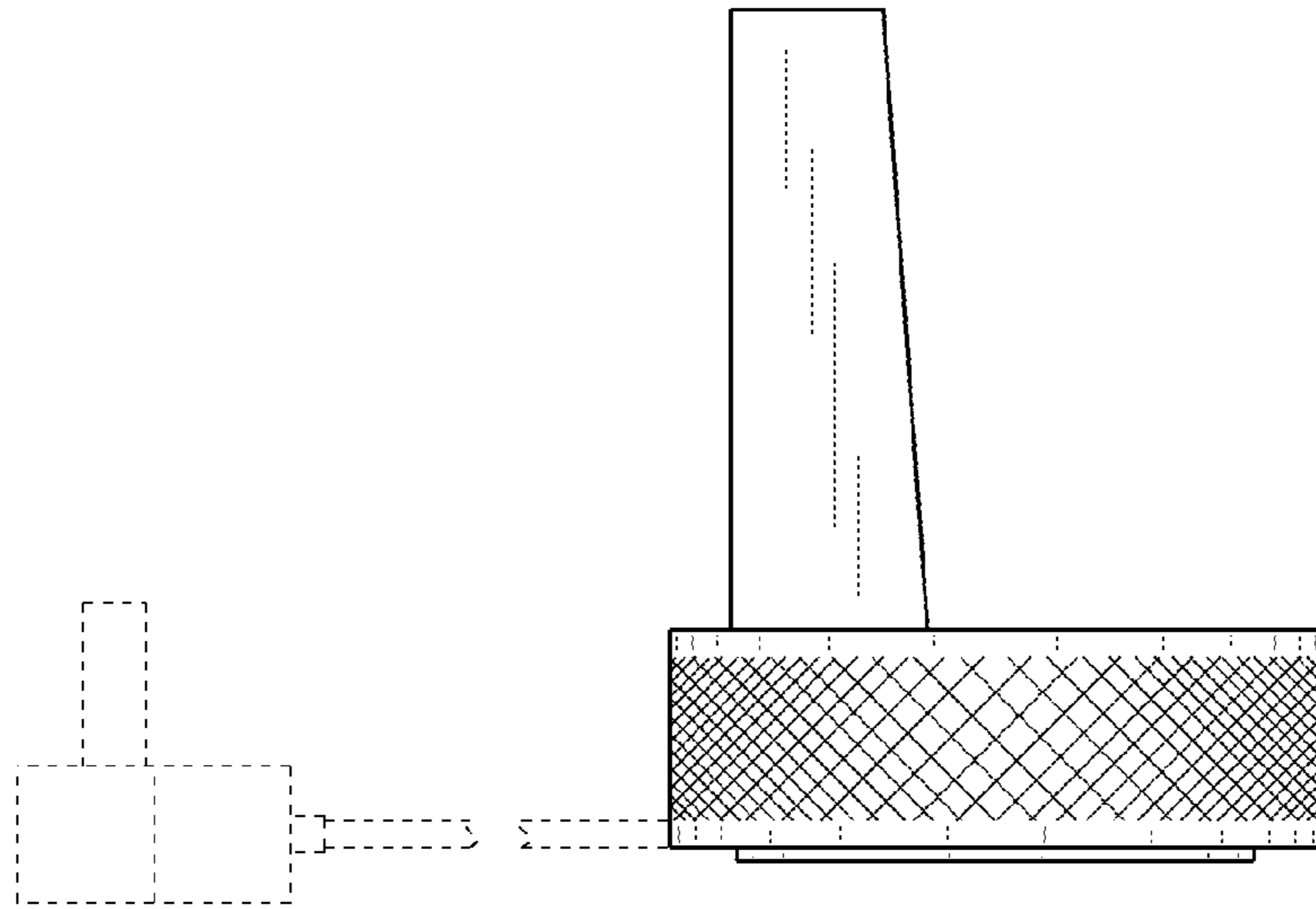


FIG. 4

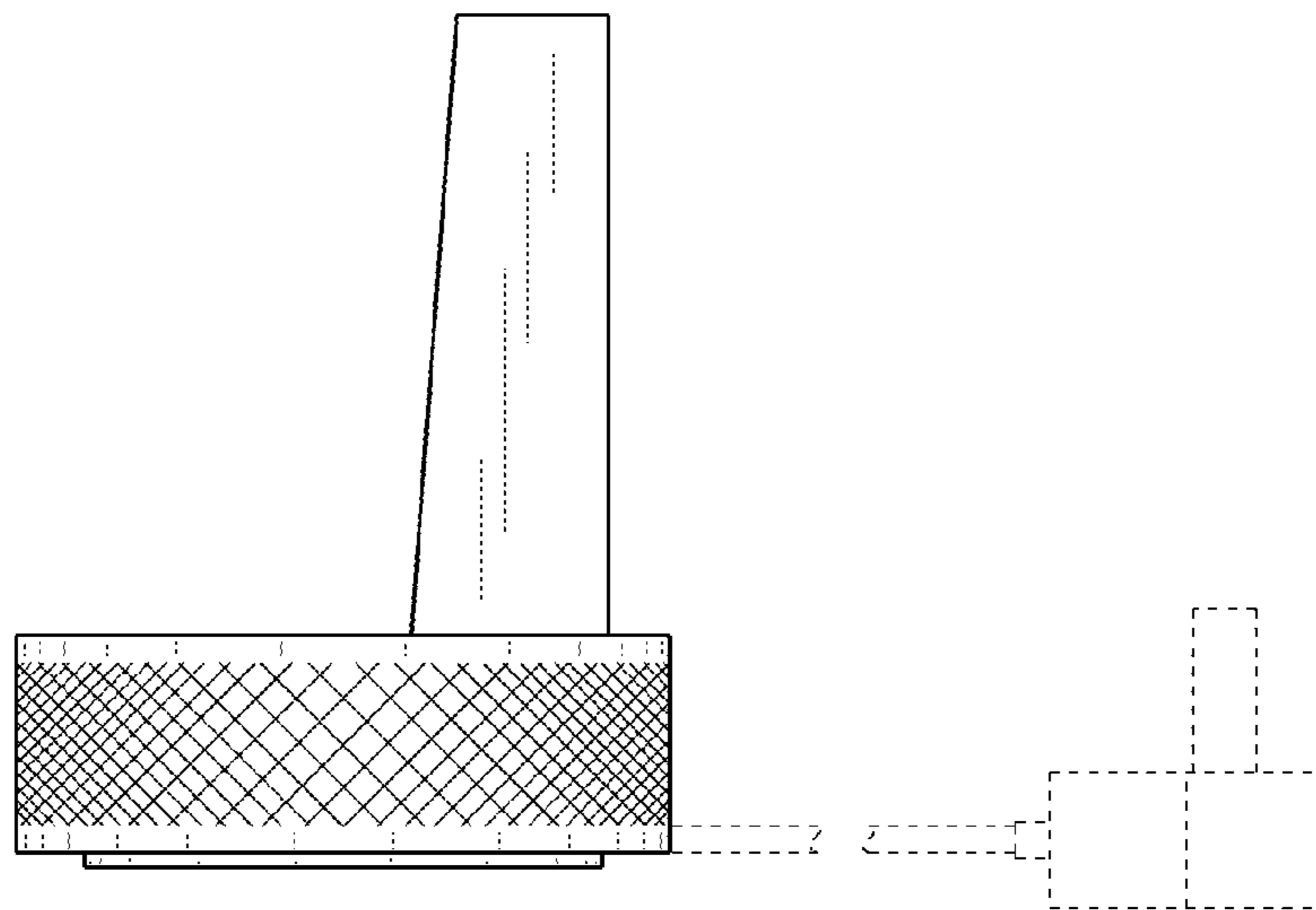


FIG. 5

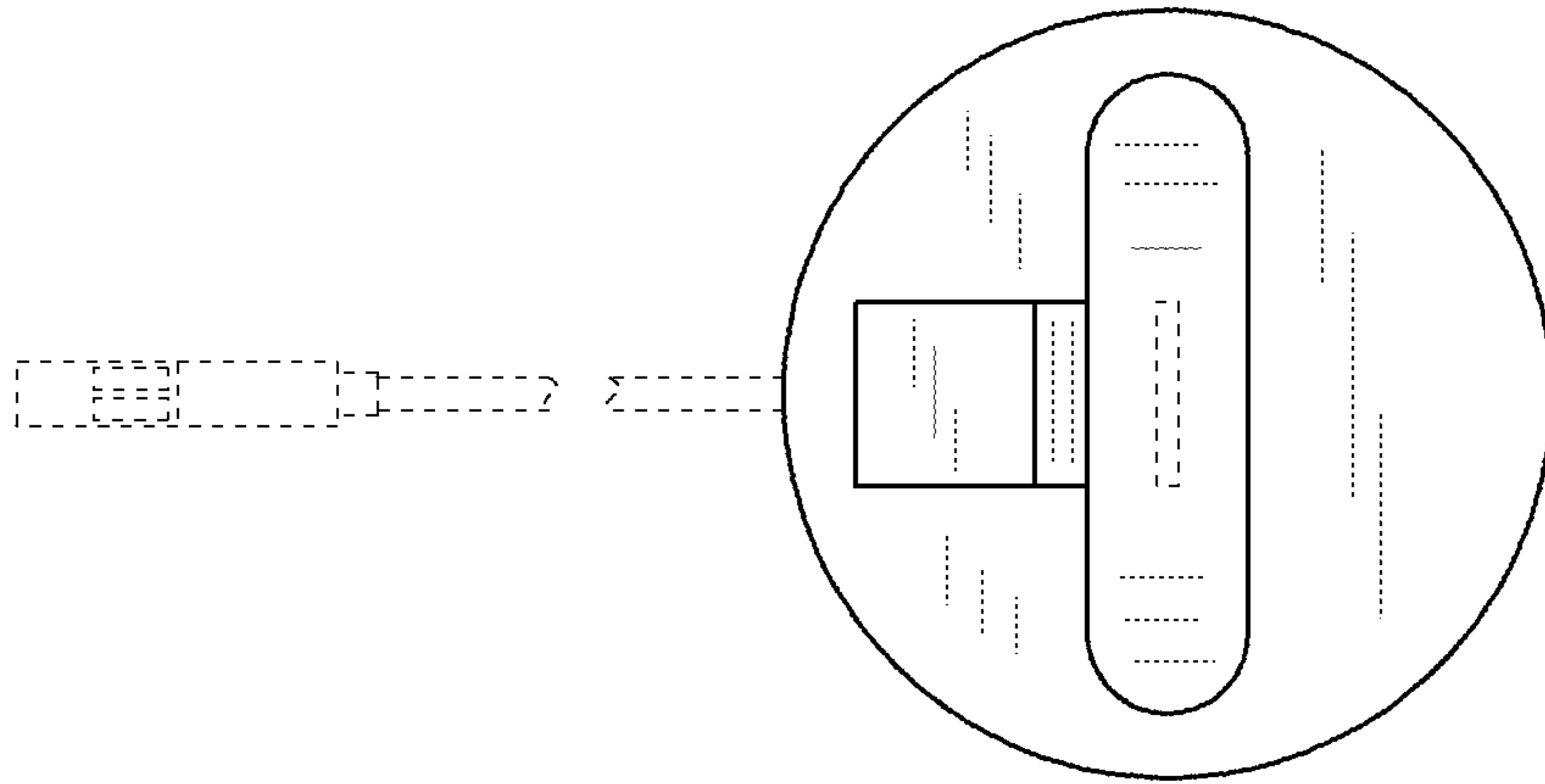


FIG. 6

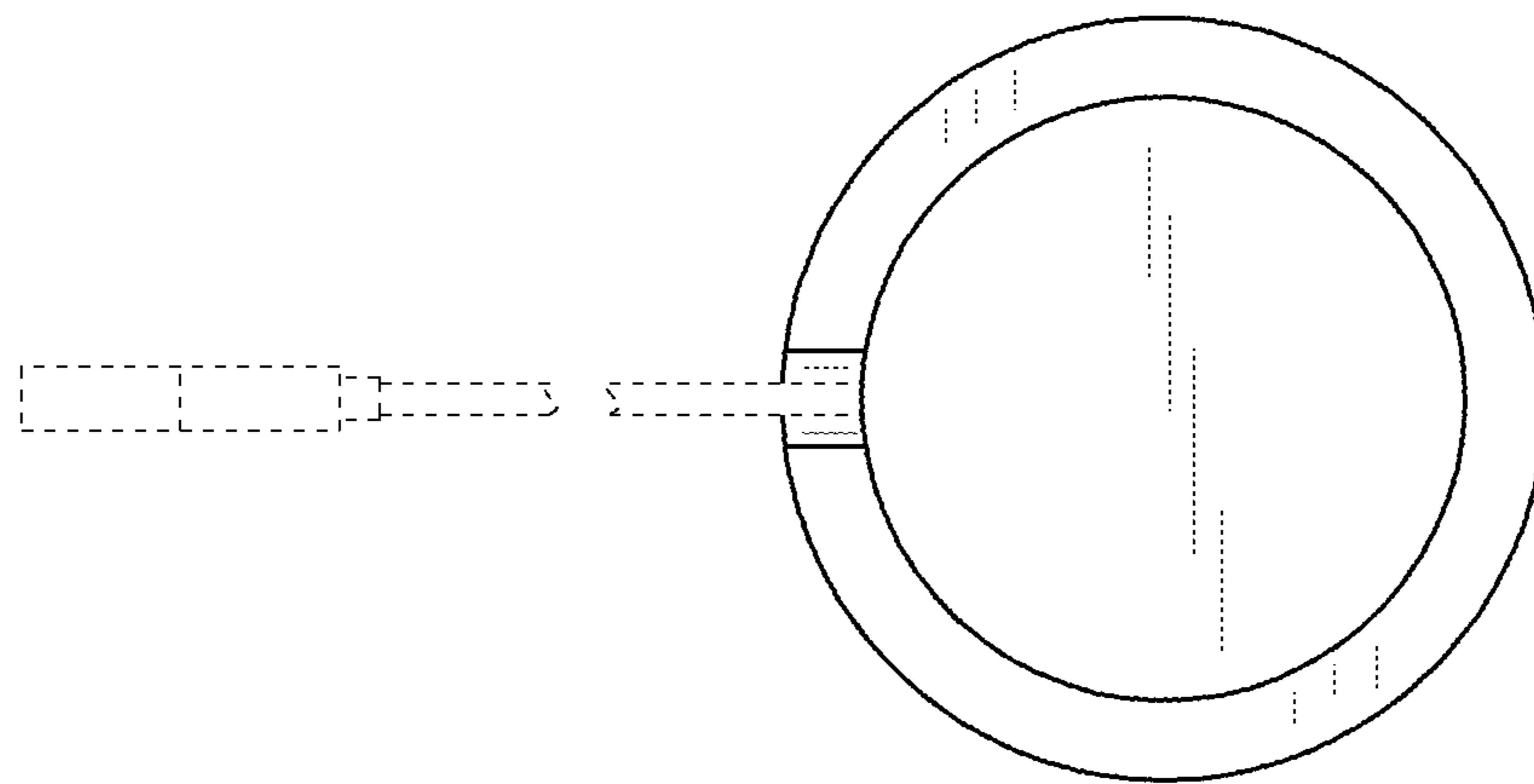


FIG. 7