



US00D722963S

(12) **United States Design Patent**  
**Au-Yeung**

(10) **Patent No.:** **US D722,963 S**

(45) **Date of Patent:** **\*\* Feb. 24, 2015**

(54) **WALL MOUNT CHARGING STATION**

(71) Applicant: **Kidigi Company Limited**, Kowloon (HK)

(72) Inventor: **Wai Cheong Au-Yeung**, Kowloon (HK)

(73) Assignee: **Kidigi Company Limited**, Kowloon (HK)

(\*\*) Term: **14 Years**

(21) Appl. No.: **29/491,795**

(22) Filed: **May 23, 2014**

(51) **LOC (10) Cl.** ..... **13-02**

(52) **U.S. Cl.**  
USPC ..... **D13/108**

(58) **Field of Classification Search**  
USPC ..... D13/107-110, 118-119, 184, 199;  
D14/251, 253, 432, 434; 320/107-115,  
320/137-140

See application file for complete search history.

(56) **References Cited**

**U.S. PATENT DOCUMENTS**

D328,078 S *	7/1992	Jacobs	.....	D14/253
D512,066 S *	11/2005	Solomon et al.	.....	D14/434
D516,562 S *	3/2006	Solomon et al.	.....	D14/434
D520,014 S *	5/2006	Harris et al.	.....	D14/434
D585,897 S *	2/2009	Carnevali	.....	D14/434
D631,008 S *	1/2011	Kuroda et al.	.....	D13/108
D639,810 S *	6/2011	Hwang et al.	.....	D14/434

D649,145 S *	11/2011	LaFargue et al.	.....	D14/253
D663,726 S *	7/2012	Gourley	.....	D14/251
D680,542 S *	4/2013	Lee et al.	.....	D14/434
D685,797 S *	7/2013	Fahrendorff et al.	.....	D14/434
D688,201 S *	8/2013	Mecca et al.	.....	D13/108
D688,202 S *	8/2013	Mecca et al.	.....	D13/108
D689,045 S *	9/2013	Mardas	.....	D14/253
D690,647 S *	10/2013	Huang et al.	.....	D13/108
D690,690 S *	10/2013	Wikel et al.	.....	D14/253
D693,802 S *	11/2013	Wikel	.....	D14/253
2007/0152633 A1 *	7/2007	Lee	.....	320/114

\* cited by examiner

*Primary Examiner* — Rosemary K Tarcza

(74) *Attorney, Agent, or Firm* — Muncy, Geissler, Olds & Lowe. P.C.

(57) **CLAIM**

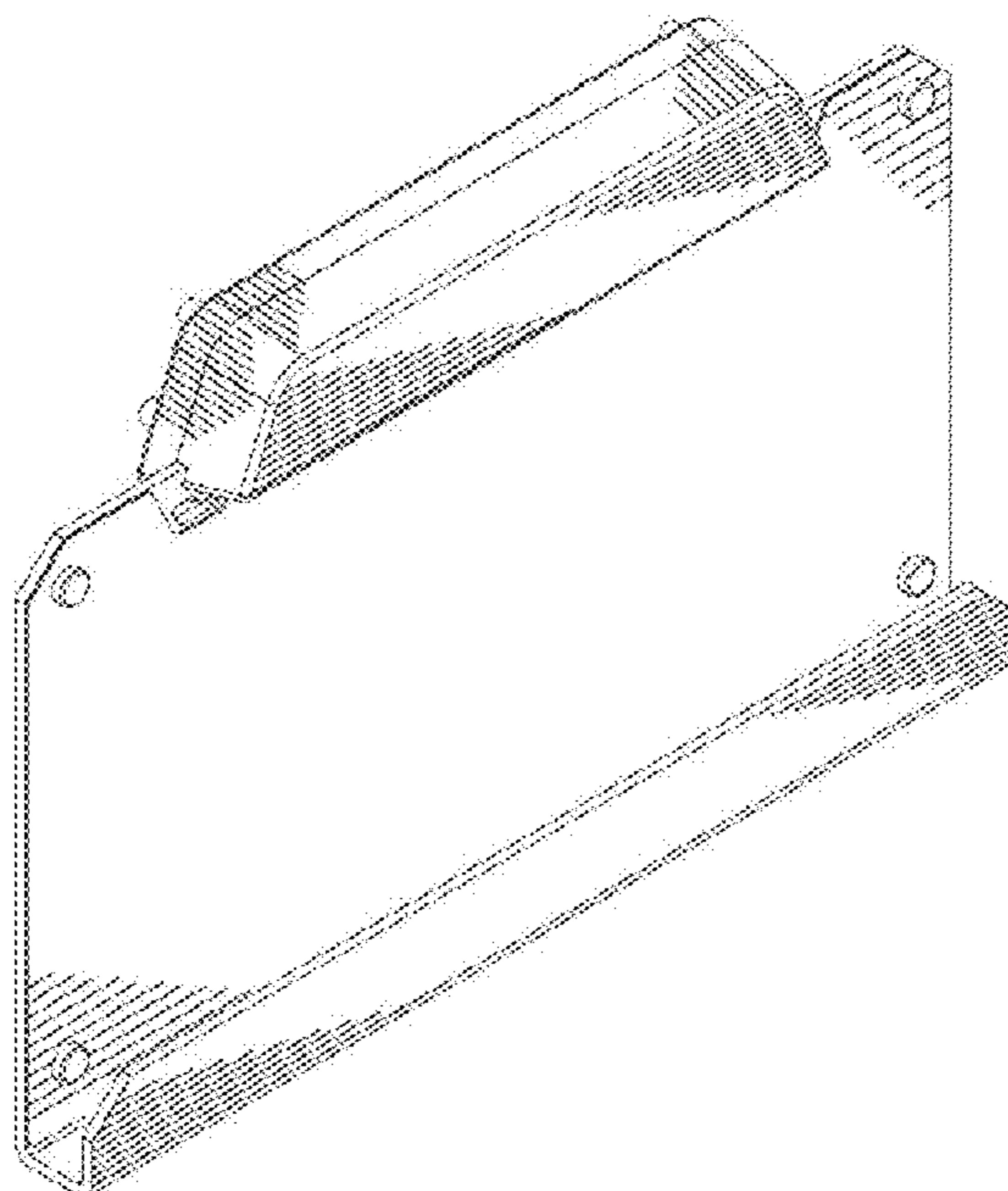
The ornamental design for a wall mount charging station, as shown and described.

**DESCRIPTION**

FIG. 1 is a front, left perspective view of a wall mount charging station showing my new design;  
FIG. 2 is a rear elevational view thereof;  
FIG. 3 is a front elevational view thereof;  
FIG. 4 is a left side view thereof;  
FIG. 5 is a right side view thereof;  
FIG. 6 is a bottom plan view thereof; and,  
FIG. 7 is a top plan view thereof.

The broken line showing is for the purpose of illustrating environment structure and forms no part of the claimed design.

**1 Claim, 7 Drawing Sheets**



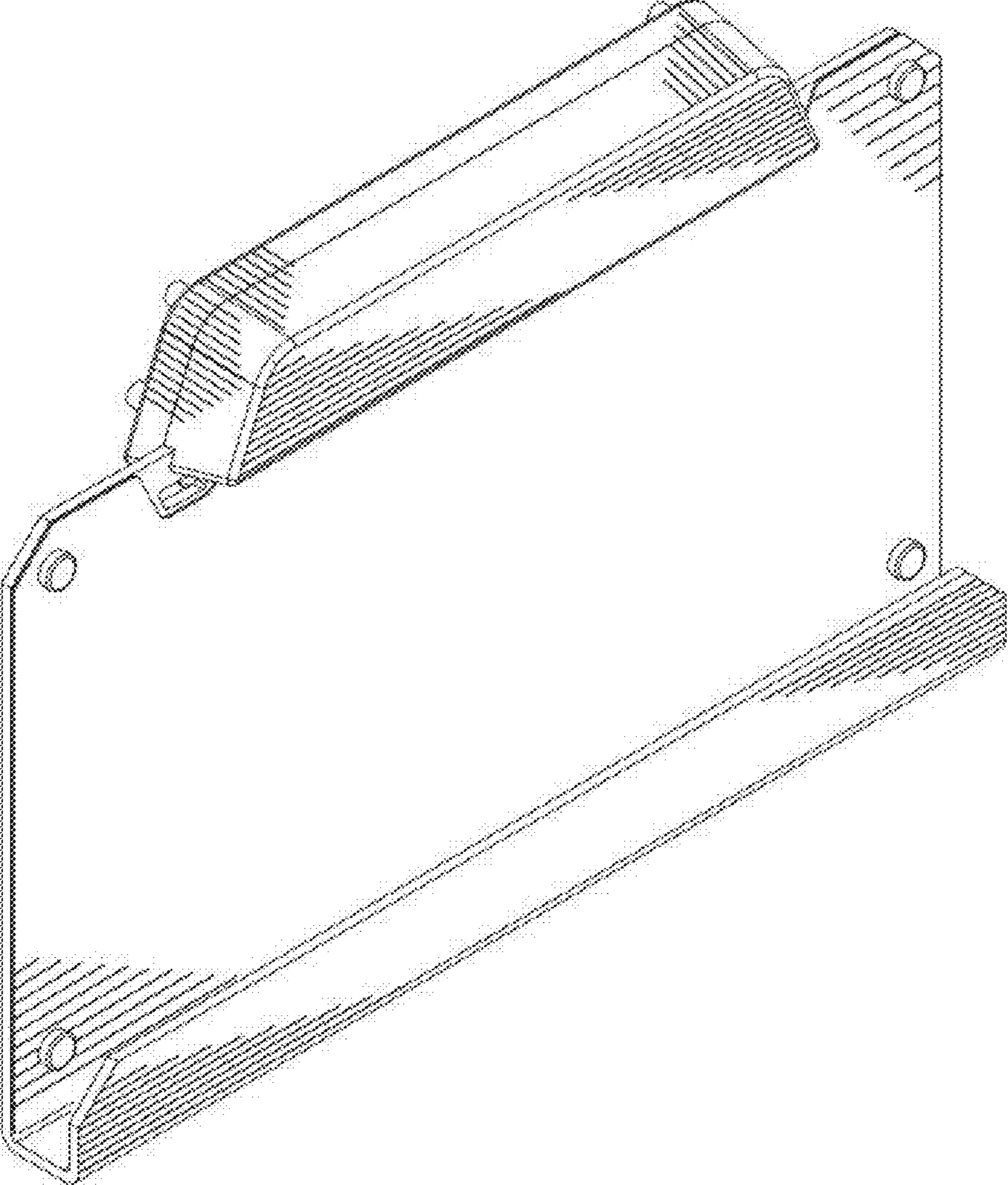


FIG. 1

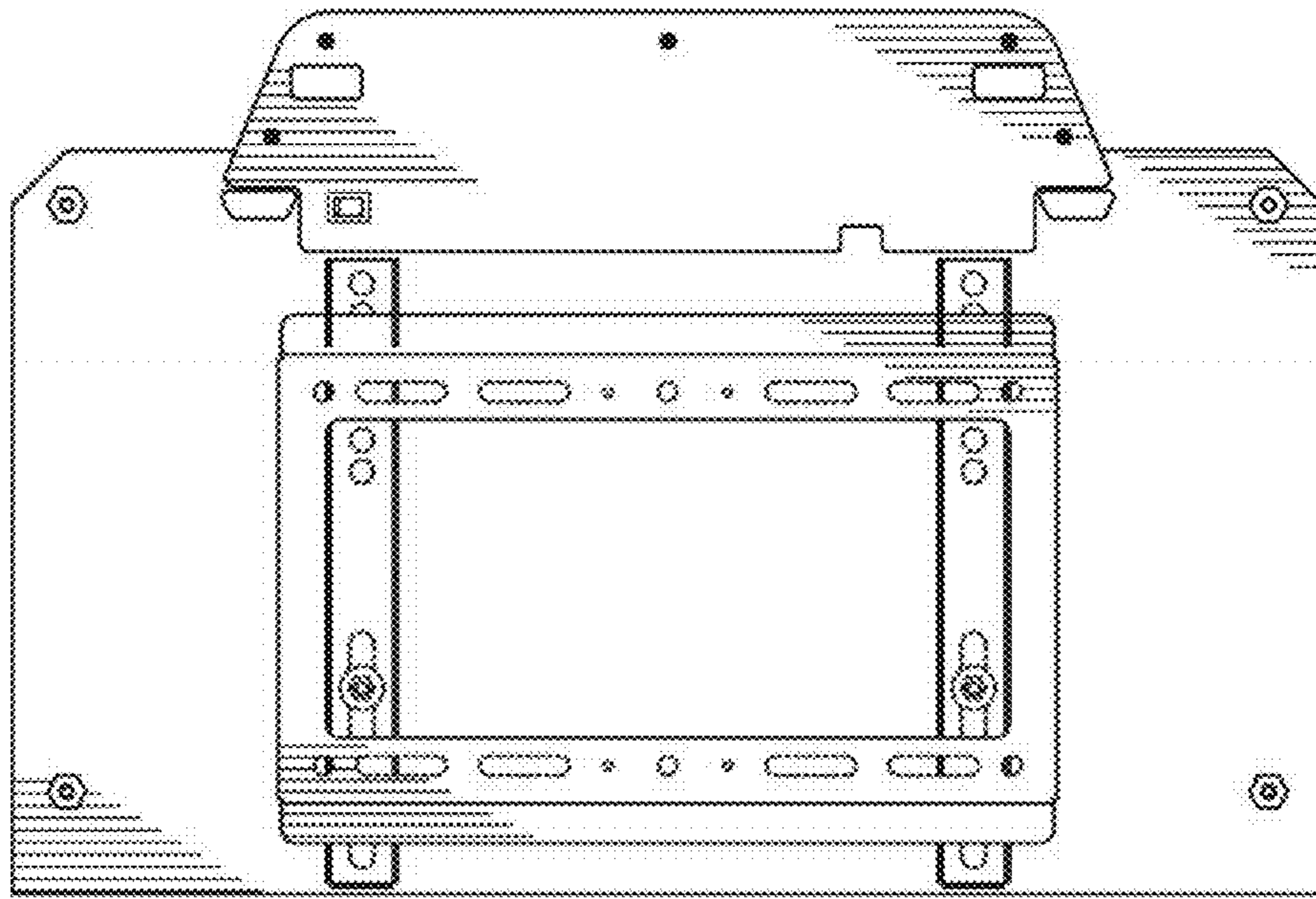


FIG. 2

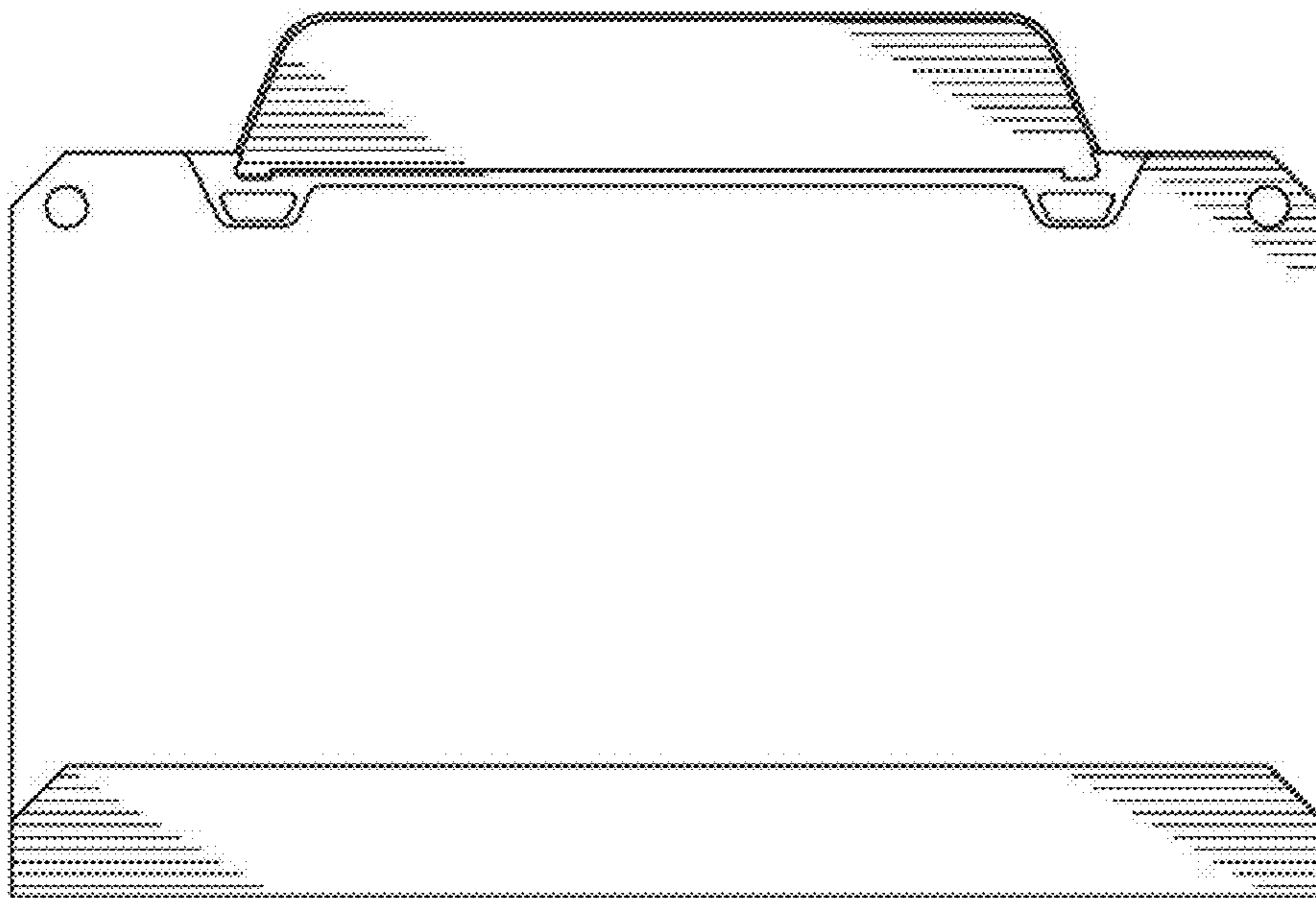


FIG. 3

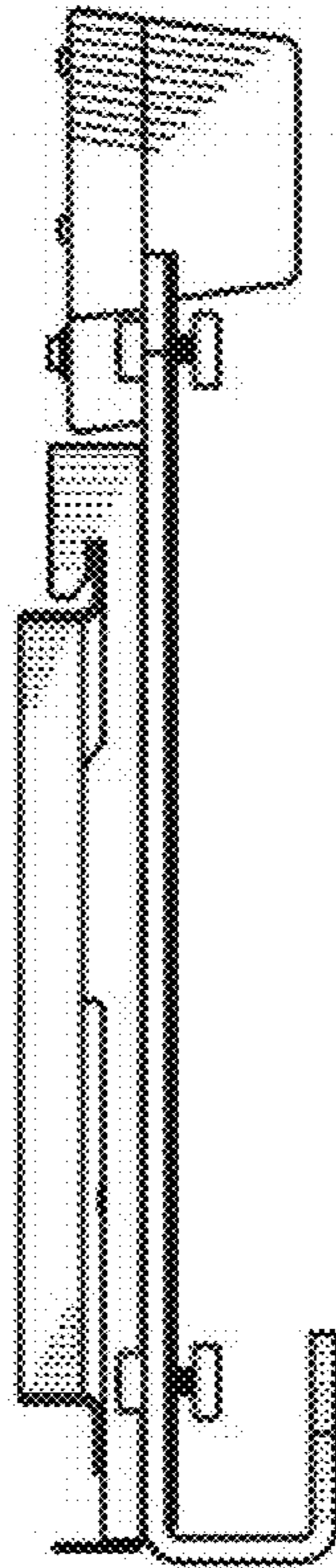


FIG. 4

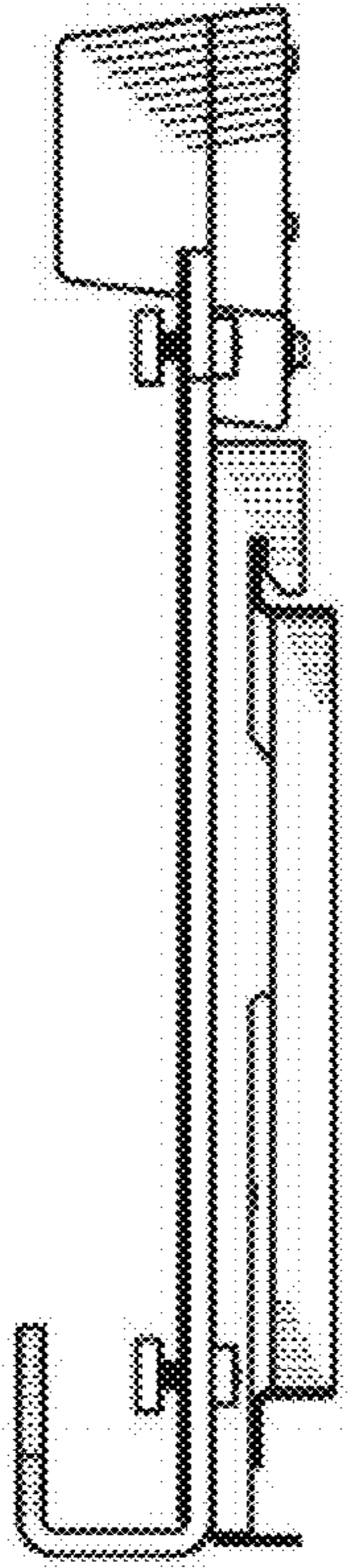


FIG .5

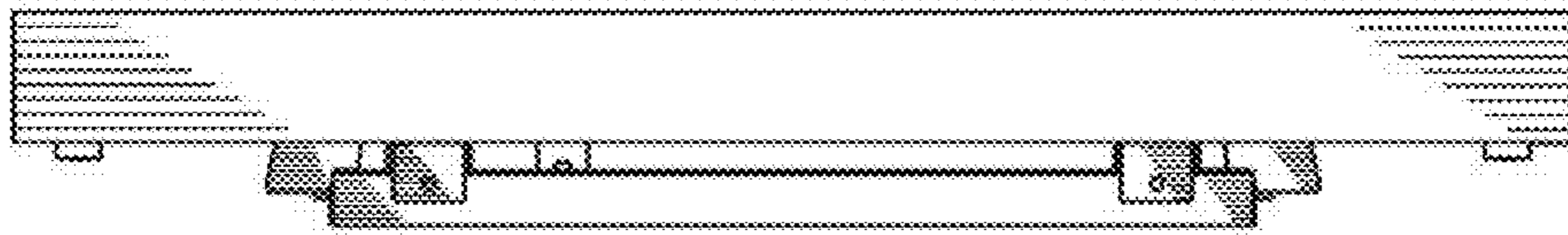


FIG. 6

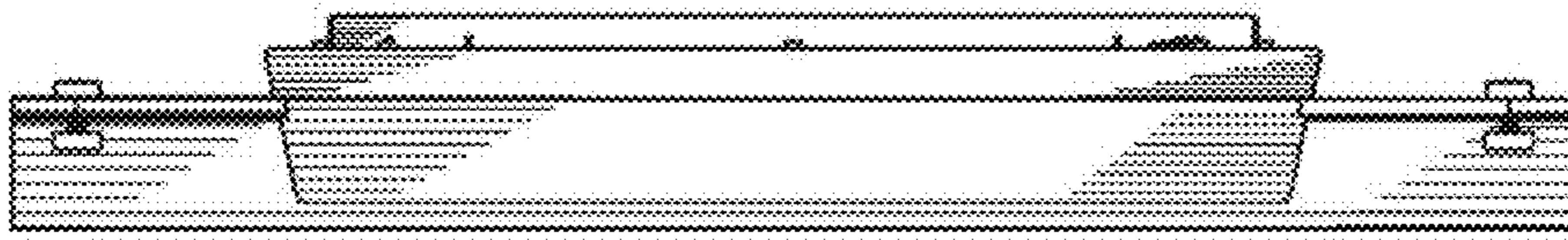


FIG. 7