



US00D722962S

(12) **United States Design Patent**
Kim et al.

(10) **Patent No.:** **US D722,962 S**
(45) **Date of Patent:** **** Feb. 24, 2015**

(54) **CHARGER FOR MOBILE PHONES**

(71) Applicant: **LG Electronics Inc.**, Seoul (KR)

(72) Inventors: **So Jin Kim**, Seoul (KR); **Hyun Chul Kim**, Seoul (KR)

(73) Assignee: **LG Electronics Inc.**, Seoul (KR)

(**) Term: **14 Years**

(21) Appl. No.: **29/490,563**

(22) Filed: **May 12, 2014**

(30) **Foreign Application Priority Data**

Jan. 14, 2014 (KR) 30-2014-0002152

(51) **LOC (10) Cl.** **13-02**

(52) **U.S. Cl.**
USPC **D13/108**

(58) **Field of Classification Search**
USPC D13/107–110, 118–119, 184, 199;
D14/251, 253, 432, 434; 320/107–115,
320/137–140
See application file for complete search history.

(56) **References Cited**

U.S. PATENT DOCUMENTS

D574,769 S *	8/2008	Fisher et al.	D13/108
D578,960 S *	10/2008	Fisher et al.	D13/108
D578,961 S *	10/2008	Fisher et al.	D13/108
7,518,337 B2 *	4/2009	Beart et al.	320/108
D598,375 S *	8/2009	Nomi	D13/108

D599,736 S *	9/2009	Ferber et al.	D13/108
D605,113 S *	12/2009	Maier et al.	D13/108
D611,898 S *	3/2010	Yang	D13/108
D623,133 S *	9/2010	Nomi et al.	D13/108
D633,437 S *	3/2011	Chilton et al.	D13/108
D636,724 S *	4/2011	Nomi et al.	D13/108
D637,951 S *	5/2011	Perez	D13/108
D656,097 S *	3/2012	Nomi et al.	D13/108
D680,067 S *	4/2013	Nomi	D13/108
D692,375 S *	10/2013	Mamane	D13/108
D705,160 S *	5/2014	Ormesher et al.	D13/108
2012/0019202 A1 *	1/2012	Beart et al.	320/108

* cited by examiner

Primary Examiner — Rosemary K Tarcza

(74) *Attorney, Agent, or Firm* — Morgan, Lewis & Bockius LLP

(57) **CLAIM**

We claim the ornamental design for a charger for mobile phones, as shown and described.

DESCRIPTION

FIG. 1 is a perspective view of a charger for mobile phones showing the new design:

FIG. 2 is a front elevation view thereof;

FIG. 3 is a rear elevation view thereof;

FIG. 4 is a left-side elevation view thereof;

FIG. 5 is a right-side elevation view thereof;

FIG. 6 is a top plan view thereof; and,

FIG. 7 is a bottom plan view thereof.

The broken lines shown in the drawings are included for the purpose of illustrating environmental structure and form no part of the claimed design.

1 Claim, 5 Drawing Sheets

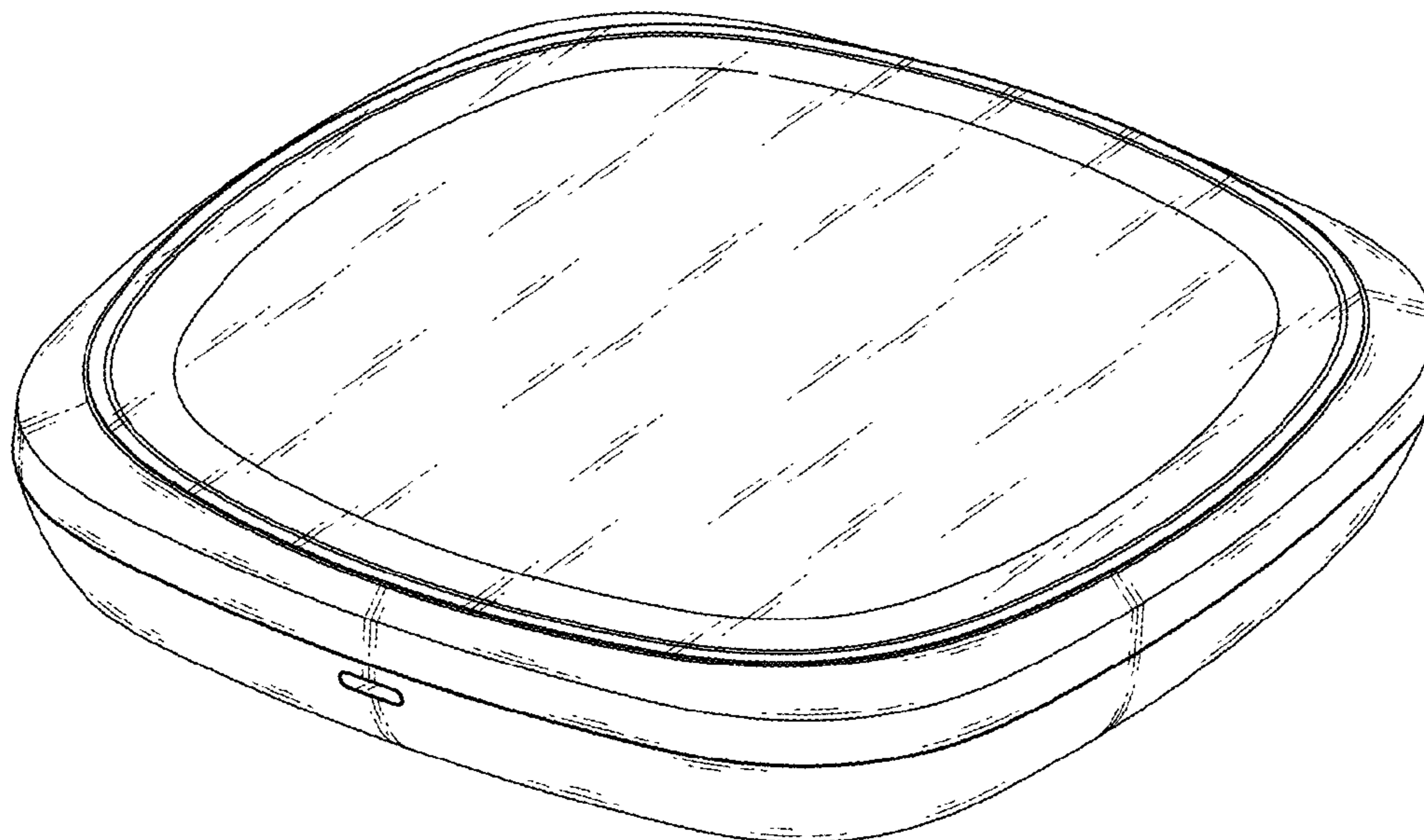


FIG. 1

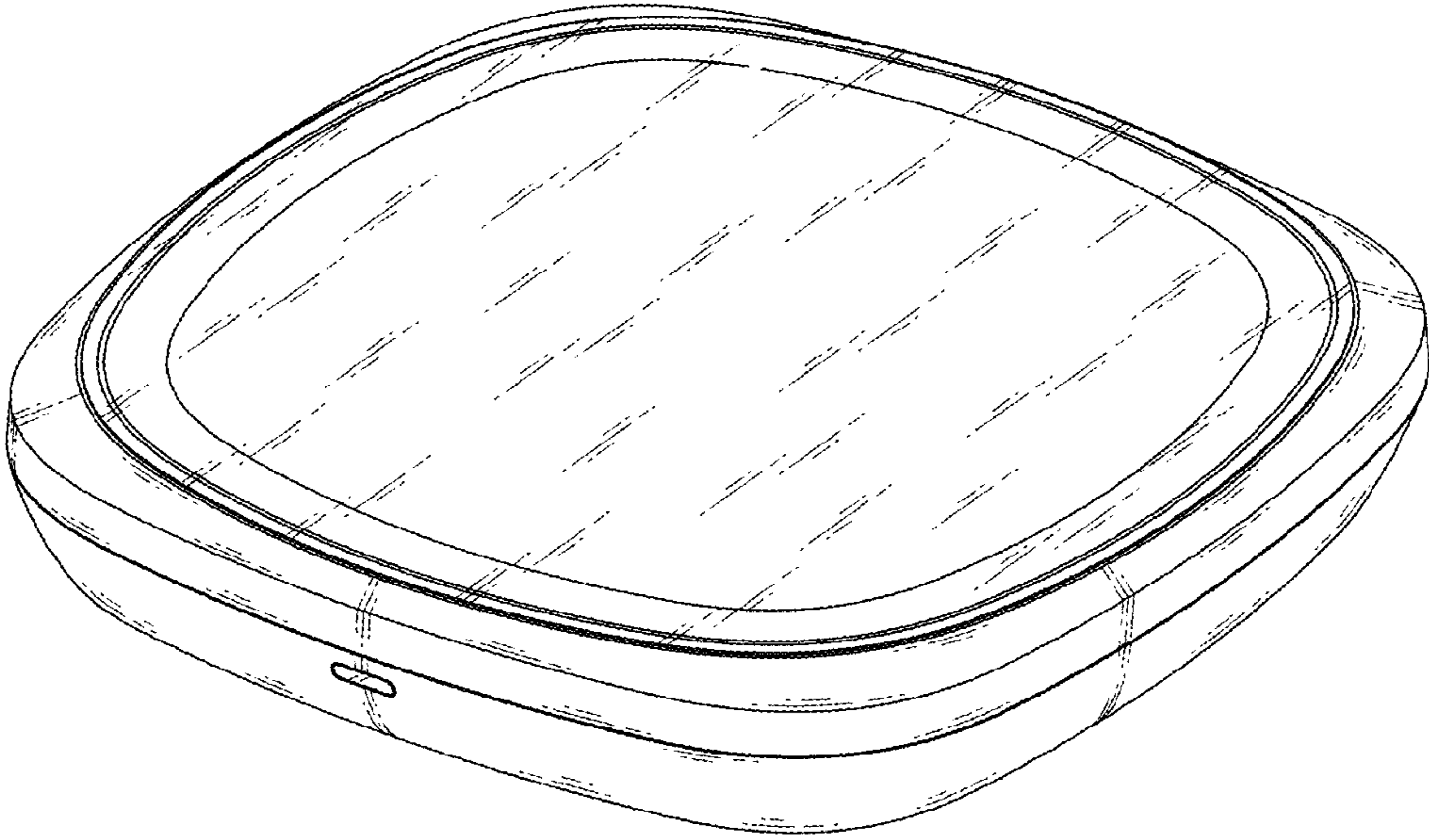


FIG. 2

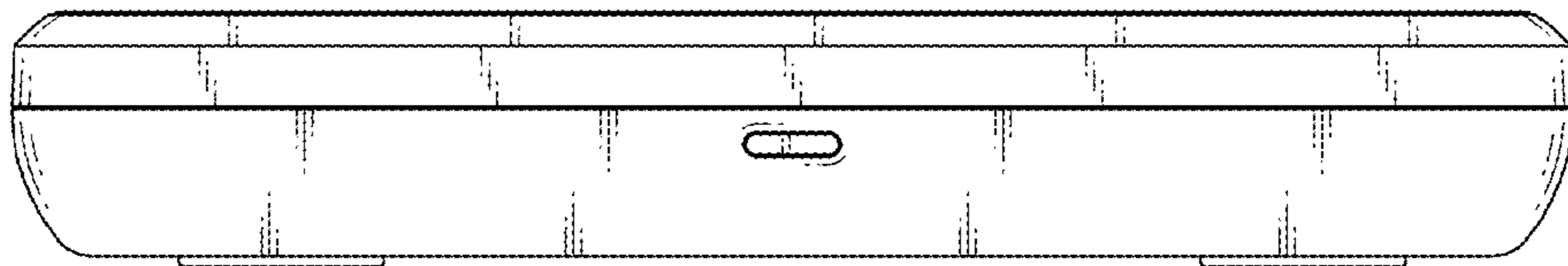


FIG. 3

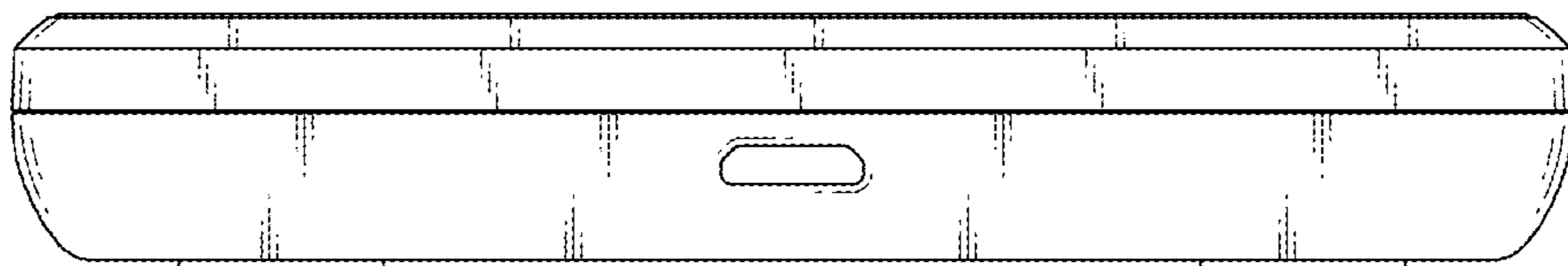


FIG. 4

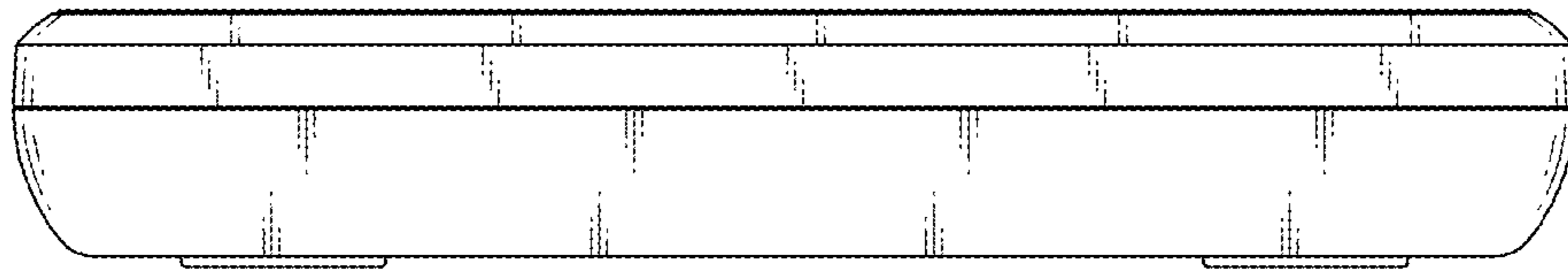


FIG. 5

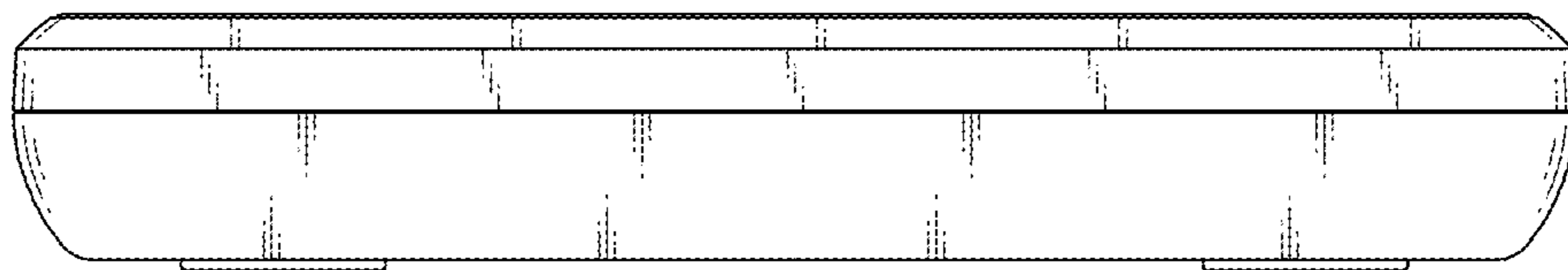


FIG. 6

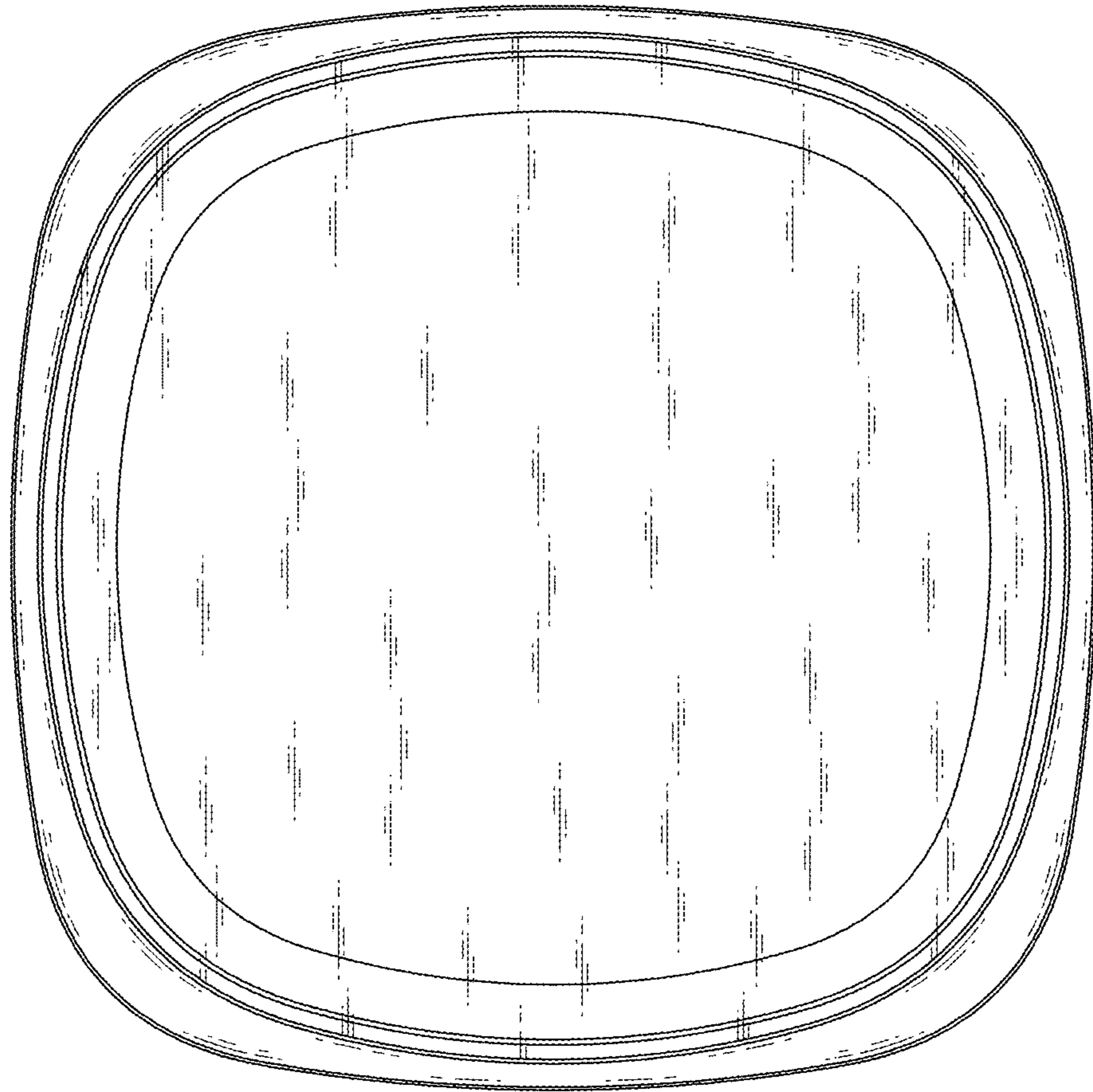


FIG. 7

