



US00D722961S

(12) **United States Design Patent**
Lin et al.

(10) **Patent No.:** **US D722,961 S**
(45) **Date of Patent:** **** Feb. 24, 2015**

- (54) **PORTABLE POWER SOURCE**
- (71) Applicant: **Gadmei Electronics Technology Co., Ltd.**, Qingyuan, Guandong (CN)
- (72) Inventors: **Hui Lin**, Qingyuan (CN); **Yuanping Yao**, Qingyuan (CN)
- (73) Assignee: **Gadmei Electronics Technology Co., Ltd.**, Qingyuan (CN)
- (**) Term: **14 Years**
- (21) Appl. No.: **29/485,662**
- (22) Filed: **Mar. 21, 2014**
- (30) **Foreign Application Priority Data**
Jan. 14, 2014 (CN) 2014 3 0009940
- (51) **LOC (10) Cl.** **13-02**
- (52) **U.S. Cl.**
USPC **D13/108**; D13/103
- (58) **Field of Classification Search**
USPC D13/102-10, 118-119, 184, 199;
D14/356, 432; 320/103, 111-115,
320/135-146
See application file for complete search history.

- (56) **References Cited**
U.S. PATENT DOCUMENTS
D246,240 S * 11/1977 Hansen D13/103
D592,138 S * 5/2009 Mahaffey et al. D13/123
D618,237 S * 6/2010 Wang D14/356
7,746,029 B2 * 6/2010 Toya 320/107

- D628,153 S * 11/2010 Fujii et al. D13/108
- D628,535 S * 12/2010 Cheng D13/108
- D656,096 S * 3/2012 Sasada et al. D13/108
- D659,094 S * 5/2012 Brand et al. D13/108
- D662,050 S * 6/2012 Tien D13/108
- D667,788 S * 9/2012 Mai D13/110
- D674,748 S * 1/2013 Ferber et al. D13/108
- D680,063 S * 4/2013 Sasada D13/103
- D682,196 S * 5/2013 Leung D13/103
- D682,197 S * 5/2013 Leung D13/103
- D686,153 S * 7/2013 Qu D13/103
- D697,867 S * 1/2014 Weinstein et al. D13/108
- 2014/0042969 A1 * 2/2014 Miller et al. 320/111

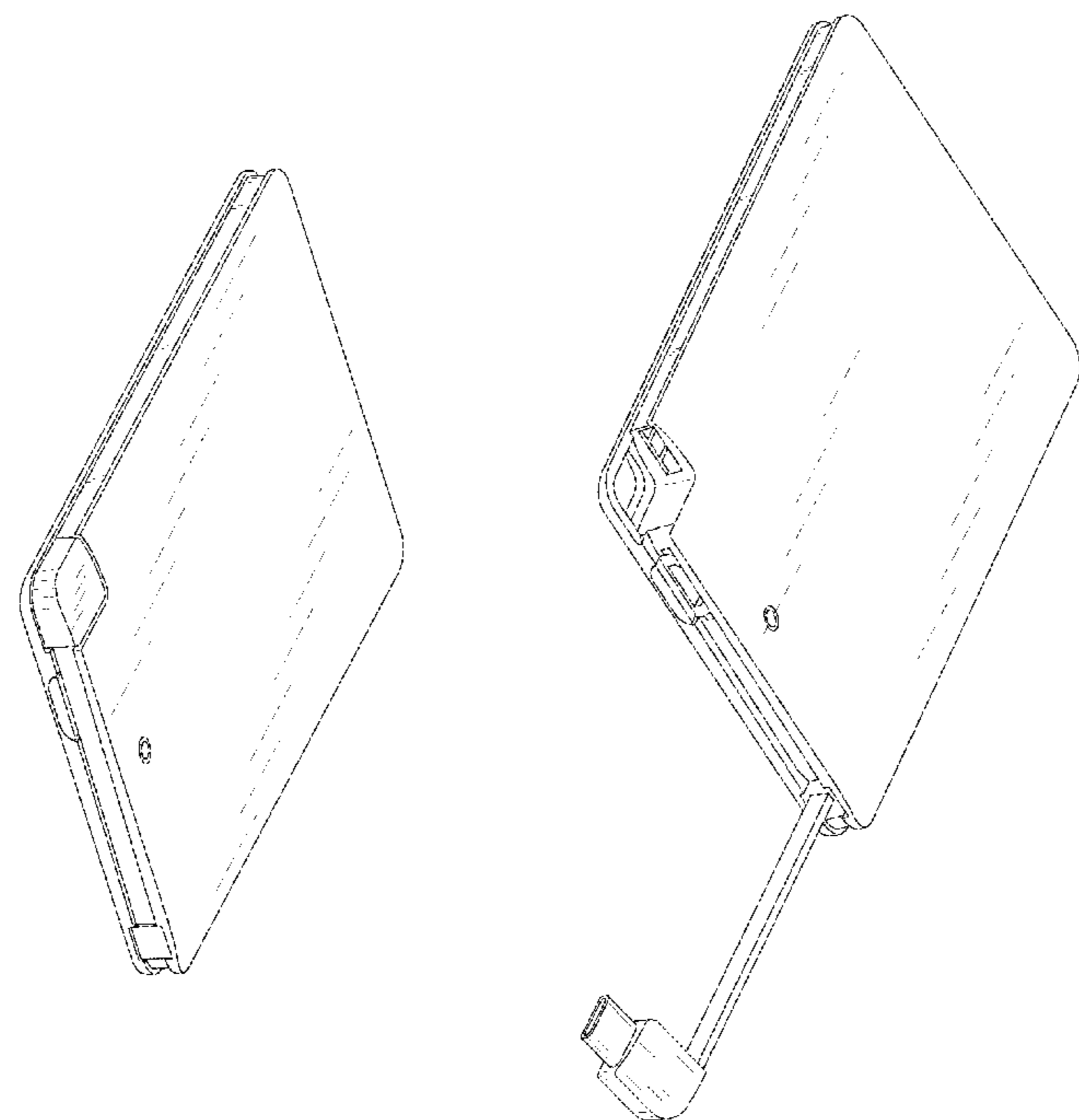
* cited by examiner

Primary Examiner — Rosemary K Tarcza

(57) **CLAIM**
The ornamental design for a portable power source, as shown and described.

DESCRIPTION
FIG. 1 is a front elevation view of a portable power source of our new design;
FIG. 2 is a rear elevation view thereof;
FIG. 3 is a left side view thereof;
FIG. 4 is a right side view thereof;
FIG. 5 is a top plan view thereof;
FIG. 6 is a bottom plan view thereof;
FIG. 7 is a first perspective view thereof;
FIG. 8 is a second perspective view thereof;
FIG. 9 is a third perspective view thereof;
FIG. 10 is a fourth perspective view thereof; and,
FIG. 11 is a fifth perspective view thereof, with the portable power source being in use.

1 Claim, 10 Drawing Sheets



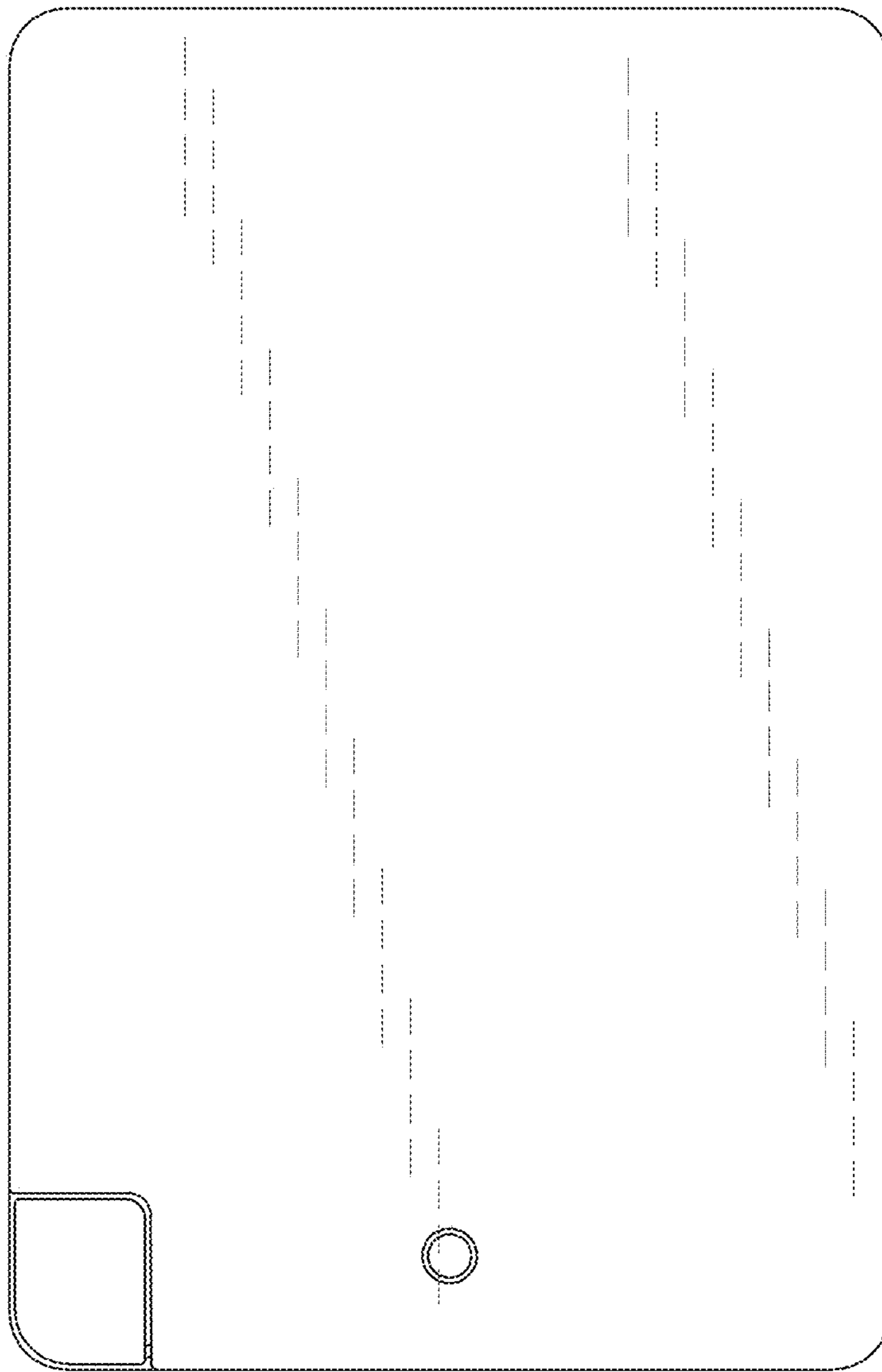


FIG. 1

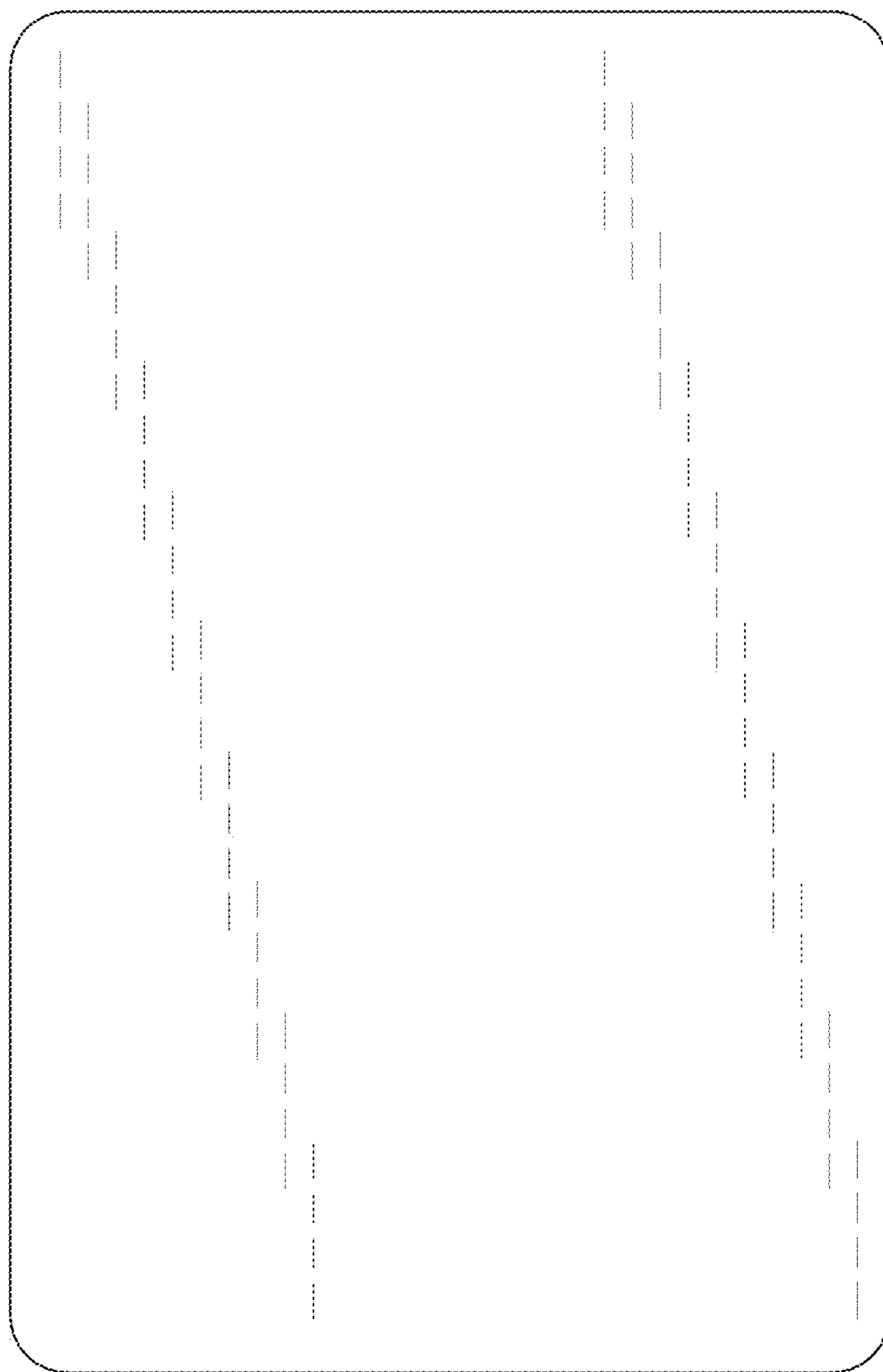


FIG. 2

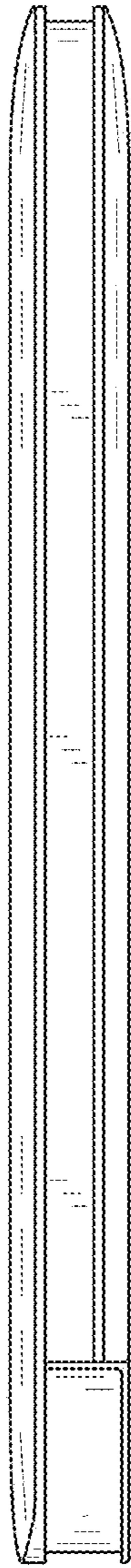


FIG.3



FIG.4

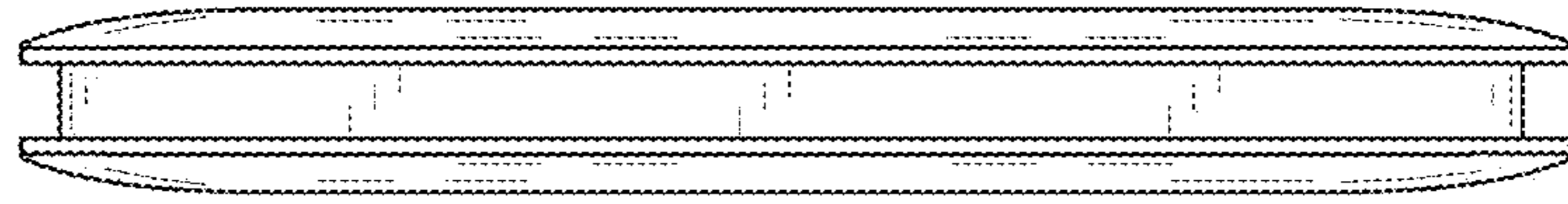


FIG. 5



FIG. 6

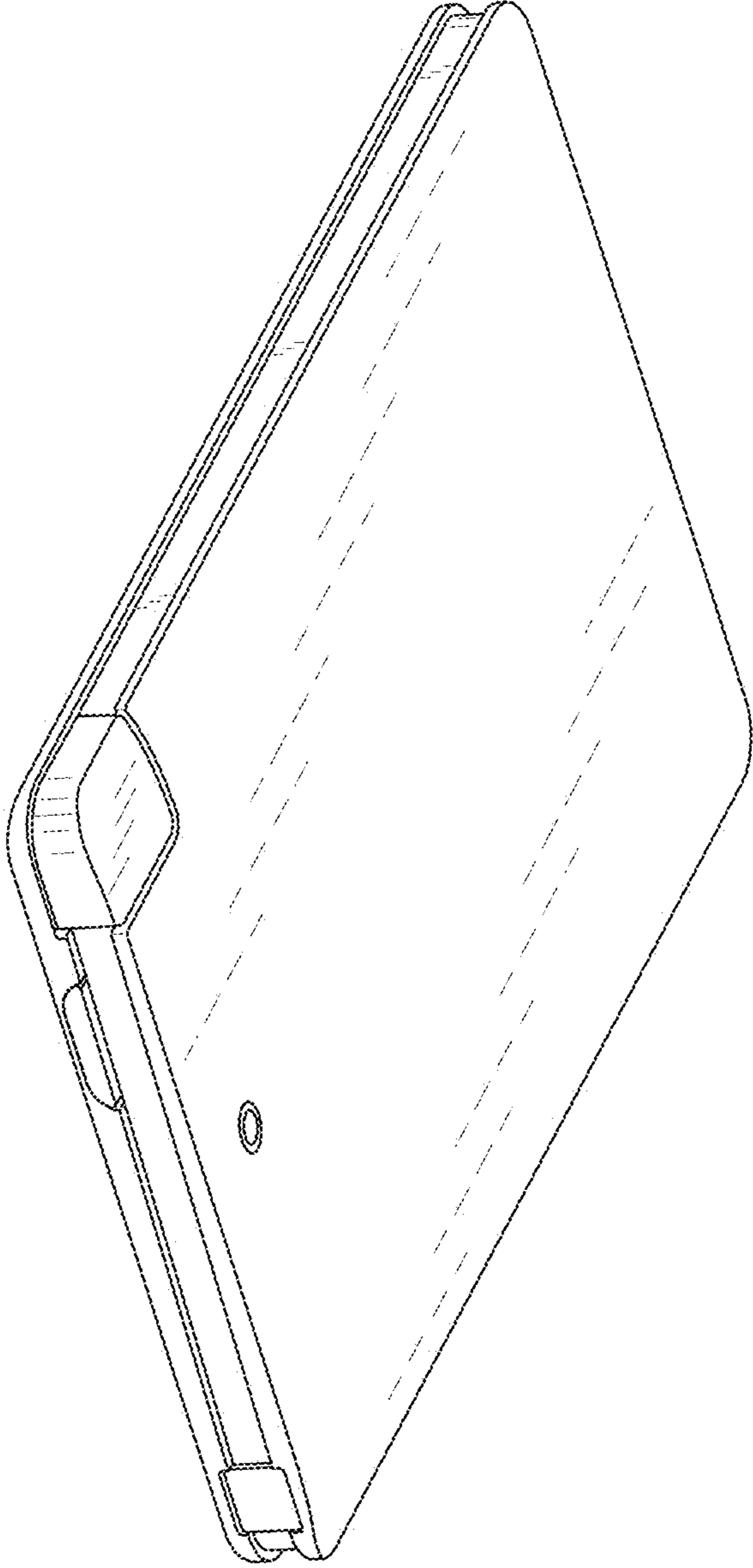


FIG. 7

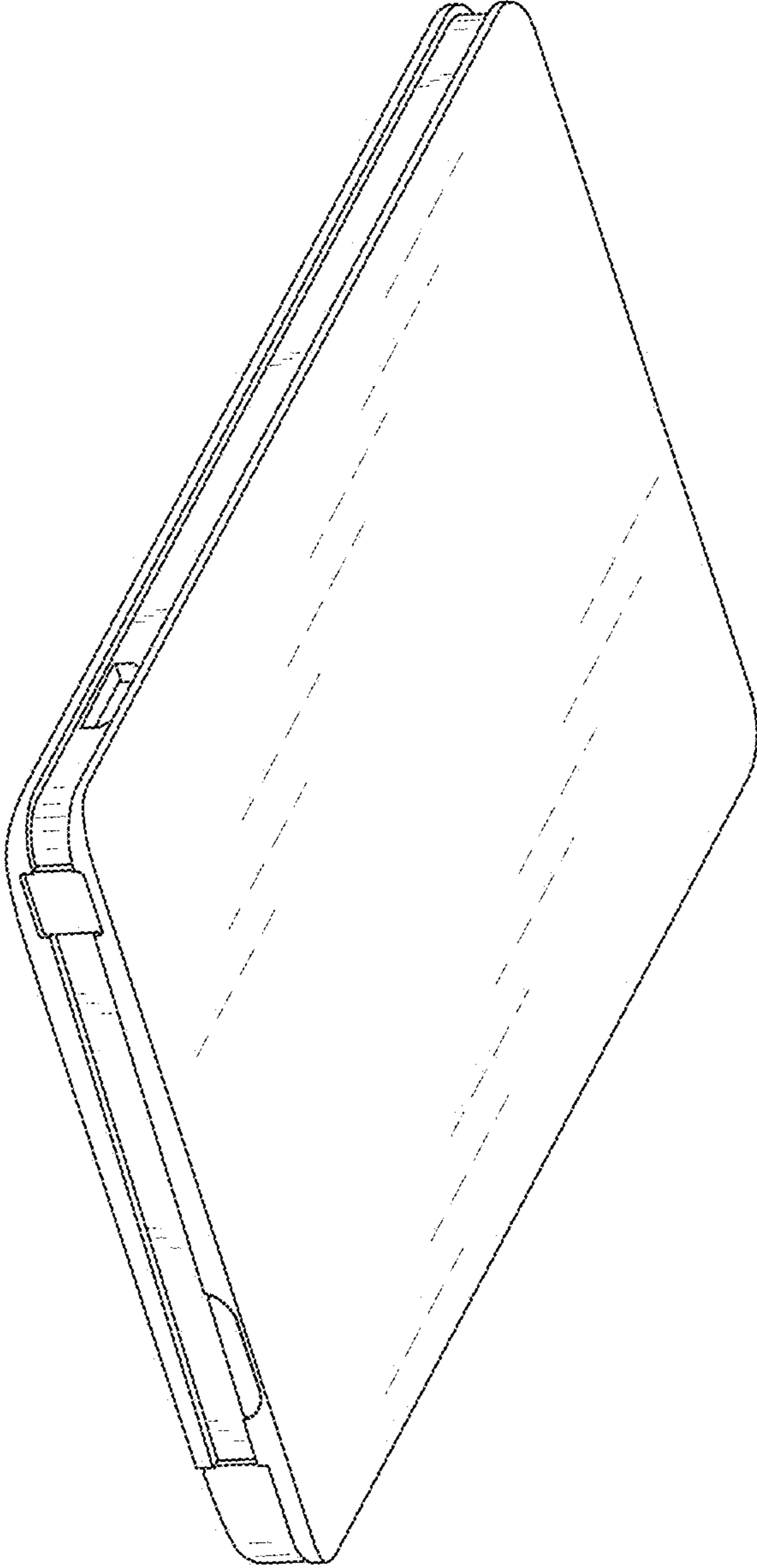


FIG.8

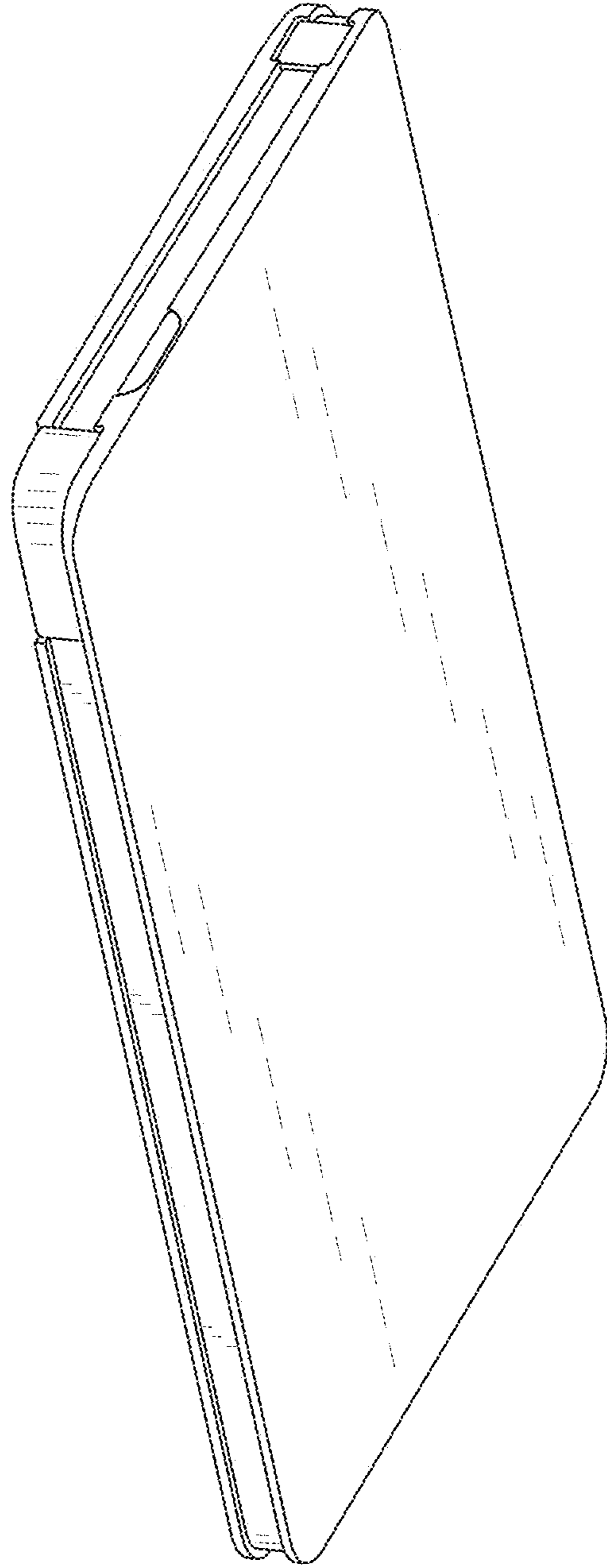


FIG.9

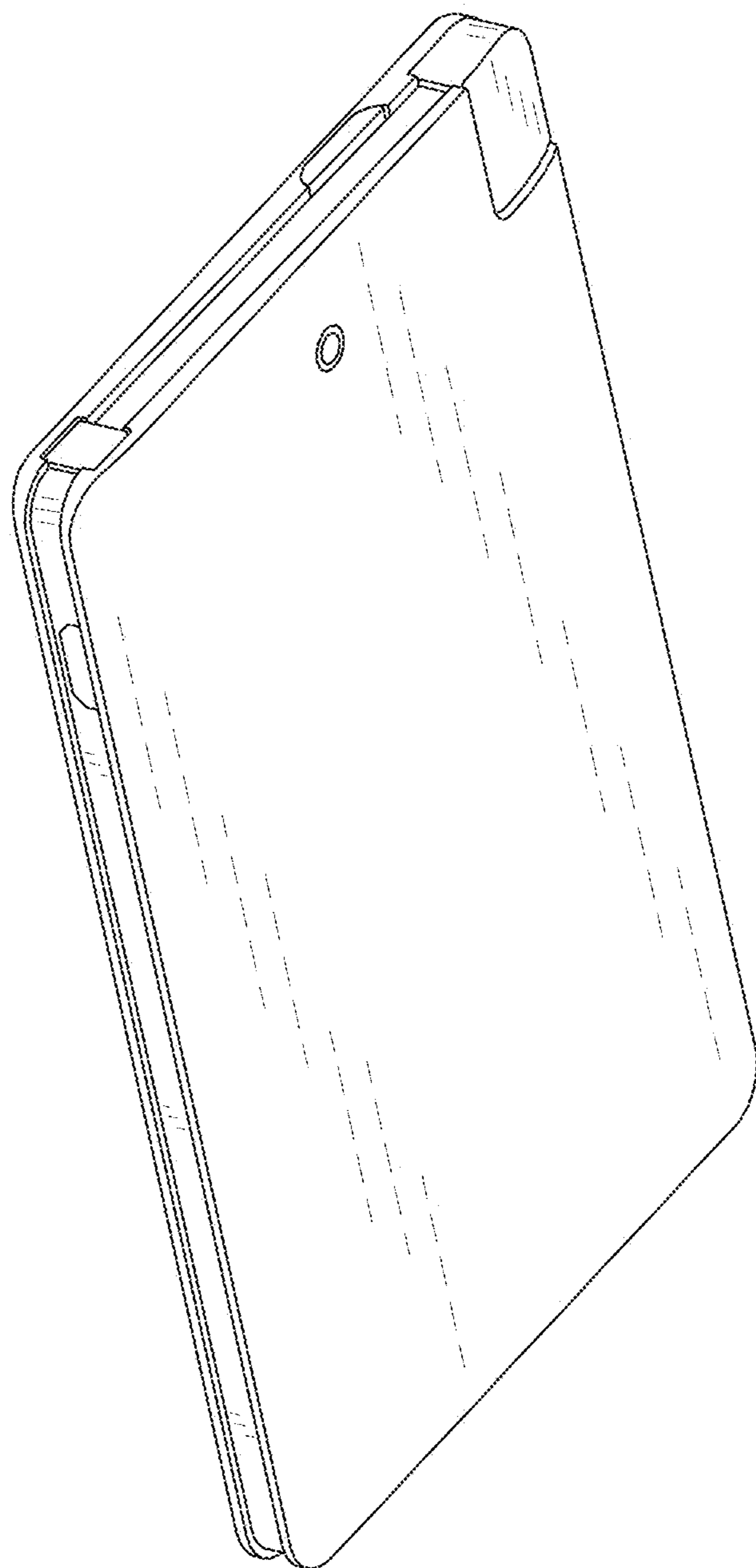


FIG. 10

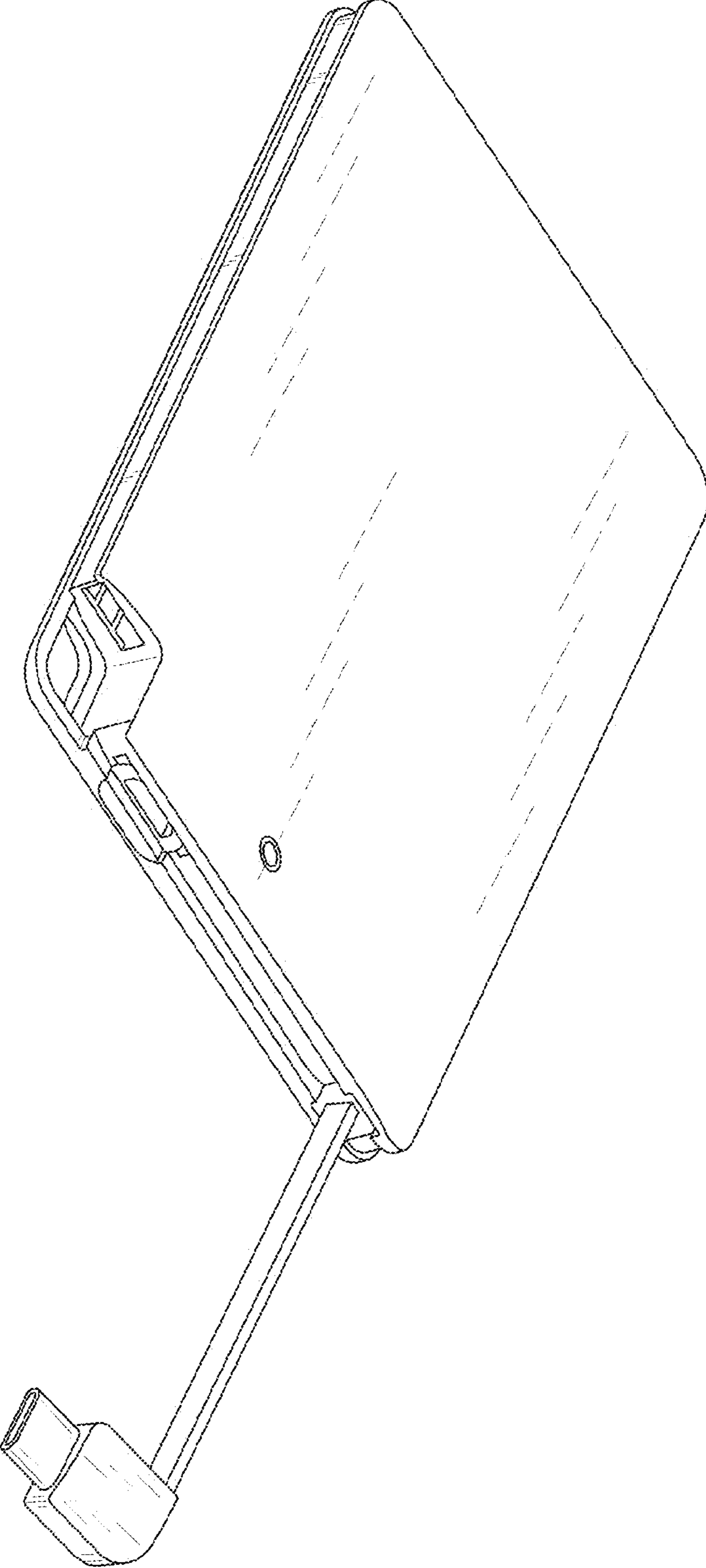


FIG.11