

US00D722960S

(12) **United States Design Patent**
Campbell et al.

(10) **Patent No.:** **US D722,960 S**

(45) **Date of Patent:** **** Feb. 24, 2015**

(54) **CHARGING DOCK**

(71) Applicants: **George Andrew Campbell**, Palo Alto, CA (US); **David M. Reynolds**, Mount Juliet, TN (US); **Jason Curtis**, Antioch, TN (US); **Tony Plunk**, Fairview, TN (US); **Thomas Meyerhoffer**, Montara, CA (US)

(72) Inventors: **George Andrew Campbell**, Palo Alto, CA (US); **David M. Reynolds**, Mount Juliet, TN (US); **Jason Curtis**, Antioch, TN (US); **Tony Plunk**, Fairview, TN (US); **Thomas Meyerhoffer**, Montara, CA (US)

(73) Assignee: **Griffin Technology, Inc.**, Nashville, TN (US)

(**) Term: **14 Years**

(21) Appl. No.: **29/485,490**

(22) Filed: **Mar. 19, 2014**

(51) **LOC (10) Cl.** **13-02**

(52) **U.S. Cl.**
USPC **D13/108**

(58) **Field of Classification Search**
USPC D13/107-110, 118-119, 184, 199;
D14/204, 210, 213, 214, 221, 251, 253,
D14/432, 434; 320/107-115, 128, 137-140;
181/199; 381/300, 332, 334

See application file for complete search history.

(56) **References Cited**

U.S. PATENT DOCUMENTS

D535,942 S *	1/2007	Kim	D13/108
D557,256 S *	12/2007	Joseph	D14/214
D558,666 S *	1/2008	Park et al.	D13/108
D572,672 S *	7/2008	Adducci et al.	D13/184
D586,783 S *	2/2009	Lui et al.	D14/214
D607,283 S *	1/2010	Mahan et al.	D7/606
D644,627 S *	9/2011	Garrett	D14/214
D658,582 S *	5/2012	Looi	D13/110
D676,412 S *	2/2013	Holzer	D14/171
D677,245 S *	3/2013	Joseph	D14/209.1
D687,773 S *	8/2013	Huang et al.	D13/108
D700,166 S *	2/2014	Petersen	D14/204

* cited by examiner

Primary Examiner — Rosemary K Tarcza
(74) *Attorney, Agent, or Firm* — Hornkohl Intellectual Property Law, PLLC; Jason L. Hornkohl

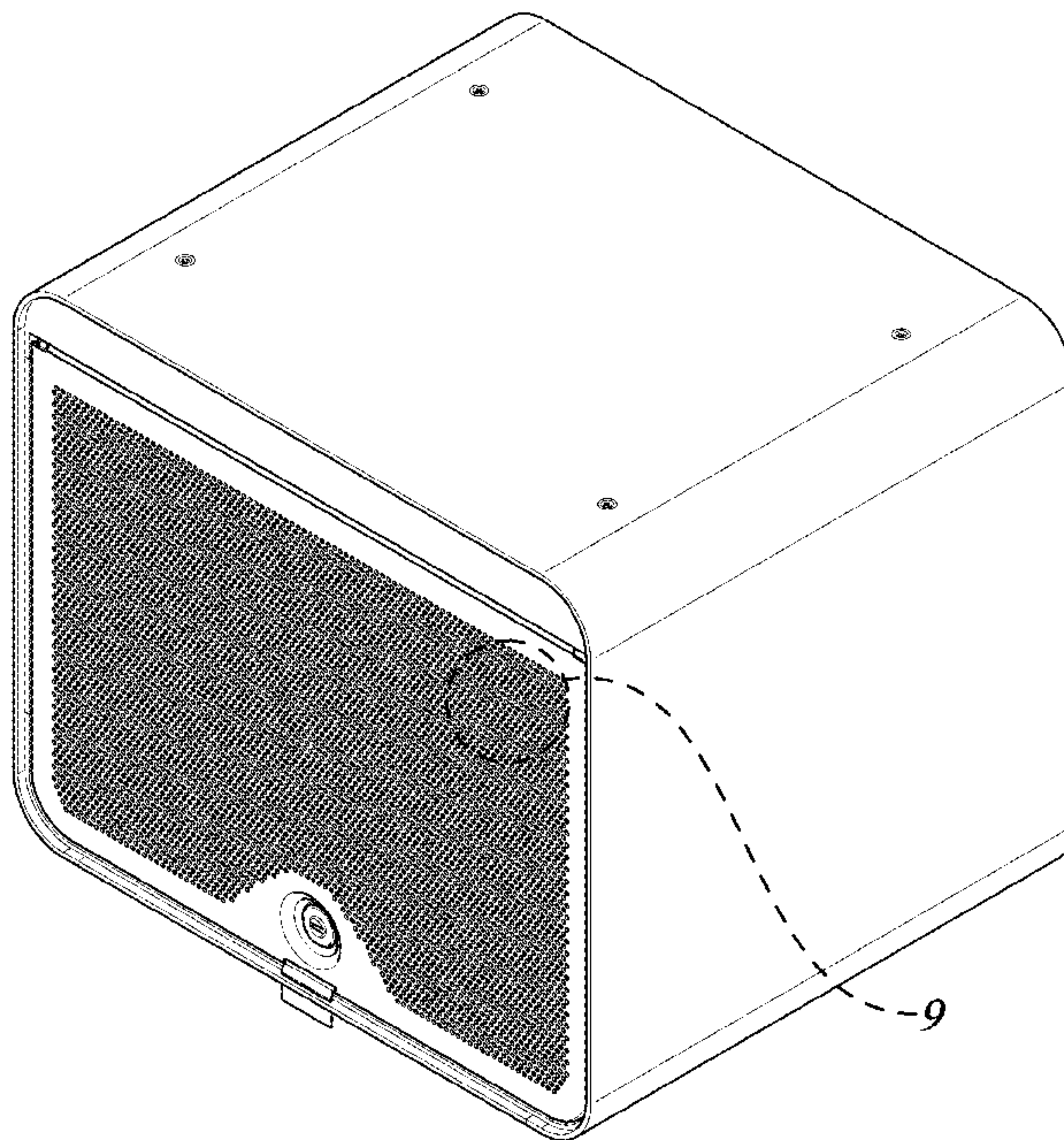
(57) **CLAIM**

The ornamental design for a charging dock, as shown and described.

DESCRIPTION

FIG. 1 is an isometric view showing the front of the new design for a charging dock;
FIG. 2 is an isometric view of the back of the charging dock;
FIG. 3 is a back view of the charging dock;
FIG. 4 is to front view of the charging dock;
FIG. 5 is a left side view of the charging dock;
FIG. 6 is a right side view of the charging dock;
FIG. 7 is a top view of the charging dock;
FIG. 8 is a bottom view of the charging dock; and,
FIG. 9 is a close up view of the area designated by numeral "9" in FIG. 1.

1 Claim, 9 Drawing Sheets



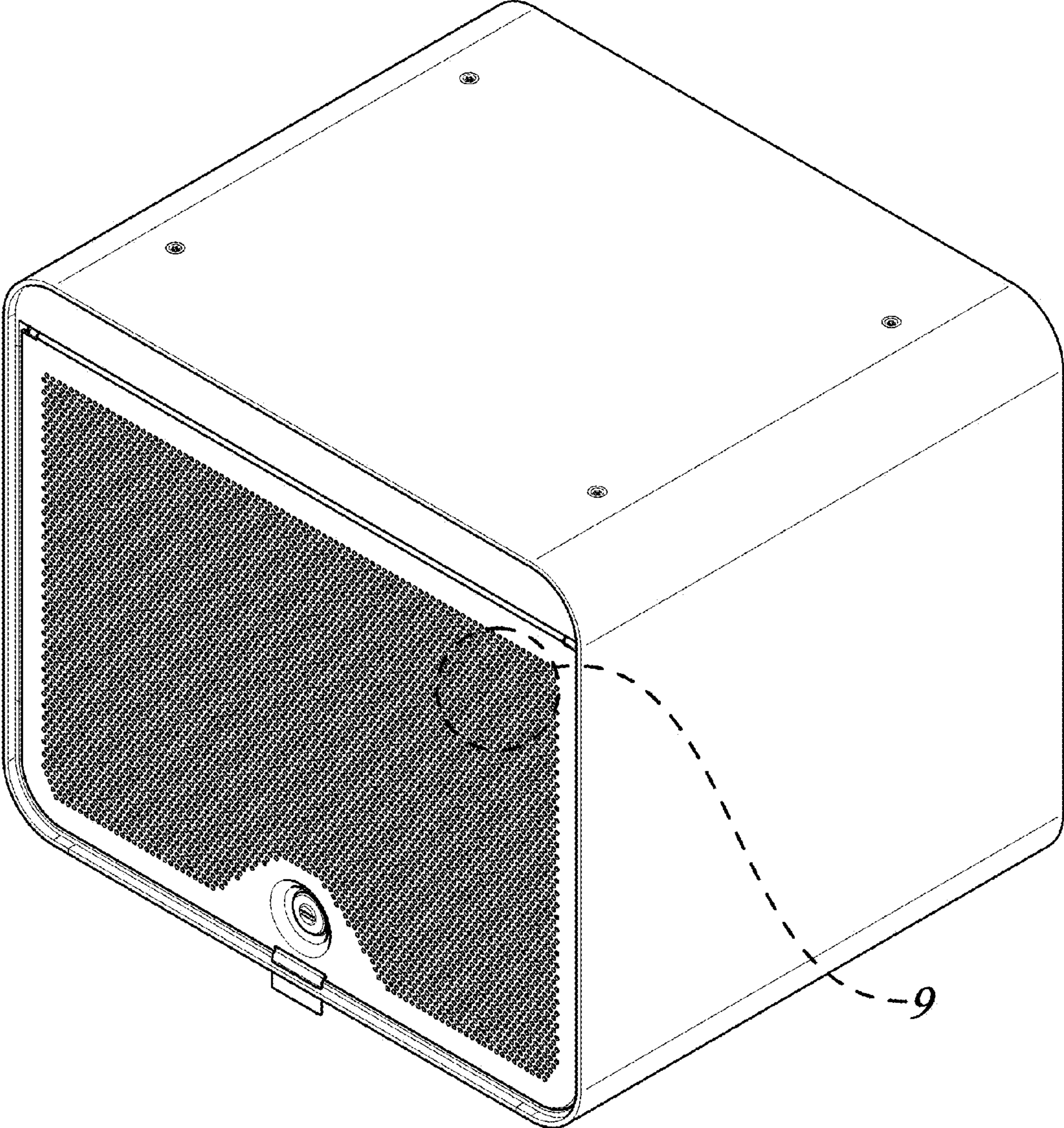


FIG. 1

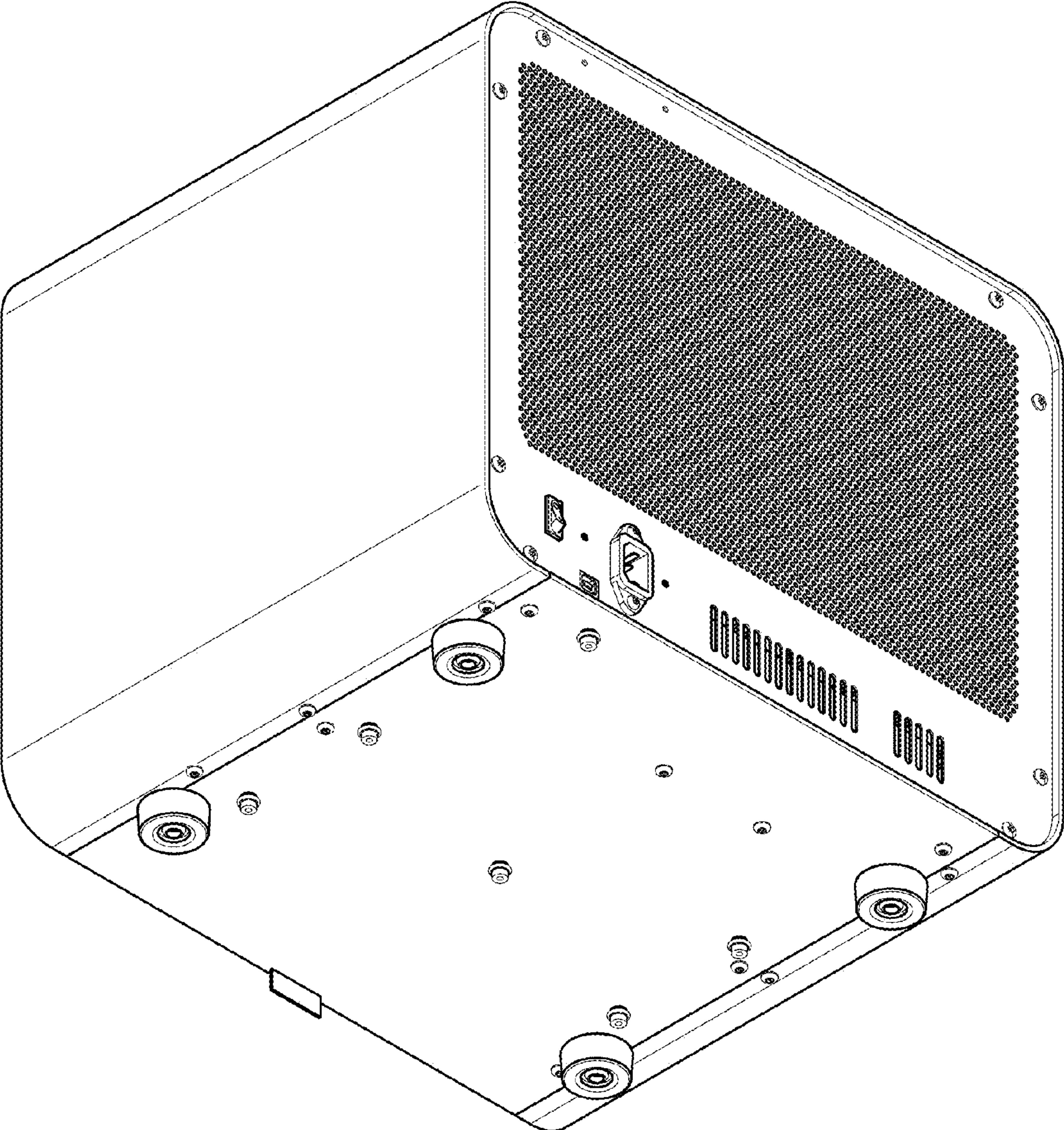


FIG. 2

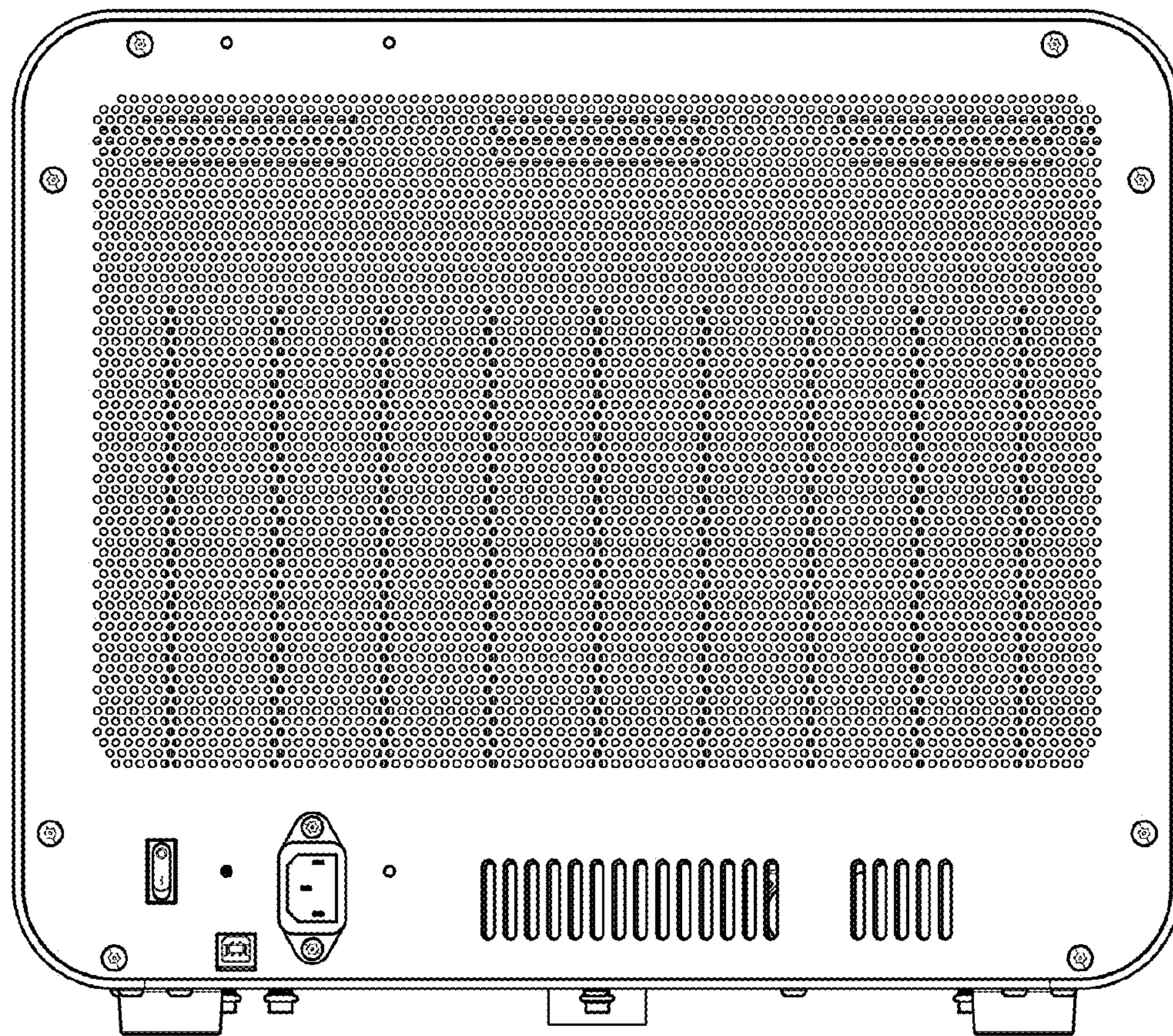


FIG. 3

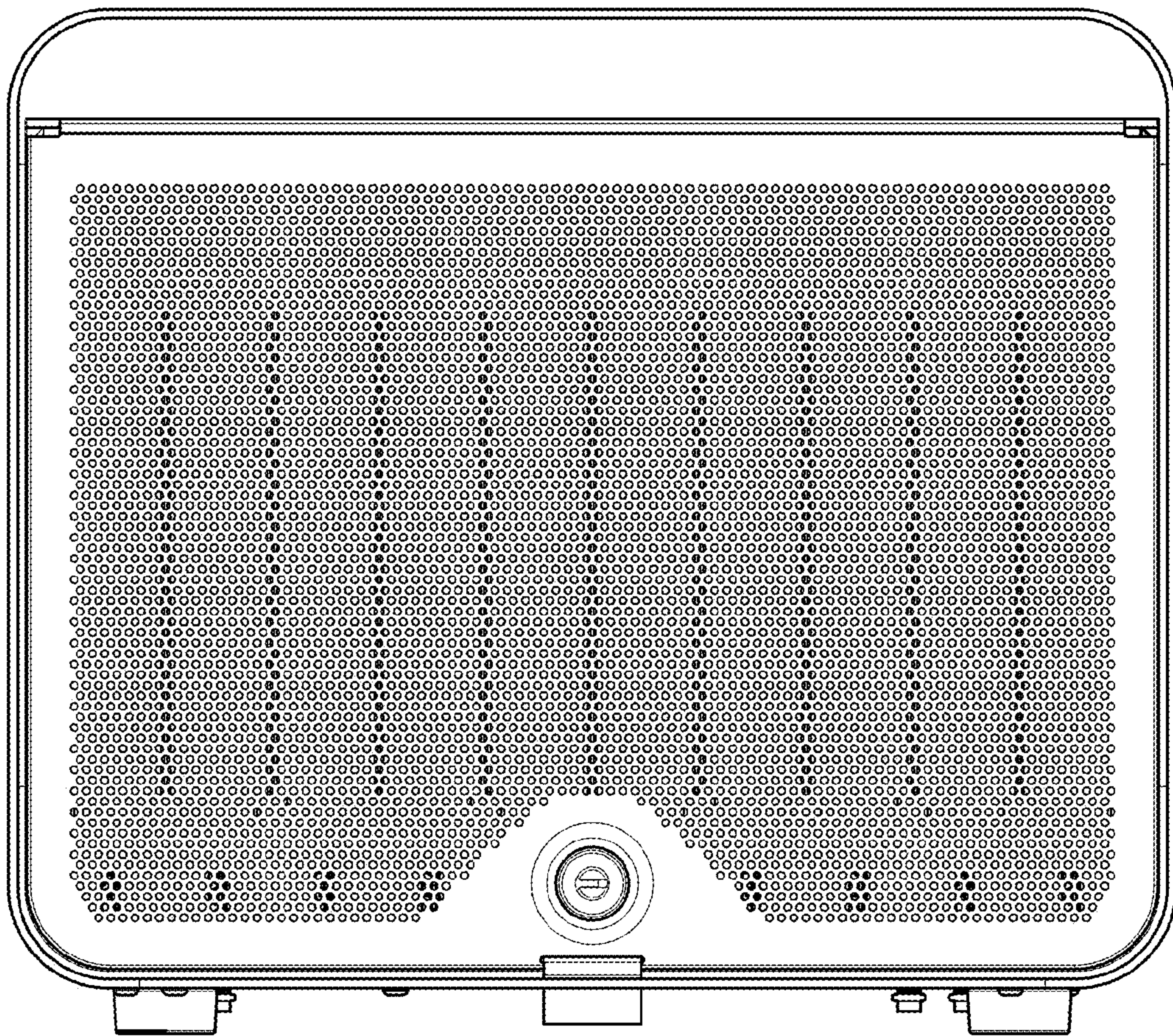


FIG. 4

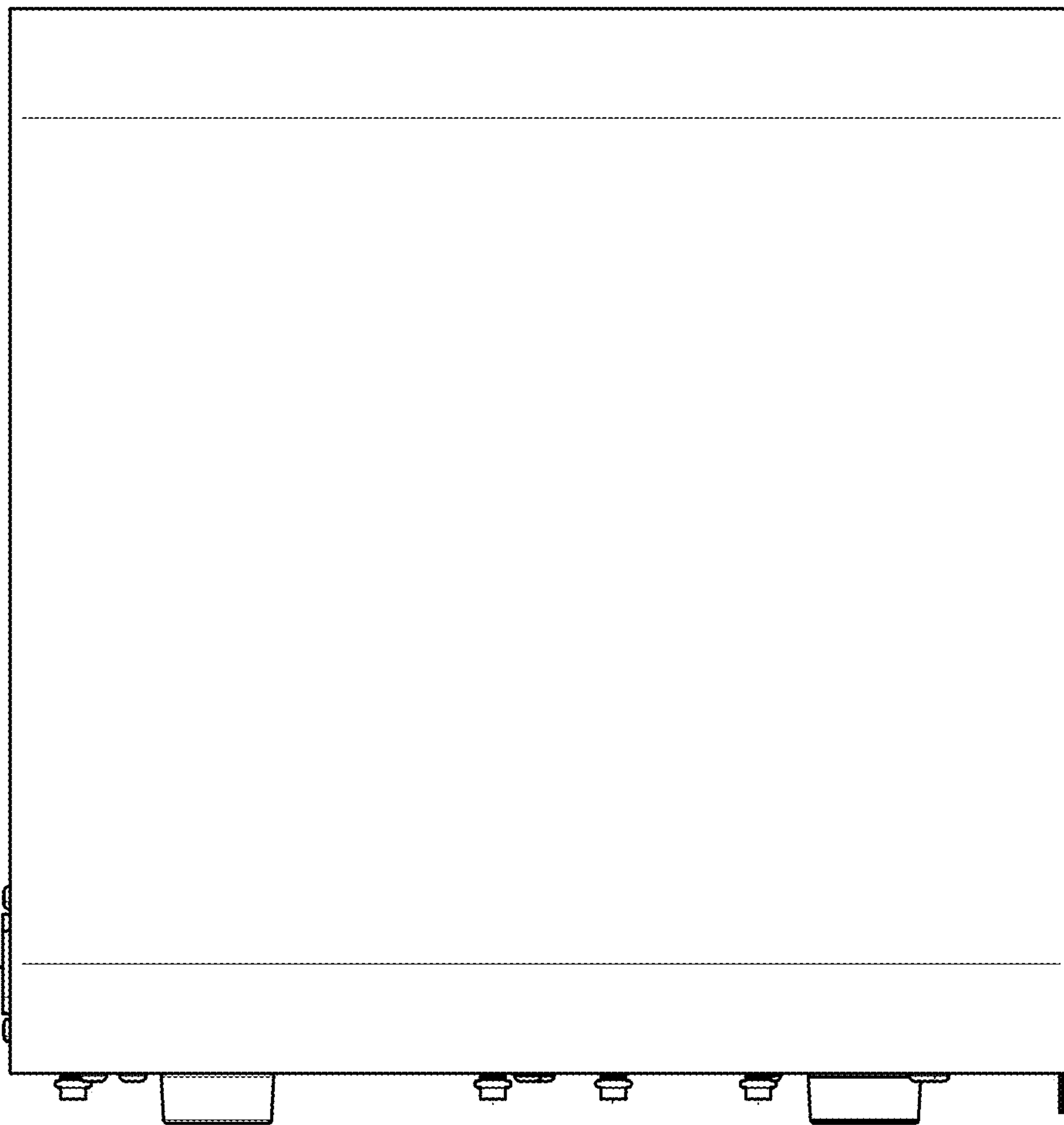


FIG. 5

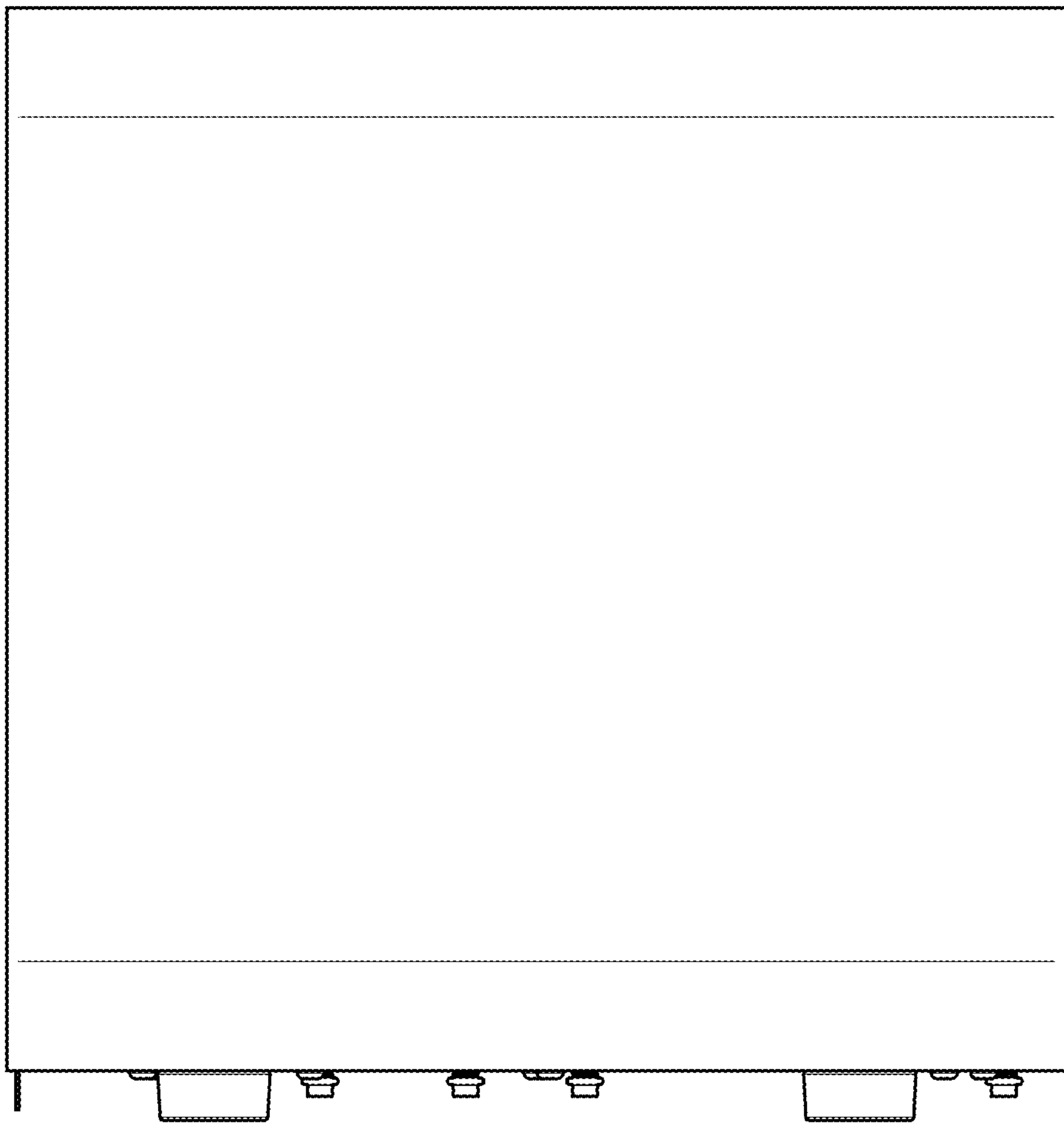


FIG. 6

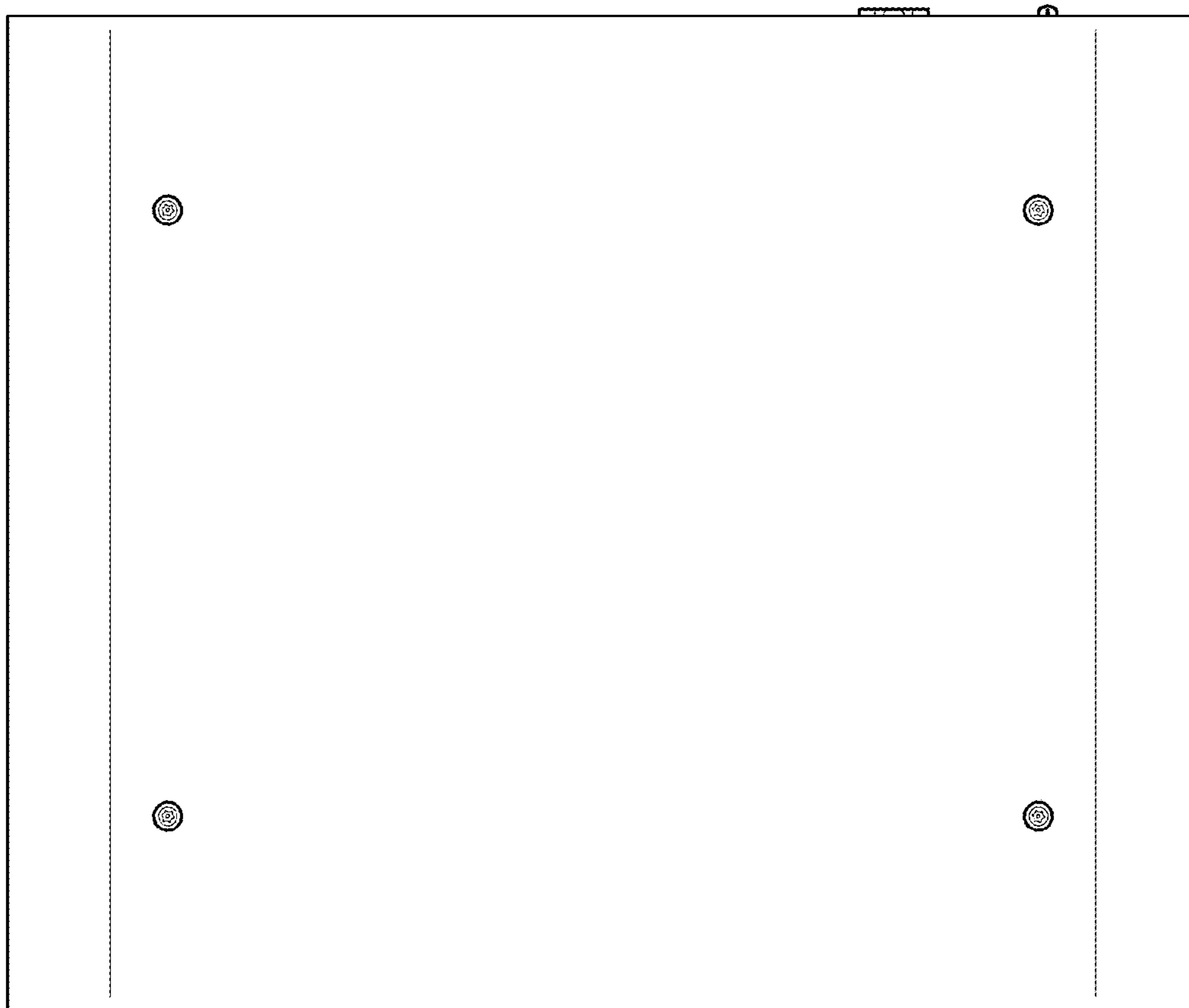


FIG. 7

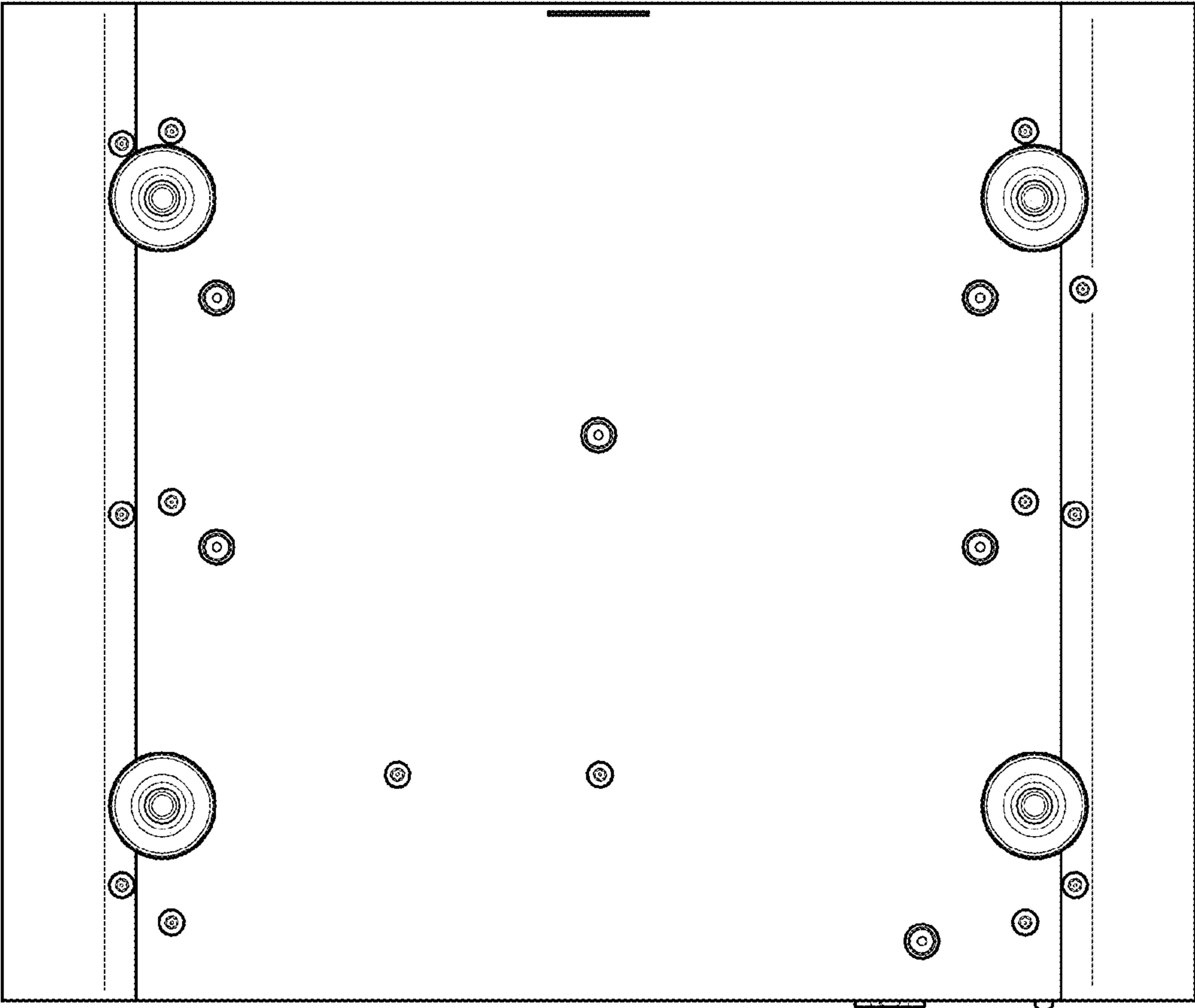


FIG. 8

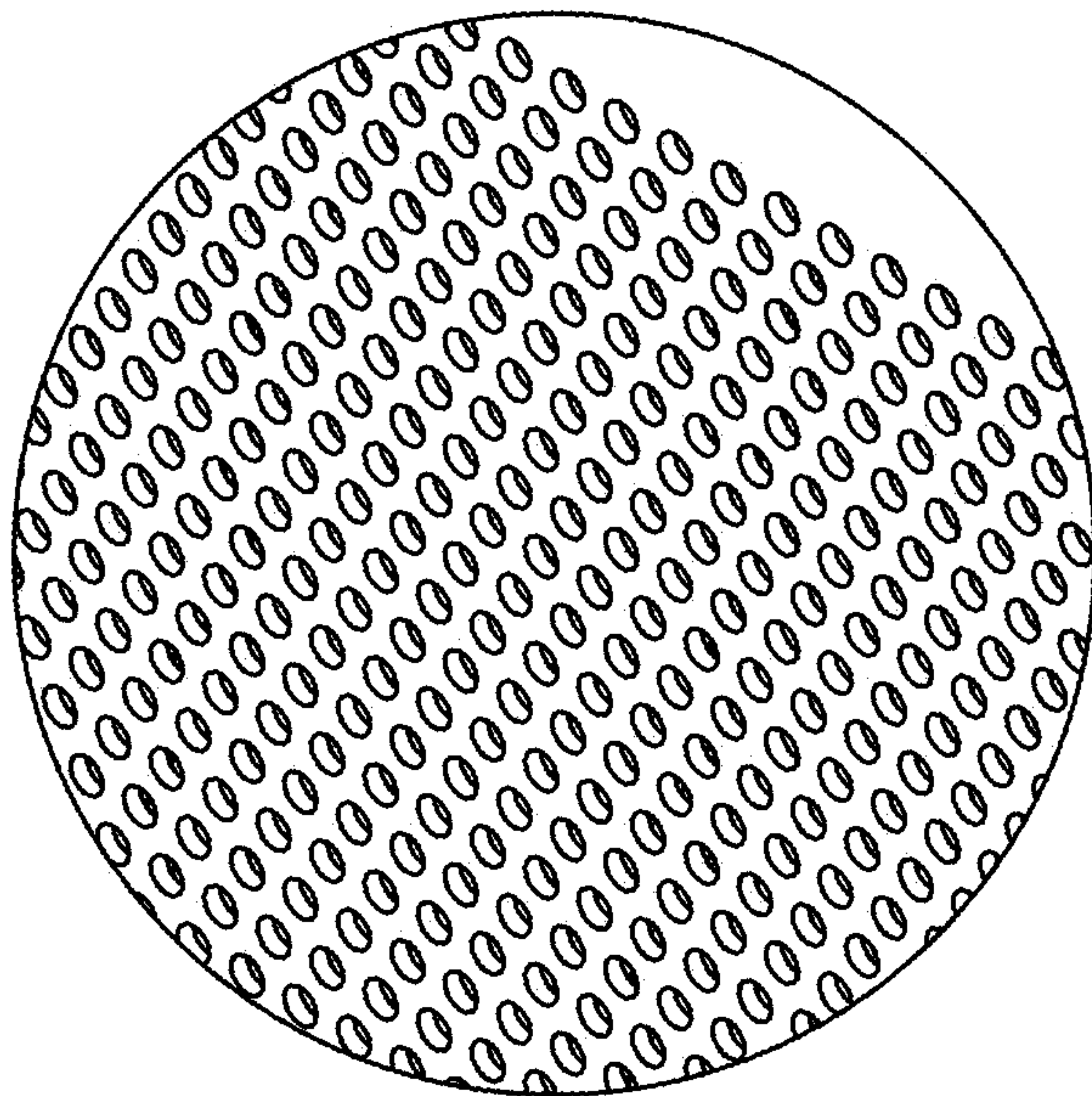


FIG. 9