



US00D722959S

(12) **United States Design Patent**  
**Bulgarov et al.**

(10) **Patent No.:** **US D722,959 S**

(45) **Date of Patent:** **\*\* Feb. 24, 2015**

- (54) **WIRELESS CHARGING DEVICE**
- (71) Applicants: **Vitaly Bulgarov**, Irvine, CA (US);  
**Patrick Moritz**, San Rafael, CA (US)
- (72) Inventors: **Vitaly Bulgarov**, Irvine, CA (US);  
**Patrick Moritz**, San Rafael, CA (US)
- (73) Assignee: **Intel Corporation**, Santa Clara, CA (US)

D640,248 S *	6/2011	Baumann et al.	.....	D14/253
D693,814 S *	11/2013	Park	.....	D14/434
D701,831 S *	4/2014	Park et al.	.....	D13/108
D706,212 S *	6/2014	Zwierstra et al.	.....	D13/107
2009/0102419 A1 *	4/2009	Gwon et al.	.....	320/108

\* cited by examiner

*Primary Examiner* — Rosemary K Tarcza

(74) *Attorney, Agent, or Firm* — Jordan IP Law, LLC

(\*\*) Term: **14 Years**

(21) Appl. No.: **29/477,906**

(22) Filed: **Dec. 28, 2013**

(51) **LOC (10) Cl.** ..... **13-02**

(52) **U.S. Cl.**  
USPC ..... **D13/108**

(58) **Field of Classification Search**  
USPC ..... D13/107–110, 118–119, 184, 199;  
D14/251, 253, 432, 434; 320/107–115,  
320/128, 137–140

See application file for complete search history.

(56) **References Cited**

U.S. PATENT DOCUMENTS

D475,417 S *	6/2003	Wintersteiger	.....	D21/329
D476,376 S *	6/2003	Wintersteiger	.....	D21/329
D508,458 S *	8/2005	Solland et al.	.....	D13/108
D521,927 S *	5/2006	Franck et al.	.....	D13/108
D527,704 S *	9/2006	Rodarte	.....	D13/108
D530,717 S *	10/2006	Mori et al.	.....	D14/434
D537,409 S *	2/2007	Suzuki	.....	D13/108
D574,769 S *	8/2008	Fisher et al.	.....	D13/108
D578,960 S *	10/2008	Fisher et al.	.....	D13/108
D578,961 S *	10/2008	Fisher et al.	.....	D13/108
7,622,892 B2 *	11/2009	Kim et al.	.....	320/108
D609,636 S *	2/2010	Jensen	.....	D13/108
7,710,071 B2 *	5/2010	Elizalde Rodarte	.....	320/115
7,839,120 B2 *	11/2010	Elizalde Rodarte	.....	320/115

(57) **CLAIM**

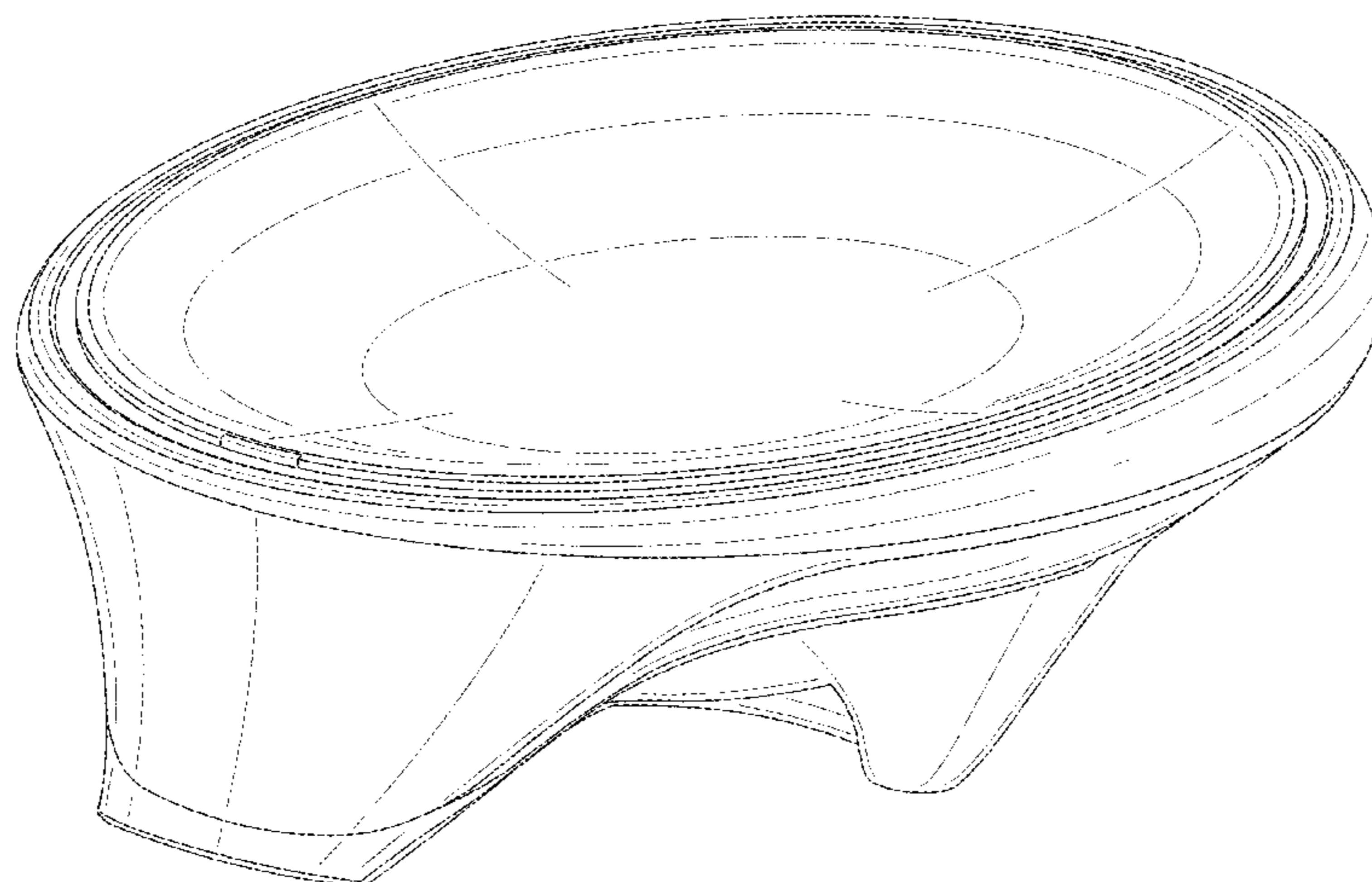
The ornamental design for a wireless charging device, as shown and described in FIGS. 1 through 8.

**DESCRIPTION**

FIG. 1 is a front perspective view of a wireless charging device, in accordance with the embodiment;  
 FIG. 2 is a rear perspective view of the wireless charging device of FIG. 1;  
 FIG. 3 is a front view of the wireless charging device of FIG. 1;  
 FIG. 4 is a rear view of the wireless charging device of FIG. 1;  
 FIG. 5 is a side view of the wireless charging device of FIG. 1;  
 FIG. 6 is a side view of the wireless charging device of FIG. 1;  
 FIG. 7 is a top view of the wireless charging device of FIG. 1; and,  
 FIG. 8 is a bottom view of the wireless charging device of FIG. 1.

Broken lines of the FIGURES are illustrative and depict environment; therefore, they form no part of the claimed design. Additionally, in some embodiments, non-oblique line shading is meant to show contour of represented surfaces, not surface ornamentation.

**1 Claim, 8 Drawing Sheets**



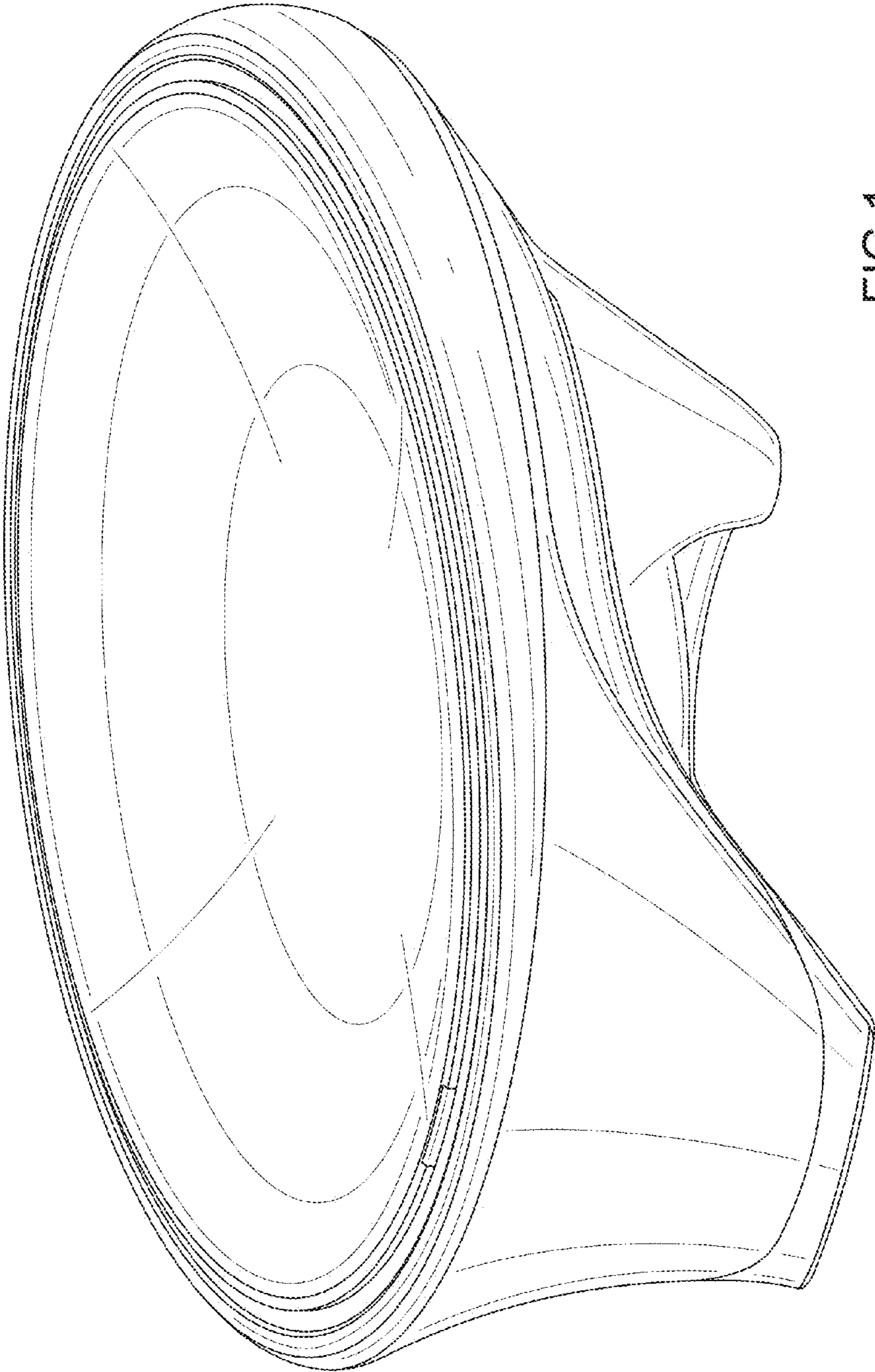


FIG.1

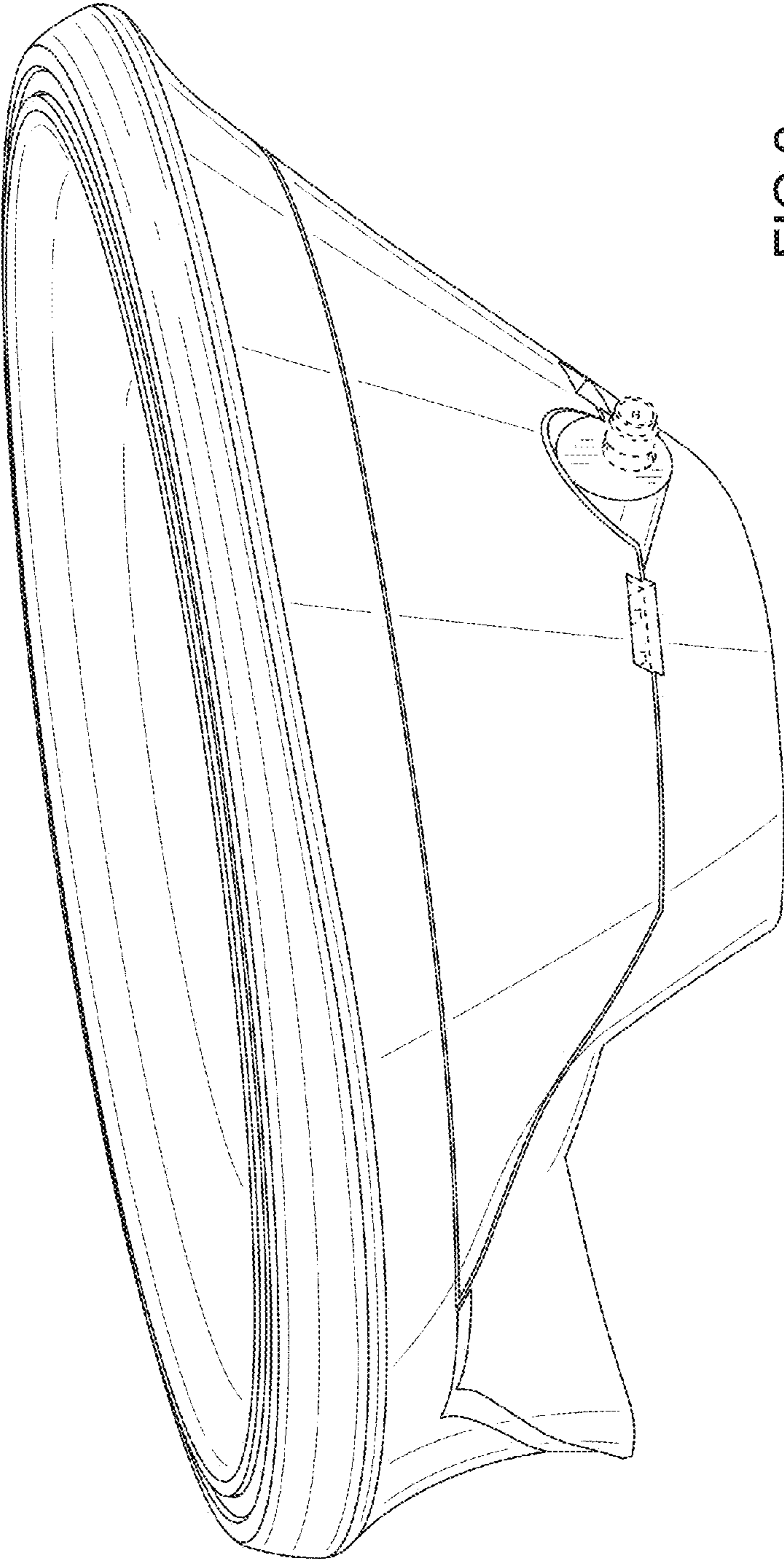


FIG.2

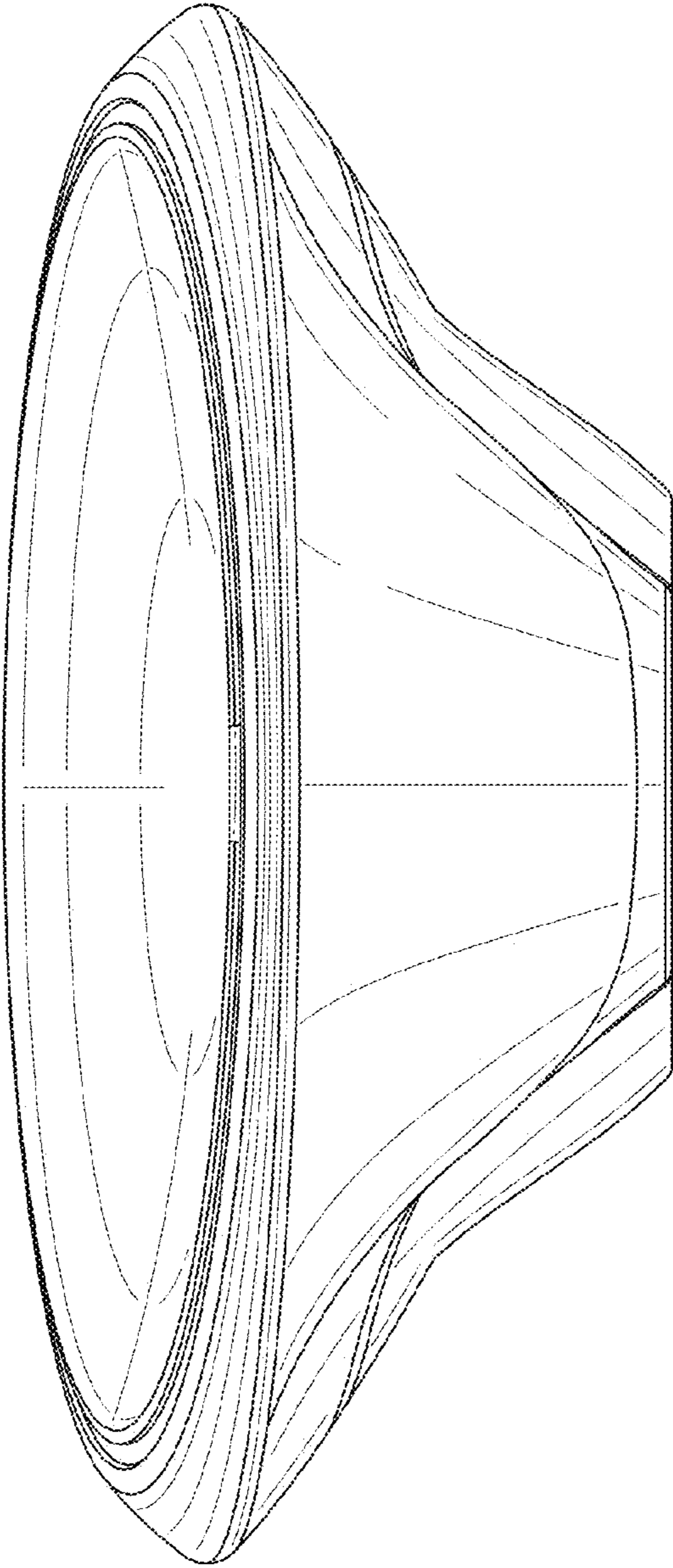


FIG.3

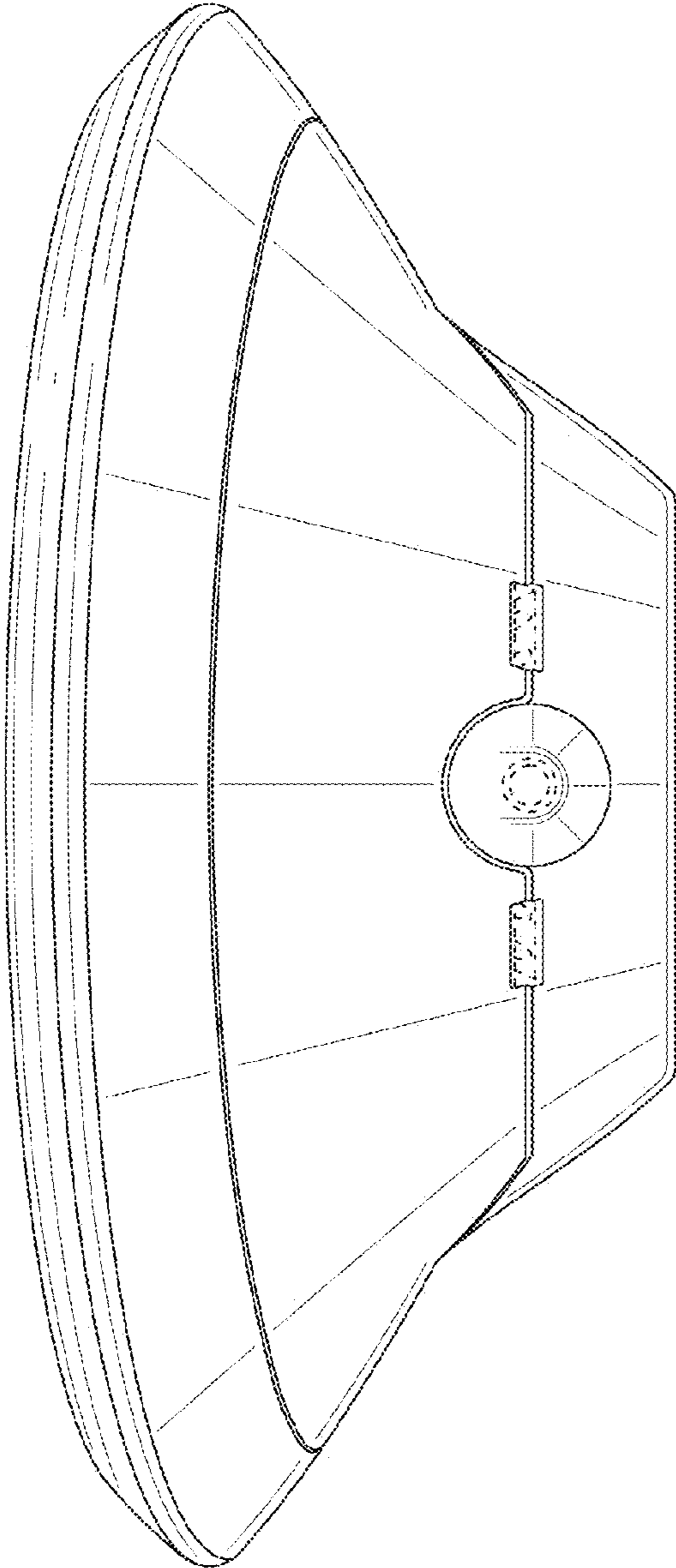


FIG.4

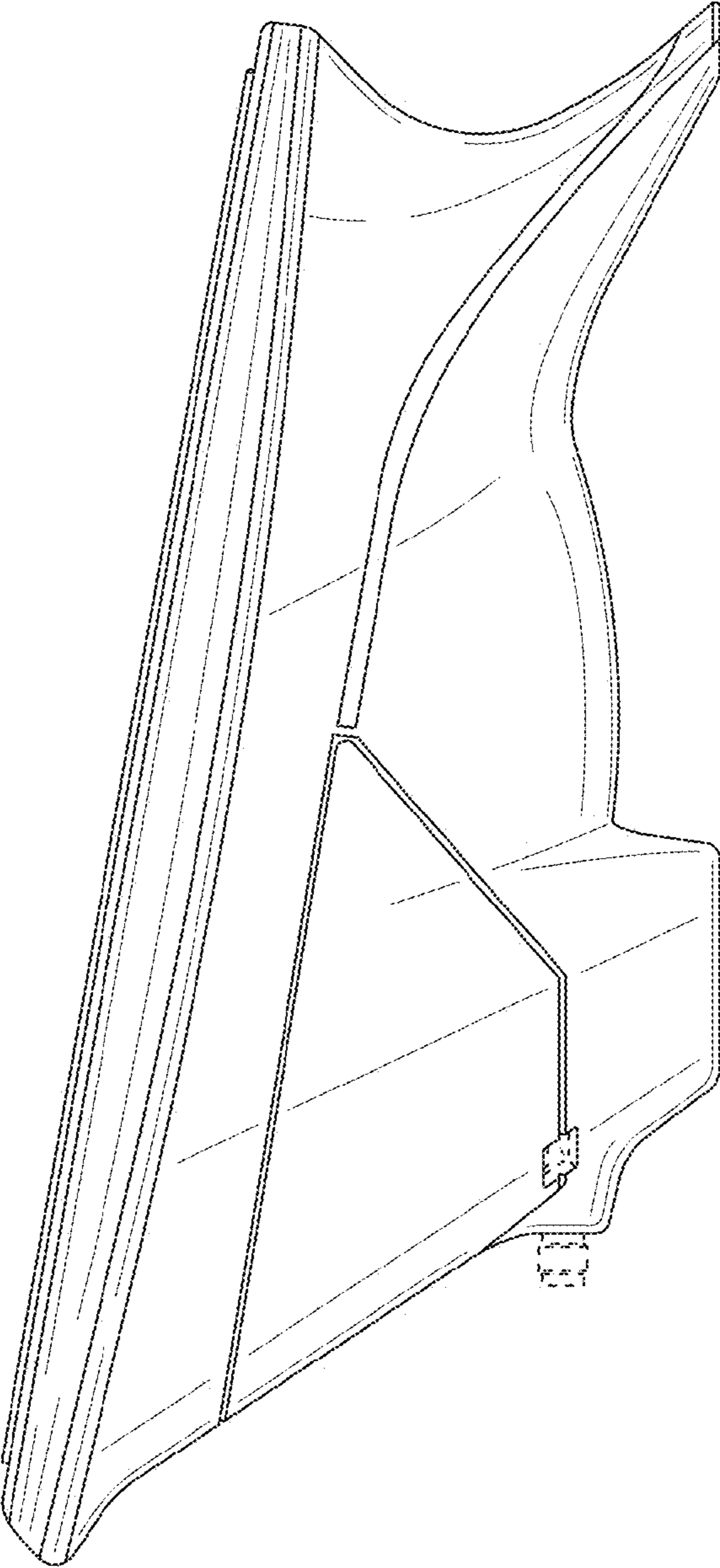


FIG.5

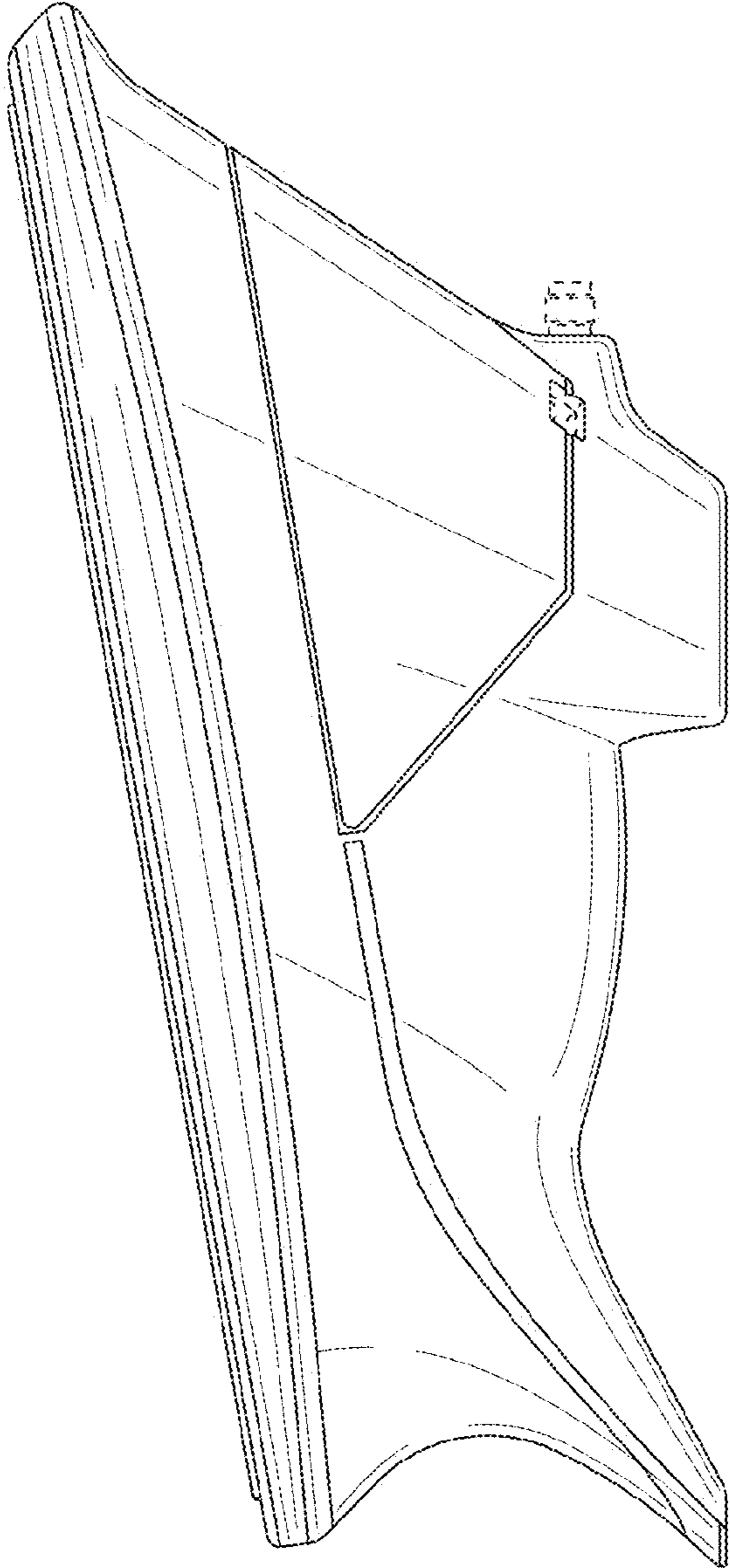


FIG.6

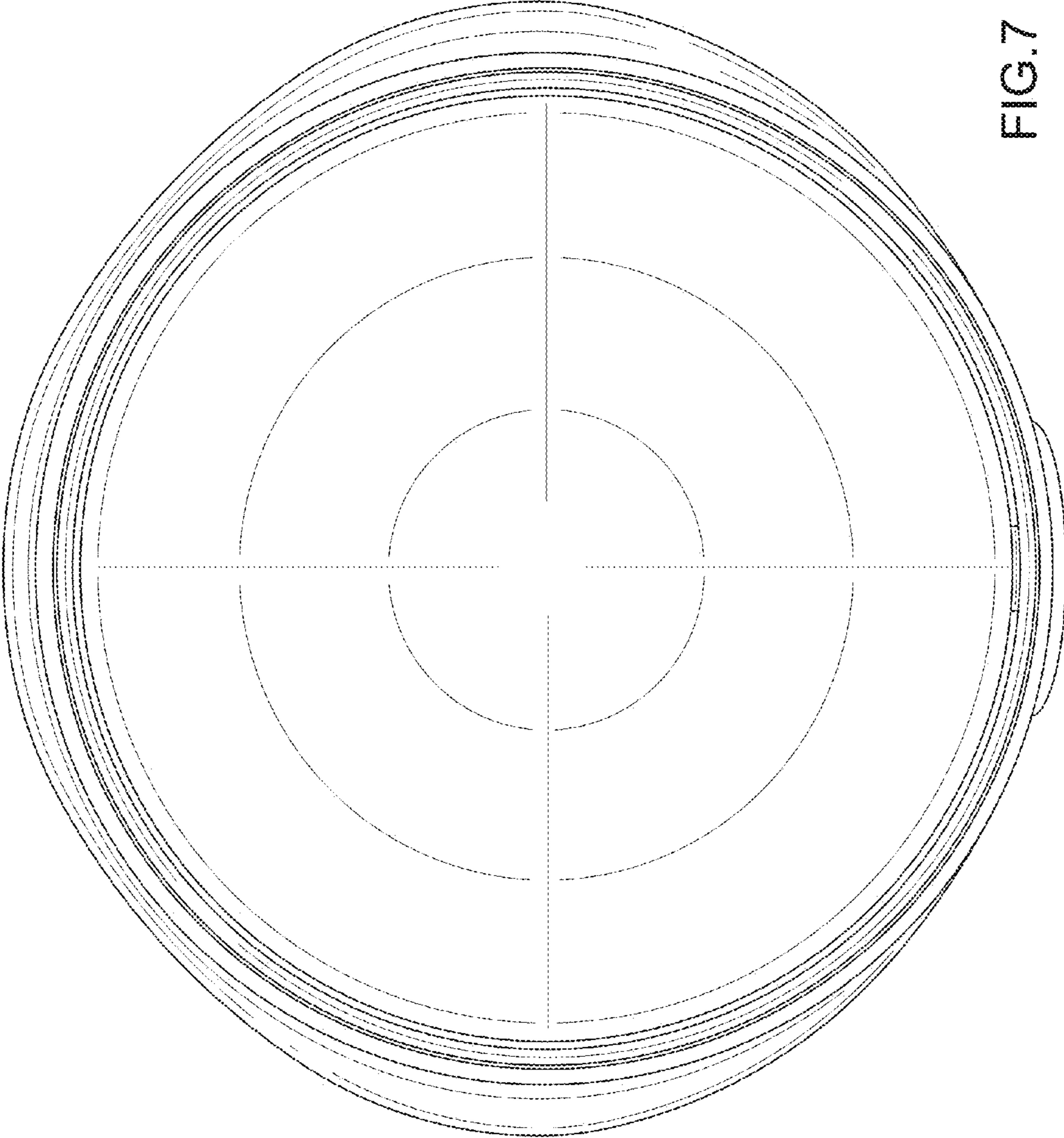


FIG.7



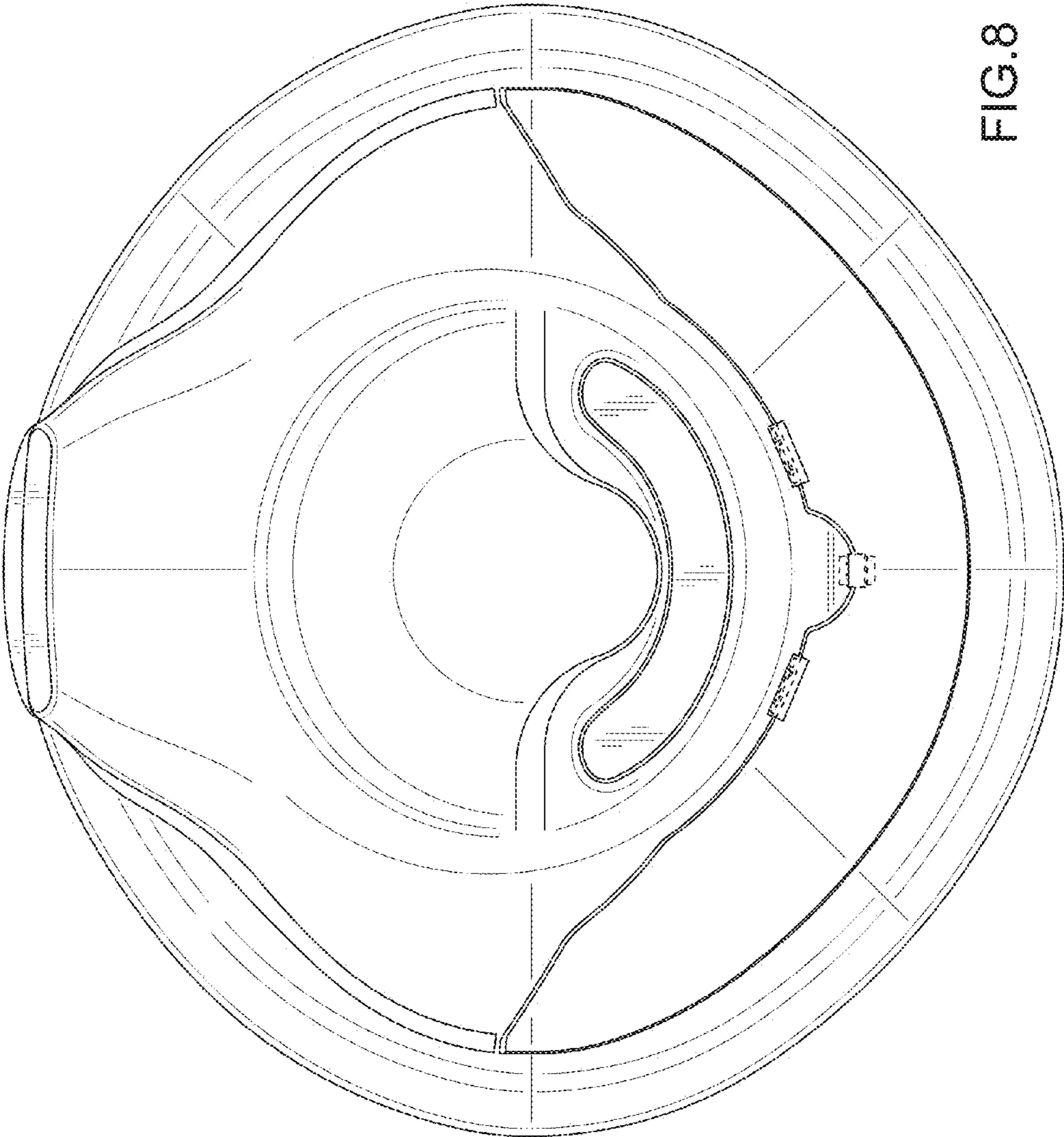


FIG.8