



US00D722955S

(12) **United States Design Patent**
Shen

(10) **Patent No.:** **US D722,955 S**

(45) **Date of Patent:** **** Feb. 24, 2015**

(54) **CHARGER**

(71) Applicant: **Ningbo Taller Electrical Appliance Co., Ltd.**, Yuyao, Zhejiang (CN)

(72) Inventor: **Jianli Shen**, Zhejiang (CN)

(73) Assignee: **Ningbo Taller Electrical Appliance Co., Ltd.**, Yuyao (CN)

(**) Term: **14 Years**

(21) Appl. No.: **29/464,289**

(22) Filed: **Aug. 15, 2013**

(30) **Foreign Application Priority Data**

Jul. 4, 2013 (CN) 2013 3 0308014

(51) **LOC (10) Cl.** **13-02**

(52) **U.S. Cl.**
USPC **D13/107**

(58) **Field of Classification Search**
USPC D13/107-110, 118-119, 184, 199;
D14/251, 253, 432, 434; 320/107-115,
320/128, 137-140

See application file for complete search history.

(56) **References Cited**

U.S. PATENT DOCUMENTS

D475,966	S	*	6/2003	Chunn et al.	D13/108
D476,621	S	*	7/2003	Chunn et al.	D13/108
D494,962	S	*	8/2004	Shen	D14/253
D543,936	S	*	6/2007	Wada	D13/108
D562,826	S	*	2/2008	Willis	D14/434
D653,206	S	*	1/2012	Heine et al.	D13/108
D674,391	S	*	1/2013	Chatterjee et al.	D14/434
D687,038	S	*	7/2013	Chatterjee et al.	D14/434
2011/0204848	A1	*	8/2011	Becker et al.	320/110

* cited by examiner

Primary Examiner — Rosemary K Tarca

(57) **CLAIM**

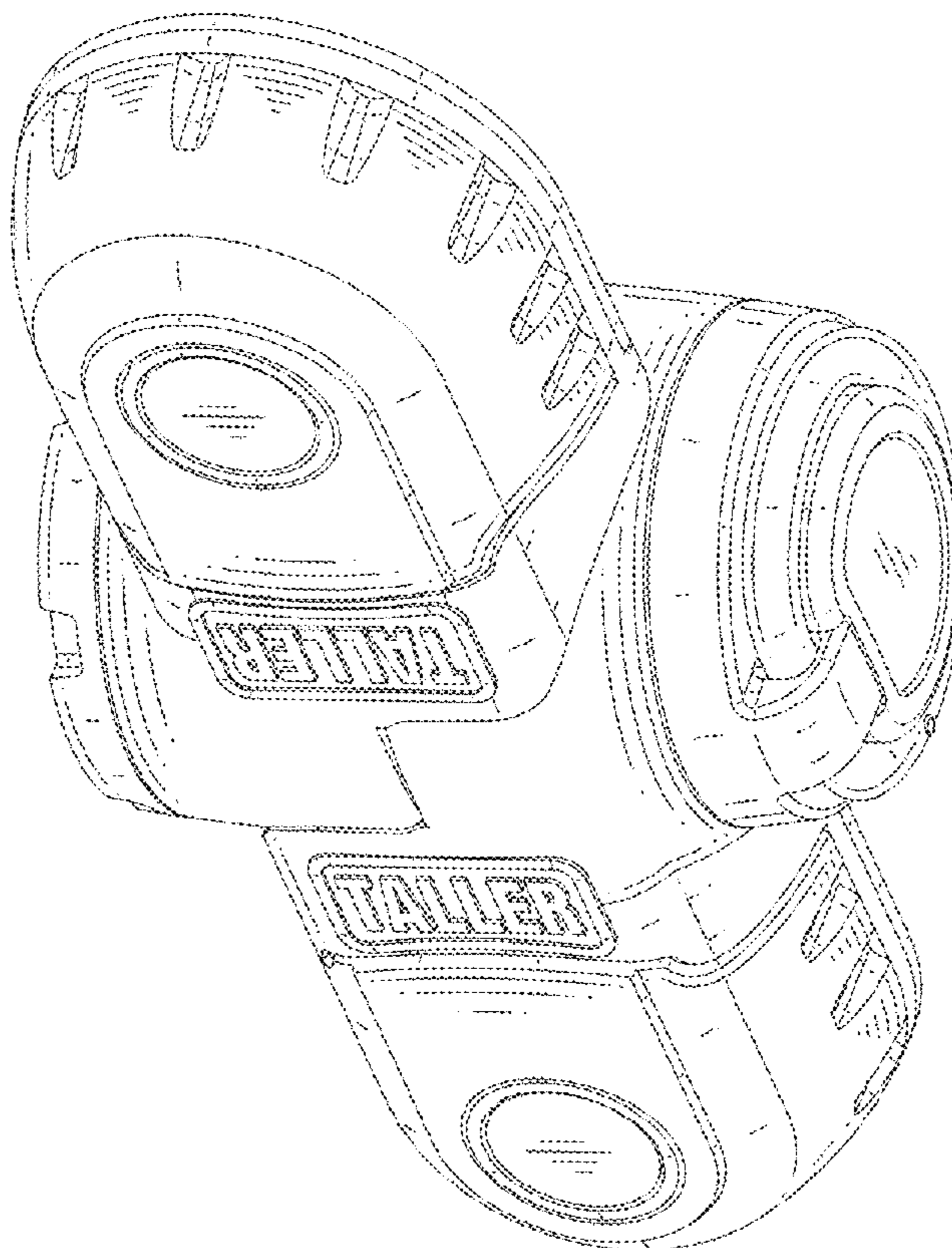
The ornamental design for a charger, as shown and described.

DESCRIPTION

FIG. 1 is a front view of a charger showing my new design;
FIG. 2 is a rear view thereof;
FIG. 3 is a left side view thereof;
FIG. 4 is a right side view thereof;
FIG. 5 is a top plan view thereof;
FIG. 6 is a bottom plan view thereof; and,
FIG. 7 is a perspective view thereof.

The broken lines in the drawings are for the purpose of illustrating unclaimed portions of the charger and form no part of the claimed design.

1 Claim, 7 Drawing Sheets



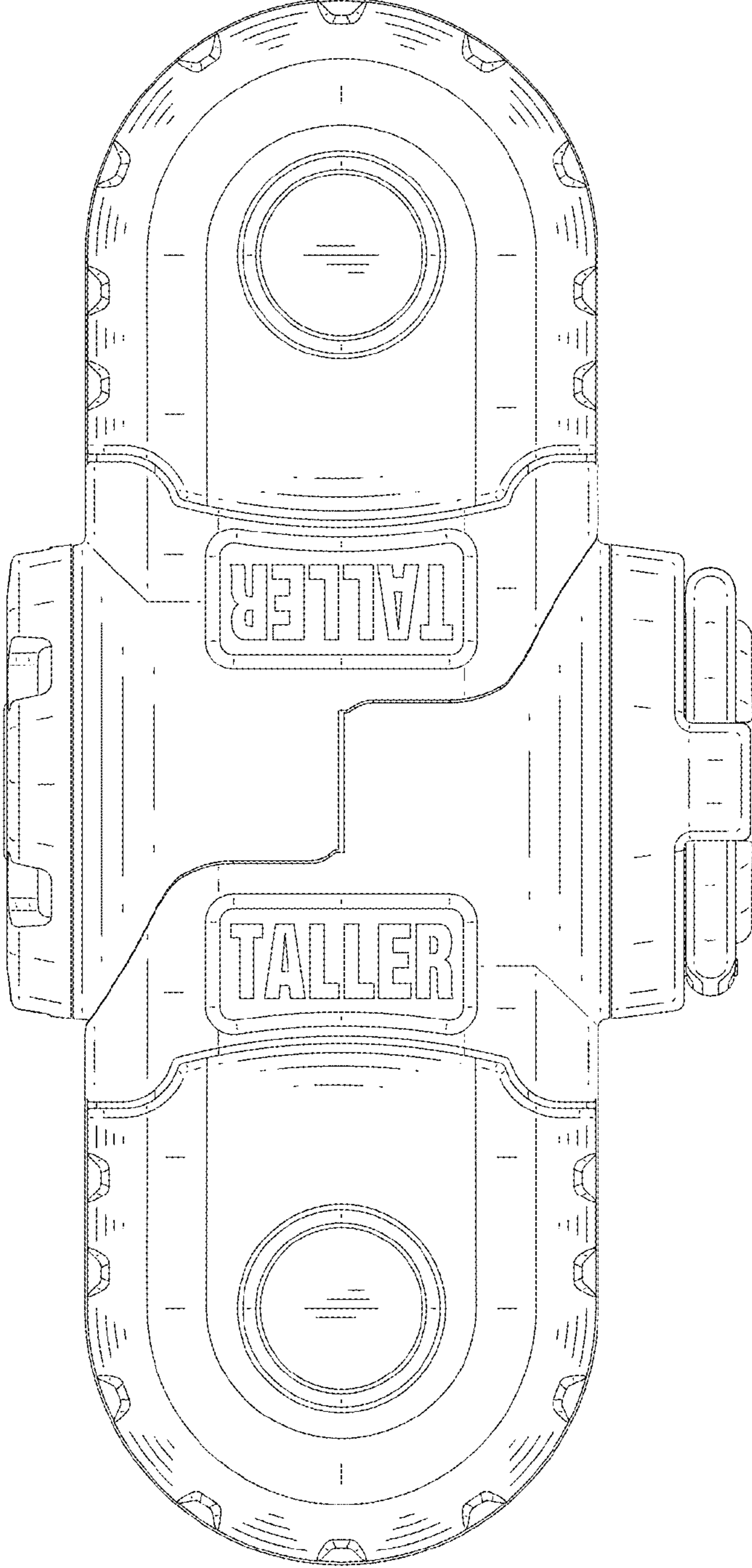


FIG.1

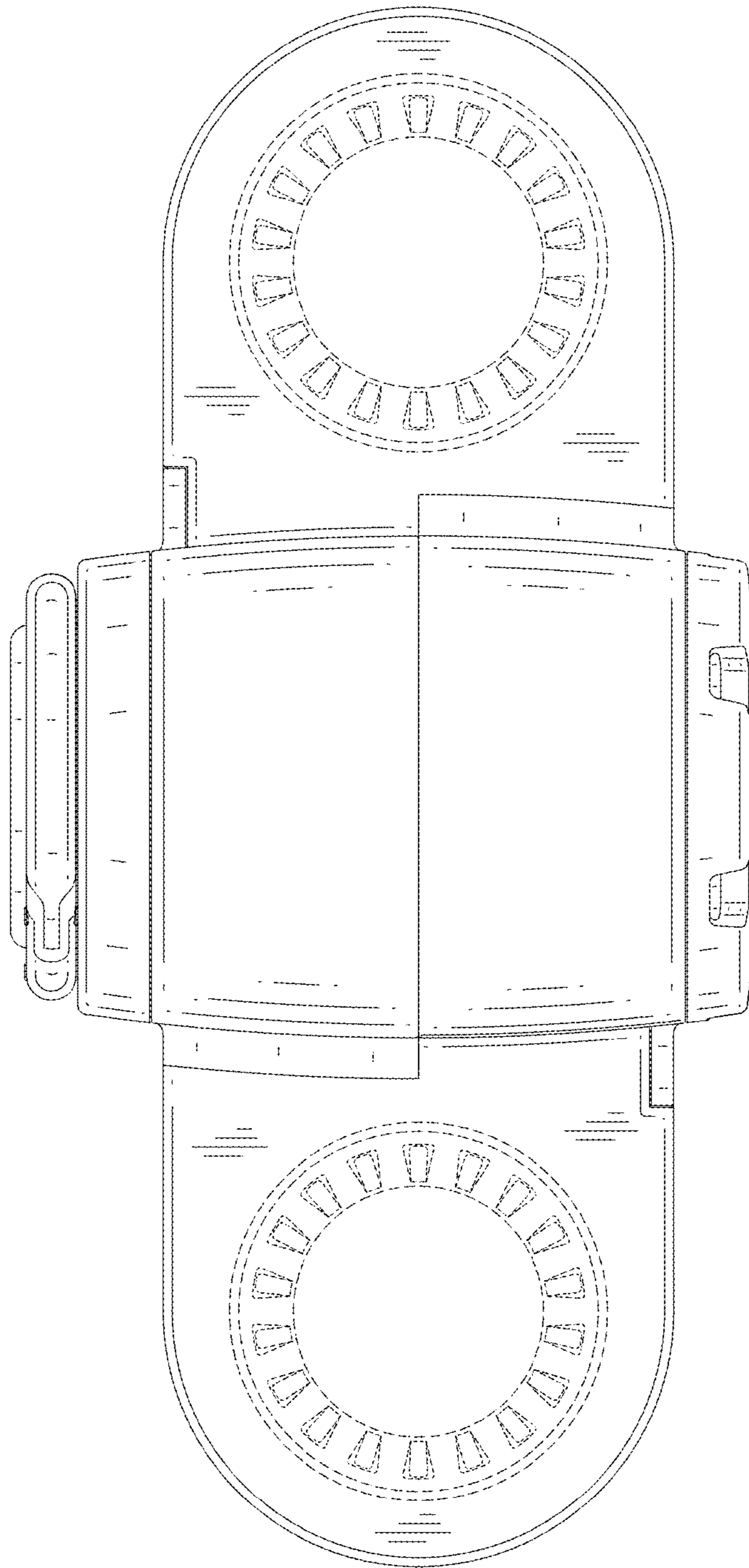


FIG.2

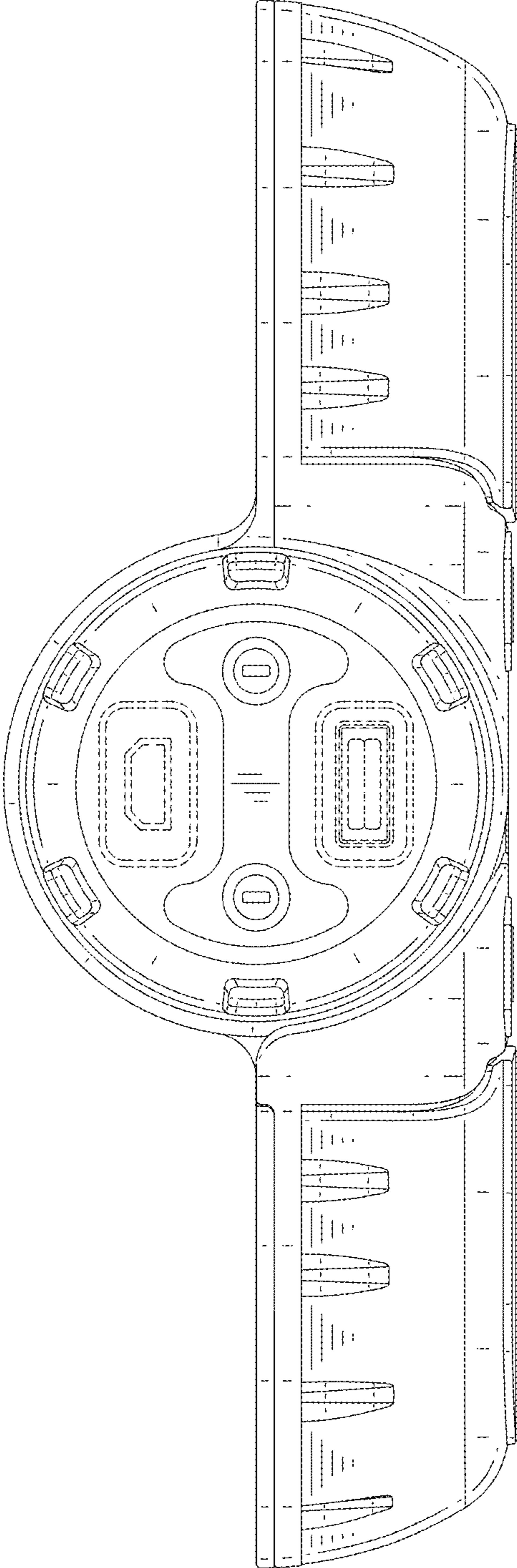


FIG.3

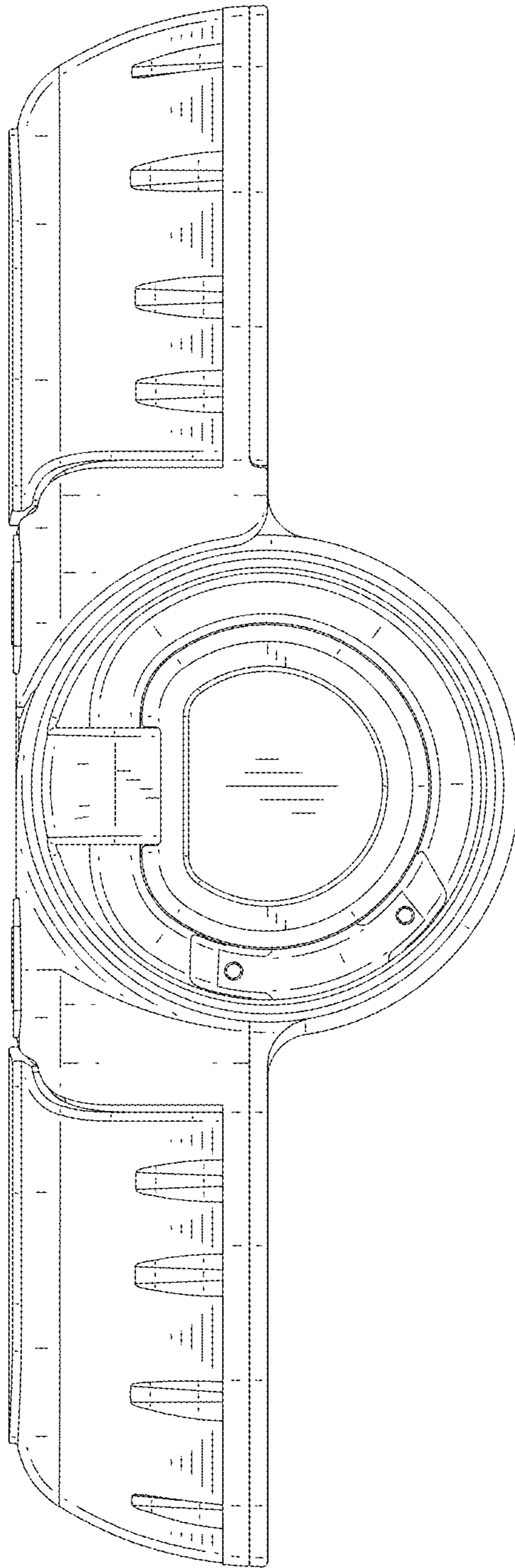


FIG.4

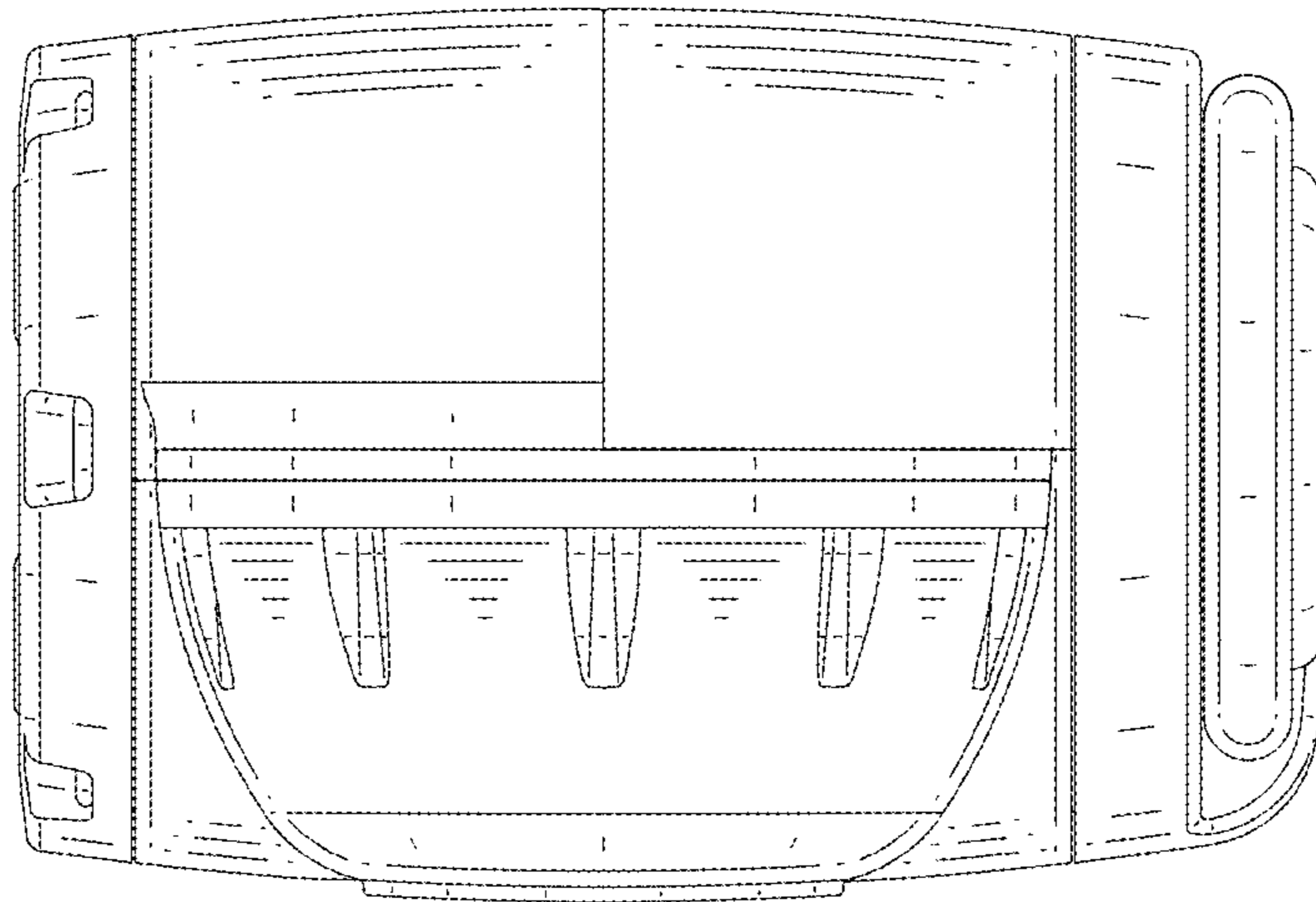


FIG.5

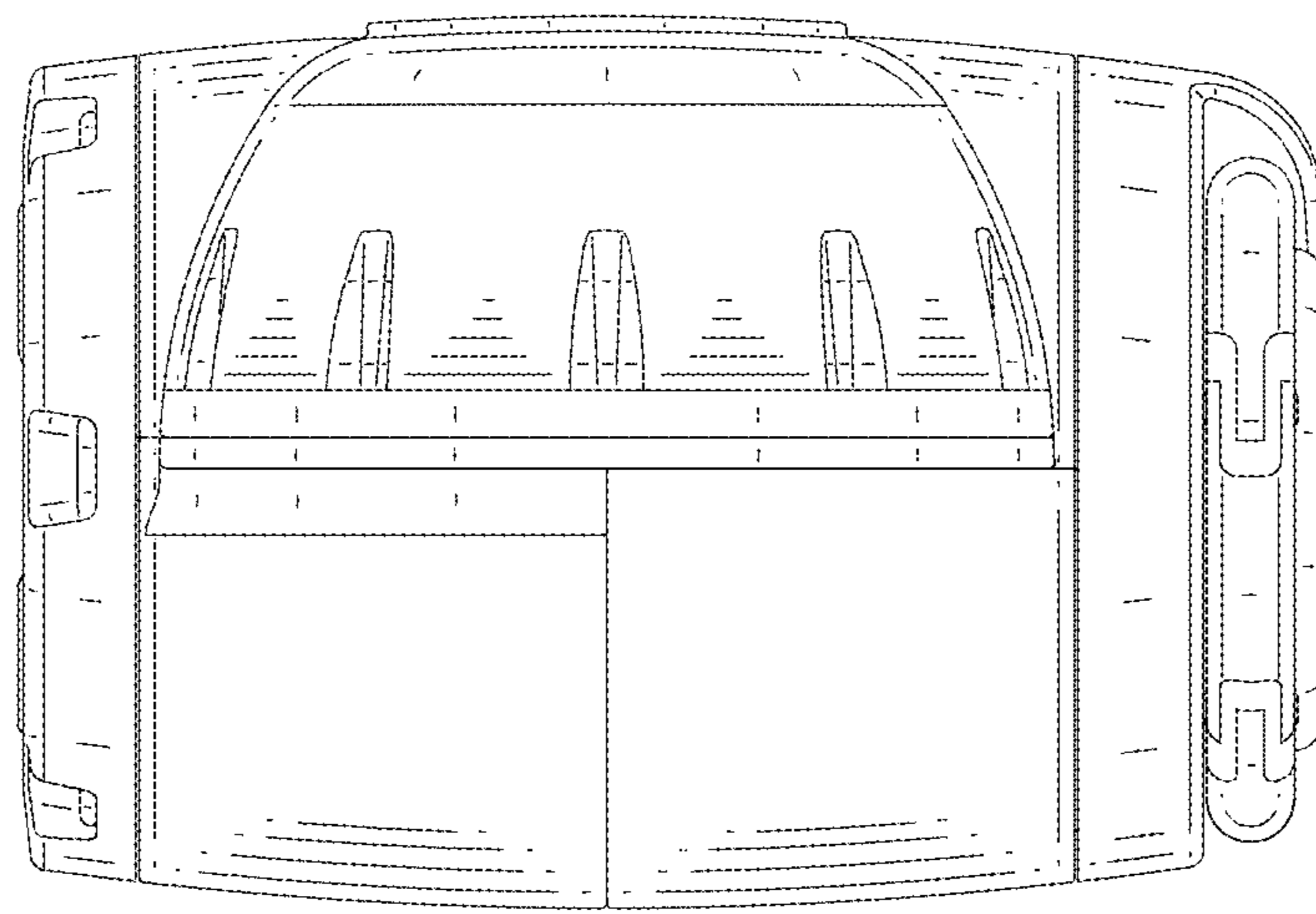


FIG.6

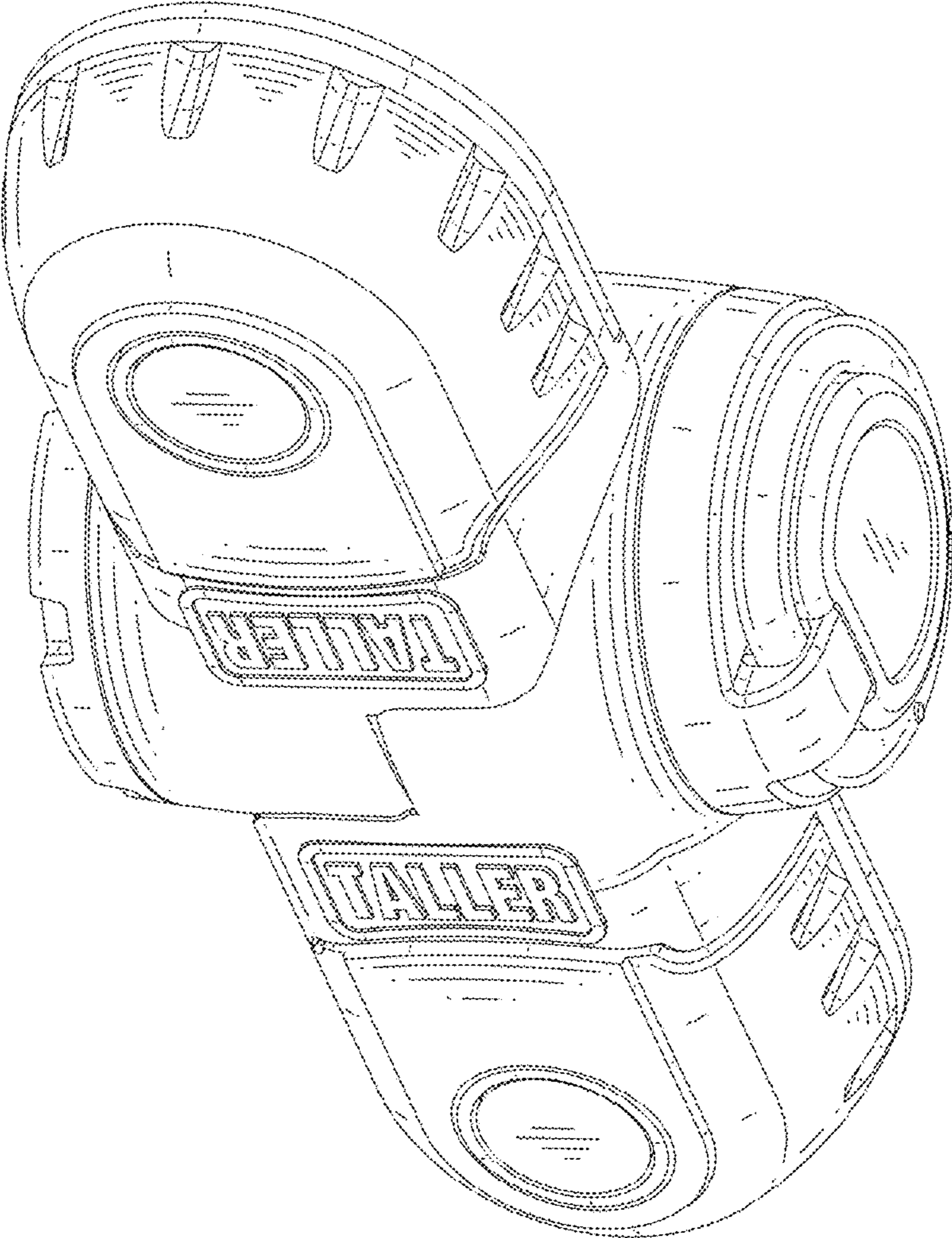


FIG.7