



US00D722954S

(12) **United States Design Patent**
James

(10) **Patent No.:** **US D722,954 S**
(45) **Date of Patent:** **** Feb. 24, 2015**

(54) **BATTERY STARTER**

(71) Applicant: **Harbor Freight Tools USA, Inc.,**
Calabasas, CA (US)

(72) Inventor: **Chad James,** Greenville, SC (US)

(73) Assignee: **Harbor Freight Tools USA, Inc.,**
Calabasas, CA (US)

(**) Term: **14 Years**

(21) Appl. No.: **29/451,284**

(22) Filed: **Mar. 29, 2013**

(51) **LOC (10) Cl.** **13-02**

(52) **U.S. Cl.**
USPC **D13/107**

(58) **Field of Classification Search**
USPC D13/106–110, 118–119, 184, 199;
D15/9; 320/103–105, 107–115
See application file for complete search history.

(56) **References Cited**

U.S. PATENT DOCUMENTS

D423,451 S *	4/2000	Heckenast et al.	D13/110
D444,125 S *	6/2001	Shy	D13/110
6,356,050 B1 *	3/2002	Hussaini	320/105
D504,396 S *	4/2005	Hussaini et al.	D13/107
D512,685 S *	12/2005	Krieger et al.	D13/107
D514,509 S *	2/2006	Krieger et al.	D13/107
D530,664 S *	10/2006	Wingerter et al.	D13/107

D595,222 S *	6/2009	Ellsworth	D13/107
D601,496 S *	10/2009	Shum et al.	D13/107
D609,635 S *	2/2010	Daniels et al.	D13/107
D653,204 S *	1/2012	Whiting et al.	D13/107
D654,864 S *	2/2012	Whiting et al.	D13/107
D684,116 S *	6/2013	Inskeep	D13/107

* cited by examiner

Primary Examiner — Rosemary K Tarcza

(74) *Attorney, Agent, or Firm* — Tarter Krinsky & Drogin LLP

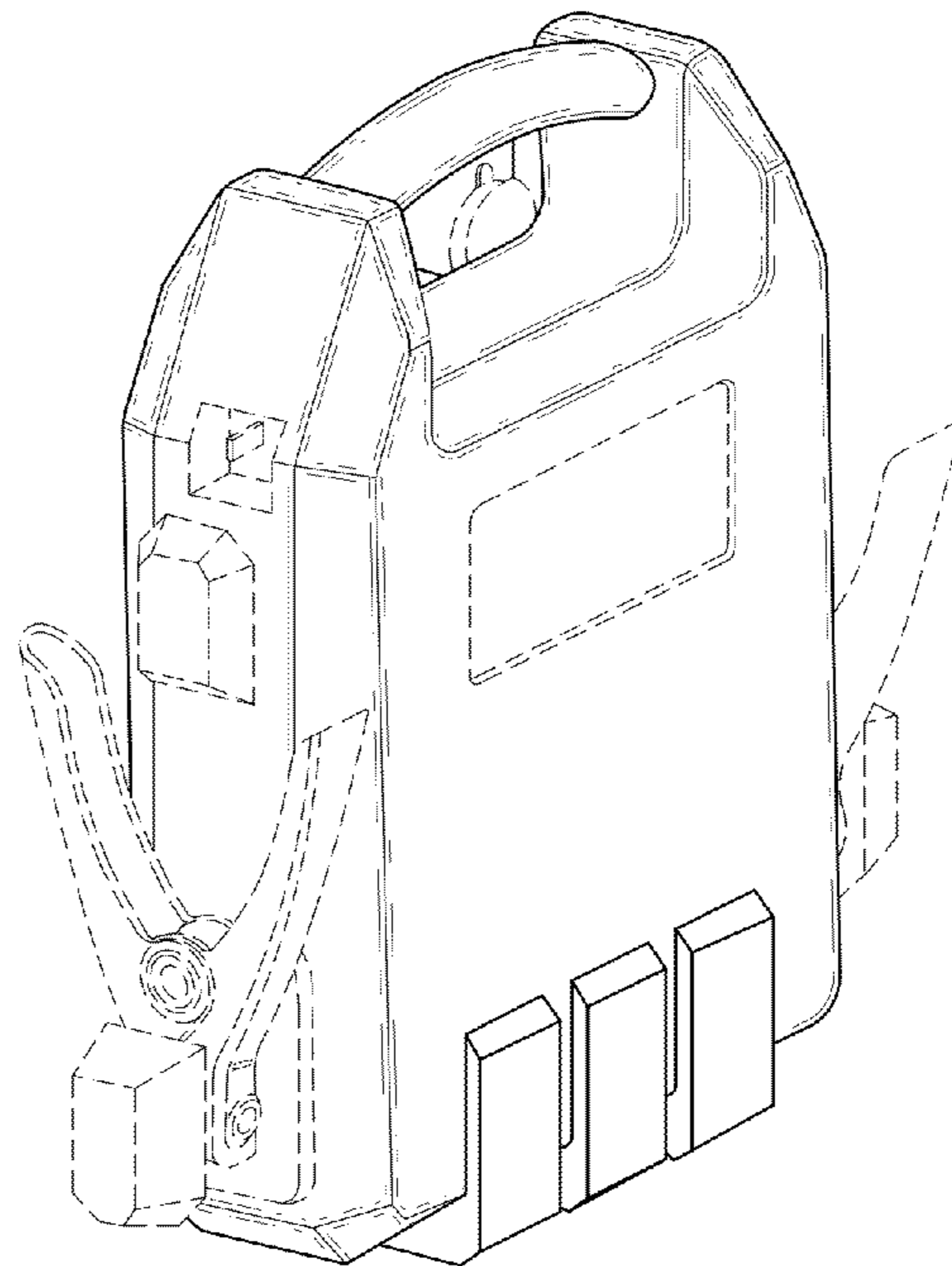
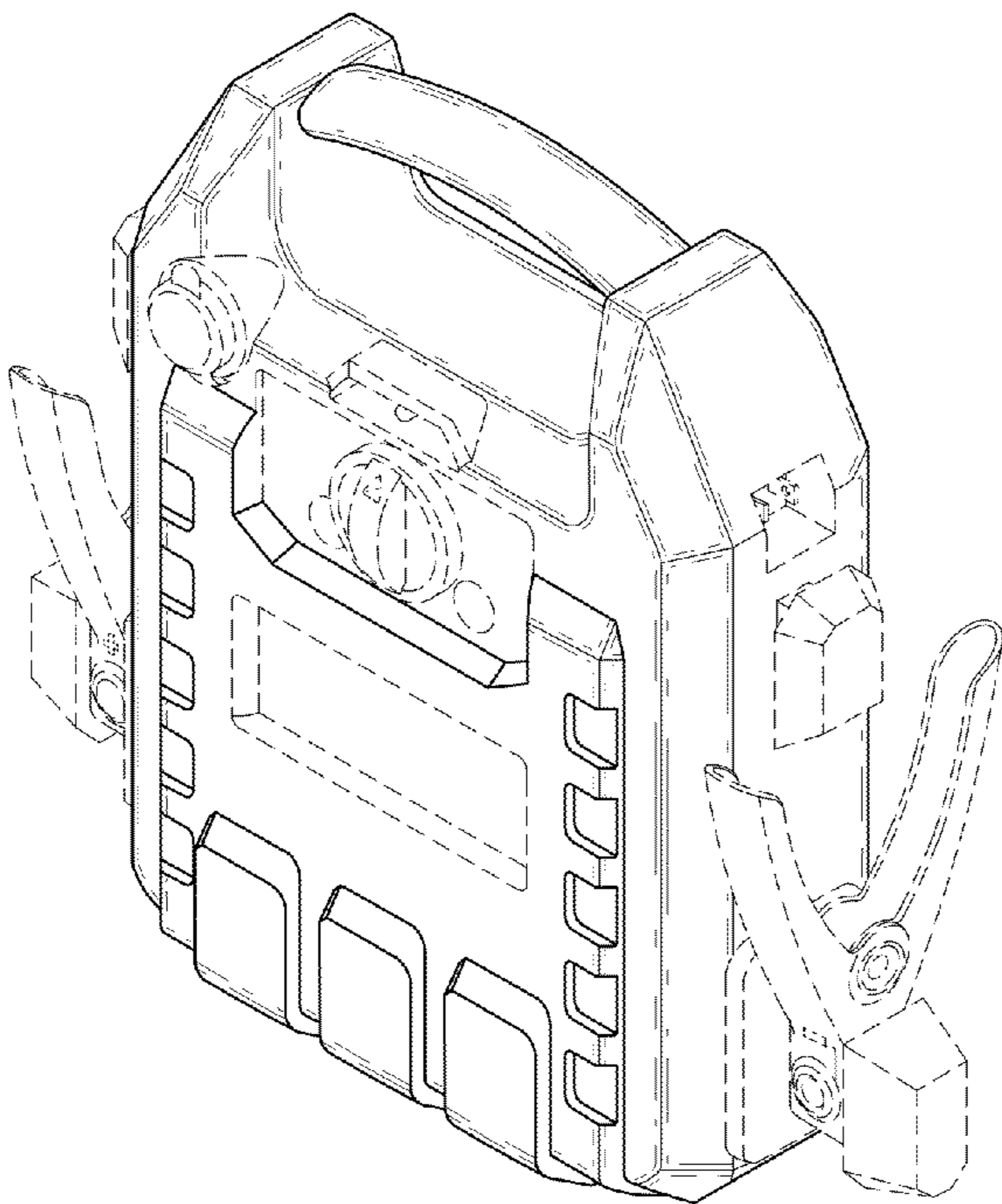
(57) **CLAIM**

The ornamental design for a battery starter, as shown and described.

DESCRIPTION

FIG. 1 is a front view of a first embodiment of a battery starter; FIG. 2 is a rear view thereof; FIG. 3 is a right view thereof; FIG. 4 is a left view thereof; FIG. 5 is a top view thereof; FIG. 6 is a bottom view thereof; FIG. 7 is a front perspective view thereof; and, FIG. 8 is a rear perspective view thereof. The phantom lines shown in the drawings are for illustrative purposes only and form no part of the claimed design.

1 Claim, 4 Drawing Sheets



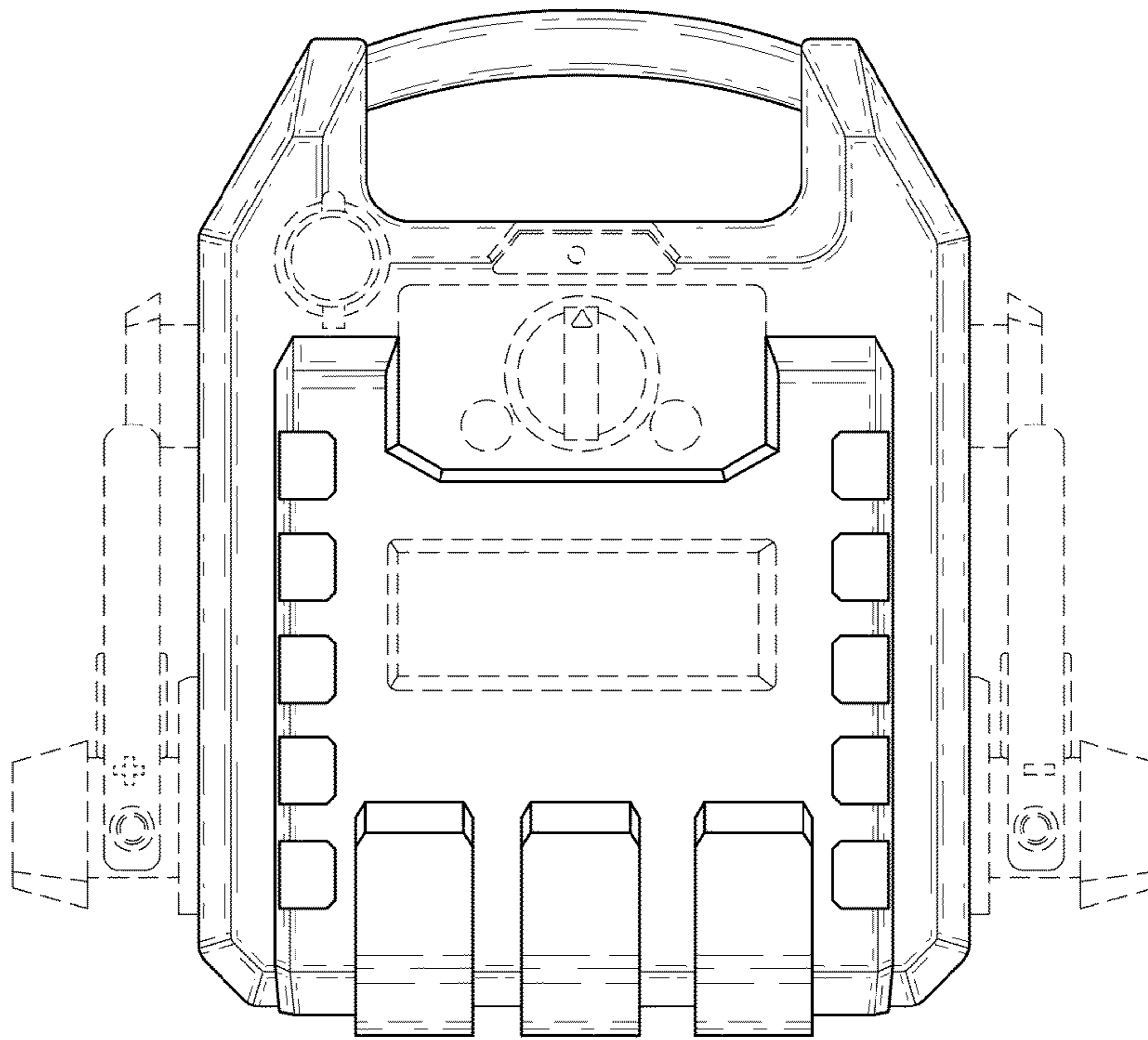


FIG. 1

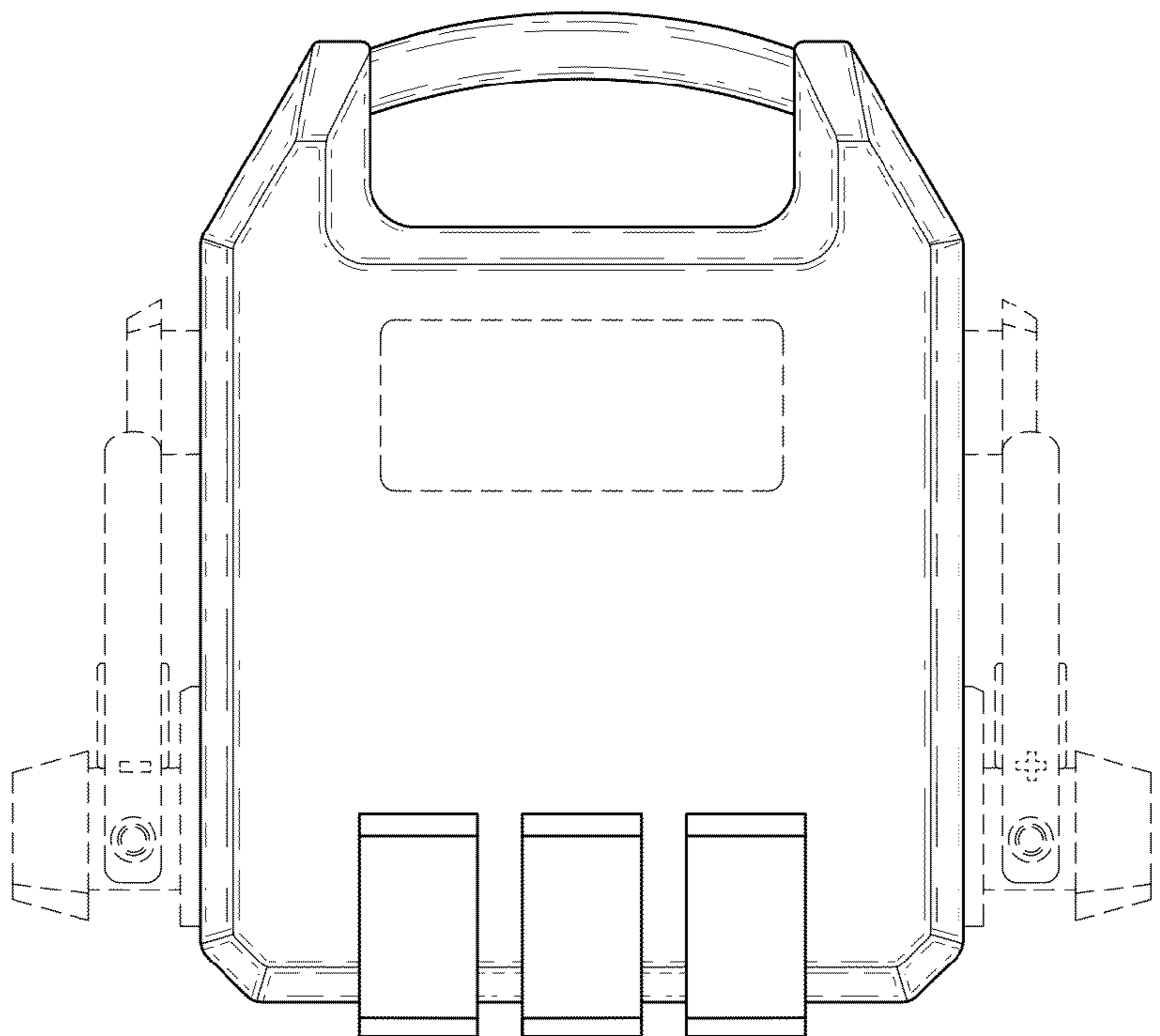


FIG. 2

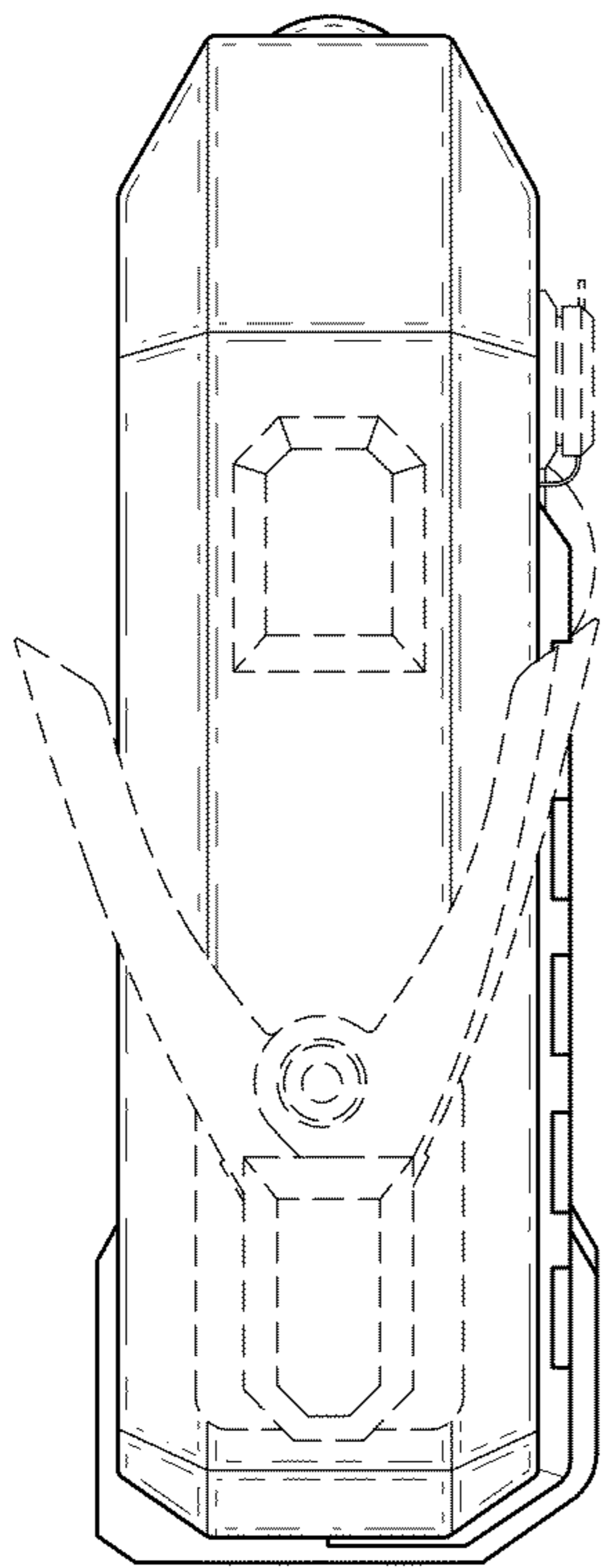


FIG. 3

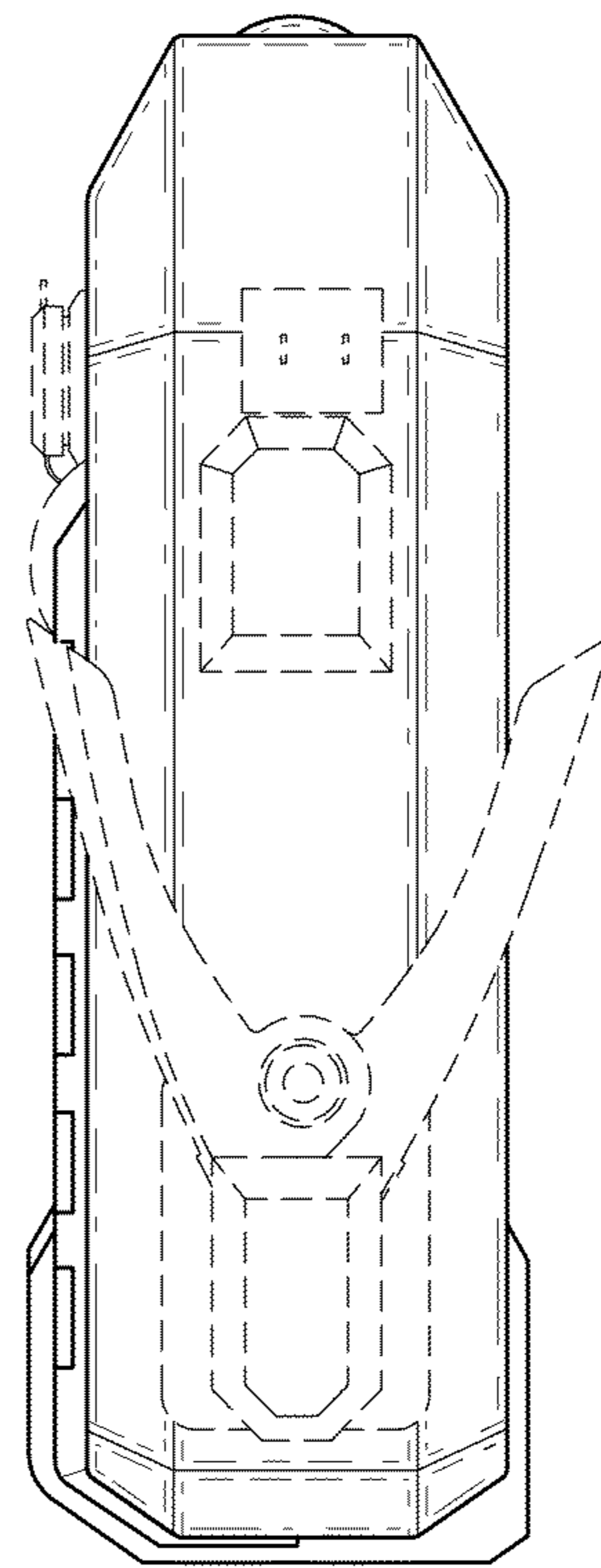


FIG. 4

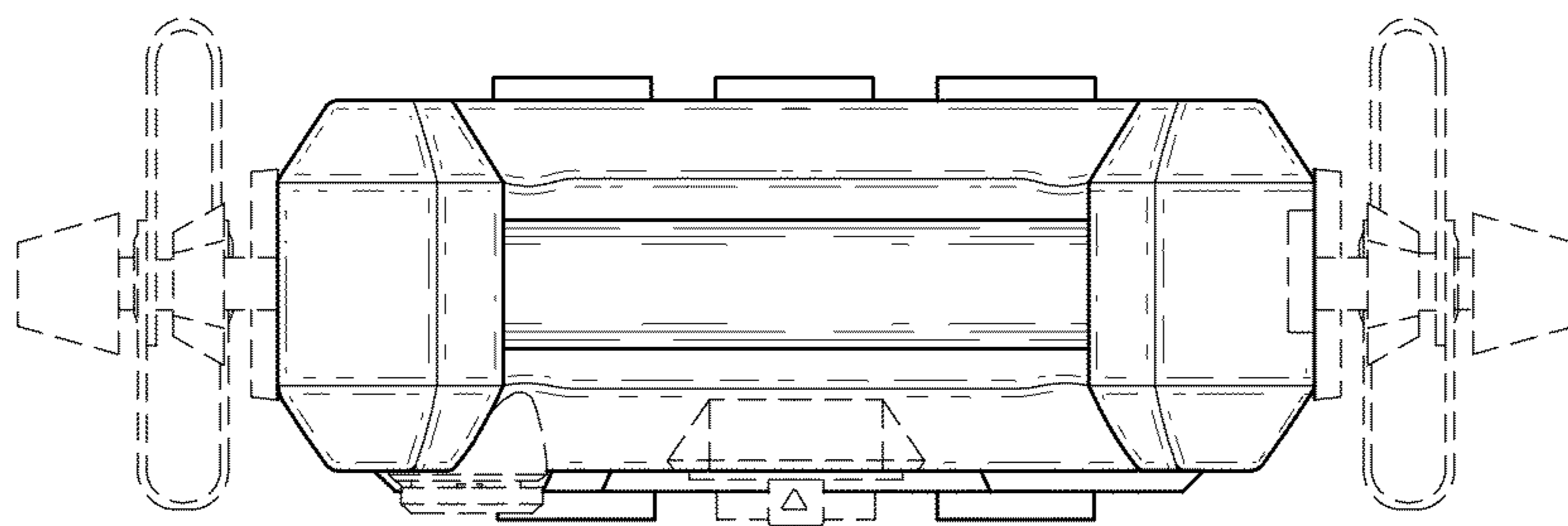


FIG. 5

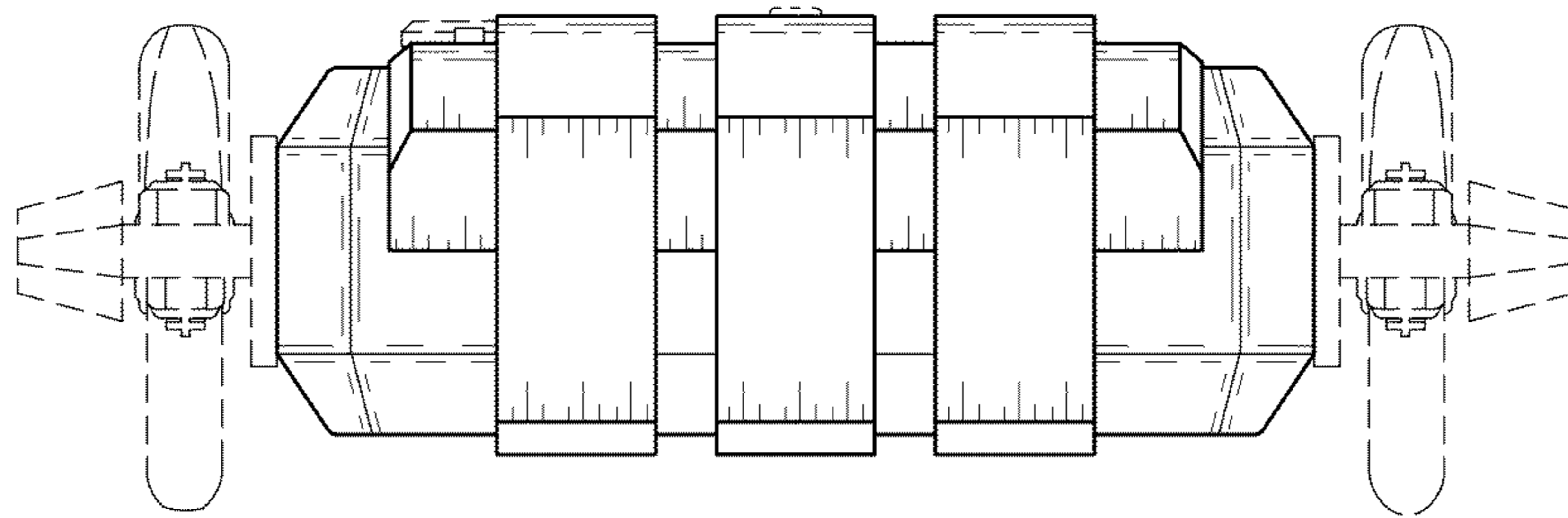


FIG. 6

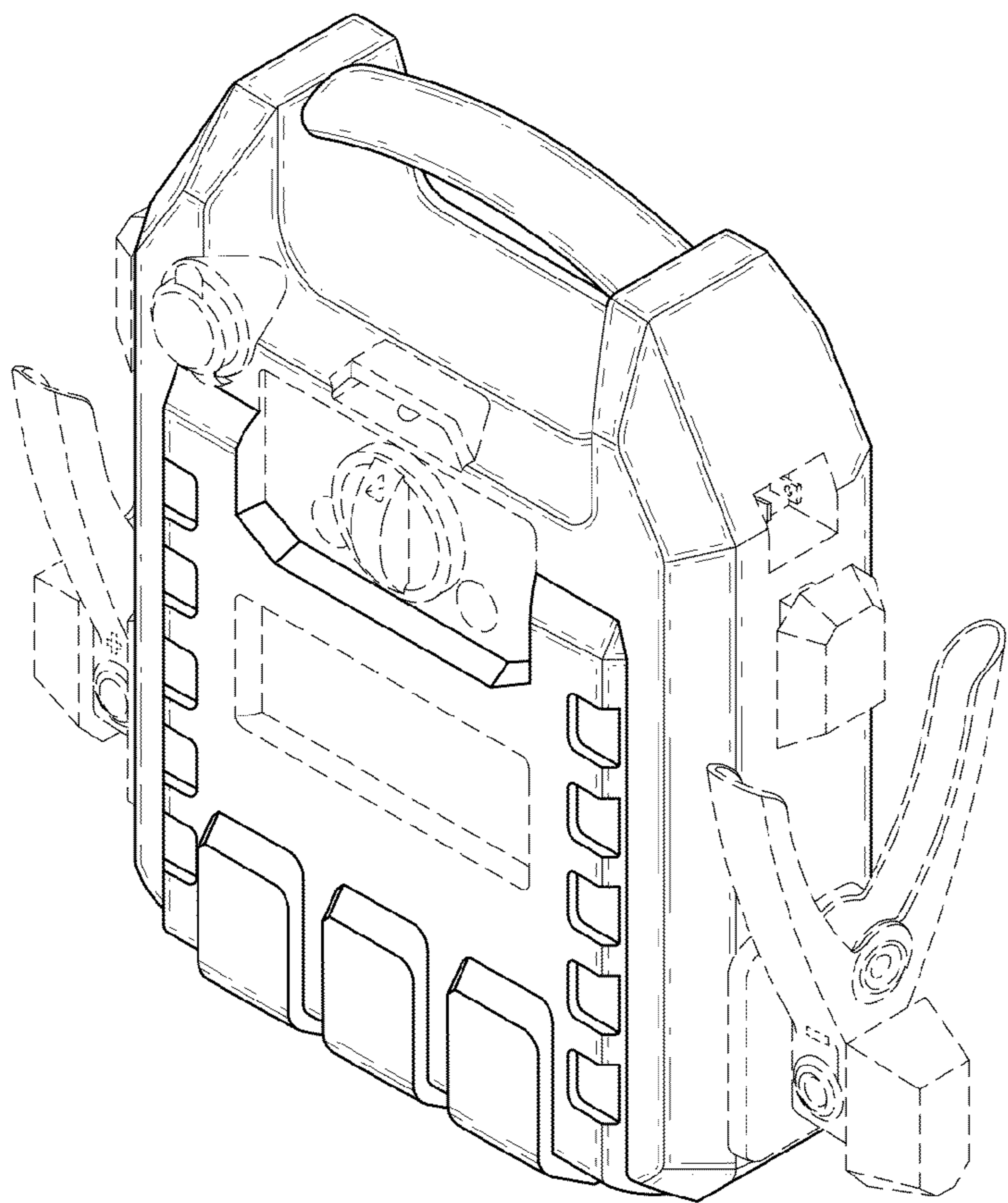


FIG. 7

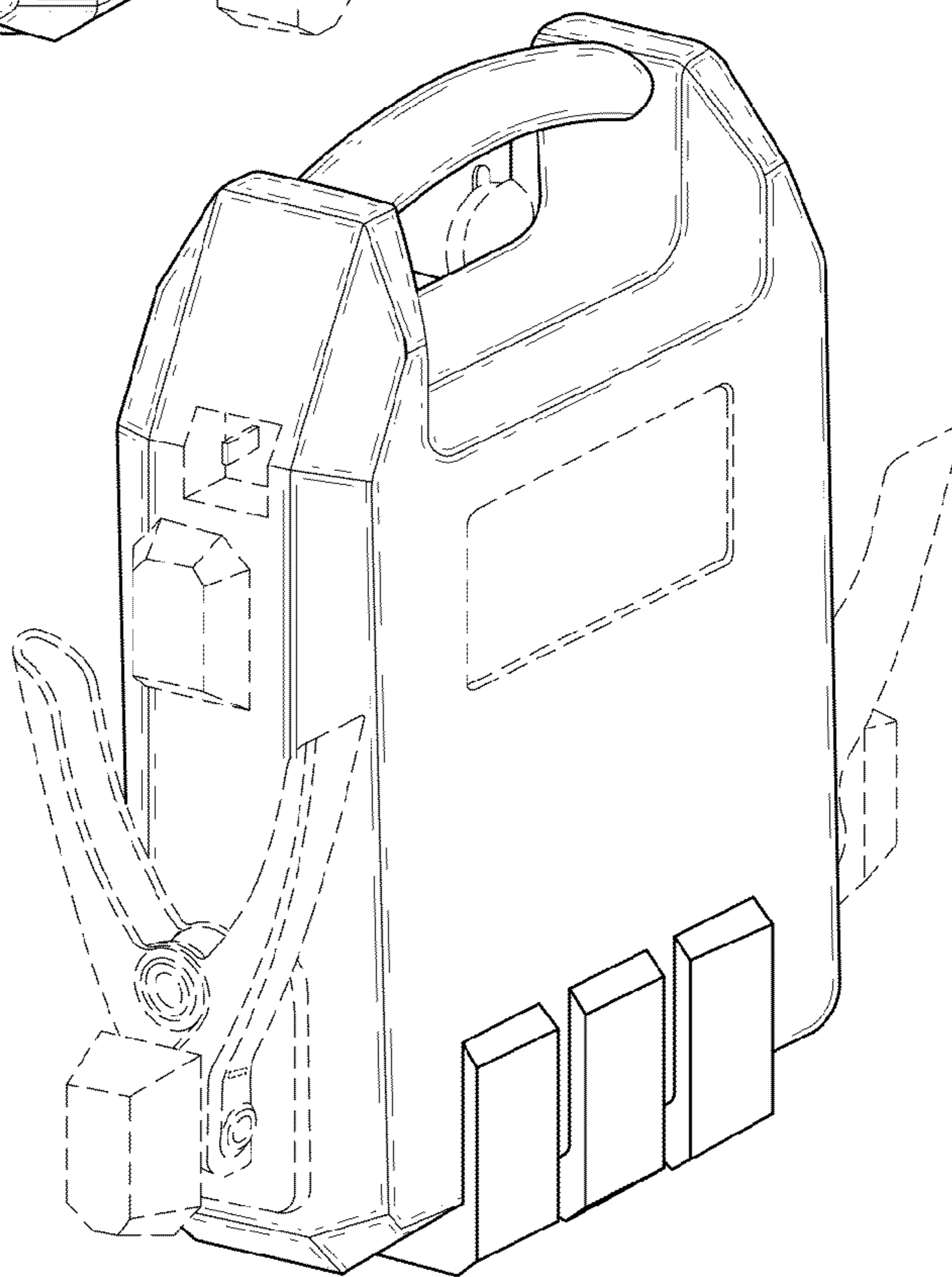


FIG. 8