



US00D722953S

(12) **United States Design Patent**
Hayashi

(10) **Patent No.:** **US D722,953 S**

(45) **Date of Patent:** **** Feb. 24, 2015**

(54) **BATTERY FOR DIGITAL CAMERA**

(71) Applicant: **Samsung Electronics Co., Ltd.**,
Suwon-si (KR)

(72) Inventor: **Haruo Hayashi**, Seoul (KR)

(73) Assignee: **Samsung Electronics Co., Ltd.**,
Suwon-si (KR)

(**) Term: **14 Years**

(21) Appl. No.: **29/472,724**

(22) Filed: **Nov. 15, 2013**

(30) **Foreign Application Priority Data**

May 15, 2013 (KR) 30-2013-0025612

(51) **LOC (10) Cl.** **13-02**

(52) **U.S. Cl.**
USPC **D13/103**

(58) **Field of Classification Search**
USPC D13/102-104, 110, 118-121, 184, 199;
429/96-100, 163, 176
See application file for complete search history.

(56) **References Cited**

U.S. PATENT DOCUMENTS

D372,701 S *	8/1996	Tahmassebpur	D13/103
D400,494 S *	11/1998	Blase	D13/103
D406,258 S *	3/1999	Segers	D13/103
D409,559 S *	5/1999	Shim	D13/103
D409,560 S *	5/1999	Shim	D13/103
D417,860 S *	12/1999	Lau	D13/103
6,228,528 B1 *	5/2001	Burkholder et al.	429/163
D491,888 S *	6/2004	Lee	D13/103
D509,791 S *	9/2005	Dworschak	D13/110
7,105,247 B2 *	9/2006	Suzuki	429/96
D539,734 S *	4/2007	Brady et al.	D13/110
7,390,590 B2 *	6/2008	Wani et al.	429/96
D623,126 S *	9/2010	Contreras	D13/103

D654,021 S *	2/2012	Sweeney et al.	D13/110
D674,332 S *	1/2013	Tanaka	D13/103
D683,696 S *	6/2013	Woodard et al.	D13/103
D688,622 S *	8/2013	Schulz et al.	D13/103
D700,138 S *	2/2014	Walz et al.	D13/103
2002/0127468 A1 *	9/2002	Wani et al.	429/96
2011/0293979 A1 *	12/2011	Igarashi	429/99
2013/0136971 A1 *	5/2013	Igarashi	429/99

* cited by examiner

Primary Examiner — Rosemary K Tarcza

(74) *Attorney, Agent, or Firm* — NSIP Law

(57) **CLAIM**

The ornamental design for a battery for digital camera, as shown and described.

DESCRIPTION

FIG. 1 is a front perspective view of a battery for digital camera showing my new design;
 FIG. 2 is a front view thereof;
 FIG. 3 is a rear view thereof;
 FIG. 4 is a left-side view thereof;
 FIG. 5 is a right-side view thereof;
 FIG. 6 is a top view thereof;
 FIG. 7 is a bottom view thereof;
 FIG. 8 is another front perspective view the battery for digital camera in which a digital camera in broken lines is provided to illustrate an example environment;
 FIG. 9 is an enlarged view of the encircled portion as shown in FIG. 1; and,
 FIG. 10 is an enlarged view of the encircled portion as shown in FIG. 1.
 The broken lines illustrating portions of the battery for digital camera are for environmental purposes only and form no part of the claimed design.
 The dot-dash broken lines encircling portions of the claimed design that are illustrated in enlargement form no part of the claimed design.

1 Claim, 7 Drawing Sheets

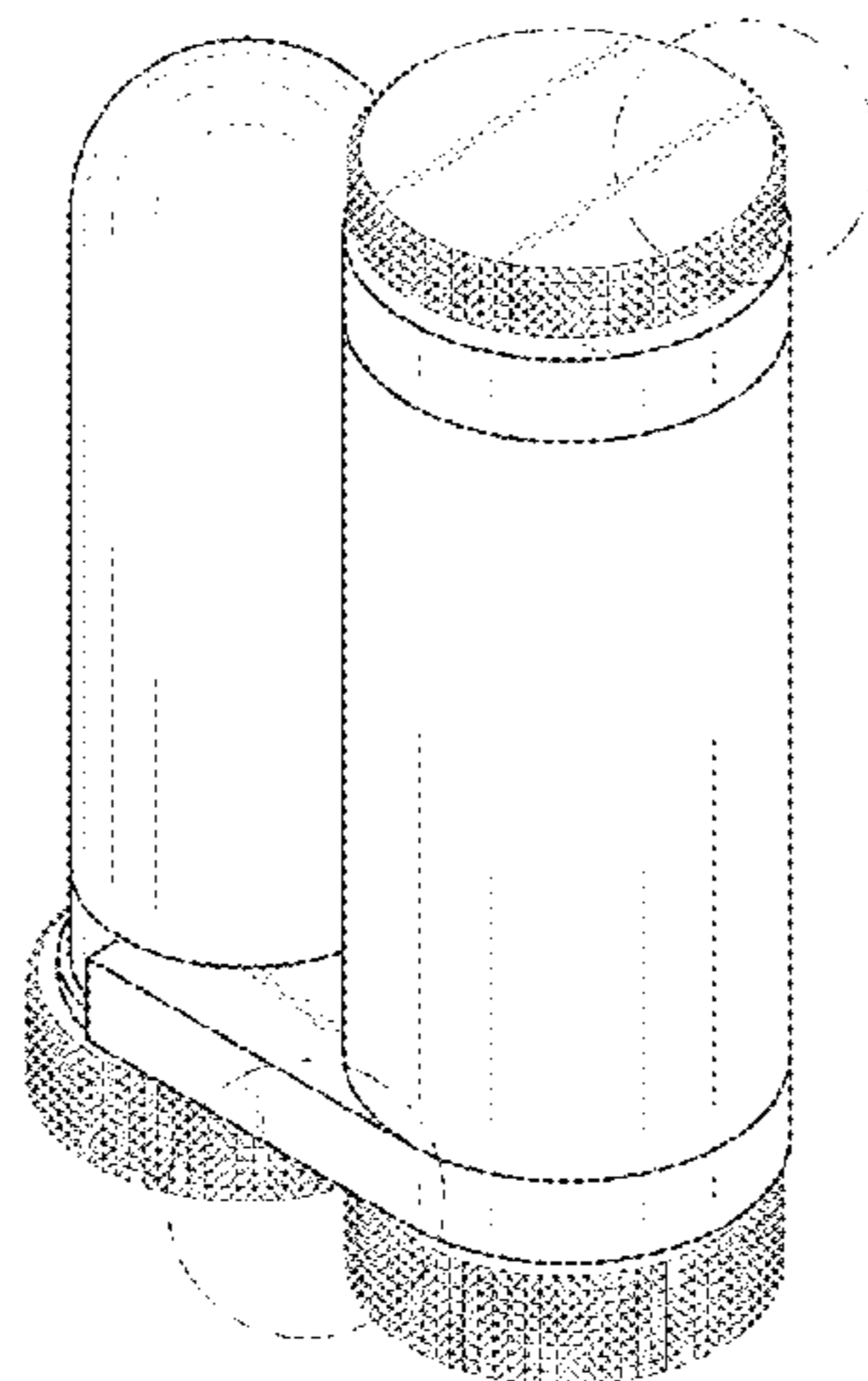


FIG. 1

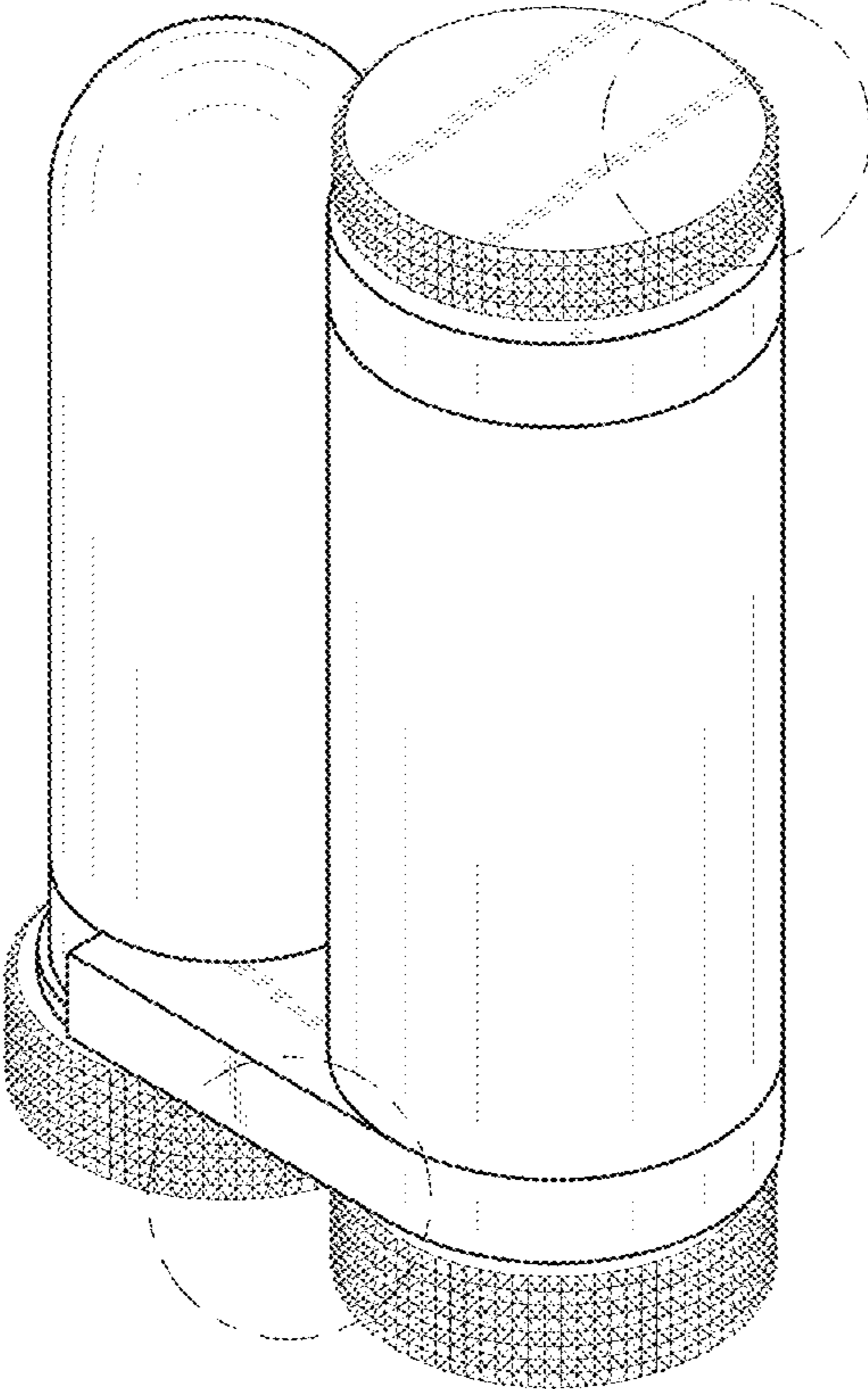


FIG.2

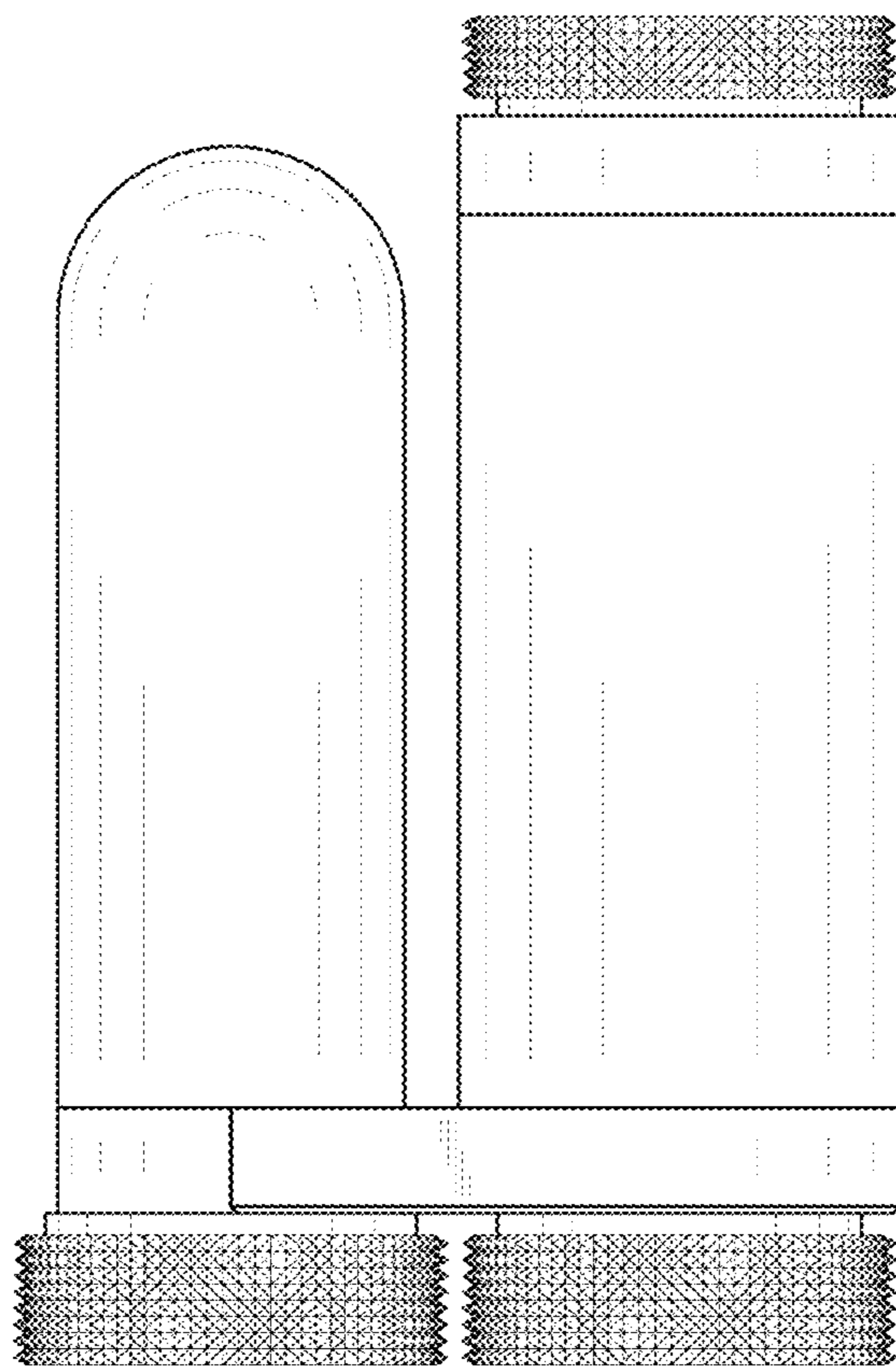


FIG.3

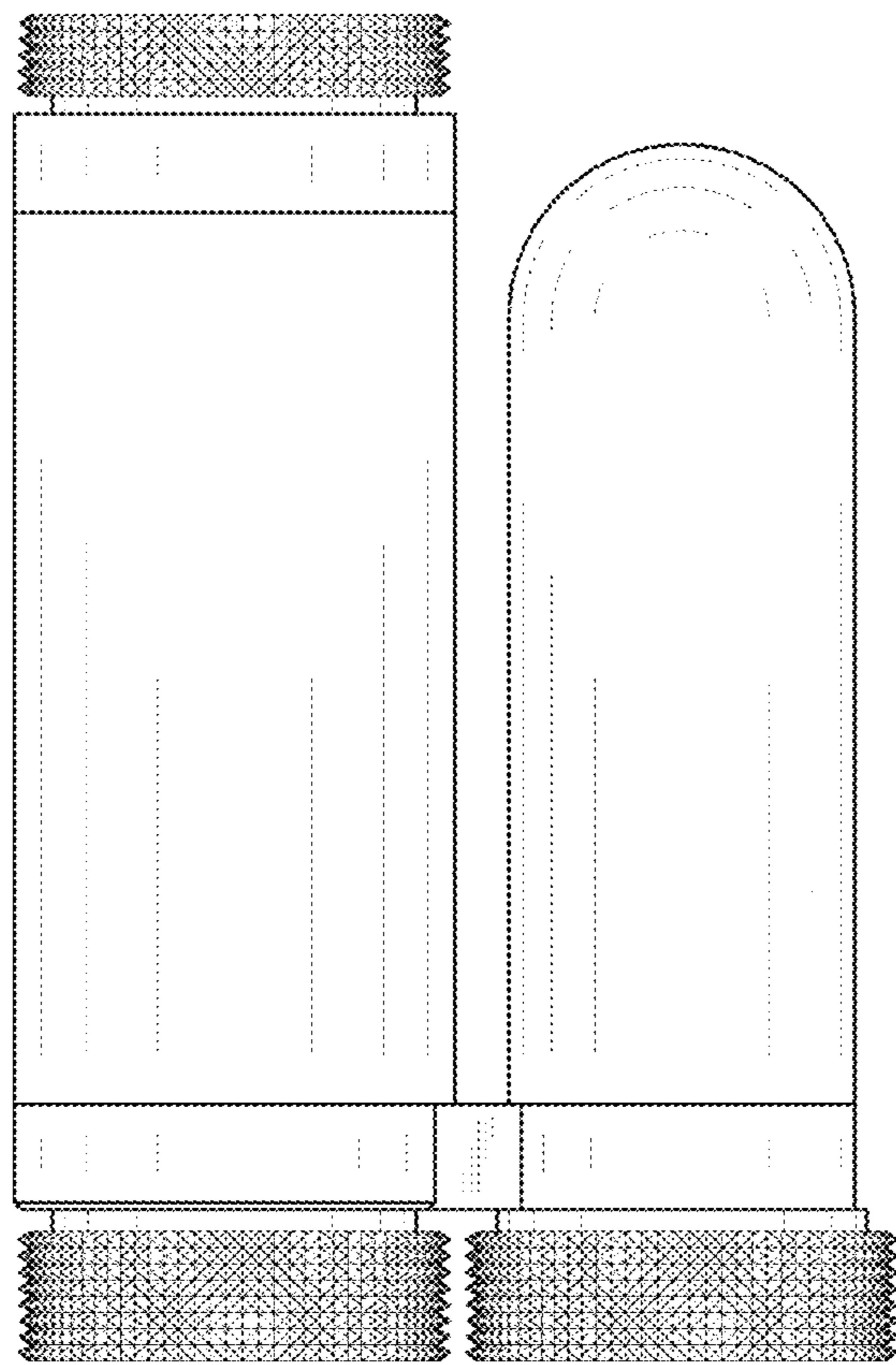


FIG.4

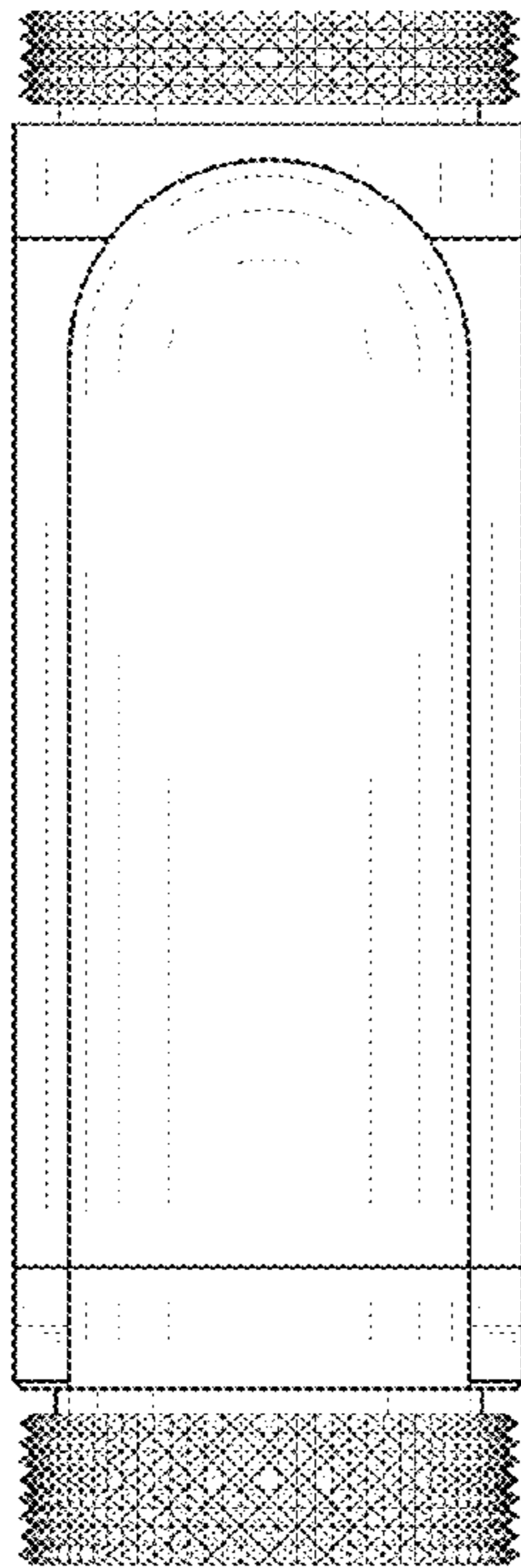


FIG.5

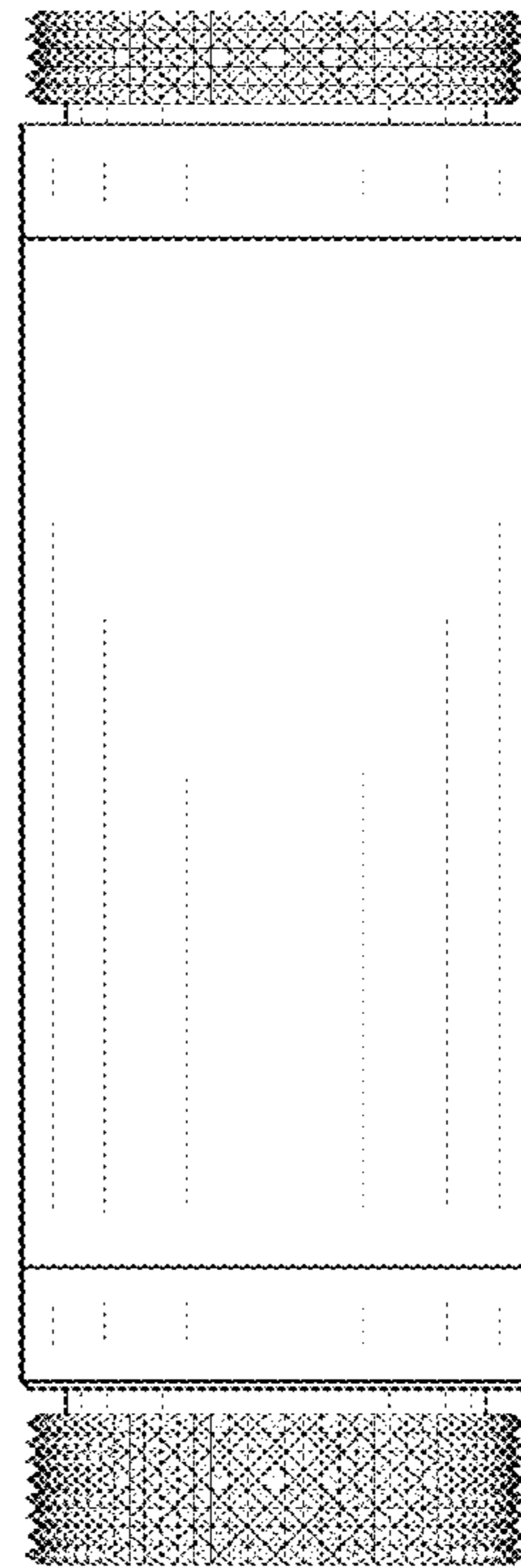


FIG.6

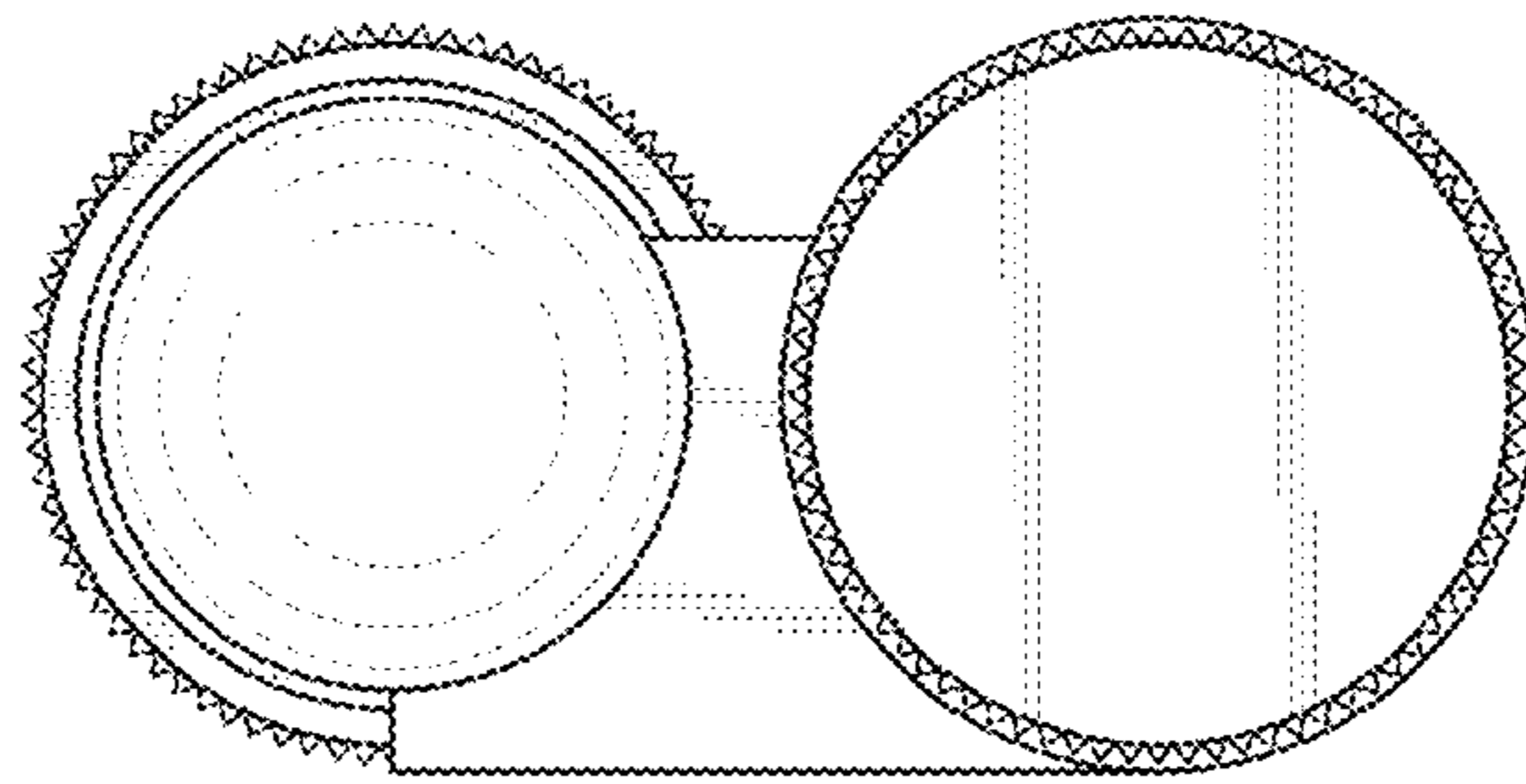


FIG.7

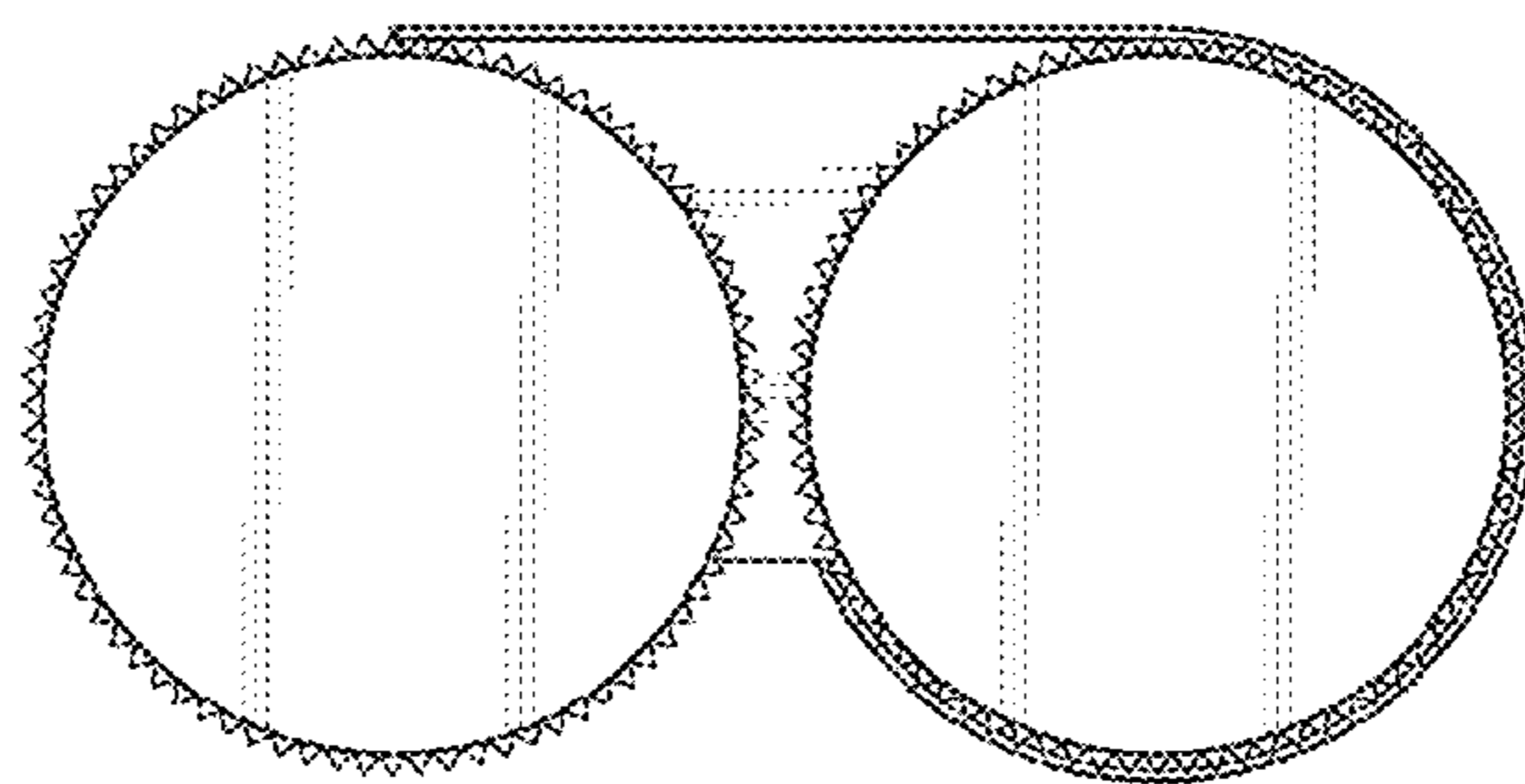


FIG.8

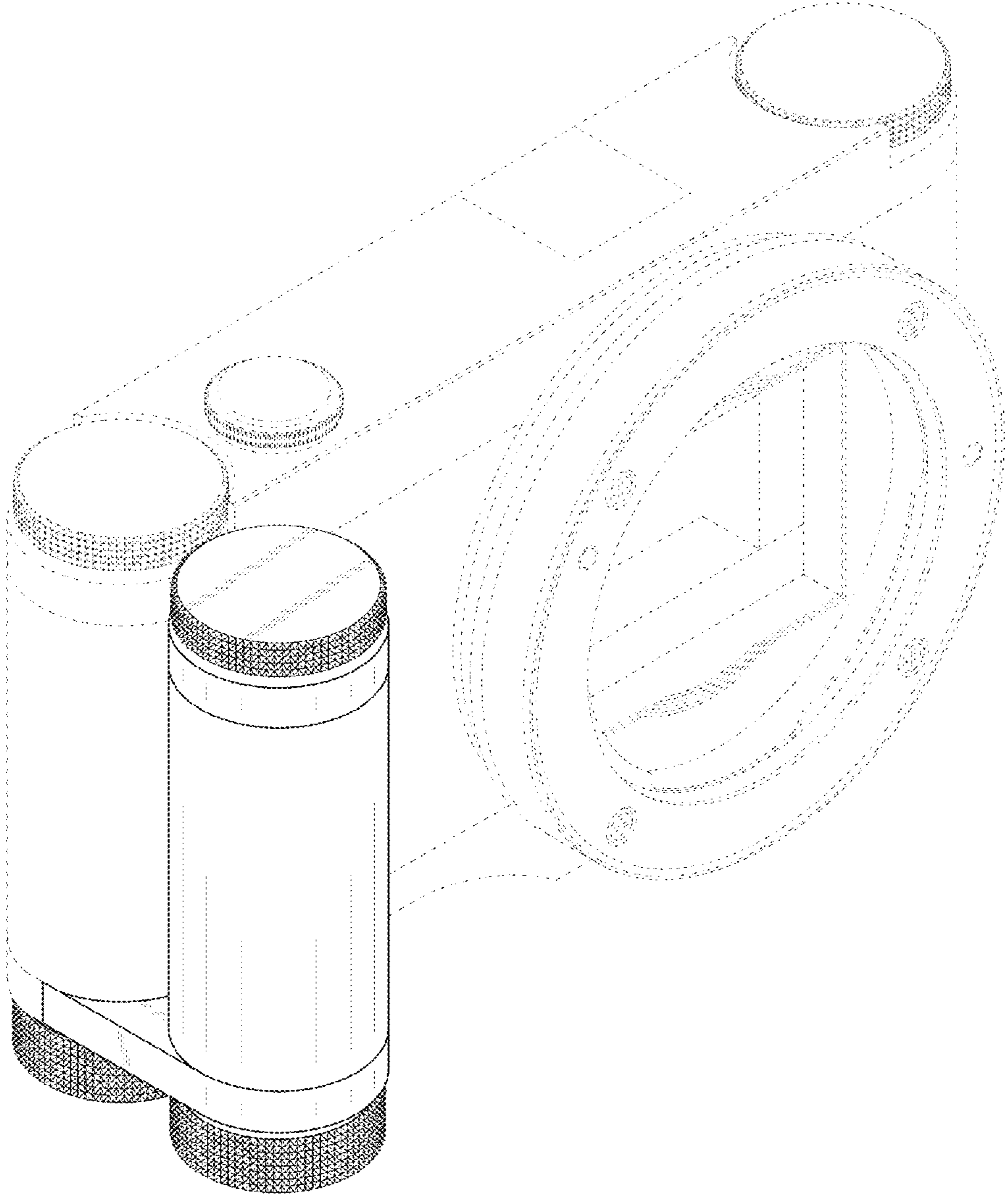


FIG.9

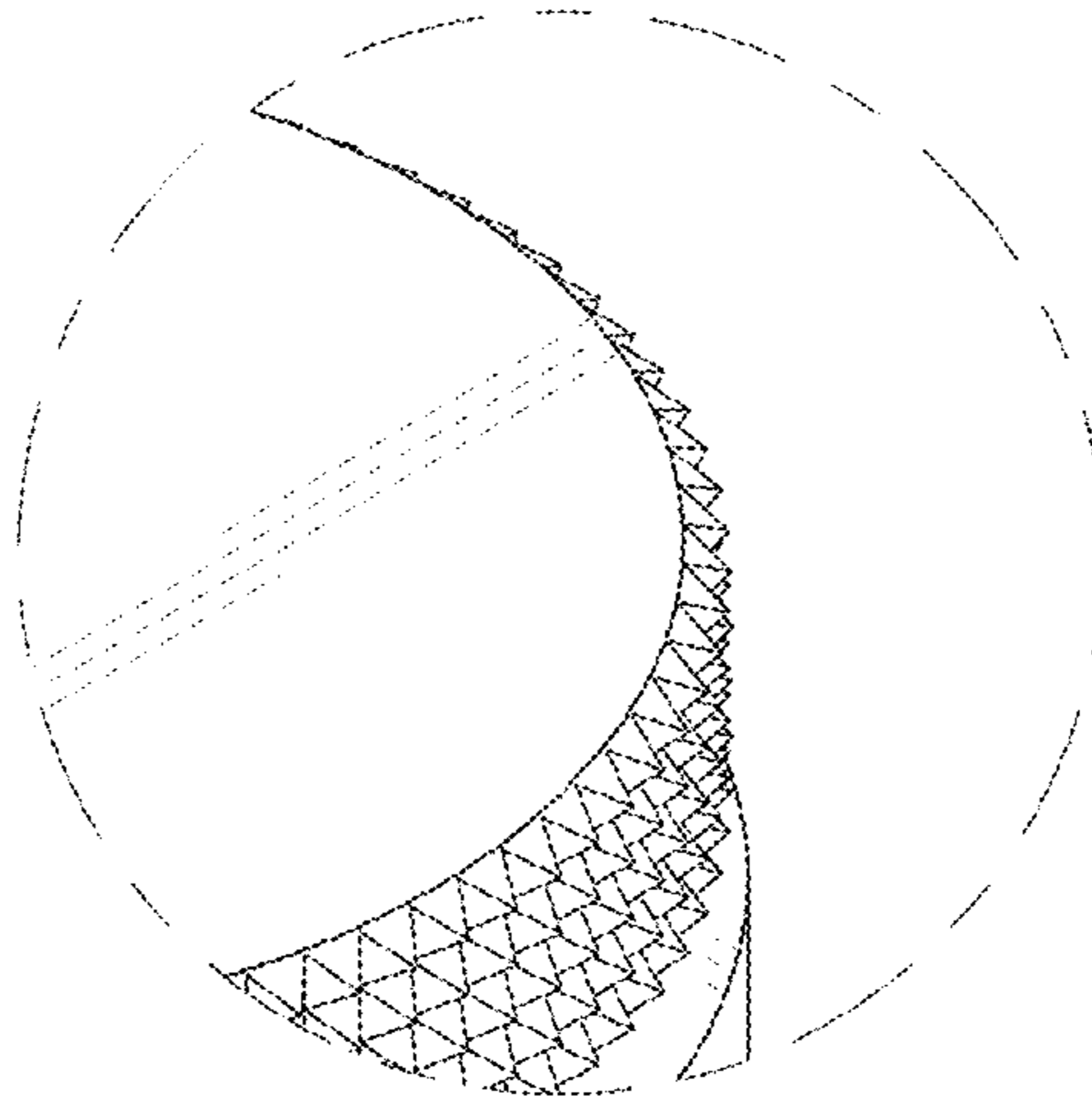


FIG.10

