



US00D722947S

(12) **United States Design Patent**
Nemoto et al.

(10) **Patent No.:** **US D722,947 S**

(45) **Date of Patent:** **** Feb. 24, 2015**

(54) **PNEUMATIC TIRE**

(75) Inventors: **Fumitaka Nemoto**, Gunma (JP); **Kohei Moribe**, Gunma (JP); **Kazutaka Yokokawa**, Gunma (JP)

(73) Assignees: **Compagnie Generale des Etablissements Michelin** (FR); **Michelin Recherche et Technique** (CH)

(**) Term: **14 Years**

(21) Appl. No.: **29/422,530**

(22) Filed: **May 22, 2012**

(30) **Foreign Application Priority Data**

Nov. 22, 2011 (FR) 11 5609

(51) **LOC (10) Cl.** **12-15**

(52) **U.S. Cl.**
USPC **D12/528**

(58) **Field of Classification Search**
USPC D12/505-532, 900-901;
152/209.1-209.9, 209.11-209.19,
152/209.21-209.28, 455
See application file for complete search history.

(56) **References Cited**

U.S. PATENT DOCUMENTS

D403,628 S * 1/1999 Muhlhoff et al. D12/532
D515,020 S * 2/2006 Fukunaga D12/521
D564,440 S * 3/2008 Larregain et al. D12/528
D611,890 S * 3/2010 Lessmann D12/527

D645,392 S * 9/2011 Hutz et al. D12/532
D647,459 S * 10/2011 Bervas et al. D12/532
D656,889 S * 4/2012 Grolier et al. D12/527
D678,176 S * 3/2013 Park et al. D12/531
D684,520 S * 6/2013 Fu D12/532
D686,138 S * 7/2013 Chartier et al. D12/521
D686,139 S * 7/2013 Chartier et al. D12/521
D709,434 S * 7/2014 Kato D12/521
D713,326 S * 9/2014 Fontaine et al. D12/532

* cited by examiner

Primary Examiner — Stacia Cadmus

(74) *Attorney, Agent, or Firm* — Dickinson Wright PLLC

(57) **CLAIM**

The ornamental design for a pneumatic tire, as shown and described.

DESCRIPTION

FIG. 1 is a front perspective view of a pneumatic tire showing our new design.

FIG. 2 is a front elevational view thereof.

FIG. 3 is a left side elevational view thereof.

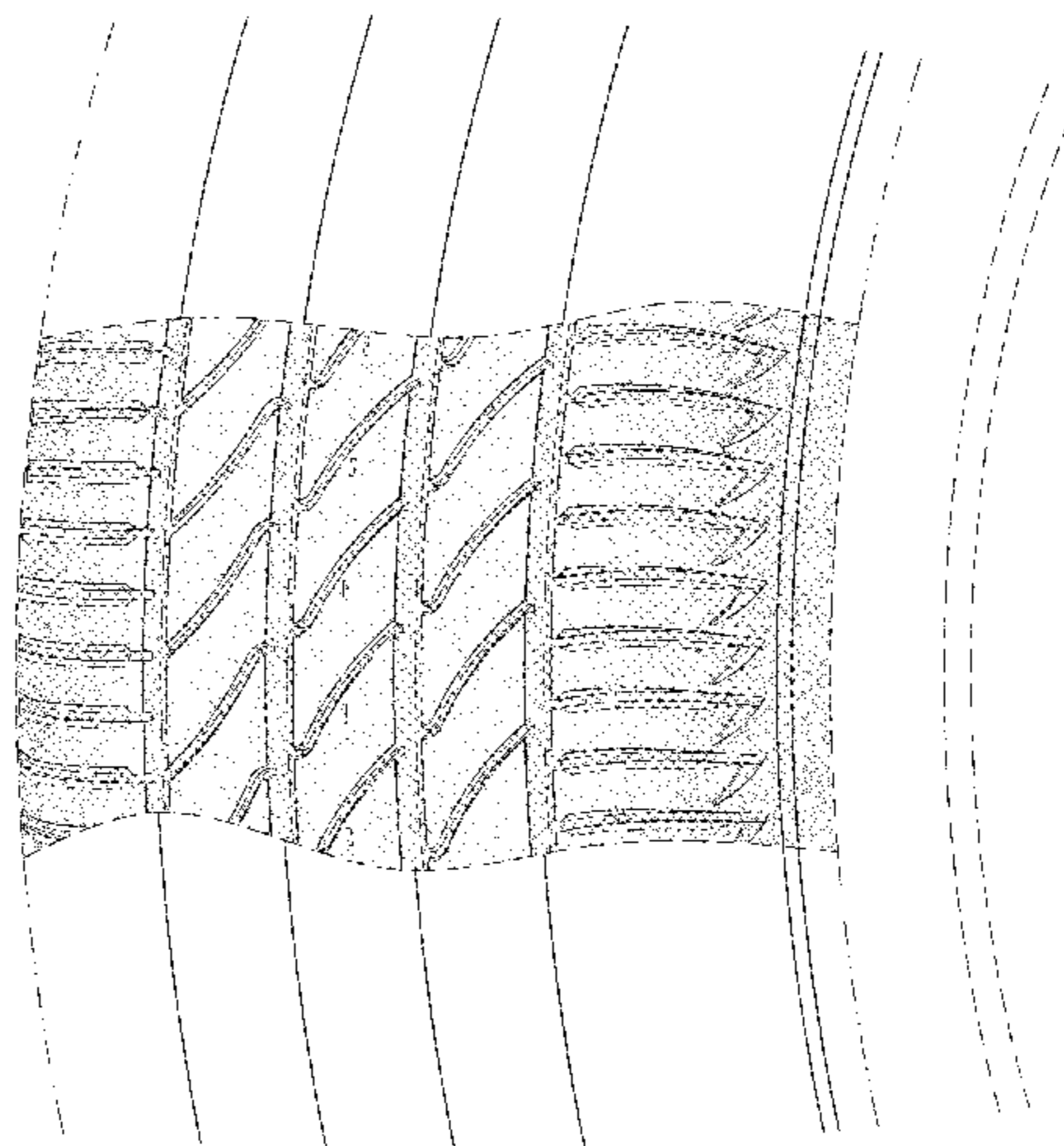
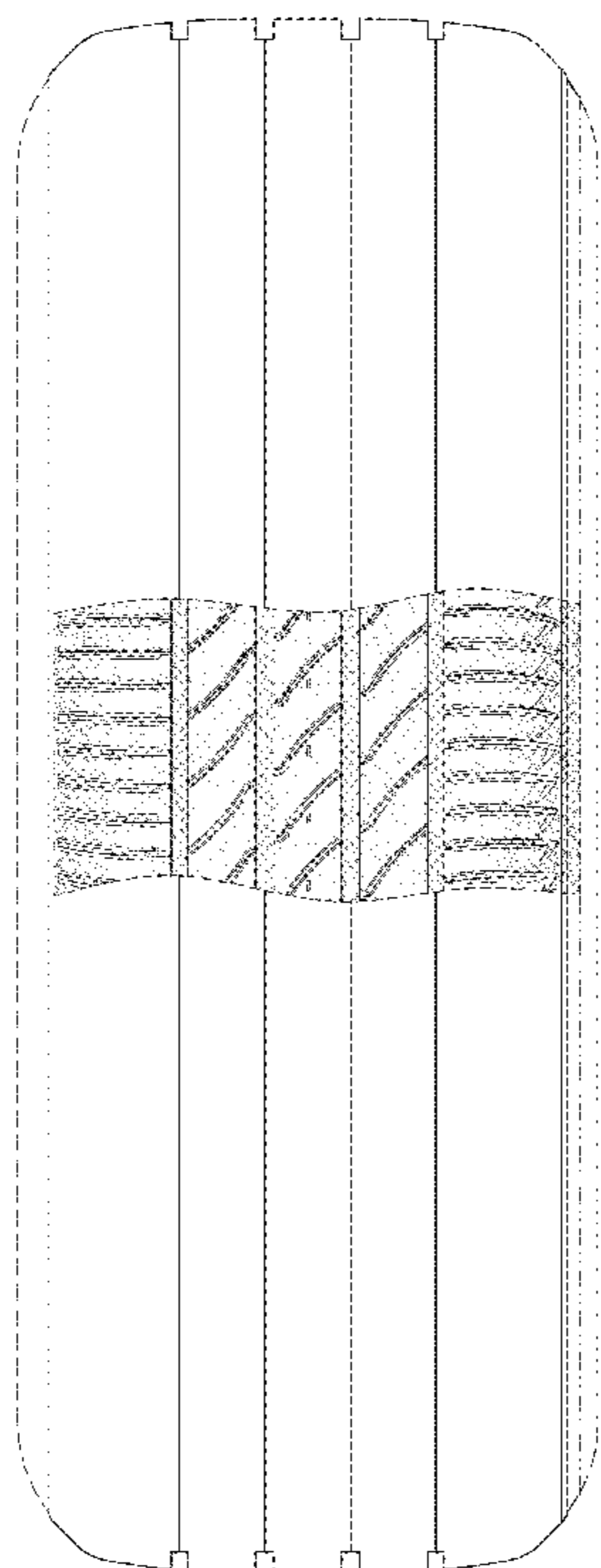
FIG. 4 is a right side elevational view thereof; and,

FIG. 5 is an enlarged front perspective view of a portion thereof.

In the drawings, the broken lines defining the sidewall, inner bead and the unclaimed sidewall depict environmental subject matter that forms no part of the claimed design. The dash-dot lines represent the peripheral boundary between the claimed tire tread and unclaimed sidewall.

The tread pattern is understood to repeat uniformly throughout the circumference of the tire, as shown schematically in solid lines.

1 Claim, 5 Drawing Sheets



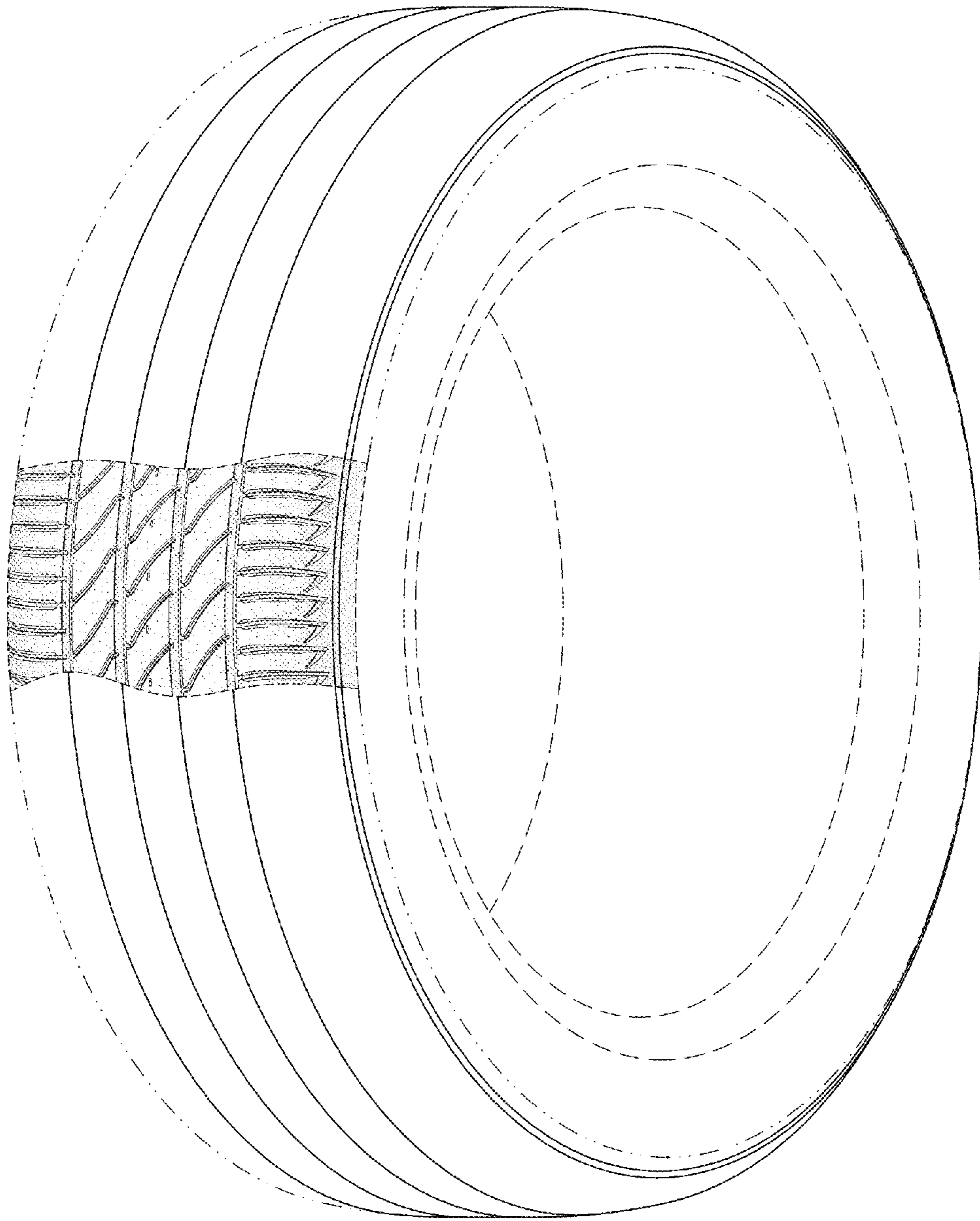


FIG. 1

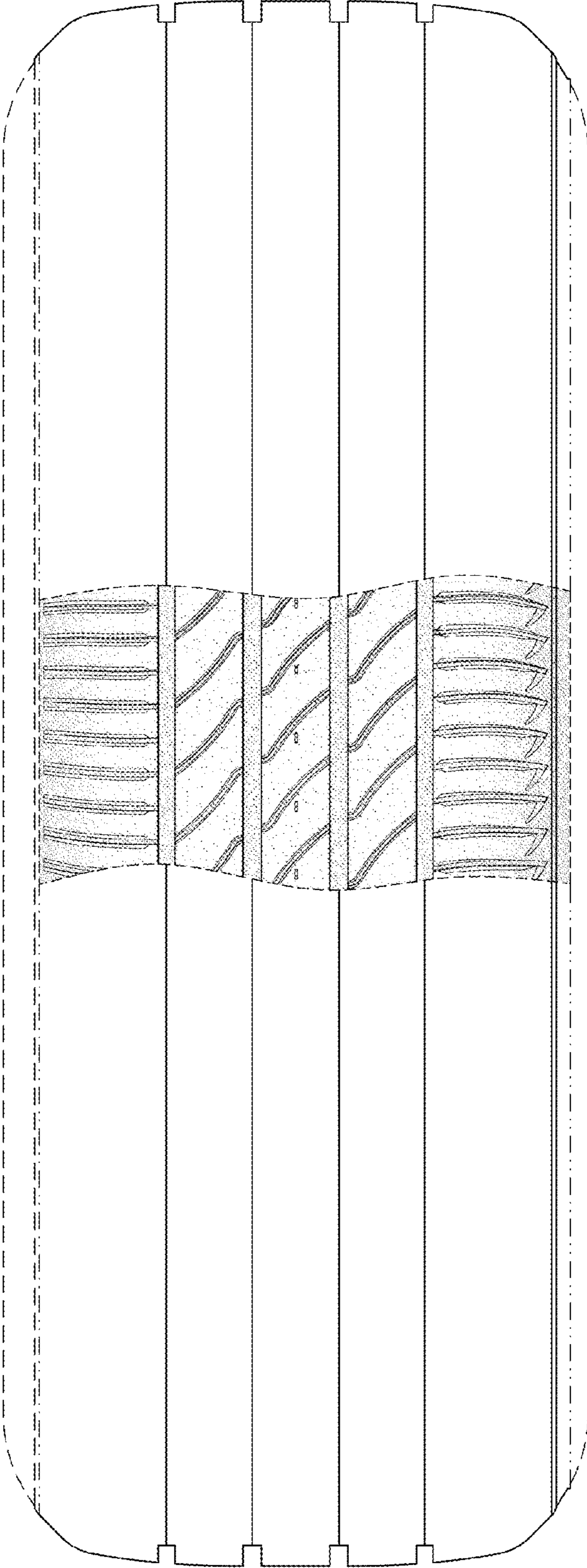


FIG. 2

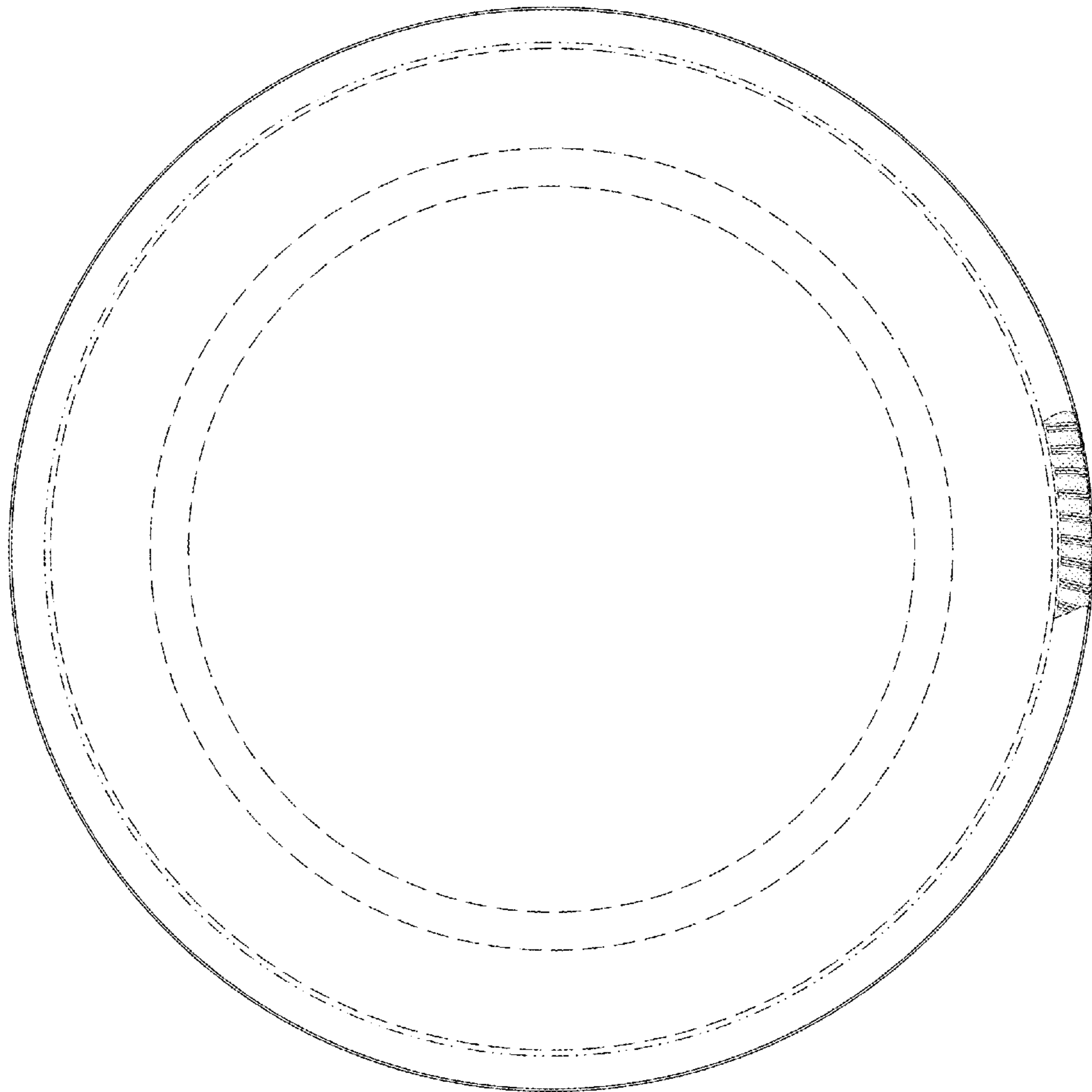


FIG. 3

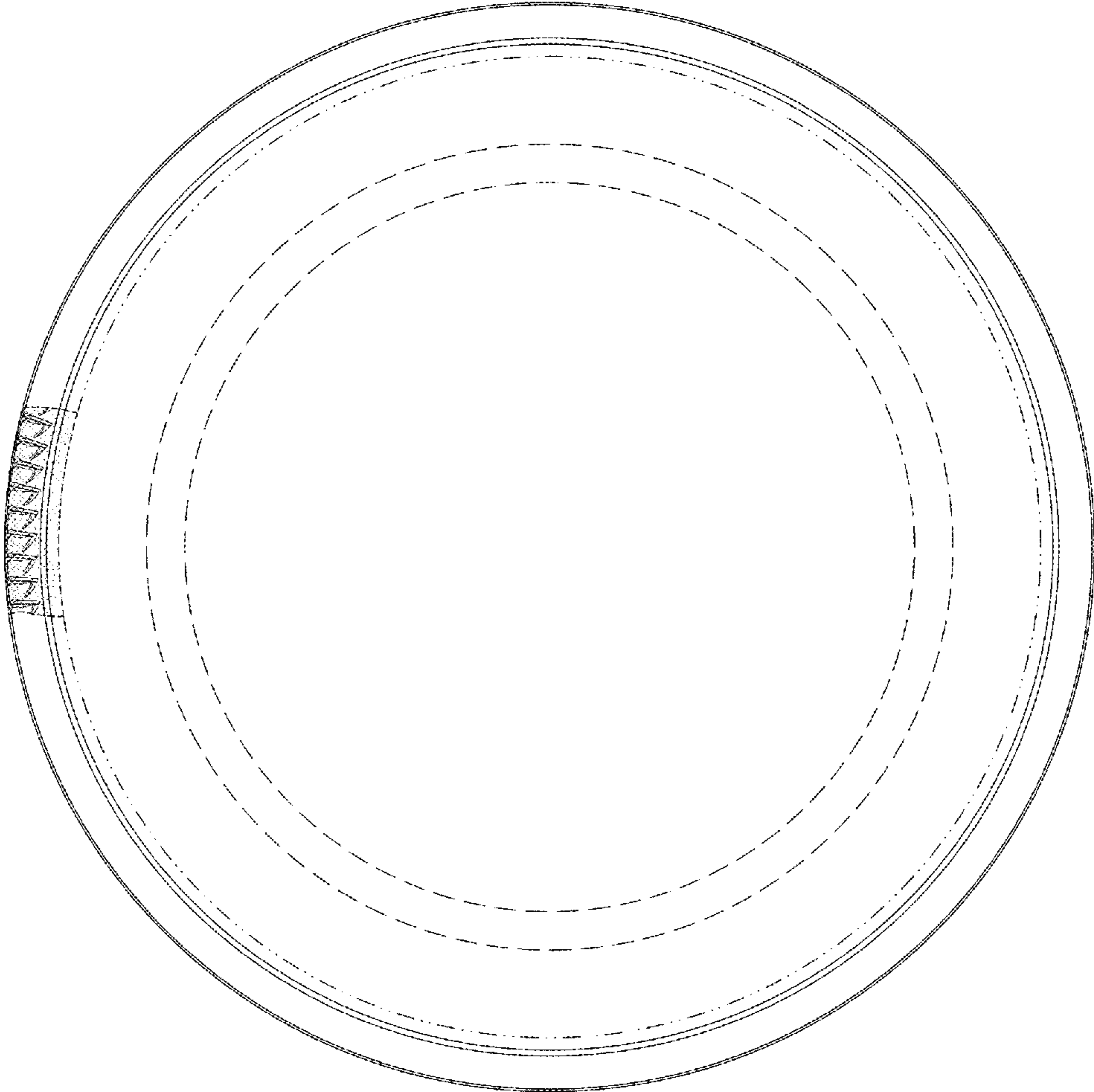


FIG. 4

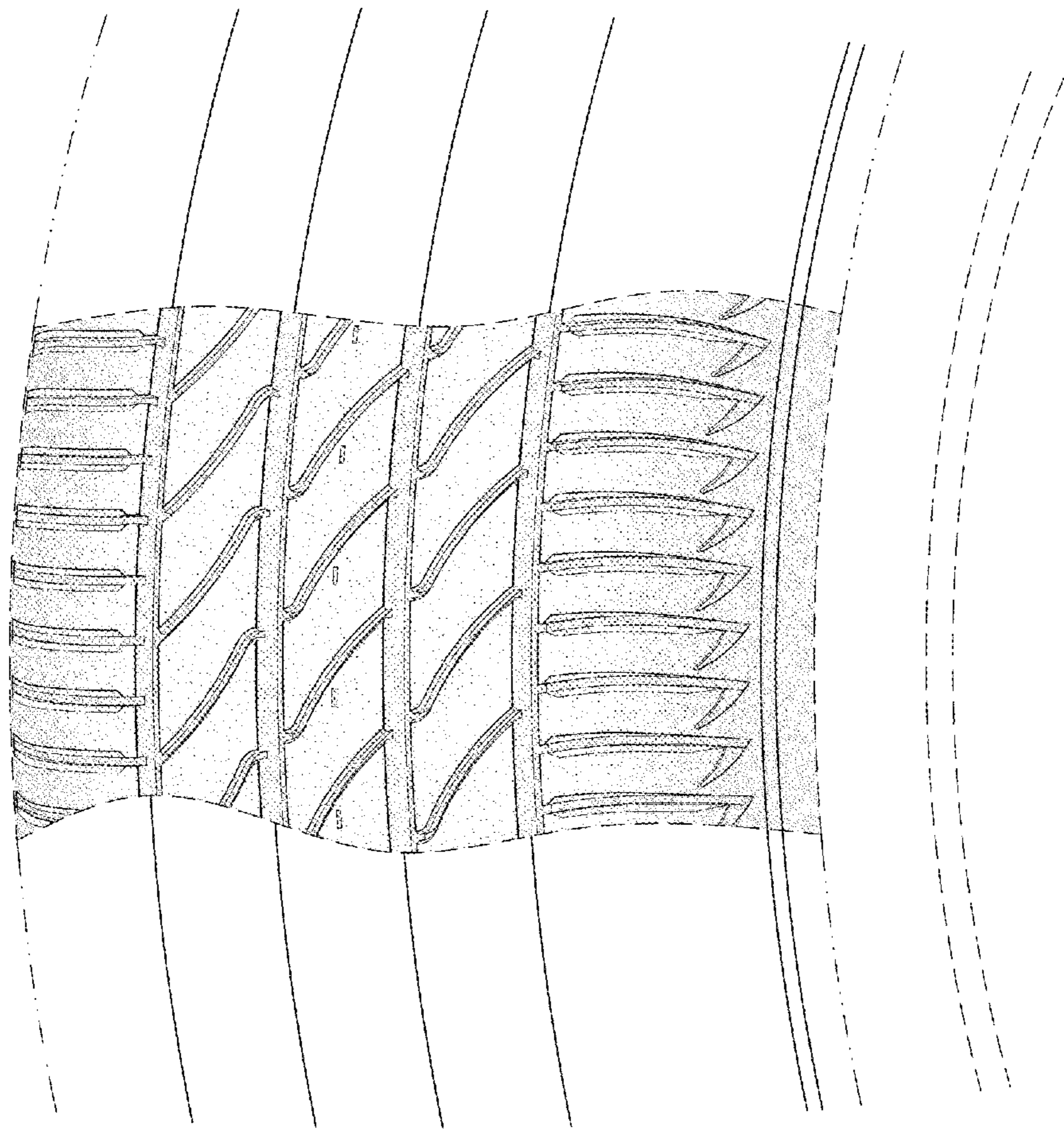


FIG. 5